

CORRECTED VERSION

(19) World Intellectual Property Organization
International Bureau



(10) International Publication Number
WO 2012/143690 A8

(43) International Publication Date
26 October 2012 (26.10.2012)

- (51) International Patent Classification:
B09B 3/00 (2006.01) F23G 5/08 (2006.01)
B09C 1/06 (2006.01) F23G 7/14 (2006.01)
- (21) International Application Number:
PCT/GB2012/000374
- (22) International Filing Date:
23 April 2012 (23.04.2012)
- (25) Filing Language: English
- (26) Publication Language: English
- (30) Priority Data:
1106960.6 21 April 2011 (21.04.2011) GB
- (71) Applicant (for all designated States except US): TETR-ONICS (INTERNATIONAL) LIMITED [GB/GB]; A2 Marston Gate, Stirling Road, South Marston Business Park, Swindon SN3 4DE (GB).

AO, AT, AU, AZ, BA, BB, BG, BH, BR, BW, BY, BZ, CA, CH, CL, CN, CO, CR, CU, CZ, DE, DK, DM, DO, DZ, EC, EE, EG, ES, FI, GB, GD, GE, GH, GM, GT, HN, HR, HU, ID, IL, IN, IS, JP, KE, KG, KM, KN, KP, KR, KZ, LA, LC, LK, LR, LS, LT, LU, LY, MA, MD, ME, MG, MK, MN, MW, MX, MY, MZ, NA, NG, NI, NO, NZ, OM, PE, PG, PH, PL, PT, QA, RO, RS, RU, RW, SC, SD, SE, SG, SK, SL, SM, ST, SV, SY, TH, TJ, TM, TN, TR, TT, TZ, UA, UG, US, UZ, VC, VN, ZA, ZM, ZW.

(84) Designated States (unless otherwise indicated, for every kind of regional protection available): ARIPO (BW, GH, GM, KE, LR, LS, MW, MZ, NA, RW, SD, SL, SZ, TZ, UG, ZM, ZW), Eurasian (AM, AZ, BY, KG, KZ, MD, RU, TJ, TM), European (AL, AT, BE, BG, CH, CY, CZ, DE, DK, EE, ES, FI, FR, GB, GR, HR, HU, IE, IS, IT, LT, LU, LV, MC, MK, MT, NL, NO, PL, PT, RO, RS, SE, SI, SK, SM, TR), OAPI (BF, BJ, CF, CG, CI, CM, GA, GN, GQ, GW, ML, MR, NE, SN, TD, TG).

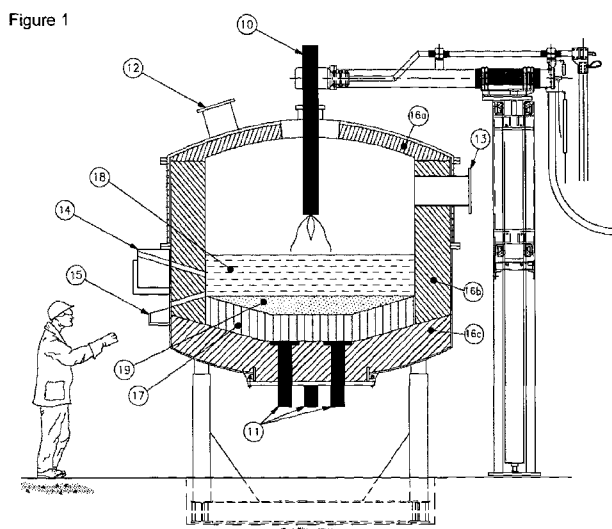
- (72) Inventors; and
- (75) Inventors/Applicants (for US only): DEEGAN, David [GB/GB]; 34 Calais Dene, Bampton, Oxfordshire OX182NR (GB). ZHANG, Fan [GB/GB]; 20 Finchdale, Covington Park, Swindon, Wiltshire SN3 5AL (GB).
- (74) Agents: SETNA, Rohan P. et al.; Boulton Wade Tennant, Verulam Gardens, 70 Gray's Inn Road, London WC1X 8BT (GB).
- (81) Designated States (unless otherwise indicated, for every kind of national protection available): AE, AG, AL, AM,

Published:
— with international search report (Art. 21(3))

(48) Date of publication of this corrected version:
14 November 2013

(15) Information about Correction:
see Notice of 14 November 2013

(54) Title: TREATMENT OF WASTE



(57) Abstract: The present invention provides a method for the treatment of waste comprising one or more hazardous organic components, the method comprising plasma treating a waste in a plasma treatment unit; wherein the waste comprises: (i) a soil and/or aggregate material; and (ii) an oil component; and wherein, before plasma treating the waste, the waste comprises one or more hazardous organic components and from 5 to 50% water by weight of the waste.

WO 2012/143690 A8