

[54] MICROWAVE OVEN

D. 269,149 5/1983 Miyake et al. D7/351

[75] Inventors: Hiroshi Fujii; Hiroshi Moritani; Masakazu Sugiyama; Wataru Iwahashi, all of Osaka, Japan

Primary Examiner—Wallace R. Burke
Assistant Examiner—Lynn Wilder
Attorney, Agent, or Firm—Flehr, Hohbach, Test, Albritton & Herbert

[73] Assignee: Sharp Corporation, Osaka, Japan

[57] CLAIM

[**] Term: 14 Years

The ornamental design for a microwave oven, as shown and described.

[21] Appl. No.: 555,956

DESCRIPTION

[22] Filed: Nov. 29, 1983

[52] U.S. Cl. D7/351

[58] Field of Search D7/351; 99/324-327, 99/330, 331; 126/1 R, 19 R, 273 R, 275 R; 219/10.55 R, 10.55 B

FIG. 1 is a perspective view of the microwave oven showing our new design;

FIG. 2 is a front elevational view thereof with the door closed;

FIG. 3 is a front elevational view thereof with the door open;

FIG. 4 is a rear elevational view thereof;

FIG. 5 is a bottom plan view thereof;

FIG. 6 is a top plan view thereof;

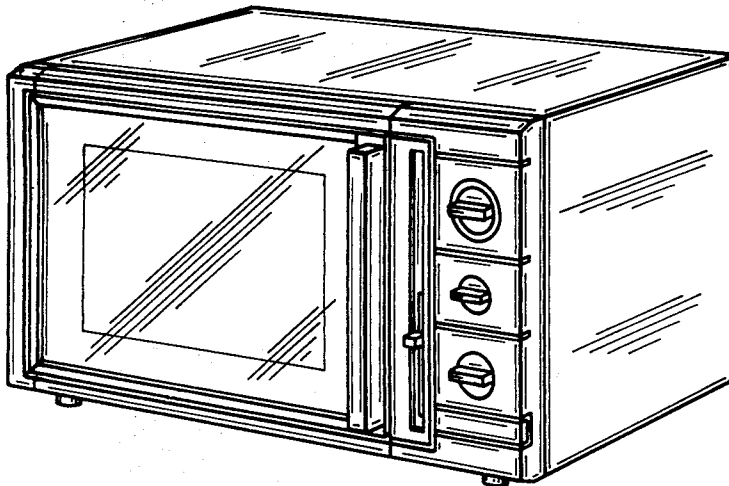
FIG. 7 is a left side elevational view thereof; and

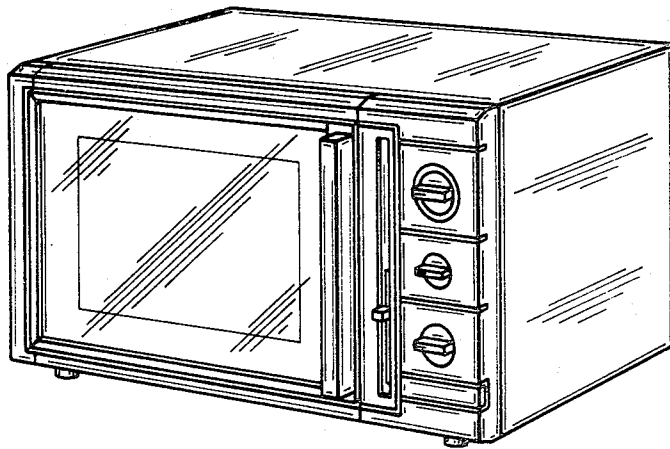
FIG. 8 is a right side elevational view thereof.

[56] References Cited

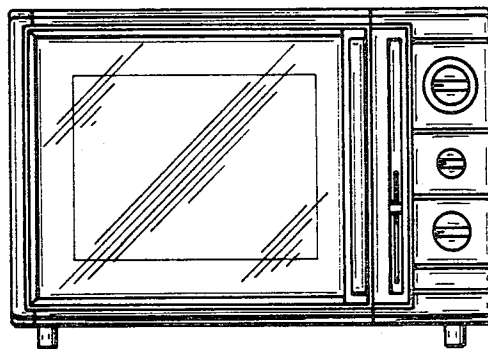
U.S. PATENT DOCUMENTS

- D. 266,642 10/1982 Harada et al. D7/351
- D. 268,079 3/1983 Miyake et al. D7/351
- D. 268,081 3/1983 Haruguchi et al. D7/351

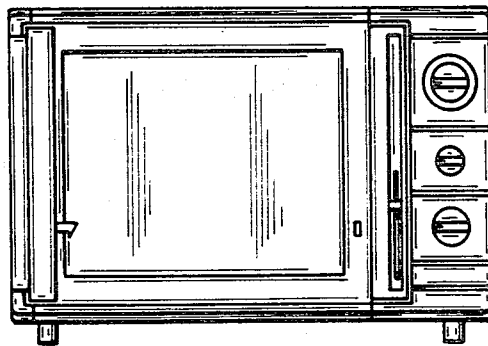




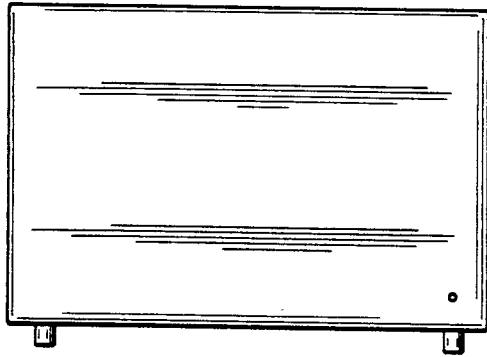
FIG_1



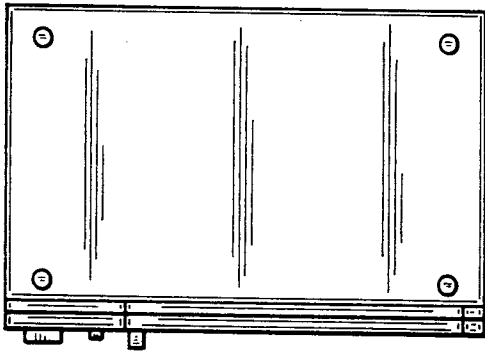
FIG_2



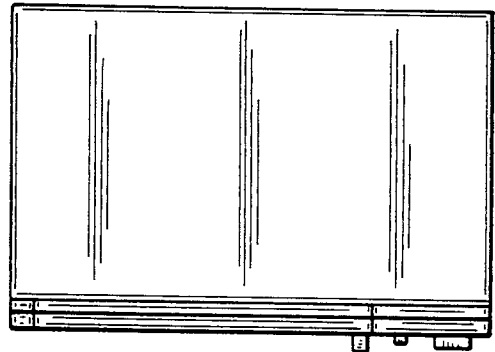
FIG_3



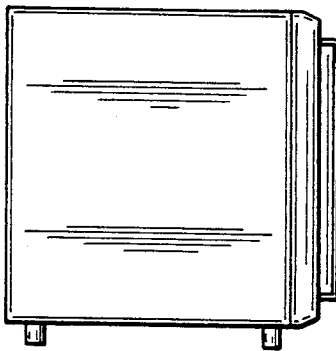
FIG_4



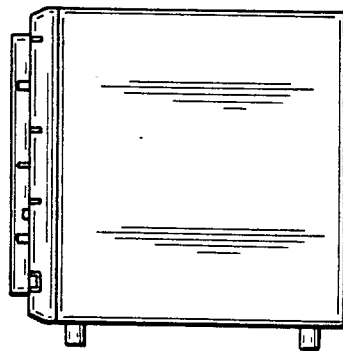
FIG_5



FIG_6



FIG_7



FIG_8