



US00D550710S

(12) **United States Design Patent**
Ichinose

(10) **Patent No.:** **US D550,710 S**

(45) **Date of Patent:** **** Sep. 11, 2007**

(54) **MP3 PLAYER**

(75) Inventor: **Tomoyoshi Ichinose**, Tokyo (JP)

(73) Assignee: **Samsung Electronics Co., Ltd.**,
Suwon-Si (KR)

(**) Term: **14 Years**

(21) Appl. No.: **29/264,115**

(22) Filed: **Aug. 4, 2006**

(30) **Foreign Application Priority Data**

Feb. 10, 2006 (KR) 30-2006-0005042

(51) **LOC (8) Cl.** **14-03**

(52) **U.S. Cl.** **D14/496**

(58) **Field of Classification Search** D14/496,
D14/401, 435, 474, 483, 217, 137, 138, 160,
D14/168; 345/156, 169, 173-179, 905; 715/727-729,
715/864; 455/11.1, 773, 344-347, 93, 95;
370/342-344; 369/1, 2, 6, 12; 463/43-47;
273/148 B

See application file for complete search history.

(56) **References Cited**

U.S. PATENT DOCUMENTS

D478,889 S * 8/2003 Kulkarni D14/160
6,669,092 B2 * 12/2003 Leanheart et al. 235/462.13
D490,068 S * 5/2004 Chen D14/156
6,769,603 B2 * 8/2004 Nagai et al. 235/375
D507,277 S * 7/2005 Sitoh D14/496

D511,347 S * 11/2005 Naruki D14/496
D515,099 S * 2/2006 Lee D14/496
D518,019 S * 3/2006 Ching D14/156
D520,517 S * 5/2006 Lee D14/496
D521,023 S * 5/2006 Kim et al. D14/496
7,046,230 B2 * 5/2006 Zadesky et al. 345/156

* cited by examiner

Primary Examiner—Prabhakar Deshmukh

(74) *Attorney, Agent, or Firm*—Staas & Halsey LLP

(57) **CLAIM**

The ornamental design for an MP3 player, as shown and described.

DESCRIPTION

FIG. 1 is a perspective view of an MP3 player according to my new design with its display unit in a shut position;

FIG. 2 is a front elevational view thereof;

FIG. 3 is a rear elevational view thereof;

FIG. 4 is a left side elevational view thereof;

FIG. 5 is a right side elevational view thereof;

FIG. 6 is a top plan view thereof;

FIG. 7 is a bottom plan view thereof; and,

FIG. 8 is a perspective view of the MP3 player according to my new design with its display unit in an open position showing that operation buttons under the display unit are exposed by sliding the display unit.

1 Claim, 7 Drawing Sheets

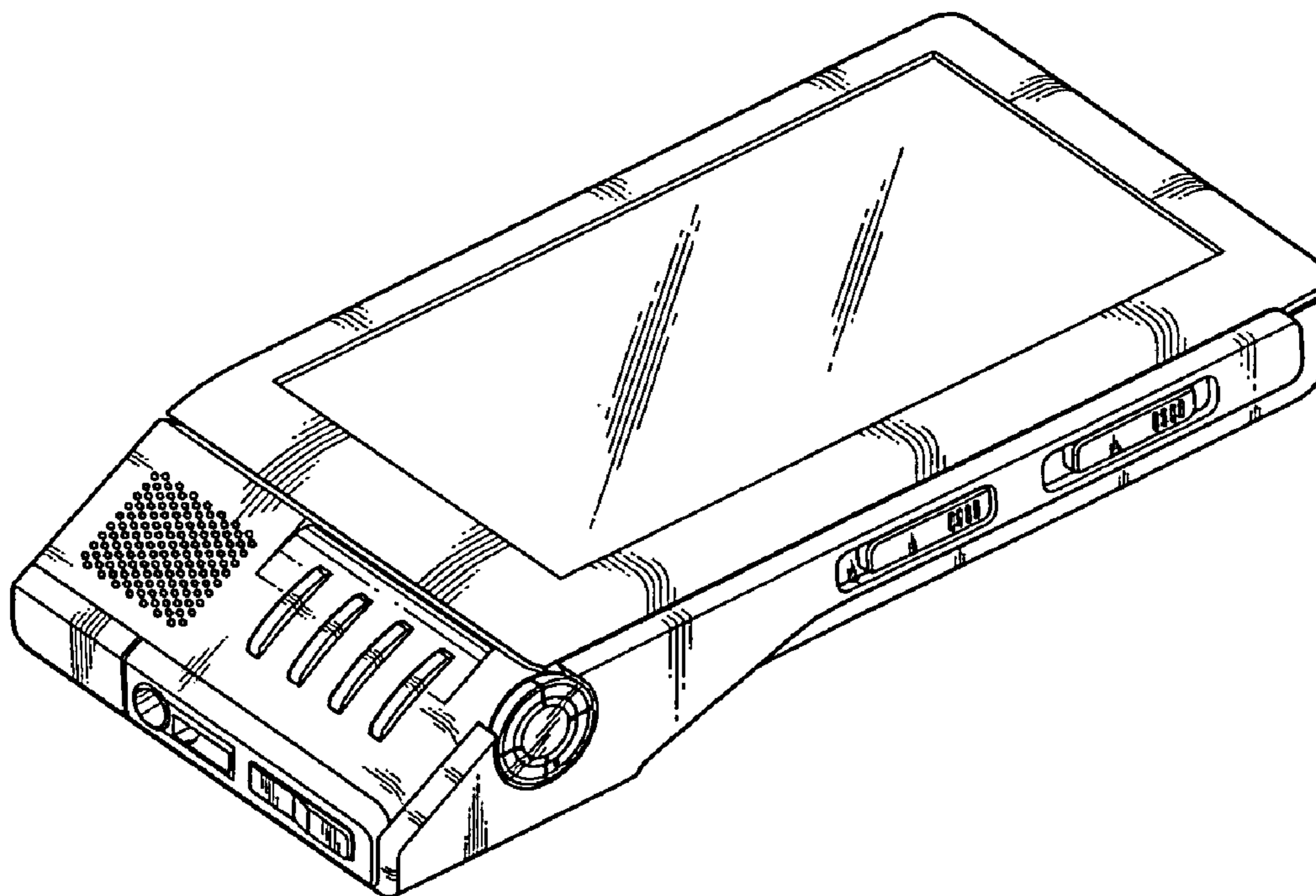


FIG. 1

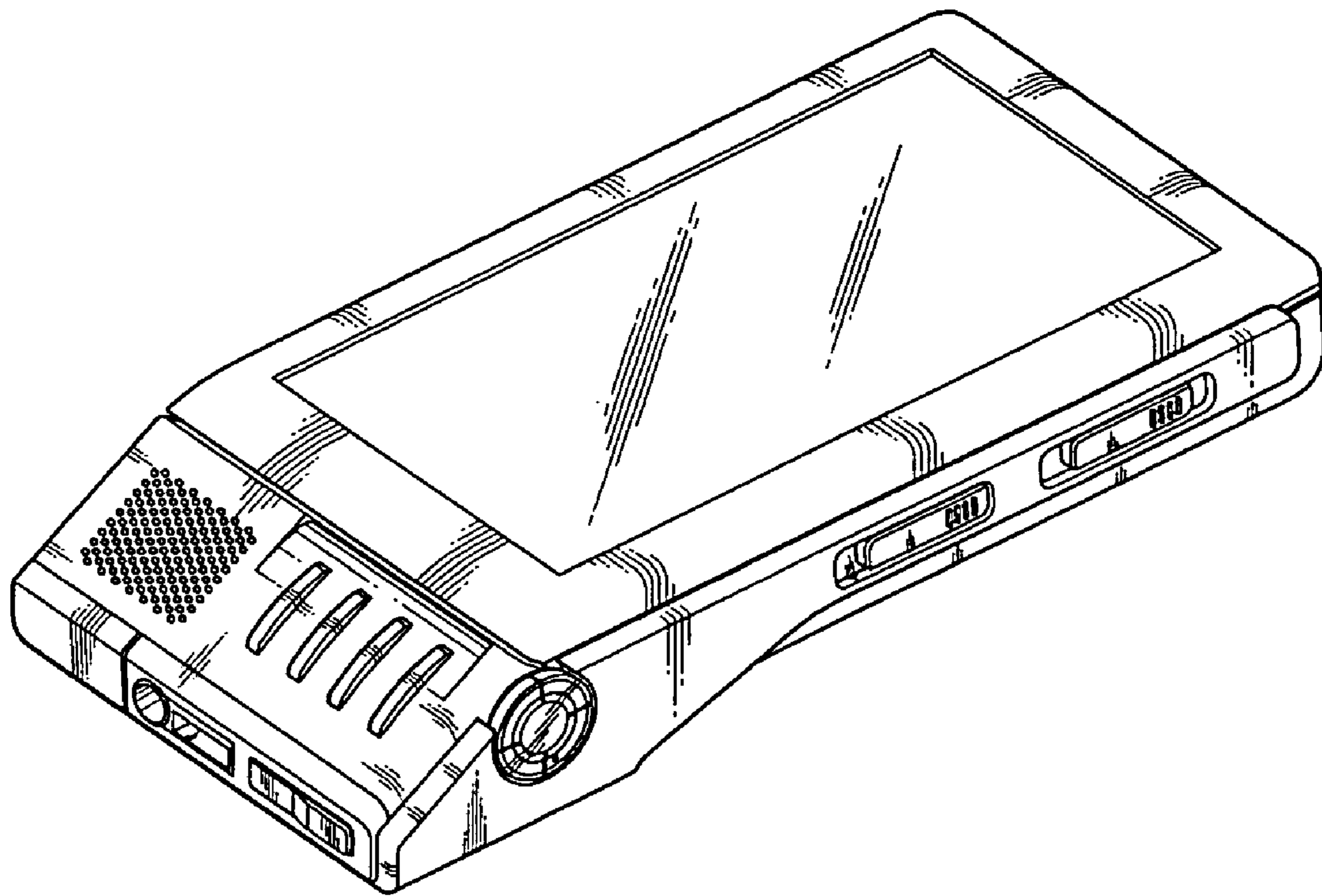


FIG. 2

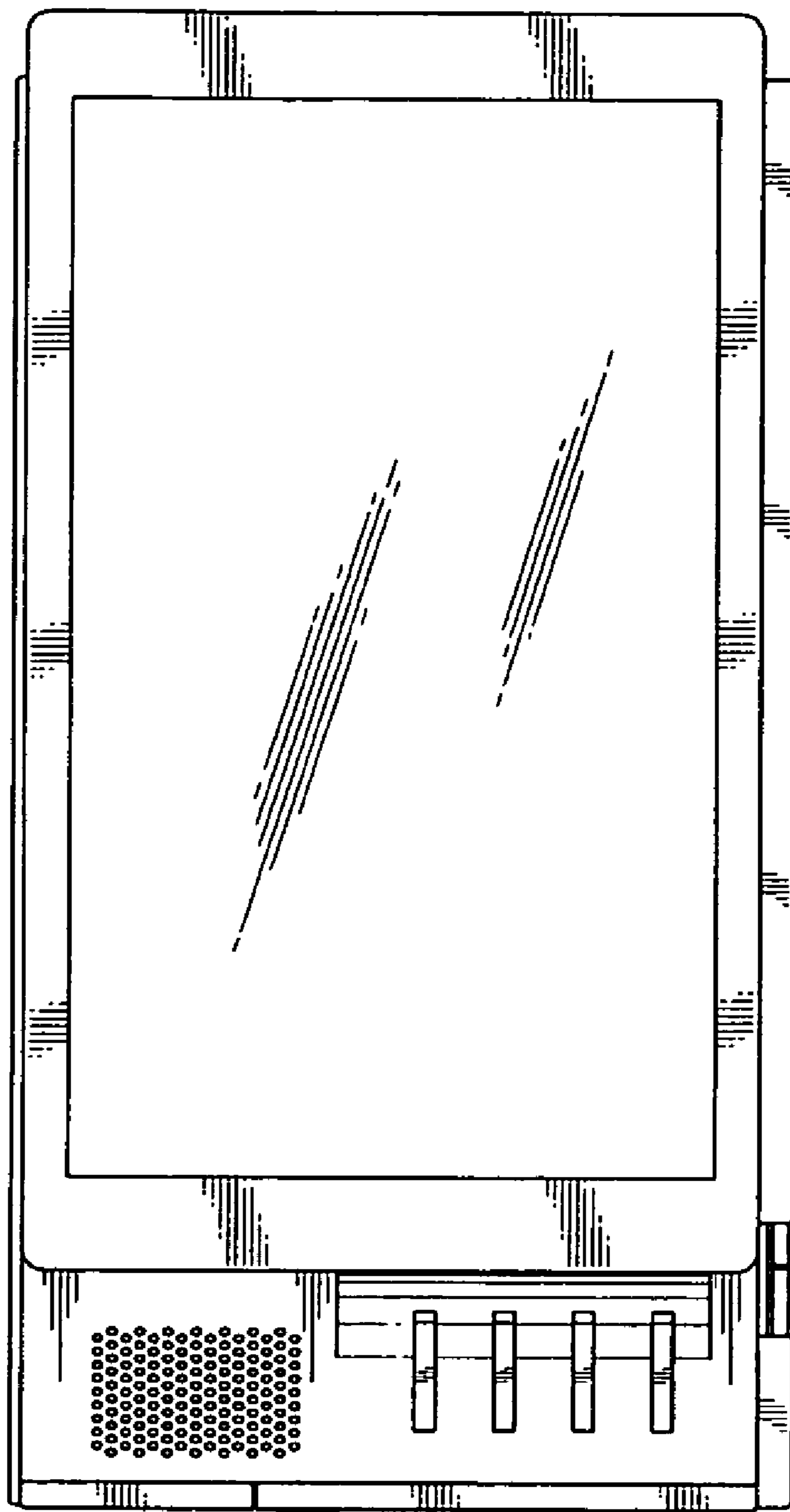


FIG. 3

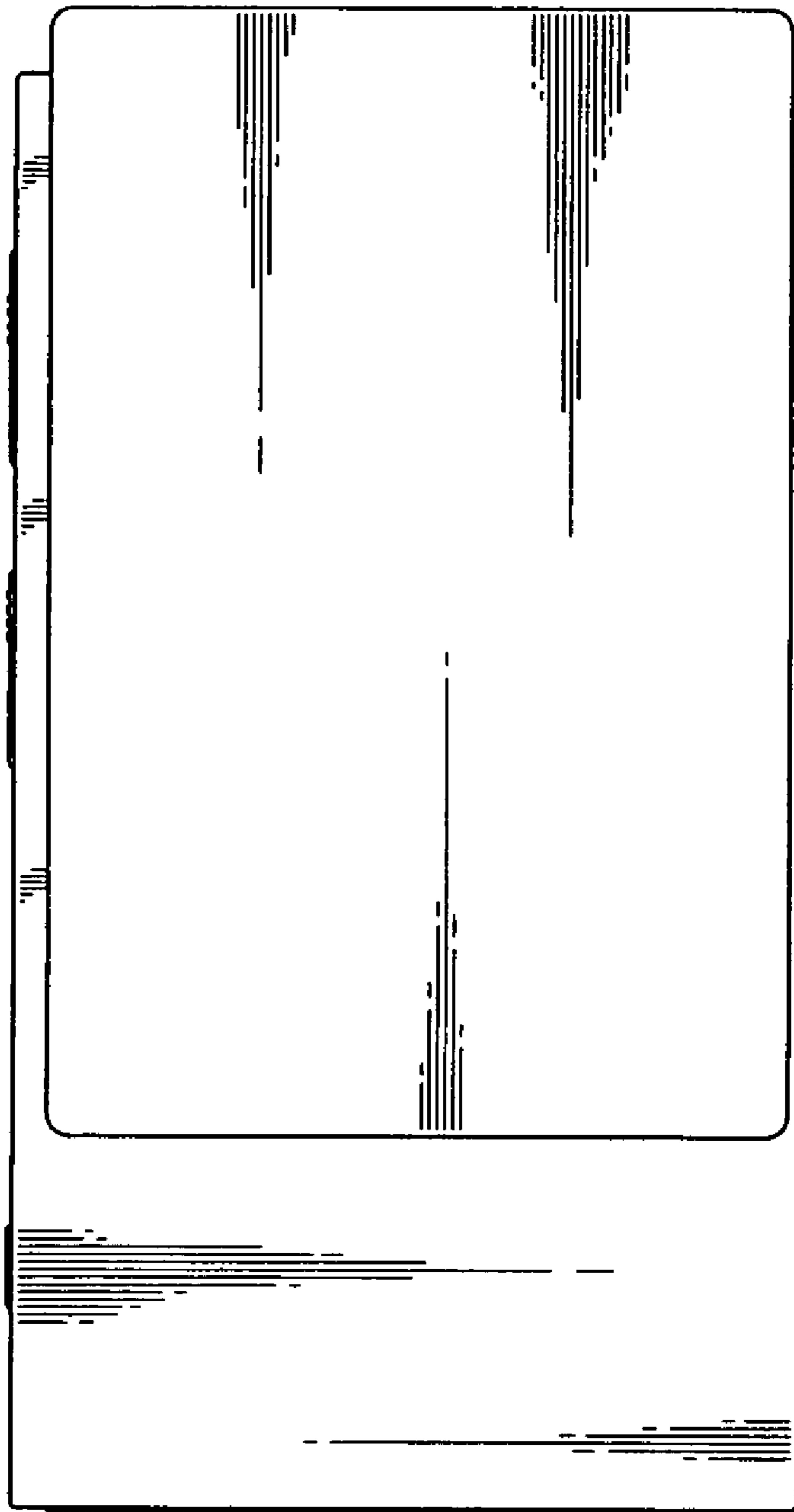


FIG. 4

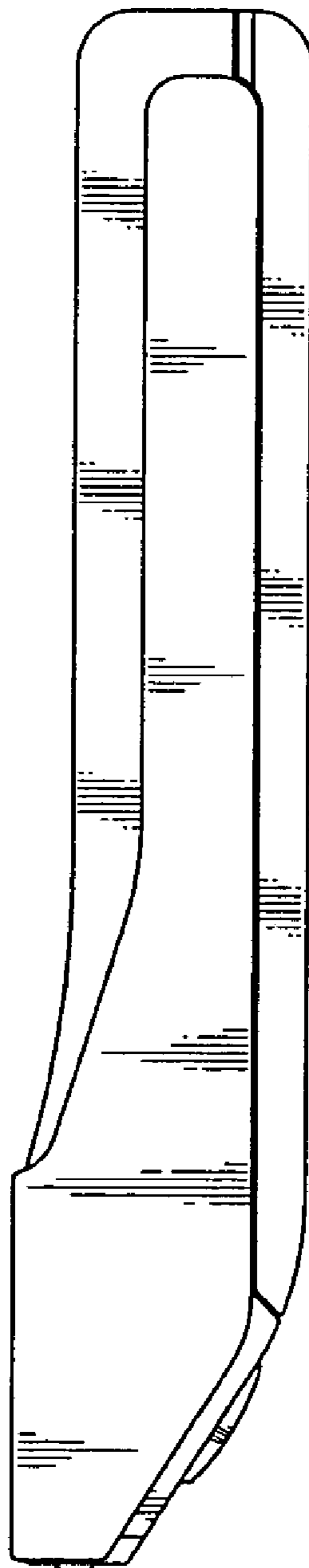


FIG. 5

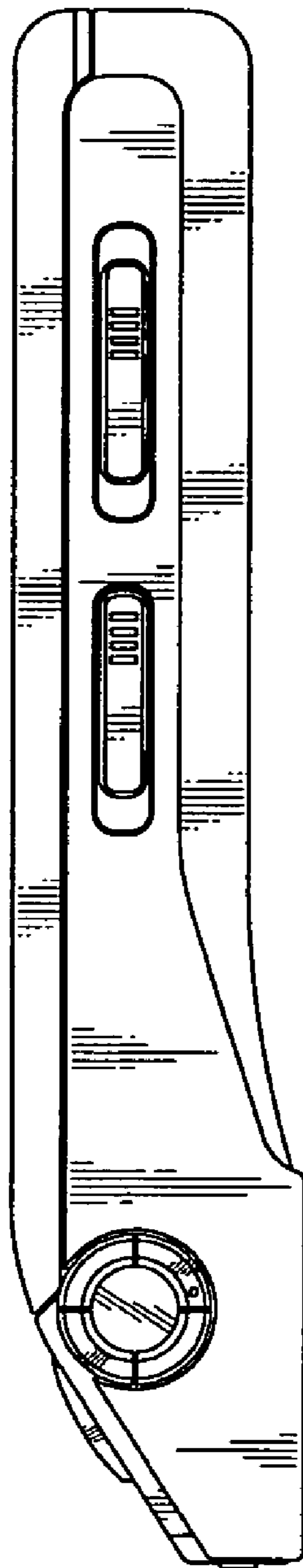


FIG. 6

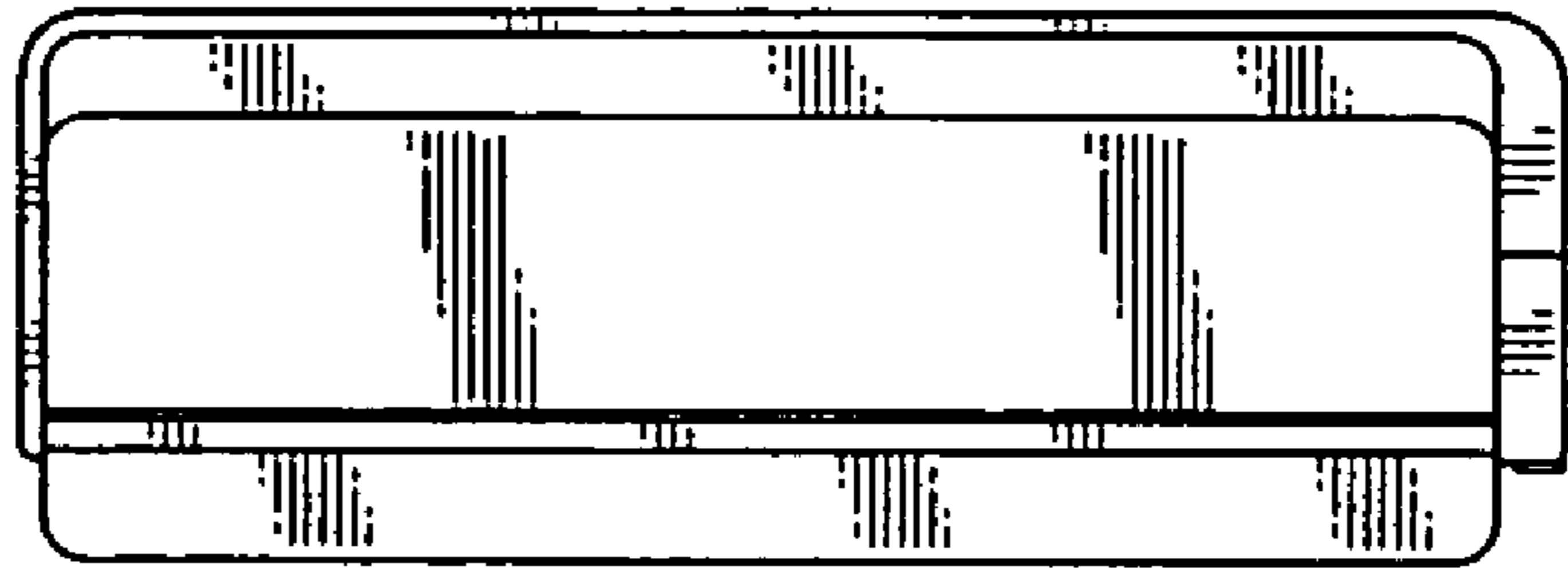


FIG. 7

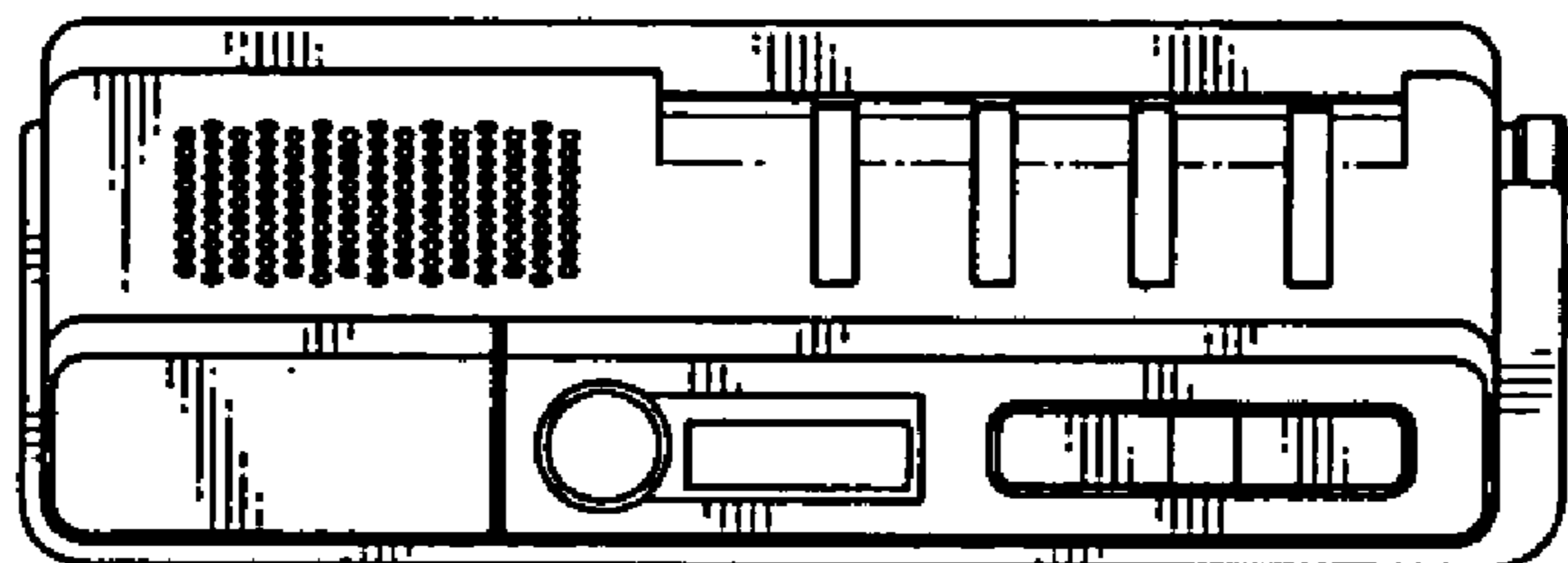


FIG. 8

