

(19) World Intellectual Property Organization  
International Bureau



(43) International Publication Date  
27 September 2007 (27.09.2007)

PCT

(10) International Publication Number  
**WO 2007/109429 A3**

- (51) International Patent Classification:  
G06F 3/00 (2006.01)
- (21) International Application Number:  
PCT/US2007/063545
- (22) International Filing Date: 8 March 2007 (08.03.2007)
- (25) Filing Language: English
- (26) Publication Language: English
- (30) Priority Data:  
11/378,176 17 March 2006 (17.03.2006) US
- (71) Applicant (for all designated States except US): **MO-TOROLA INC.** [US/US]; 1303 East Algonquin Road, Schaumburg, Illinois 60196 (US).

(81) Designated States (unless otherwise indicated, for every kind of national protection available): AE, AG, AL, AM, AT, AU, AZ, BA, BB, BG, BR, BW, BY, BZ, CA, CH, CN, CO, CR, CU, CZ, DE, DK, DM, DZ, EC, EE, EG, ES, FI, GB, GD, GE, GH, GM, GT, HN, HR, HU, ID, IL, IN, IS, JP, KE, KG, KM, KN, KP, KR, KZ, LA, LC, LK, LR, LS, LT, LU, LY, MA, MD, MG, MK, MN, MW, MX, MY, MZ, NA, NG, NI, NO, NZ, OM, PG, PH, PL, PT, RO, RS, RU, SC, SD, SE, SG, SK, SL, SM, SV, SY, TJ, TM, TN, TR, TT, TZ, UA, UG, US, UZ, VC, VN, ZA, ZM, ZW.

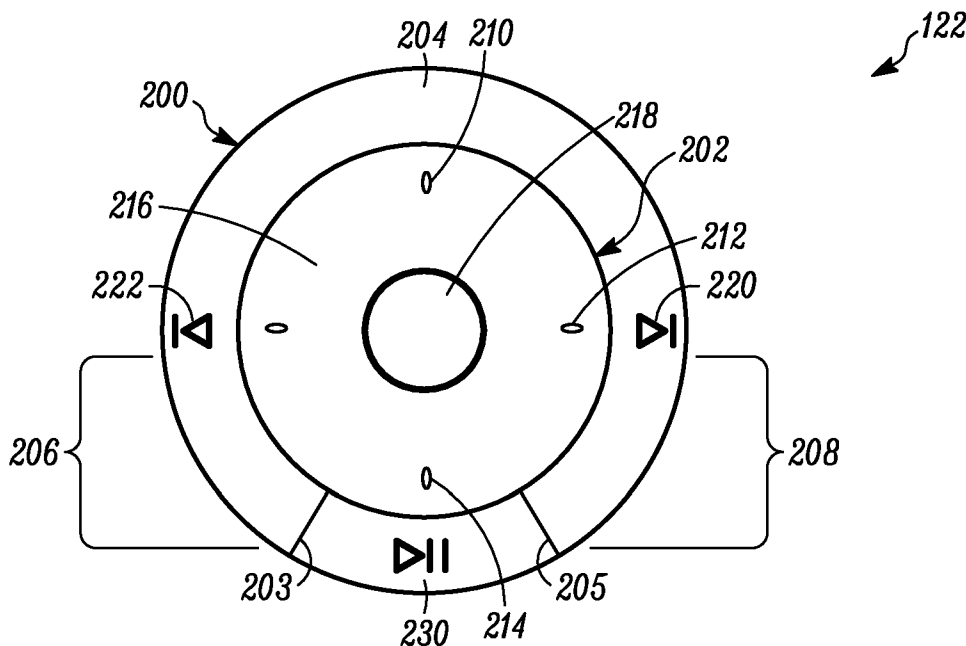
(84) Designated States (unless otherwise indicated, for every kind of regional protection available): ARIPO (BW, GH, GM, KE, LS, MW, MZ, NA, SD, SL, SZ, TZ, UG, ZM, ZW), Eurasian (AM, AZ, BY, KG, KZ, MD, RU, TJ, TM), European (AT, BE, BG, CH, CY, CZ, DE, DK, EE, ES, FI, FR, GB, GR, HU, IE, IS, IT, LT, LU, LV, MC, MT, NL, PL, PT, RO, SE, SI, SK, TR), OAPI (BF, BJ, CF, CG, CI, CM, GA, GN, GQ, GW, ML, MR, NE, SN, TD, TG).

- (72) Inventors; and
- (75) Inventors/Applicants (for US only): **CRANFILL, David, B.** [US/US]; 781 Belmont Court, Antioch, Illinois 60002 (US). **BOHAN, Michael** [US/US]; 105 Hilldale, Fox Lake, Illinois 60020 (US). **TUTTLE, Susan, L.** [US/US]; 795 Walton Lane, Grayslake, Illinois 60030 (US). **YOUNG, Hoi, L.** [US/US]; 1204 Beverly Drive, Lake Villa, Illinois 60046 (US).
- (74) Agents: **VAAS, Randall, S.** et al.; 600 North US Highway 45, Libertyville, Illinois 60048 (US).

**Published:**  
— with international search report  
— before the expiration of the time limit for amending the claims and to be republished in the event of receipt of amendments

(88) Date of publication of the international search report:  
8 May 2008

(54) Title: USER INTERFACE FOR SCROLLING



(57) Abstract: A user interface can include a directional navigation interface and a scrolling strip at least partially circumscribing said navigation device. The scrolling strip can include a proportional scrolling zone and a multi-mode scrolling zone.

WO 2007/109429 A3

## INTERNATIONAL SEARCH REPORT

International application No.

PCT/US 07/63545

<b>A. CLASSIFICATION OF SUBJECT MATTER</b> IPC(8) - G06F 3/00 (2007.10) USPC - 715/700 According to International Patent Classification (IPC) or to both national classification and IPC		
<b>B. FIELDS SEARCHED</b> Minimum documentation searched (classification system followed by classification symbols) IPC(8): G06F 3/00 (2007.10) USPC: 715/700 Documentation searched other than minimum documentation to the extent that such documents are included in the fields searched 715/786, 830 Electronic data base consulted during the international search (name of data base and, where practicable, search terms used) USPTO WEST (PGPB, USPT, EPAB, JPAB); GOOGLE Search Terms Used: scroll\$, circul\$, circl\$, round\$, rotate\$, sphere\$, zone\$, iPod, mp3, music player, pda, touch screen, touch pad		
<b>C. DOCUMENTS CONSIDERED TO BE RELEVANT</b>		
Category*	Citation of document, with indication, where appropriate, of the relevant passages	Relevant to claim No.
X	US 2003/0076301 A1 (TSUK et al.) 24 April 2003 (24.04.2003), entire document, especially para [0068]-[0079], Figs 7B, 9 and abstract	1, 3-10, 12-16, 18-19
Y		2, 11, 17
Y	US 2005/0110768 A1 (MARRIOTT et al.) 26 May 2005 (26.05.2005), entire document, especially para [0010], [0081], [0095] and Figs 9-10	2,11, 17
A	US 2005/0052425 A1 (ZADESKY et al.) 10 March 2005 (10.03.2005), entire document	1-19
A	US 20030076306 A1 (ZADESKY et al.) 24 April 2003 (24.04.2003), entire document	1-19
<input type="checkbox"/> Further documents are listed in the continuation of Box C. <input type="checkbox"/>		
* Special categories of cited documents: "A" document defining the general state of the art which is not considered to be of particular relevance "E" earlier application or patent but published on or after the international filing date "L" document which may throw doubts on priority claim(s) or which is cited to establish the publication date of another citation or other special reason (as specified) "O" document referring to an oral disclosure, use, exhibition or other means "P" document published prior to the international filing date but later than the priority date claimed "T" later document published after the international filing date or priority date and not in conflict with the application but cited to understand the principle or theory underlying the invention "X" document of particular relevance; the claimed invention cannot be considered novel or cannot be considered to involve an inventive step when the document is taken alone "Y" document of particular relevance; the claimed invention cannot be considered to involve an inventive step when the document is combined with one or more other such documents, such combination being obvious to a person skilled in the art "&" document member of the same patent family		
Date of the actual completion of the international search 12 December 2007 (12.12.2007)		Date of mailing of the international search report <b>27 FEB 2008</b>
Name and mailing address of the ISA/US Mail Stop PCT, Attn: ISA/US, Commissioner for Patents P.O. Box 1450, Alexandria, Virginia 22313-1450 Facsimile No. 571-273-3201		Authorized officer: Lee W. Young PCT Helpdesk: 571-272-4300 PCT OSP: 571-272-7774