



US00D463189S

(12) **United States Design Patent** (10) **Patent No.:** **US D463,189 S**
Kwok (45) **Date of Patent:** **** Sep. 24, 2002**

(54) **RACK FOR COMPACT DISKS**
(75) Inventor: **Tat Cheong Kwok, Hong Kong (HK)**
(73) Assignee: **Kwok's Brother Manufacturing Limited, Chaiwan (HK)**
(**) Term: **14 Years**
(21) Appl. No.: **29/132,989**
(22) Filed: **Nov. 20, 2000**

(30) **Foreign Application Priority Data**
May 18, 2000 (DE) 400 04 996
(51) **LOC (7) Cl.** **06-04**
(52) **U.S. Cl.** **D6/630**
(58) **Field of Search** D6/407, 629, 630, D6/449, 465, 477, 478, 479, 552; 108/1, 3, 59, 60, 93, 94, 96, 147.11, 147.17, 150; 211/85.3, 34, 36, 42, 50, 70, 90.01, 90.04, 115, 144, 163; 312/9.1, 9.47, 9.48, 9.52, 9.53, 9.54

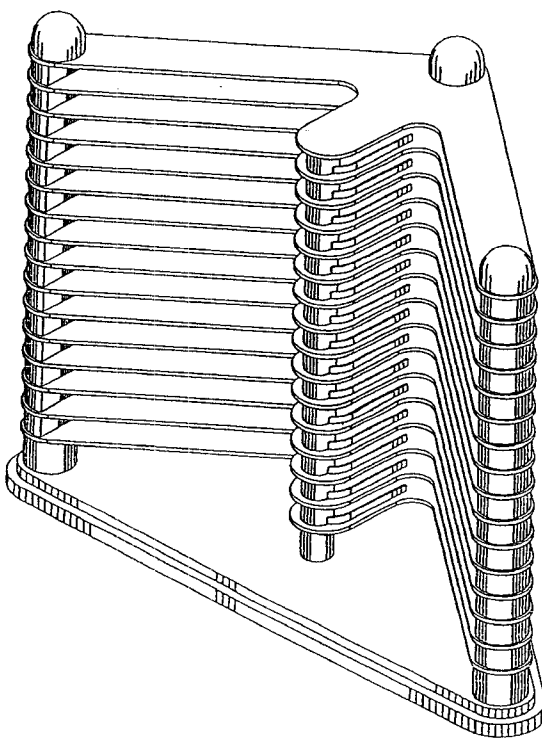
(56) **References Cited**
U.S. PATENT DOCUMENTS
5,788,088 A 8/1998 Kao
D405,310 S 2/1999 Cheris et al.
D412,805 S * 8/1999 Cheris et al. D6/630
D429,439 S 8/2000 Mok
6,126,020 A 10/2000 Mok
D435,189 S 12/2000 Mok

D436,490 S 1/2001 Kwok
D453,654 S * 2/2002 Kwok D6/630
* cited by examiner
Primary Examiner—Cathron C. Brooks
(74) *Attorney, Agent, or Firm*—Duane Morris LLP

(57) **CLAIM**
The ornamental design for a rack for compact disks, as shown and described.

DESCRIPTION
FIG. 1 is a front perspective view of a rack for compact disks showing my new design;
FIG. 2 is a rear perspective view of the rack for compact disks of FIG. 1;
FIG. 3 is a front elevational view of the rack for compact disks of FIG. 1;
FIG. 4 is a rear elevational view of the rack for compact disks of FIG. 1;
FIG. 5 is a right side elevational view of the rack for compact disks of FIG. 1;
FIG. 6 is a left side elevational view of the rack for compact disks of FIG. 1;
FIG. 7 is a top plan view of the rack for compact disks of FIG. 1; and,
FIG. 8 is a top plan view of an individual layer of the rack for compact disks of FIG. 1 taken along line 8—8 of FIG. 3, it being understood that the design for each layer of the rack for compact disks is identical thereto.

1 Claim, 7 Drawing Sheets



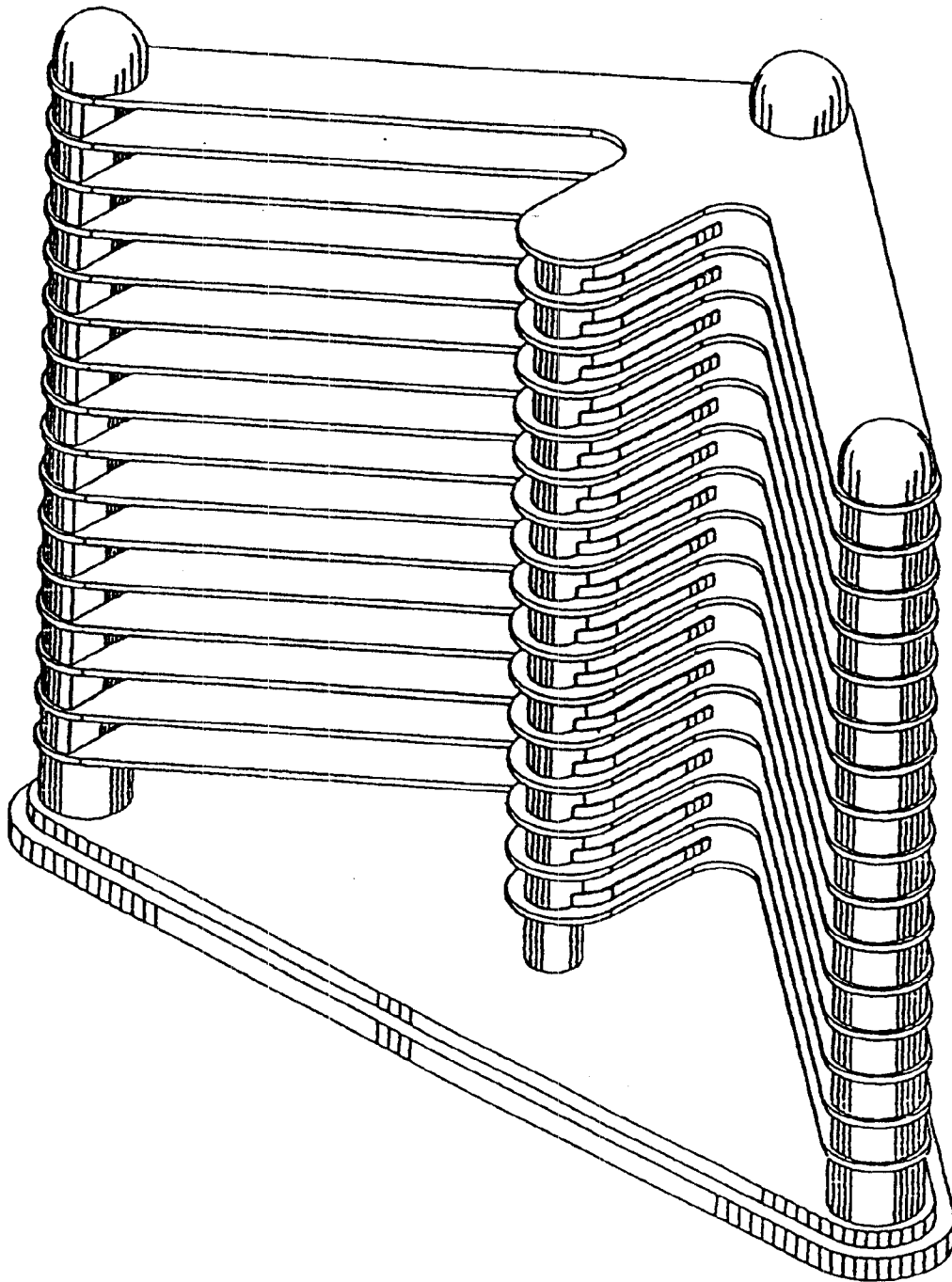


Figure 1

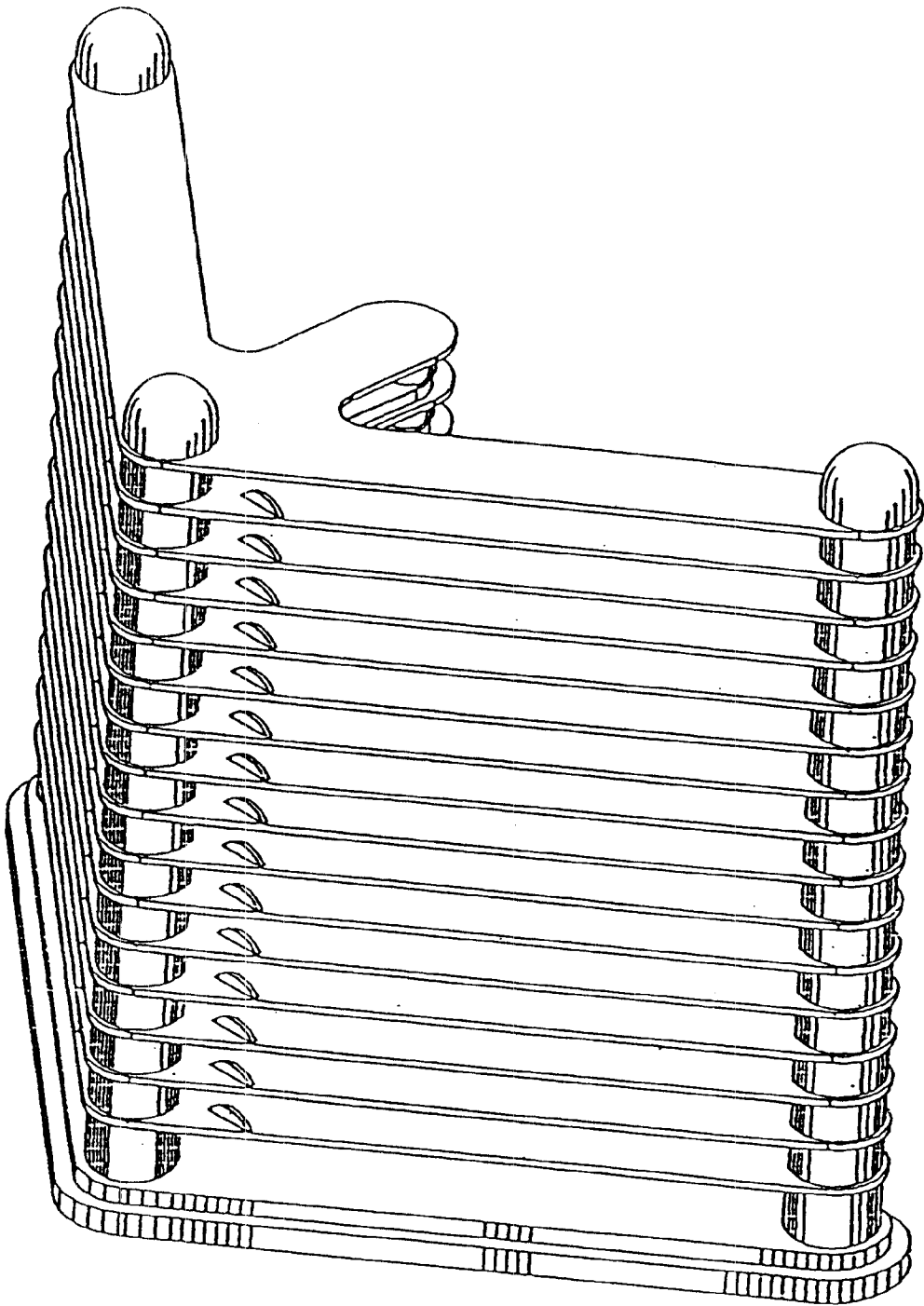


Figure 2

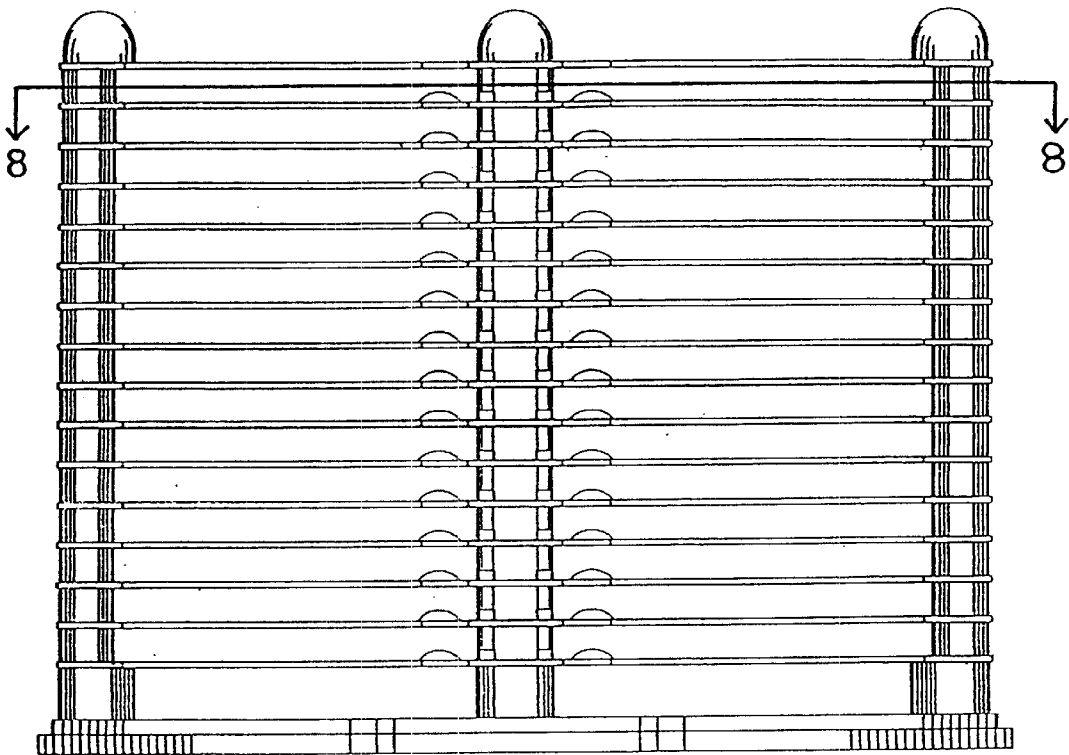


Figure 3

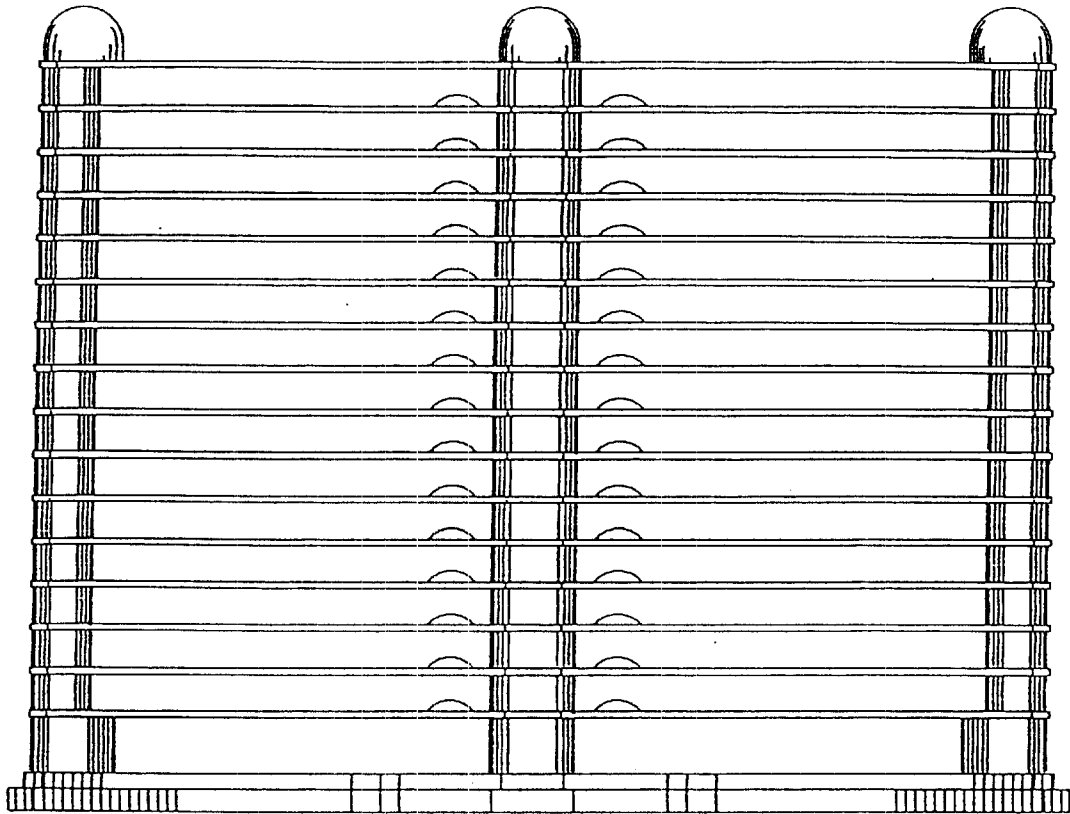


Figure 4

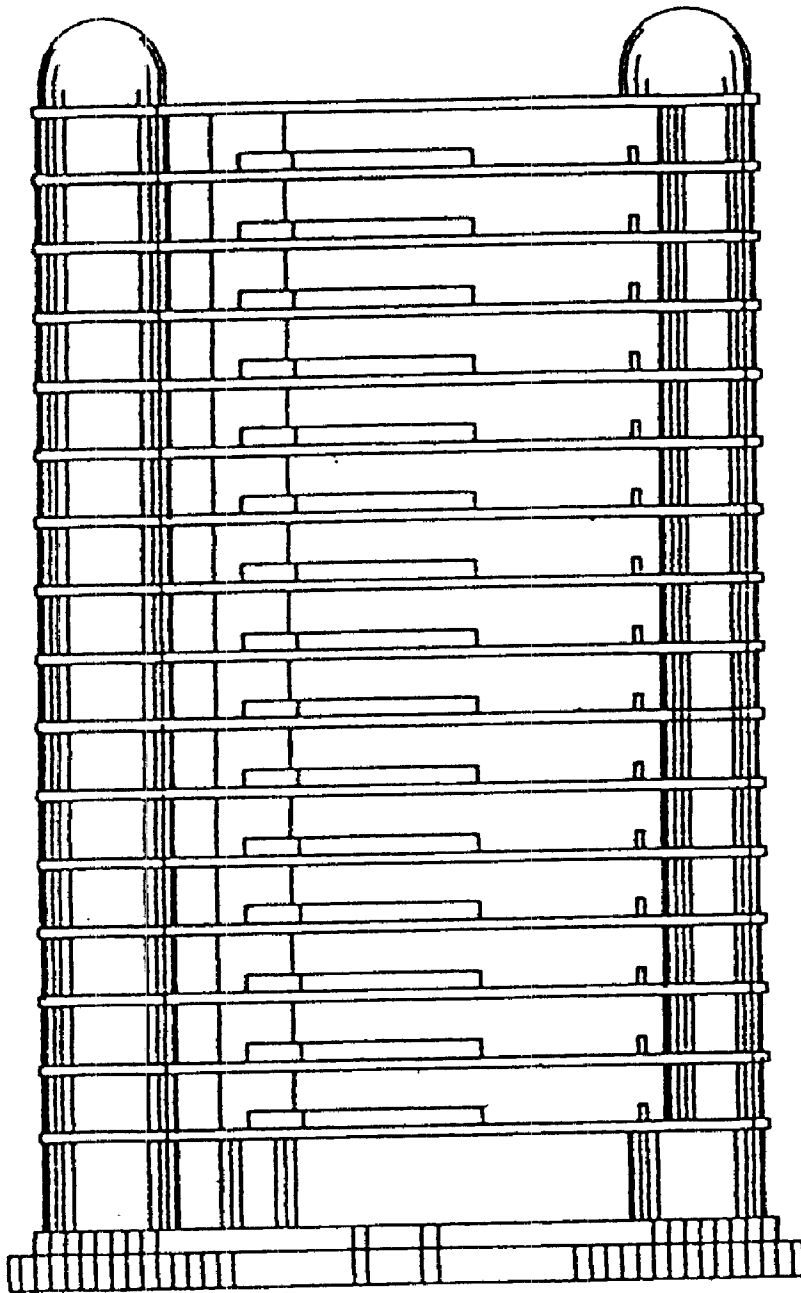


Figure 5

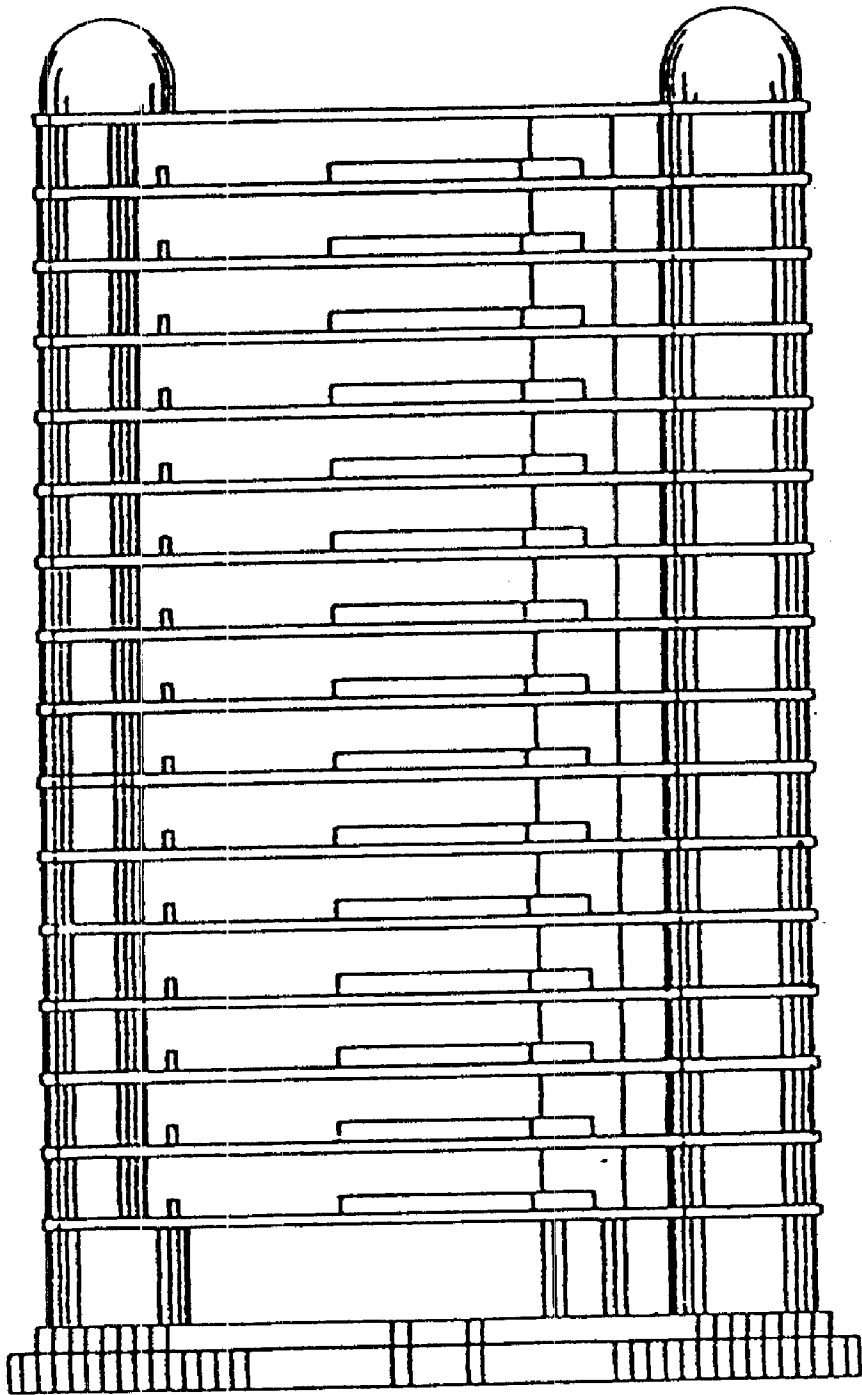


Figure 6

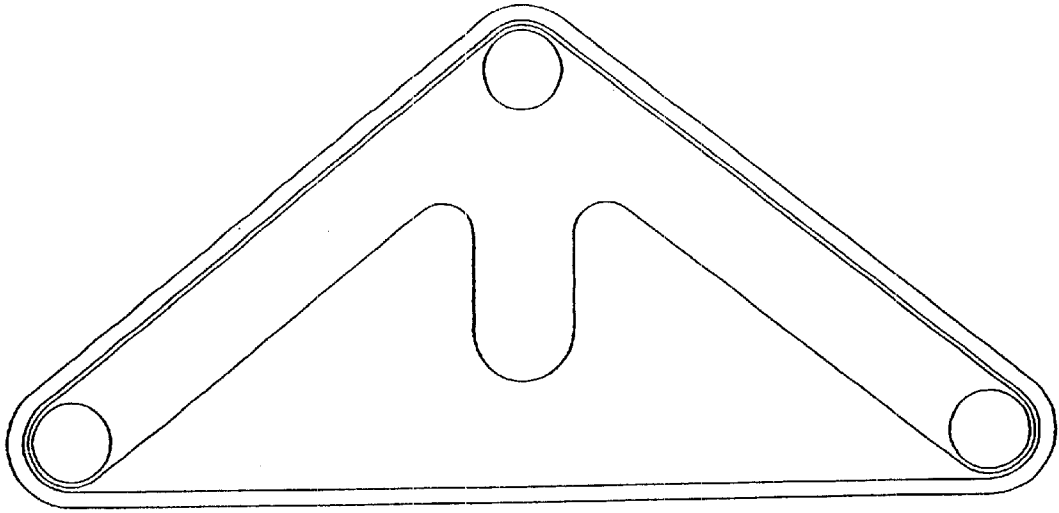


Figure 7

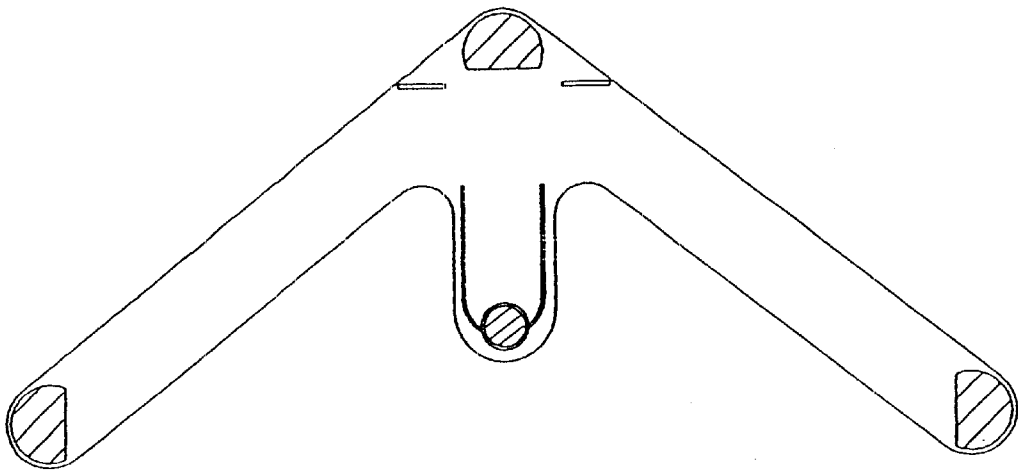


Figure 8