



(22) Date de dépôt/Filing Date: 2013/05/21
(41) Mise à la disp. pub./Open to Public Insp.: 2013/12/01
(30) Priorités/Priorities: 2012/06/01 (US61/654,191);
2013/05/02 (US13/875,571)

(51) Cl.Int./Int.Cl. *A61B 17/00* (2006.01),
A61B 17/068 (2006.01), *A61B 17/28* (2006.01),
A61B 17/32 (2006.01)

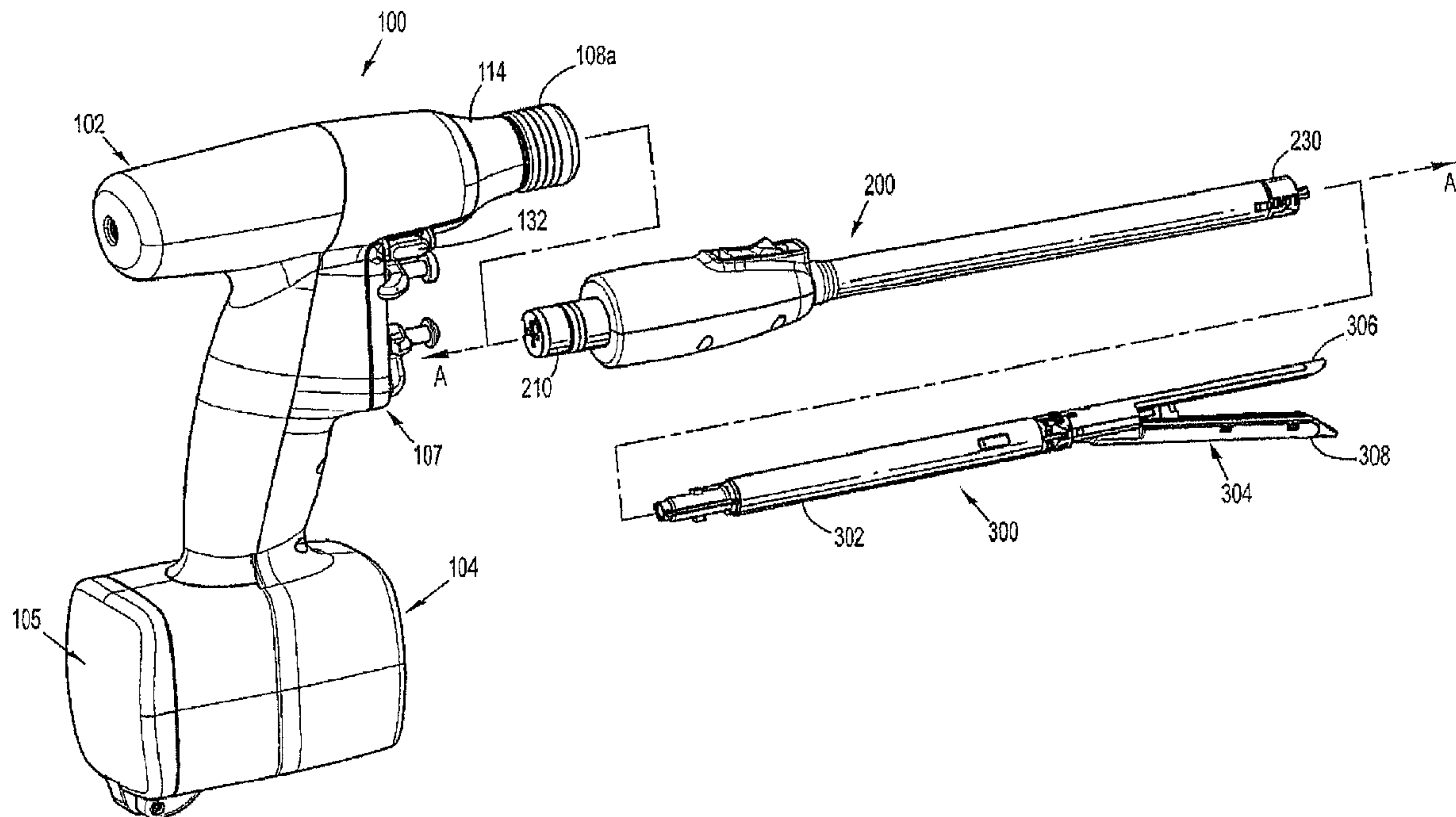
(71) Demandeur/Applicant:
COVIDIEN LP, US

(72) Inventeurs/Inventors:
NICHOLAS, DAVID, US;
BEARDSLEY, JOHN, US;
PRIBANIC, RUSSELL, US;
ZEMLOK, MICHAEL, US

(74) Agent: OSLER, HOSKIN & HARCOURT LLP

(54) Titre : DISPOSITIF DE POIGNEE CHIRURGICALE TENU A LA MAIN, ADAPTATEURS CHIRURGICAUX A
UTILISER ENTRE LE DISPOSITIF DE POIGNEE CHIRURGICALE ET LES EFFECTEURS TERMINAUX
CHIRURGICAUX ET METHODES D'UTILISATION

(54) Title: HAND HELD SURGICAL HANDLE ASSEMBLY, SURGICAL ADAPTERS FOR USE BETWEEN SURGICAL
HANDLE ASSEMBLY AND SURGICAL END EFFECTORS, AND METHODS OF USE



(57) **Abrégé/Abstract:**

The present disclosure relates to a surgical device including an adapter assembly for selectively interconnecting an end effector and the device housing. The adapter assembly includes at least one drive converter assembly that converts and transmits a rotation of the rotatable drive shaft to an axial translation of at least one axially translatable drive member of the end effector. A first drive converter assembly includes a first drive element, a nut, an articulation sleeve, an articulation bearing, and an articulation link. Rotation of the rotatable drive shaft results in rotation of the first drive element. Rotation of the first drive element results in axial translation of the nut, the articulation sleeve, the articulation bearing, the articulation link, and the at least one axially translatable drive member of the end effector.



ABSTRACT

The present disclosure relates to a surgical device including an adapter assembly for selectively interconnecting an end effector and the device housing. The adapter assembly includes at least one drive converter assembly that converts and transmits a rotation of the rotatable drive shaft to an axial translation of at least one axially translatable drive member of the end effector. A first drive converter assembly includes a first drive element, a nut, an articulation sleeve, an articulation bearing, and an articulation link. Rotation of the rotatable drive shaft results in rotation of the first drive element. Rotation of the first drive element results in axial translation of the nut, the articulation sleeve, the articulation bearing, the articulation link, and the at least one axially translatable drive member of the end effector.

**HAND HELD SURGICAL HANDLE ASSEMBLY, SURGICAL ADAPTERS FOR USE
BETWEEN SURGICAL HANDLE ASSEMBLY AND SURGICAL END EFFECTORS,
AND METHODS OF USE**

BACKGROUND

1. *Technical Field*

[0002] The present disclosure relates to surgical devices and/or systems, surgical adapters and their methods of use. More specifically, the present disclosure relates to hand held powered surgical devices, surgical adapters and/or adapter assemblies for use between and for interconnecting the powered, rotating and/or articulating surgical device or handle assembly and an end effector for clamping, cutting and/or stapling tissue.

2. *Background of Related Art*

[0003] One type of surgical device is a linear clamping, cutting and stapling device. Such a device may be employed in a surgical procedure to resect a cancerous or anomalous tissue from a gastro-intestinal tract. Conventional linear clamping, cutting and stapling instruments include a pistol grip-styled structure having an elongated shaft and distal portion. The distal portion includes a pair of scissors-styled gripping elements, which clamp the open

ends of the colon closed. In this device, one of the two scissors-styled gripping elements, such as the anvil portion, moves or pivots relative to the overall structure, whereas the other gripping element remains fixed relative to the overall structure. The actuation of this scissoring device (the pivoting of the anvil portion) is controlled by a grip trigger maintained in the handle.

[0004] In addition to the scissoring device, the distal portion also includes a stapling mechanism. The fixed gripping element of the scissoring mechanism includes a staple cartridge receiving region and a mechanism for driving the staples up through the clamped end of the tissue against the anvil portion, thereby sealing the previously opened end. The scissoring elements may be integrally formed with the shaft or may be detachable such that various scissoring and stapling elements may be interchangeable.

[0005] A number of surgical device manufacturers have developed product lines with proprietary drive systems for operating and/or manipulating the surgical device. In many instances the surgical devices include a handle assembly, which is reusable, and a disposable end effector or the like that is selectively connected to the handle assembly prior to use and then disconnected from the end effector following use in order to be disposed of or in some instances sterilized for re-use.

[0006] Many of the existing end effectors for use with many of the existing surgical devices and/or handle assemblies are driven by a linear force. For examples, end effectors for performing endo-gastrointestinal anastomosis procedures, end-to-end anastomosis procedures and transverse anastomosis procedures, each typically require a linear driving force in order to be operated. As such, these end effectors are not compatible with surgical devices and/or handle assemblies that use a rotary motion to deliver power or the like.

[0007] In order to make the linear driven end effectors compatible with surgical devices and/or handle assemblies that use a rotary motion to deliver power, a need exists for adapters and/or adapter assemblies to interface between and interconnect the linear driven end effectors with the rotary driven surgical devices and/or handle assemblies.

SUMMARY

[0008] The present disclosure relates to a surgical device comprising a device housing, at least one drive motor, a battery, a circuit board, an end effector, and an adapter assembly. The device housing defines a connecting portion for selectively connecting with the adapter assembly. The at least one drive motor is supported in the device housing and is configured to rotate at least one drive shaft. The battery is disposed in electrical communication with the at least one drive motor. The circuit board is disposed within the housing for controlling power delivered from the battery to the at least one drive motor. The end effector is configured to perform at least one function and includes at least one axially translatable drive member. The adapter assembly is for selectively interconnecting the end effector and the device housing, and includes a knob housing, and at least one drive converter assembly. The knob housing is configured and adapted for selective connection to the device housing and to be in operative communication with each of the at least one rotatable drive shaft. The at least one drive converter assembly is for interconnecting a respective one of the at least one rotatable drive shaft and one of the at least one axially translatable drive member of the end effector. The at least one drive converter assembly converts and transmits a rotation of the rotatable drive shaft to an axial translation of the at least one axially translatable drive member of the end effector. The at least one drive converter assembly includes a first drive converter assembly including a first drive element, a nut, an articulation sleeve, an articulation bearing, and an articulation link. The first

drive element is rotatably supported in the knob housing. A proximal end of the first drive element is engagable with the rotatable drive shaft. The nut is threadably connected to a threaded distal portion of the first drive element. A proximal portion of the articulation sleeve is disposed in mechanical cooperation with the nut. The articulation bearing is disposed in mechanical cooperation with a distal portion of the articulation sleeve. A proximal portion of the articulation link is disposed in mechanical cooperation with the articulation bearing. A distal portion of the articulation link is configured for selective engagement with the at least one axially translatable drive member of the end effector. Rotation of the rotatable drive shaft results in rotation of the first drive element. Rotation of the first drive element results in axial translation of the nut, the articulation sleeve, the articulation bearing, the articulation link, and the at least one axially translatable drive member of the end effector.

[0009] In disclosed embodiments, the articulation bearing is configured for axial and rotatable movement with respect to the knob housing.

[0010] In disclosed embodiments, the distal portion of the articulation sleeve is disposed in mechanical cooperation with a radially inner portion of the articulation bearing. Here, it is disclosed that the proximal portion of the articulation link is disposed in mechanical cooperation with a radially outer portion of the articulation bearing.

[0011] In disclosed embodiments, a second drive converter assembly is included and comprises a second drive element, a first gear, a second gear, and a gear ring. The second drive element is rotatably supported in the knob housing. A proximal end of the second drive element is connectable to a second rotatable drive shaft of the surgical device. The first gear is disposed in mechanical cooperation with a distal portion of the second drive element. The second gear is

disposed in mechanical cooperation with the first gear. The gear ring is disposed in mechanical cooperation with the second gear and is disposed in mechanical cooperation with the end effector. The gear ring is fixed from rotation with respect to the knob housing. Rotation of the second rotatable drive shaft causes rotation of the first gear, rotation of the first gear causes rotation of the second gear, rotation of the second gear causes rotation of the gear ring, and rotation of the gear ring causes rotation of the end effector. Here, it is disclosed that the knob housing includes a drive coupling housing, which is rotatable with respect to the remainder of the knob housing. Here, it is disclosed that a rotation bearing is included, and the drive coupling housing is rotationally fixed to the rotation bearing. The knob housing is rotatable with respect to the rotation bearing. Here, it is disclosed that the gear ring includes a plurality of teeth disposed around an inner periphery thereof.

[0012] In disclosed embodiments, a distal portion of the articulation link includes a slot therein configured to releasably accept a portion of the at least one axially translatable drive member of the end effector. Here, it is disclosed that the slot includes a tapered opening.

[0013] The present disclosure also relates to an adapter assembly for selectively interconnecting a surgical end effector and a handle assembly having at least one rotatable drive shaft. The adapter assembly comprises a knob housing, and at least one drive converter assembly. The knob housing is configured and adapted for selective connection to a handle assembly. The knob housing includes a drive coupling housing. The at least one drive converter assembly is for interconnecting a respective one of the at least one rotatable drive shaft and a portion of a surgical end effector. The at least one drive converter assembly converts and transmits a rotation of the rotatable drive shaft to an axial translation of the at least one axially translatable drive member of the end effector. The at least one drive converter assembly includes

a first drive converter assembly including a drive element, a first gear, a second gear, a gear ring and a rotation bearing. The drive element is rotatably supported in the adapter housing. The first gear is disposed in mechanical cooperation with a distal portion of the drive element. The second gear is disposed in mechanical cooperation with the first gear. The gear ring is disposed in mechanical cooperation with the second gear and is disposed in mechanical cooperation with an end effector-engaging portion of the adapter assembly. The gear ring is fixed from rotation with respect to the adapter housing. The drive coupling housing is rotationally fixed to the rotation bearing, and the knob housing is rotatable with respect to the rotation bearing. Rotation of the drive element causes rotation of the first gear; rotation of the first gear causes rotation of the second gear; rotation of the second gear causes rotation of the gear ring; and rotation of the gear ring causes rotation of the end effector-engaging portion of the adapter assembly.

[0014] In disclosed embodiments, the gear ring includes a plurality of teeth disposed around an inner periphery thereof.

[0015] In disclosed embodiments, the drive coupling housing is rotatable with respect to the remainder of the knob housing.

[0016] In disclosed embodiments, a second drive converter assembly is included and comprises a second drive element, a nut, an articulation sleeve, and an articulation link. The second drive element is rotatably supported in the knob housing. The nut is threadably connected to a threaded distal portion of the second drive element. A proximal portion of the articulation sleeve is disposed in mechanical cooperation with the nut. The articulation bearing is disposed in mechanical cooperation with a distal portion of the articulation sleeve. A proximal portion of the articulation link is disposed in mechanical cooperation with the

articulation bearing. A distal portion of the articulation link is configured for selective engagement with a portion of an end effector. Rotation of the second drive element results in axial translation of the nut, the articulation sleeve, the articulation bearing and the articulation link. Here, it is disclosed that the articulation bearing is configured for axial and rotatable movement with respect to the knob housing. Here, it is disclosed that distal portion of the articulation sleeve is disposed in mechanical cooperation with a radially inner portion of the articulation bearing. Here, it is disclosed that the proximal portion of the articulation link is disposed in mechanical cooperation with a radially outer portion of the articulation bearing.

BRIEF DESCRIPTION OF THE DRAWINGS

[0017] Embodiments of the present disclosure are described herein with reference to the accompanying drawings, wherein:

[0018] FIG. 1 is a perspective view, with parts separated, of a surgical device and adapter, in accordance with an embodiment of the present disclosure, illustrating a connection thereof with an end effector;

[0019] FIG. 2 is a perspective view of the surgical device of FIG. 1;

[0020] FIG. 3 is a perspective view, with parts separated, of the surgical device of FIGS. 1 and 2;

[0021] FIG. 4 is a perspective view of a battery for use in the surgical device of FIGS. 1-3;

- [0022] FIG. 5 is a perspective view of the surgical device of FIGS. 1-3, with a housing thereof removed;
- [0023] FIG. 6 is a perspective view of the connecting ends of each of the surgical device and the adapter, illustrating a connection therebetween;
- [0024] FIG. 7 is a cross-sectional view of the surgical device of FIGS. 1-3, as taken through 7-7 of FIG. 2;
- [0025] FIG. 8 is a cross-sectional view of the surgical device of FIGS. 1-3, as taken through 8-8 of FIG. 2;
- [0026] FIG. 9 is a perspective view, with parts separated, of a trigger housing of the surgical device of FIGS. 1-3;
- [0027] FIG. 10 is a perspective view of the adapter of FIG. 1;
- [0028] FIG. 11 is a cross-sectional view of the adapter of FIGS. 1 and 10, as taken through 11-11 of FIG. 10;
- [0029] FIG. 12 is an enlarged view of the indicated area of detail of FIG. 11;
- [0030] FIG. 13 is an enlarged view of the indicated area of detail of FIG. 11;
- [0031] FIG. 14 is a perspective view, with some parts omitted, of the adapter and a portion of a loading unit;
- [0032] FIG. 15 is an enlarged view of the indicated area of detail of FIG. 14;
- [0033] FIG. 16 is an enlarged view of the indicated area of detail of FIG. 14;

- [0034] FIG. 17 is a perspective view of the distal end of the adapter engaged with a loading unit;
- [0035] FIGS. 18 and 19 are perspective views of portions of the adapter with parts omitted;
- [0036] FIG. 20. is a cross-sectional view of the adapter of FIGS. 1 and 10, as taken through 20-20 of FIG. 10;
- [0037] FIG. 21 is an enlarged view of the indicated area of detail of FIG. 20;
- [0038] FIG. 22 is an enlarged view of the indicated area of detail of FIG. 20;
- [0039] FIG. 23 is a perspective view of a distal portion of the adapter;
- [0040] FIG. 24 is a cut-away perspective view looking distally at the distal portion of the adapter as shown in FIG. 23;
- [0041] FIG. 25 is a perspective view of a portion of the adapter with parts omitted;
- [0042] FIG. 26 is a perspective view, with parts separated, of an exemplary end effector for use with the surgical device and the adapter of the present disclosure; and
- [0043] FIG. 27 is a schematic illustration of the outputs to the LEDs; selection of motor (to select clamping/cutting, rotation or articulation); and selection of the drive motors to perform a function selected.

DETAILED DESCRIPTION OF EMBODIMENTS

[0044] Embodiments of the presently disclosed surgical devices, and adapter assemblies for surgical devices and/or handle assemblies are described in detail with reference to the drawings, in which like reference numerals designate identical or corresponding elements in each of the several views. As used herein the term “distal” refers to that portion of the adapter assembly or surgical device, or component thereof, farther from the user, while the term “proximal” refers to that portion of the adapter assembly or surgical device, or component thereof, closer to the user.

[0045] A surgical device, in accordance with an embodiment of the present disclosure, is generally designated as 100, and is in the form of a powered hand held electromechanical instrument configured for selective attachment thereto of a plurality of different end effectors that are each configured for actuation and manipulation by the powered hand held electromechanical surgical instrument.

[0046] As illustrated in FIG. 1, surgical device 100 is configured for selective connection with an adapter 200, and, in turn, adapter 200 is configured for selective connection with an end effector or single use loading unit 300.

[0047] As illustrated in FIGS. 1-3, surgical device 100 includes a handle housing 102 having a lower housing portion 104, an intermediate housing portion 106 extending from and/or supported on lower housing portion 104, and an upper housing portion 108 extending from and/or supported on intermediate housing portion 106. Intermediate housing portion 106 and upper housing portion 108 are separated into a distal half-section 110a that is integrally formed with and extending from the lower portion 104, and a proximal half-section 110b connectable to distal half-section 110a by a plurality of fasteners. When joined, distal and proximal half-

sections 110a, 110b define a handle housing 102 having a cavity 102a therein in which a circuit board 150 and a drive mechanism 160 is situated.

[0048] Distal and proximal half-sections 110a, 110b are divided along a plane that traverses a longitudinal axis "X" of upper housing portion 108, as seen in FIG. 3.

[0049] Handle housing 102 includes a gasket 112 extending completely around a rim of distal half-section and/or proximal half-section 110a, 110b and being interposed between distal half-section 110a and proximal half-section 110b. Gasket 112 seals the perimeter of distal half-section 110a and proximal half-section 110b. Gasket 112 functions to establish an air-tight seal between distal half-section 110a and proximal half-section 110b such that circuit board 150 and drive mechanism 160 are protected from sterilization and/or cleaning procedures.

[0050] In this manner, the cavity 102a of handle housing 102 is sealed along the perimeter of distal half-section 110a and proximal half-section 110b yet is configured to enable easier, more efficient assembly of circuit board 150 and a drive mechanism 160 in handle housing 102.

[0051] Intermediate housing portion 106 of handle housing 102 provides a housing in which circuit board 150 is situated. Circuit board 150 is configured to control the various operations of surgical device 100, as will be set forth in additional detail below.

[0052] Lower housing portion 104 of surgical device 100 defines an aperture (not shown) formed in an upper surface thereof and which is located beneath or within intermediate housing portion 106. The aperture of lower housing portion 104 provides a passage through which wires 152 pass to electrically interconnect electrical components (a battery 156, as illustrated in FIG. 4,

a circuit board 154, as illustrated in FIG. 3, etc.) situated in lower housing portion 104 with electrical components (circuit board 150, drive mechanism 160, etc.) situated in intermediate housing portion 106 and/or upper housing portion 108.

[0053] Handle housing 102 includes a gasket 103 disposed within the aperture of lower housing portion 104 (not shown) thereby plugging or sealing the aperture of lower housing portion 104 while allowing wires 152 to pass therethrough. Gasket 103 functions to establish an air-tight seal between lower housing portion 106 and intermediate housing portion 108 such that circuit board 150 and drive mechanism 160 are protected from sterilization and/or cleaning procedures.

[0054] As shown, lower housing portion 104 of handle housing 102 provides a housing in which a rechargeable battery 156, is removably situated. Battery 156 is configured to supply power to any of the electrical components of surgical device 100. Lower housing portion 104 defines a cavity (not shown) into which battery 156 is inserted. Lower housing portion 104 includes a door 105 pivotally connected thereto for closing cavity of lower housing portion 104 and retaining battery 156 therein.

[0055] With reference to FIGS. 3 and 5, distal half-section 110a of upper housing portion 108 defines a nose or connecting portion 108a. A nose cone 114 is supported on nose portion 108a of upper housing portion 108. Nose cone 114 is fabricated from a transparent material. An illumination member 116 is disposed within nose cone 114 such that illumination member 116 is visible therethrough. Illumination member 116 is in the form of a light emitting diode printed circuit board (LED PCB). Illumination member 116 is configured to illuminate multiple colors with a specific color pattern being associated with a unique discrete event.

[0056] Upper housing portion 108 of handle housing 102 provides a housing in which drive mechanism 160 is situated. As illustrated in FIG. 5, drive mechanism 160 is configured to drive shafts and/or gear components in order to perform the various operations of surgical device 100. In particular, drive mechanism 160 is configured to drive shafts and/or gear components in order to selectively move tool assembly 304 of end effector 300 (see FIGS. 1 and 20) relative to proximal body portion 302 of end effector 300, to rotate end effector 300 about a longitudinal axis "X" (see FIG. 3) relative to handle housing 102, to move anvil assembly 306 relative to cartridge assembly 308 of end effector 300, and/or to fire a stapling and cutting cartridge within cartridge assembly 308 of end effector 300.

[0057] The drive mechanism 160 includes a selector gearbox assembly 162 that is located immediately proximal relative to adapter 200. Proximal to the selector gearbox assembly 162 is a function selection module 163 having a first motor 164 that functions to selectively move gear elements within the selector gearbox assembly 162 into engagement with an input drive component 165 having a second motor 166.

[0058] As illustrated in FIGS. 1-4, and as mentioned above, distal half-section 110a of upper housing portion 108 defines a connecting portion 108a configured to accept a corresponding drive coupling assembly 210 of adapter 200.

[0059] As illustrated in FIGS. 6-8, connecting portion 108a of surgical device 100 has a cylindrical recess 108b that receives a drive coupling assembly 210 of adapter 200 when adapter 200 is mated to surgical device 100. Connecting portion 108a houses three rotatable drive connectors 118, 120, 122.

[0060] When adapter 200 is mated to surgical device 100, each of rotatable drive connectors 118, 120, 122 of surgical device 100 couples with a corresponding rotatable connector sleeve 218, 220, 222 of adapter 200. (see FIG. 6). In this regard, the interface between corresponding first drive connector 118 and first connector sleeve 218, the interface between corresponding second drive connector 120 and second connector sleeve 220, and the interface between corresponding third drive connector 122 and third connector sleeve 222 are keyed such that rotation of each of drive connectors 118, 120, 122 of surgical device 100 causes a corresponding rotation of the corresponding connector sleeve 218, 220, 222 of adapter 200.

[0061] The mating of drive connectors 118, 120, 122 of surgical device 100 with connector sleeves 218, 220, 222 of adapter 200 allows rotational forces to be independently transmitted via each of the three respective connector interfaces. The drive connectors 118, 120, 122 of surgical device 100 are configured to be independently rotated by drive mechanism 160. In this regard, the function selection module 163 of drive mechanism 160 selects which drive connector or connectors 118, 120, 122 of surgical device 100 is to be driven by the input drive component 165 of drive mechanism 160.

[0062] Since each of drive connectors 118, 120, 122 of surgical device 100 has a keyed and/or substantially non-rotatable interface with respective connector sleeves 218, 220, 222 of adapter 200, when adapter 200 is coupled to surgical device 100, rotational force(s) are selectively transferred from drive mechanism 160 of surgical device 100 to adapter 200.

[0063] The selective rotation of drive connector(s) 118, 120 and/or 122 of surgical device 100 allows surgical device 100 to selectively actuate different functions of end effector 300. As will be discussed in greater detail below, selective and independent rotation of first drive

connector 118 of surgical device 100 corresponds to the selective and independent opening and closing of tool assembly 304 of end effector 300, and driving of a stapling/cutting component of tool assembly 304 of end effector 300. Also, the selective and independent rotation of second drive connector 120 of surgical device 100 corresponds to the selective and independent articulation of tool assembly 304 of end effector 300 transverse to longitudinal axis "X" (see FIG. 3). Additionally, the selective and independent rotation of third drive connector 122 of surgical device 100 corresponds to the selective and independent rotation of end effector 300 about longitudinal axis "X" (see FIG. 3) relative to handle housing 102 of surgical device 100.

[0064] As mentioned above and as illustrated in FIGS. 5 and 8, drive mechanism 160 includes a selector gearbox assembly 162; a function selection module 163, located proximal to the selector gearbox assembly 162, that functions to selectively move gear elements within the selector gearbox assembly 162 into engagement with second motor 166. Thus, drive mechanism 160 selectively drives one of drive connectors 118, 120, 122 of surgical device 100 at a given time.

[0065] As illustrated in FIGS. 1-3 and FIG. 9, handle housing 102 supports a trigger housing 107 on a distal surface or side of intermediate housing portion 108. Trigger housing 107, in cooperation with intermediate housing portion 108, supports a pair of finger-actuated control buttons 124, 126 and rocker devices 128, 130. In particular, trigger housing 107 defines an upper aperture 124a for slidably receiving a first control button 124, and a lower aperture 126b for slidably receiving a second control button 126.

[0066] Each one of the control buttons 124, 126 and rocker devices 128, 130 includes a respective magnet (not shown) that is moved by the actuation of an operator. In addition, circuit

board 150 includes, for each one of the control buttons 124, 126 and rocker devices 128, 130, respective Hall-effect switches 150a-150d that are actuated by the movement of the magnets in the control buttons 124, 126 and rocker devices 128, 130. In particular, located immediately proximal to the control button 124 is a first Hall-effect switch 150a (see FIGS. 3 and 7) that is actuated upon the movement of a magnet within the control button 124 upon the operator actuating control button 124. The actuation of first Hall-effect switch 150a, corresponding to control button 124, causes circuit board 150 to provide appropriate signals to function selection module 163 and input drive component 165 of the drive mechanism 160 to close a tool assembly 304 of end effector 300 and/or to fire a stapling/cutting cartridge within tool assembly 304 of end effector 300.

[0067] Also, located immediately proximal to rocker device 128 is a second Hall-effect switch 150b (see FIGS. 3 and 7) that is actuated upon the movement of a magnet (not shown) within rocker device 128 upon the operator actuating rocker device 128. The actuation of second Hall-effect switch 150b, corresponding to rocker device 128, causes circuit board 150 to provide appropriate signals to function selection module 163 and input drive component 165 of drive mechanism 160 to articulate tool assembly 304 relative to body portion 302 of end effector 300. Advantageously, movement of rocker device 128 in a first direction causes tool assembly 304 to articulate relative to body portion 302 in a first direction, while movement of rocker device 128 in an opposite, e.g., second, direction causes tool assembly 304 to articulate relative to body portion 302 in an opposite, e.g., second, direction.

[0068] Furthermore, located immediately proximal to control button 126 is a third Hall-effect switch 150c (see FIGS. 3 and 7) that is actuated upon the movement of a magnet (not shown) within control button 126 upon the operator actuating control button 126. The actuation

of third Hall-effect switch 150c, corresponding to control button 126, causes circuit board 150 to provide appropriate signals to function selection module 163 and input drive component 165 of drive mechanism 160 to open tool assembly 304 of end effector 300.

[0069] In addition, located immediately proximal to rocker device 130 is a fourth Hall-effect switch 150d (see FIGS. 3 and 7) that is actuated upon the movement of a magnet (not shown) within rocker device 130 upon the operator actuating rocker device 130. The actuation of fourth Hall-effect switch 150d, corresponding to rocker device 130, causes circuit board 150 to provide appropriate signals to function selection module 163 and input drive component 165 of drive mechanism 160 to rotate end effector 300 relative to handle housing 102 surgical device 100. Specifically, movement of rocker device 130 in a first direction causes end effector 300 to rotate relative to handle housing 102 in a first direction, while movement of rocker device 130 in an opposite, e.g., second, direction causes end effector 300 to rotate relative to handle housing 102 in an opposite, e.g., second, direction.

[0070] As seen in FIGS. 1-3, surgical device 100 includes a fire button or safety switch 132 supported between intermediate housing portion 108 and upper housing portion, and situated above trigger housing 107. In use, tool assembly 304 of end effector 300 is actuated between opened and closed conditions as needed and/or desired. In order to fire end effector 300, to expel fasteners therefrom when tool assembly 304 of end effector 300 is in a closed condition, safety switch 132 is depressed thereby instructing surgical device 100 that end effector 300 is ready to expel fasteners therefrom.

[0071] As illustrated in FIGS. 1 and 10-25, surgical device 100 is configured for selective connection with adapter 200, and, in turn, adapter 200 is configured for selective connection with end effector 300.

[0072] Adapter 200 is configured to convert a rotation of either of drive connectors 120 and 122 of surgical device 100 into axial translation useful for operating a drive assembly 360 and an articulation link 366 of end effector 300, as illustrated in FIG. 26 and as will be discussed in greater detail below.

[0073] Adapter 200 includes a first drive transmitting/converting assembly for interconnecting third rotatable drive connector 122 of surgical device 100 and a first axially translatable drive member 360 of end effector 300, wherein the first drive transmitting/converting assembly converts and transmits a rotation of third rotatable drive connector 122 of surgical device 100 to an axial translation of the first axially translatable drive assembly 360 of end effector 300 for firing.

[0074] Adapter 200 includes a second drive transmitting/converting assembly for interconnecting second rotatable drive connector 120 of surgical device 100 and a second axially translatable drive member 366 of end effector 300, wherein the second drive transmitting/converting assembly converts and transmits a rotation of second rotatable drive connector 120 of surgical device 100 to an axial translation of articulation link 366 of end effector 300 for articulation.

[0075] Turning now to FIG. 10, adapter 200 includes a knob housing 202 and an outer tube 206 extending from a distal end of knob housing 202. Knob housing 202 and outer tube 206 are configured and dimensioned to house the components of adapter 200. Outer tube 206 is

dimensioned for endoscopic insertion, in particular, that outer tube is passable through a typical trocar port, cannula or the like. Knob housing 202 is dimensioned to not enter the trocar port, cannula of the like.

[0076] Knob housing 202 is configured and adapted to connect to connecting portion 108a of upper housing portion 108 of distal half-section 110a of surgical device 100.

[0077] As seen in FIGS. 10, 11 and 14 adapter 200 includes a surgical device drive coupling assembly 210 at a proximal end thereof and an end effector coupling assembly 230 at a distal end thereof. Drive coupling assembly 210 includes a drive coupling housing 210a rotatably supported, at least partially, in knob housing 202. Drive coupling assembly 210 rotatably supports a first rotatable proximal drive shaft or element 212, a second rotatable proximal drive shaft or element 214, and a third rotatable proximal drive shaft or element 216 therein (see FIG. 15, for example).

[0078] As seen in FIG. 19, drive coupling housing 210a is configured to rotatably support first, second and third connector sleeves 218, 220 and 222, respectively. Each of connector sleeves 218, 220, 222 is configured to mate with respective first, second and third drive connectors 118, 120, 122 of surgical device 100, as described above. Each of connector sleeves 218, 220, 222 is further configured to mate with a proximal end of respective first, second and third proximal drive shafts or elements 212, 214, 216.

[0079] With particular reference to FIGS. 19 and 22, proximal drive coupling assembly 210 includes a first, a second and a third biasing member 224, 226 and 228 disposed distally of respective first, second and third connector sleeves 218, 220, 222. Each of biasing members 224, 226 and 228 is disposed about respective first, second and third rotatable proximal drive shaft

212, 214 and 216. Biasing members 224, 226 and 228 act on respective connector sleeves 218, 220 and 222 to help maintain connector sleeves 218, 220 and 222 engaged with the distal end of respective drive rotatable drive connectors 118, 120, 122 of surgical device 100 when adapter 200 is connected to surgical device 100.

[0080] In particular, first, second and third biasing members 224, 226 and 228 function to bias respective connector sleeves 218, 220 and 222 in a proximal direction. In this manner, during assembly of adapter 200 to surgical device 100, if first, second and/or third connector sleeves 218, 220 and/or 222 is/are misaligned with the drive connectors 118, 120, 122 of surgical device 100, first, second and/or third biasing member(s) 224, 226 and/or 228 are compressed. Thus, when drive mechanism 160 of surgical device 100 is engaged, drive connectors 118, 120, 122 of surgical device 100 will rotate and first, second and/or third biasing member(s) 224, 226 and/or 228 will cause respective first, second and/or third connector sleeve(s) 218, 220 and/or 222 to slide back proximally, effectively coupling drive connectors 118, 120, 122 of surgical device 100 to first, second and/or third proximal drive shaft(s) 212, 214 and 216 of proximal drive coupling assembly 210.

[0081] Upon calibration of surgical device 100, each of drive connectors 118, 120, 122 of surgical device 100 is rotated and the bias on connector sleeve(s) 218, 220 and 222 properly seats connector sleeve(s) 218, 220 and 222 over the respective drive connectors 118, 120, 122 of surgical device 100 when the proper alignment is reached.

[0082] Adapter 200, as seen in FIGS. 11, 14 and 20, includes a first, a second and a third drive transmitting/converting assembly 240, 250, 260, respectively, disposed within handle housing 202 and outer tube 206. Each drive transmitting/converting assembly 240, 250, 260 is

configured and adapted to transmit or convert a rotation of a first, second and third drive connector 118, 120, 122 of surgical device 100 into axial translation of a distal drive member 248 and drive bar (or articulation bar) 258 of adapter 200, to effectuate closing, opening, articulating and firing of end effector 300; or a rotation of ring gear 266 of adapter 200, to effectuate rotation of handle housing 202 of adapter 200.

[0083] As seen in FIGS. 11-13, first drive transmitting/converting assembly 240 includes a first distal drive shaft 242 rotatably supported within housing 202 and outer tube 206. A proximal end portion 242a of first distal drive shaft 242 extends distally from first proximal drive shaft 212. First distal drive shaft 242 further includes a threaded portion 242b having a threaded outer profile or surface.

[0084] First drive transmitting/converting assembly 240 further includes a drive coupling nut 244 rotatably coupled to threaded distal end portion 242b of first distal drive shaft 242, and which is slidably disposed within outer tube 206. Drive coupling nut 244 is keyed to an inner housing tube 206a of outer tube 206 so as to be prevented from rotation as first distal drive shaft 242 is rotated. In this manner, as first distal drive shaft 242 is rotated, drive coupling nut 244 is translated longitudinally through and/or along inner housing tube 206a of outer tube 206.

[0085] First drive transmitting/converting assembly 240 further includes a distal drive member 248 that is mechanically engaged with drive coupling nut 244, such that axial movement of drive coupling nut 244 results in a corresponding amount of axial movement of distal drive member 248. More particularly, distal end of coupling nut 244 includes at least one inwardly depending projection 245 that engages at least one corresponding groove 249 disposed on a proximal portion of the distal drive member 248 (see FIG. 11). The distal end portion of distal

drive member 248 supports a connection member 247 configured and dimensioned for selective engagement with drive member 374 of drive assembly 360 of end effector 300.

[0086] In operation, as first rotatable proximal drive shaft 212 is rotated, due to a rotation of first connector sleeve 218, as a result of the rotation of the first respective drive connector 118 of surgical device 100, first distal drive shaft 242 rotates. As first distal drive shaft 242 is rotated, drive coupling nut 244 is caused to be translated axially along first distal drive shaft 242. As drive coupling nut 244 is caused to be translated axially along first distal drive shaft 242, distal drive member 248 is caused to be translated axially relative to inner housing tube 206a of outer tube 206. As distal drive member 248 is translated axially, with connection member 247 connected thereto and engaged with drive member 374 of drive assembly 360 of end effector 300, distal drive member 248 causes concomitant axial translation of drive member 374 of end effector 300 to effectuate a closure of tool assembly 304 and a firing of tool assembly 304 of end effector 300.

[0087] With reference to FIGS. 13-22, second drive converter assembly 250 of adapter 200 includes second rotatable proximal drive shaft 216 rotatably supported within drive coupling assembly 210. Second rotatable proximal drive shaft 216 includes a non-circular or shaped proximal end portion configured for connection with second connector or coupler 222 which is connected to respective second connector 120 of surgical device 100. Second rotatable proximal drive shaft 216 further includes a distal end portion 216b having a threaded outer profile or surface.

[0088] Distal end portion 216b of proximal drive shaft 216 is threadably engaged with a nut 252. Nut 252 is disposed in mechanical cooperation with a proximal portion 254a of an

articulation sleeve 254. For example, nut 252 extends through a recess 255 within articulation sleeve 254. A distal portion 254b of articulation sleeve 254 is disposed in mechanical cooperation (e.g., attached or coupled to) with an articulation bearing 261, and in particular with an inner sleeve 262 of articulation bearing 261. An outer sleeve 264 of articulation bearing 261 is mechanically coupled to a proximal portion 258a of articulation bar 258. A distal portion 258b of articulation bar 258 includes a slot 272 therein, which is configured to accept a portion (e.g., a flag, articulation link 366, etc.) of loading unit 300. Further, slot 272 includes a tapered entry section 274, which is configured to reduce the clearance between loading unit 300 and articulation bar 258, thus facilitating alignment and/or engagement therebetween.

[0089] With further regard to articulation bearing 261, articulation bearing 261 is both rotatable and longitudinally translatable. Additionally, it is envisioned that articulation bearing 261 allows for free, unimpeded rotational movement of loading unit 300 when its jaw members 306, 308 are in an approximated position and/or when jaw members 306, 308 are articulated. Further, articulation bearing 261 reduces the amount of friction that is typically associated with rotation of articulated and/or approximated jaw members, as articulated and/or approximated jaw members generally generate significant loads on the rotational and/or articulation systems.

[0090] In operation, as drive shaft 216 is rotated due to a rotation of second connector sleeve 222, as a result of the rotation of the second drive connector 120 of surgical device 100, nut 252 is caused to be translated axially along threaded distal end portion 216b of proximal drive shaft 216, which in turn causes articulation sleeve 254 to be axially translated relative to knob housing 202. As articulation sleeve 254 is translated axially, articulation bearing 261 is caused to be translated axially. Accordingly, as articulation bearing 261 is translated axially,

articulation bar 258 is caused to axially translate, which causes concomitant axial translation of an articulation link 366 of end effector 300 to effectuate an articulation of tool assembly 304.

[0091] As seen in FIGS. 20-25 and as mentioned above, adapter 200 includes a third drive transmitting/converting assembly 260 supported in knob housing 202. Third drive transmitting/converting assembly 260 includes a tube assembly 400, a rotation bearing 410, a rotation ring gear 420, an idler gear 430 and a spur gear 440. Tube assembly 400 includes a housing tip 402, a tube 206 and a tube coupler 406. Housing tip 402 is distally disposed adjacent connection member 247. Tube coupler 406 is disposed adjacent a proximal end of tube assembly 400. Tube 206 extends between housing tip 402 and tube coupler 406. As shown in FIG. 24, tube coupler 406 is mechanically coupled adjacent distal ends of upper and lower portions handle or knob housing 202. The proximal portion of knob housing 202 is positioned around rotation bearing 410, which allows rotation therebetween.

[0092] With further regard to rotation bearing 410, rotation bearing 410 is non-rotatable with respect to drive coupling housing 210a, and is both rotatable and longitudinally translatable with respect to knob housing 202. Additionally, it is envisioned that rotation bearing 410 allows for free, unimpeded rotational movement of loading unit 300 when its jaw members 306, 308 are in an approximated position and/or when jaw members are articulated. Further, rotation bearing 410 reduces the amount of friction that is typically associated with rotation of articulated and/or approximated jaw members, as articulated and/or approximated jaw members generally generate significant loads on the rotational and/or articulation systems.

[0093] Rotation ring gear 420 is disposed distally of rotation bearing 410 and is non-rotatable with respect to knob housing 202 (e.g., due to protrusions 421 of ring gear 420 being

captured by corresponding recesses in knob housing 202). Rotation ring gear 420 includes a plurality of teeth 422 disposed around an inner circumference thereof. Idler gear 430 is rotatable about a pin 434, and includes a plurality of teeth 432 disposed around an outer circumference thereof, which are configured and positioned to engage teeth 422 of rotation ring gear 420. Spur gear 440 includes a plurality of teeth 442 disposed around an outer circumference thereof, which are configured and positioned to engage teeth 432 of idler gear 430. Additionally, spur gear 440 is attached to second rotatable proximal drive shaft 214.

[0094] In operation, rotation of second drive connector 120 of surgical device 100 causes second connector sleeve 220 and drive shaft 214 to rotate. Rotation of drive shaft 214 causes spur gear 440 to rotate. Rotation of spur gear 440 results in rotation of idler gear 430, which causes ring gear 420 to likewise rotate. Since ring gear 420 is non-rotatable with respect to knob housing 202, rotation of ring gear 420 causes knob housing 202 to rotate. Further, due to the engagement between knob housing 202 and tube coupler 406, rotation of knob housing 202 causes tube coupler 406, tube 206, housing tip 402, and distal coupling assembly 230 to rotate about longitudinal axis "A-A" defined by adapter 200 (see FIG. 1). As distal coupling assembly 230 is rotated, end effector 300, that is connected to distal coupling assembly 230, is also caused to be rotated about longitudinal axis of adapter 200

[0095] With reference to FIGS. 21 and 22, adapter 200 further includes a lock mechanism 280 for fixing the axial position and radial orientation of distal drive member 248. Lock mechanism 280 includes a button 282 slidably supported on knob housing 202. Lock button 282 is connected to an actuation bar 284 that extends longitudinally through outer tube 206. Actuation bar 284 is interposed between outer tube 206 and inner housing tube 206a. Actuation bar 284 moves upon a movement of lock button 282. Upon a predetermined amount

of movement of lock button 282, a distal end 284a of actuation bar 284 moves into contact with lock out 286, which causes lock out 286 to cam a camming member 288 from a recess 249 in distal drive member 248. When camming member 288 is in engagement with recess 249 (e.g., at least partially within recess 249), the engagement between camming member 288 and distal drive member 248 effectively locks the axial and rotational position of end effector 300 that is engaged with connection member 247.

[0096] In operation, in order to lock the position and/or orientation of distal drive member 248, a user moves lock button 282 from a distal position to a proximal position, thereby causing lock out 286 to move proximally such that a distal face 286a of lock out 286 moves out of contact with camming member 288, which causes camming member 288 to cam into recess 249 of distal drive member 248. In this manner, distal drive member 248 is prevented from distal and/or proximal movement. When lock button 282 is moved from the proximal position to the distal position, distal end 284a of actuation bar 284 moves distally into lock out 286, against the bias of biasing member 289, to force camming member 288 to out of recess 249, thereby allowing unimpeded axial translation and radial movement of distal drive member 248. When drive member 248 has translated to initiate closure of tool assembly 304, lock button 282 cannot be actuated and the end effector 300 cannot be removed until tool assembly 304 is reopened.

[0097] As seen in FIG., 6 adapter 200 includes a pair of electrical contact pins 290a, 290b for electrical connection to a corresponding electrical plug 190a, 190b disposed in connecting portion 108a of surgical device 100. Electrical contacts 290a, 290b serve to allow for calibration and communication of life-cycle information to circuit board 150 of surgical device 100 via electrical plugs 190a, 190b that are electrically connected to circuit board 150. Adapter

200 further includes a circuit board supported in knob housing 202 and which is in electrical communication with electrical contact pins 290a, 290b.

[0098] When a button of surgical device is activated by the user, the software checks predefined conditions. If conditions are met, the software controls the motors and delivers mechanical drive to the attached surgical stapler, which can then open, close, rotate, articulate or fire depending on the function of the pressed button. The software also provides feedback to the user by turning colored lights on or off in a defined manner to indicate the status of surgical device 100, adapter 200 and/or end effector 300.

[0099] A high level electrical architectural view of the system is displayed below in Schematic “A” and shows the connections to the various hardware and software interfaces. Inputs from presses of buttons 124, 126 and from motor encoders of the drive shaft are shown on the left side of Schematic “A”. The microcontroller contains the device software that operates surgical device 100, adapter 200 and/or end effector 300. The microcontroller receives inputs from and sends outputs to a MicroLAN, an Ultra ID chip, a Battery ID chip, and Adaptor ID chips. The MicroLAN, the Ultra ID chip, the Battery ID chip, and the Adaptor ID chips control surgical device 100, adapter 200 and/or end effector 300 as follows:

- MicroLAN – Serial 1-wire bus communication to read/write system component ID information.
- Ultra ID chip – identifies surgical device 100 and records usage information.

- Battery ID chip – identifies the Battery 156 and records usage information.
- Adaptor ID chip – identifies the type of adapter 200, records the presence of an end effector 300, and records usage information.

[00100] The right side of the schematic illustrated in FIG. 27 indicates outputs to the LEDs; selection of motor (to select clamping/cutting, rotation or articulation); and selection of the drive motors to perform the function selected.

[00101] As illustrated in FIGS. 1 and 26, the end effector is designated as 300. End effector 300 is configured and dimensioned for endoscopic insertion through a cannula, trocar or the like. In particular, in the embodiment illustrated in FIGS. 1 and 26, end effector 300 may pass through a cannula or trocar when end effector 300 is in a closed condition.

[00102] End effector 300 includes a proximal body portion 302 and a tool assembly 304. Proximal body portion 302 is releasably attached to a distal coupling 230 of adapter 200 and tool assembly 304 is pivotally attached to a distal end of proximal body portion 302. Tool assembly 304 includes an anvil assembly 306 and a cartridge assembly 308. Cartridge assembly 308 is pivotal in relation to anvil assembly 306 and is movable between an open or unclamped position and a closed or clamped position for insertion through a cannula of a trocar.

[00103] Proximal body portion 302 includes at least a drive assembly 360 and an articulation link 366.

[00104] Referring to FIG. 26, drive assembly 360 includes a flexible drive beam 364 having a distal end which is secured to a dynamic clamping member 365, and a proximal engagement section 368. Engagement section 368 includes a stepped portion defining a shoulder 370. A proximal end of engagement section 368 includes diametrically opposed inwardly extending fingers 372. Fingers 372 engage a hollow drive member 374 to fixedly secure drive member 374 to the proximal end of beam 364. Drive member 374 defines a proximal porthole 376 which receives connection member 247 of drive tube 246 of first drive converter assembly 240 of adapter 200 when end effector 300 is attached to distal coupling 230 of adapter 200.

[00105] When drive assembly 360 is advanced distally within tool assembly 304, an upper beam of clamping member 365 moves within a channel defined between anvil plate 312 and anvil cover 310 and a lower beam moves over the exterior surface of carrier 316 to close tool assembly 304 and fire staples therefrom.

[00106] Proximal body portion 302 of end effector 300 includes an articulation link 366 having a hooked proximal end 366a which extends from a proximal end of end effector 300. Hooked proximal end 366a of articulation link 366 engages coupling hook 258c of drive bar 258 of adapter 200 when end effector 300 is secured to distal housing 232 of adapter 200. When drive bar 258 of adapter 200 is advanced or retracted as described above, articulation link 366 of end effector 300 is advanced or retracted within end effector 300 to pivot tool assembly 304 in relation to a distal end of proximal body portion 302.

[00107] As illustrated in FIG. 26, cartridge assembly 308 of tool assembly 304 includes a staple cartridge 305 supportable in carrier 316. Staple cartridge 305 defines a central longitudinal slot 305a, and three linear rows of staple retention slots 305b positioned on each

side of longitudinal slot 305a. Each of staple retention slots 305b receives a single staple 307 and a portion of a staple pusher 309. During operation of surgical device 100, drive assembly 360 abuts an actuation sled and pushes actuation sled through cartridge 305. As the actuation sled moves through cartridge 305, cam wedges of the actuation sled sequentially engage staple pushers 309 to move staple pushers 309 vertically within staple retention slots 305b and sequentially eject a single staple 307 therefrom for formation against anvil plate 312.

[00108] Reference may be made to U.S. Patent Publication No. 2009/0314821, filed on August 31, 2009, entitled "TOOL ASSEMBLY FOR A SURGICAL STAPLING DEVICE" for a detailed discussion of the construction and operation of end effector 300.

[00109] It will be understood that various modifications may be made to the embodiments of the presently disclosed adapter assemblies. For example, the battery 156 may be replaced with alternate sources of electrical power such as line voltage (either AC or DC) or a fuel cell. Therefore, the above description should not be construed as limiting, but merely as exemplifications of embodiments. Those skilled in the art will envision other modifications within the scope and spirit of the present disclosure.

IN THE CLAIMS

What is claimed is:

1. A surgical device, comprising:

a device housing defining a connecting portion for selectively connecting with an adapter assembly;

at least one drive motor supported in the device housing and being configured to rotate at least one drive shaft;

a battery disposed in electrical communication with the at least one drive motor; and

a circuit board disposed within the housing for controlling power delivered from the battery to the at least one drive motor;

an end effector configured to perform at least one function, the end effector including at least one axially translatable drive member; and

an adapter assembly for selectively interconnecting the end effector and the device housing, the adapter assembly including:

a knob housing configured and adapted for selective connection to the device housing and to be in operative communication with each of the at least one rotatable drive shaft;

at least one drive converter assembly for interconnecting a respective one of the at least one rotatable drive shaft and one of the at least one axially translatable drive member of the end effector, wherein the at least one drive converter assembly converts and transmits a rotation of the rotatable drive shaft to an axial translation of the at least one axially translatable drive member of the end effector, wherein the at least one drive converter assembly includes a first drive converter assembly including:

a first drive element rotatably supported in the knob housing, wherein a proximal end of the first drive element is engagable with the rotatable drive shaft;

a nut threadably connected to a threaded distal portion of the first drive element;

an articulation sleeve, a proximal portion of the articulation sleeve disposed in mechanical cooperation with the nut;

an articulation bearing disposed in mechanical cooperation with a distal portion of the articulation sleeve; and

an articulation link, a proximal portion of the articulation link being disposed in mechanical cooperation with the articulation bearing, a distal portion of the articulation link configured for selective engagement with the at least one axially translatable drive member of the end effector;

wherein rotation of the rotatable drive shaft results in rotation of the first drive element, and wherein rotation of the first drive element results in axial translation of the nut, the articulation sleeve, the articulation bearing, the articulation link, and the at least one axially translatable drive member of the end effector.

2. The surgical device of Claim 1, wherein the articulation bearing is configured for axial and rotatable movement with respect to the knob housing.

3. The surgical device of Claim 1, wherein the distal portion of the articulation sleeve is disposed in mechanically cooperation with a radially inner portion of the articulation bearing.

4. The surgical device of Claim 3, wherein the proximal portion of the articulation link is disposed in mechanical cooperation with a radially outer portion of the articulation bearing.

5. The surgical device of Claim 1, further comprising a second drive converter assembly including:

a second drive element rotatably supported in the knob housing, wherein a proximal end of the second drive element is connectable to a second rotatable drive shaft of the surgical device;

a first gear disposed in mechanical cooperation with a distal portion of the second drive element;

a second gear disposed in mechanical cooperation with the first gear; and

a gear ring disposed in mechanical cooperation with the second gear and being disposed in mechanical cooperation with the end effector, the gear ring being fixed from rotation with respect to the knob housing;

wherein rotation of the second rotatable drive shaft causes rotation of the first gear, rotation of the first gear causes rotation of the second gear, rotation of the second gear causes rotation of the gear ring, and rotation of the gear ring causes rotation of the end effector.

6. The surgical device of Claim 5, wherein the knob housing includes a drive coupling housing, the drive coupling housing being rotatable with respect to the remainder of the knob housing.

7. The surgical device of Claim 6, further including a rotation bearing, wherein the drive coupling housing is rotationally fixed to the rotation bearing, and wherein the knob housing is rotatable with respect to the rotation bearing.
8. The surgical device of Claim 5, wherein the gear ring includes a plurality of teeth disposed around an inner periphery thereof.
9. The surgical device of Claim 1, wherein a distal portion of the articulation link includes a slot therein configured to releasably accept a portion of the at least one axially translatable drive member of the end effector.
10. The surgical device of Claim 9, wherein the slot includes a tapered opening.
11. An adapter assembly for selectively interconnecting a surgical end effector and a handle assembly having at least one rotatable drive shaft, the adapter assembly comprising:
 - a knob housing configured and adapted for selective connection to a handle assembly, the knob housing including a drive coupling housing;
 - at least one drive converter assembly for interconnecting a respective one of the at least one rotatable drive shaft and a portion of a surgical end effector, wherein the at least one drive converter assembly converts and transmits a rotation of the rotatable drive shaft to an axial translation of the at least one axially translatable drive member of the end effector, wherein the at least one drive converter assembly includes a first drive converter assembly including:

a drive element rotatably supported in the adapter housing;

a first gear disposed in mechanical cooperation with a distal portion of the drive element;

a second gear disposed in mechanical cooperation with the first gear;

a gear ring disposed in mechanical cooperation with the second gear and disposed in mechanical cooperation with an end effector-engaging portion of the adapter assembly, the gear ring being fixed from rotation with respect to the adapter housing; and

a rotation bearing, wherein the drive coupling housing is rotationally fixed to the rotation bearing, and wherein the knob housing is rotatable with respect to the rotation bearing;

wherein rotation of the drive element causes rotation of the first gear, rotation of the first gear causes rotation of the second gear, rotation of the second gear causes rotation of the gear ring, and rotation of the gear ring causes rotation of the end effector-engaging portion of the adapter assembly.

12. The adapter assembly of Claim 11, wherein the gear ring includes a plurality of teeth disposed around an inner periphery thereof.

13. The adapter assembly of Claim 11, wherein the drive coupling housing is rotatable with respect to the remainder of the knob housing.

14. The adapter assembly of Claim 11, further comprising a second drive converter assembly comprising:

a second drive element rotatably supported in the knob housing;

a nut threadably connected to a threaded distal portion of the second drive element;

an articulation sleeve, a proximal portion of the articulation sleeve disposed in mechanical cooperation with the nut;

an articulation bearing disposed in mechanical cooperation with a distal portion of the articulation sleeve; and

an articulation link, a proximal portion of the articulation link being disposed in mechanical cooperation with the articulation bearing, a distal portion of the articulation link configured for selective engagement with a portion of an end effector;

wherein rotation of the second drive element results in axial translation of the nut, the articulation sleeve, the articulation bearing and the articulation link.

15. The adapter assembly of Claim 14, wherein the articulation bearing is configured for axial and rotatable movement with respect to the knob housing.

16. The adapter assembly of Claim 14, wherein the distal portion of the articulation sleeve is disposed in mechanical cooperation with a radially inner portion of the articulation bearing.

17. The adapter assembly of Claim 16, wherein the proximal portion of the articulation link is disposed in mechanical cooperation with a radially outer portion of the articulation bearing.

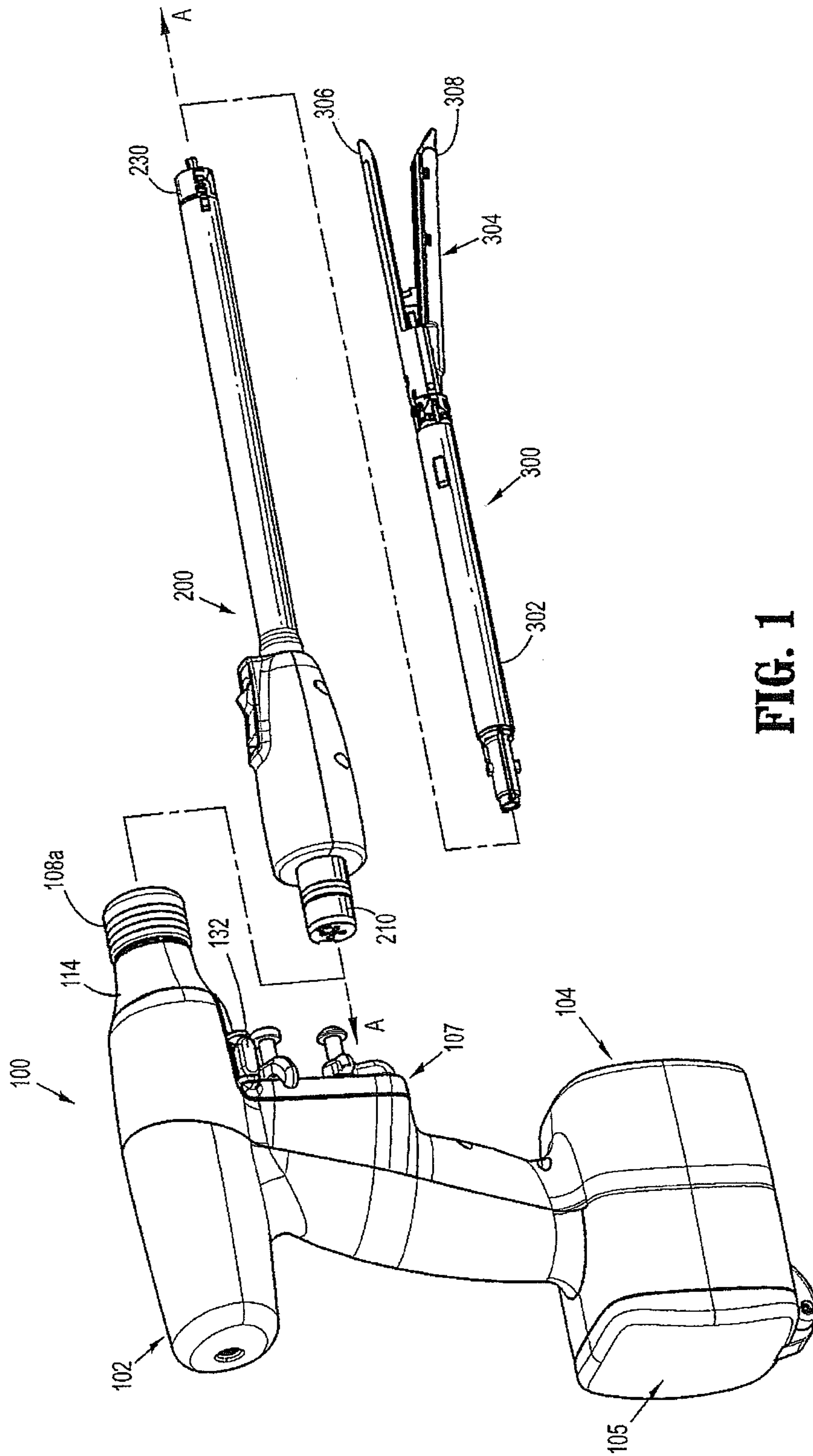


FIG. 1

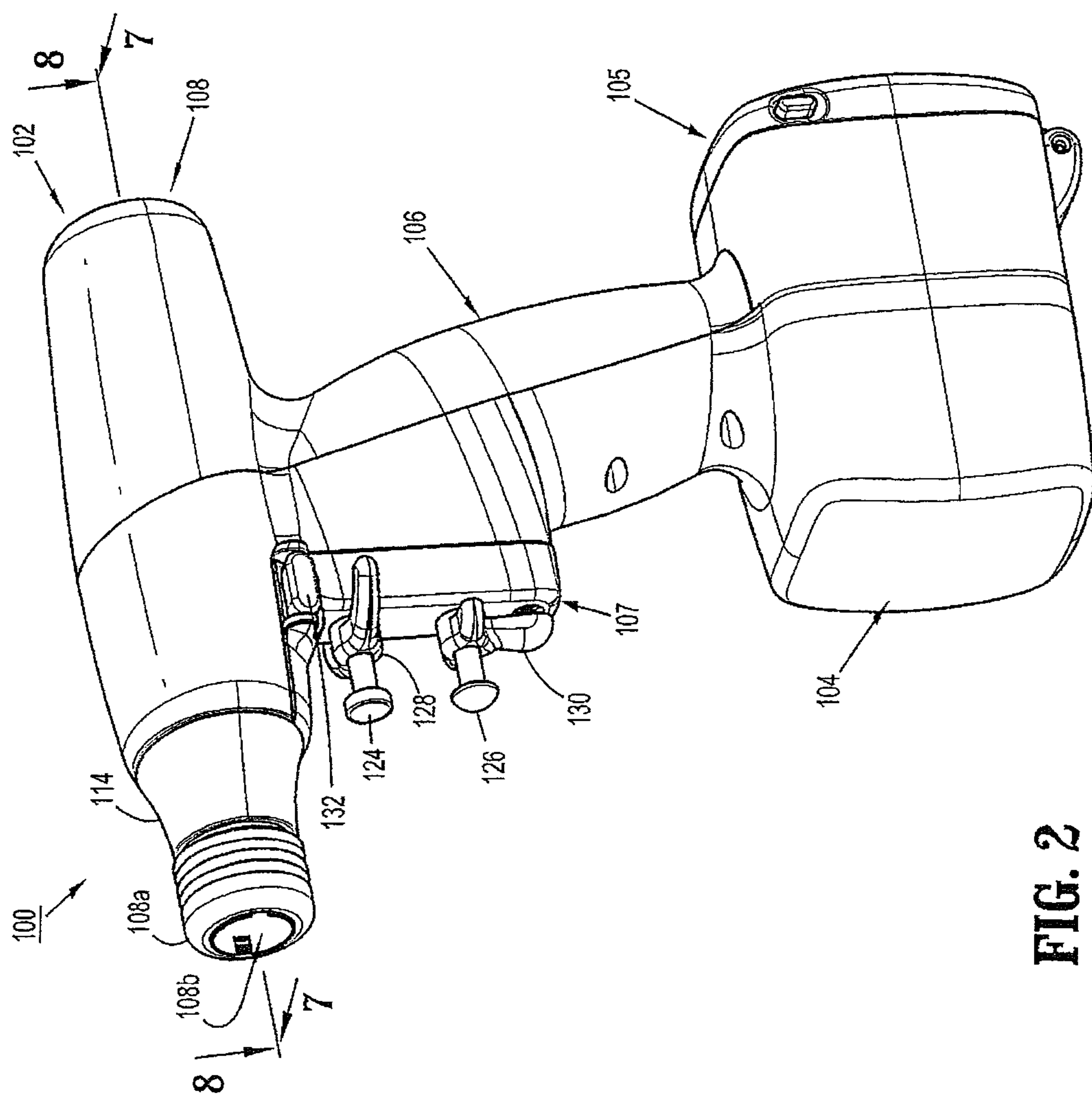


FIG. 2

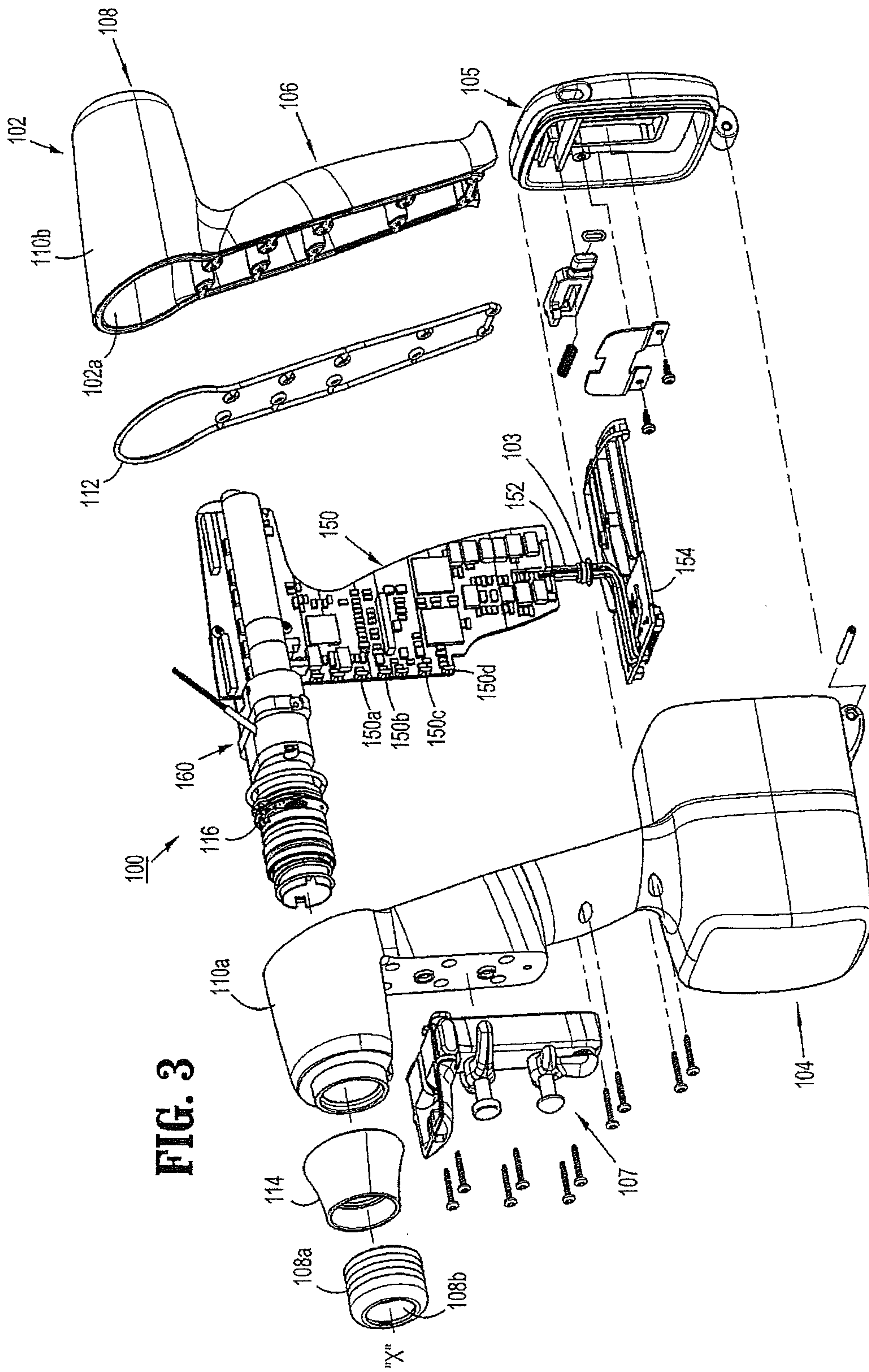


FIG. 3

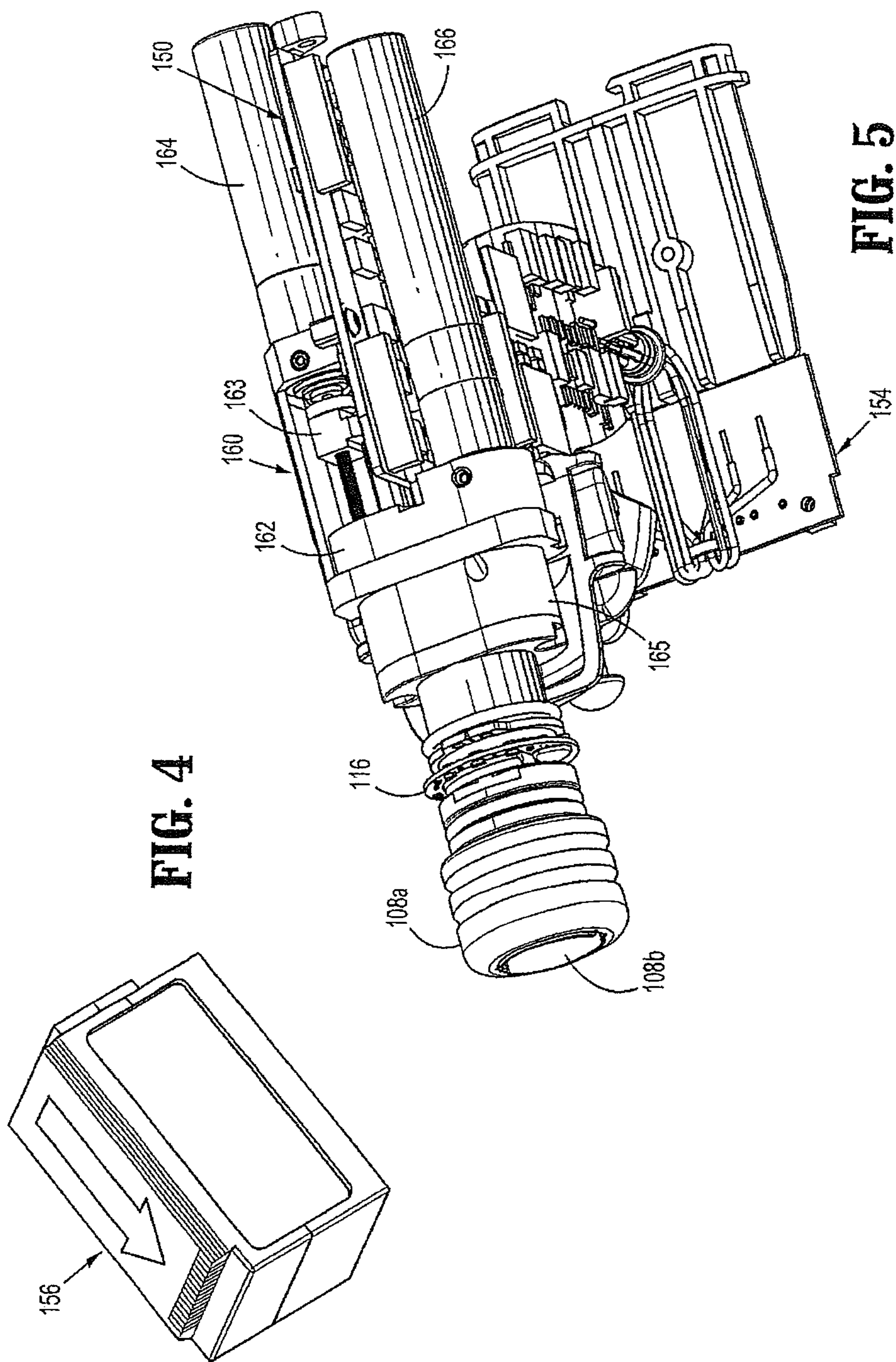


FIG. 4

FIG. 5

5/20

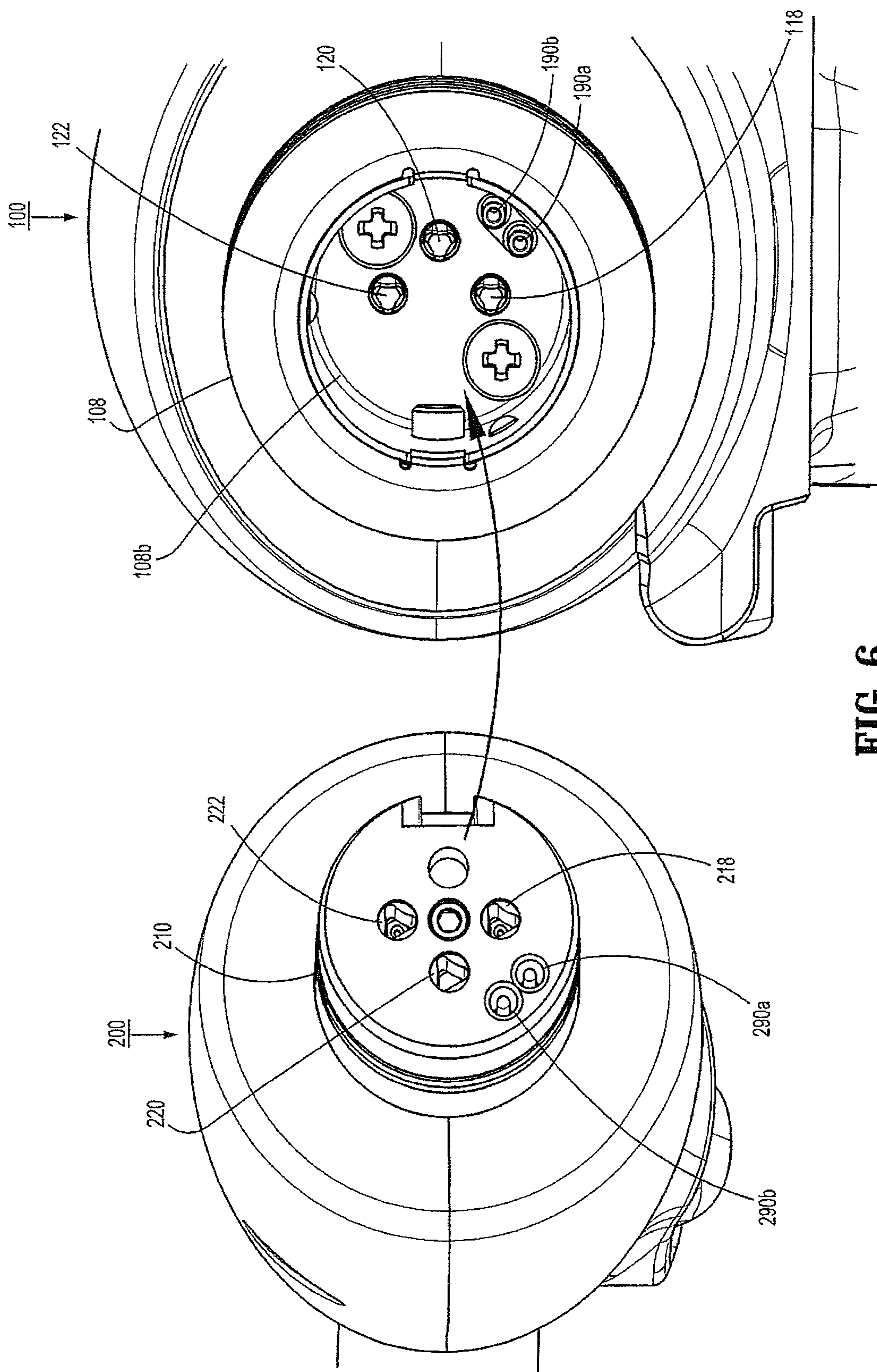


FIG. 6

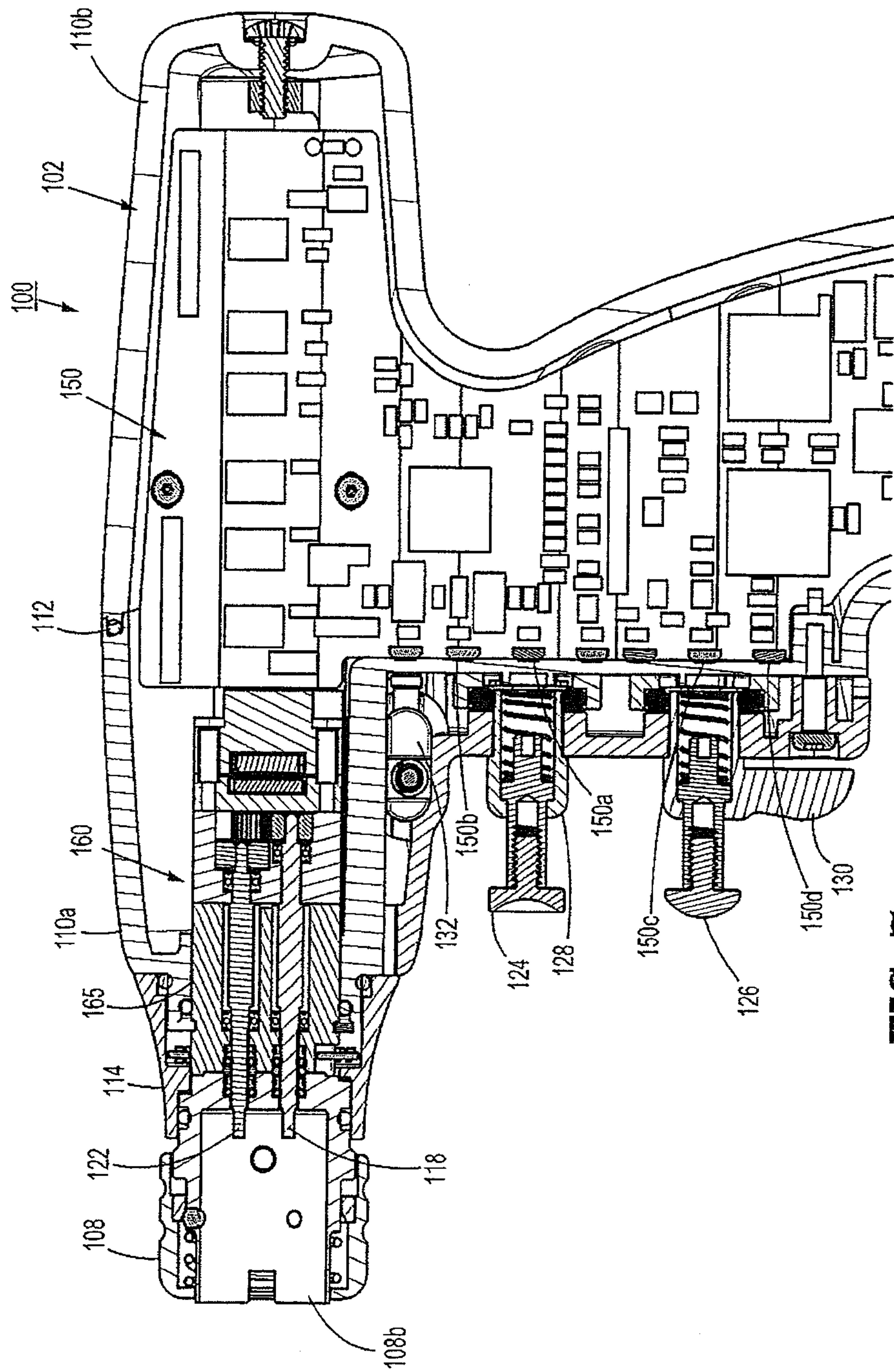


FIG. 7

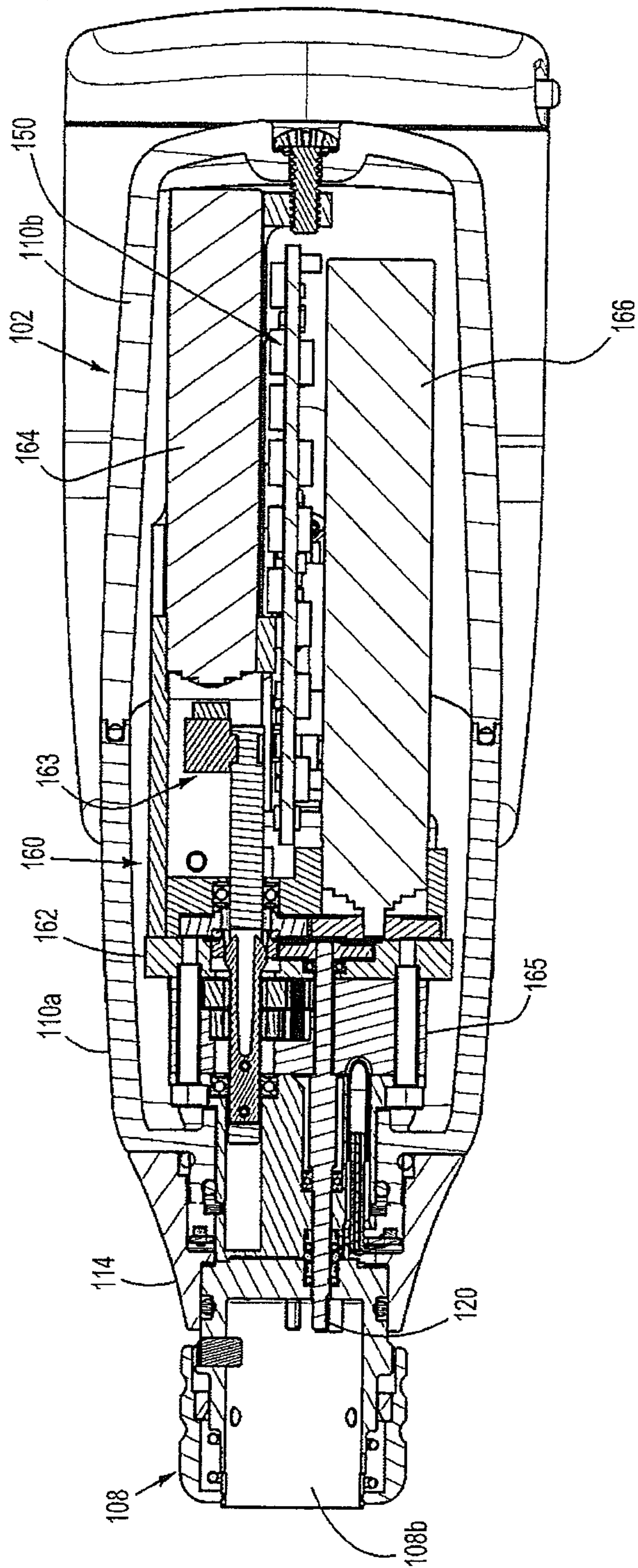


FIG. 8

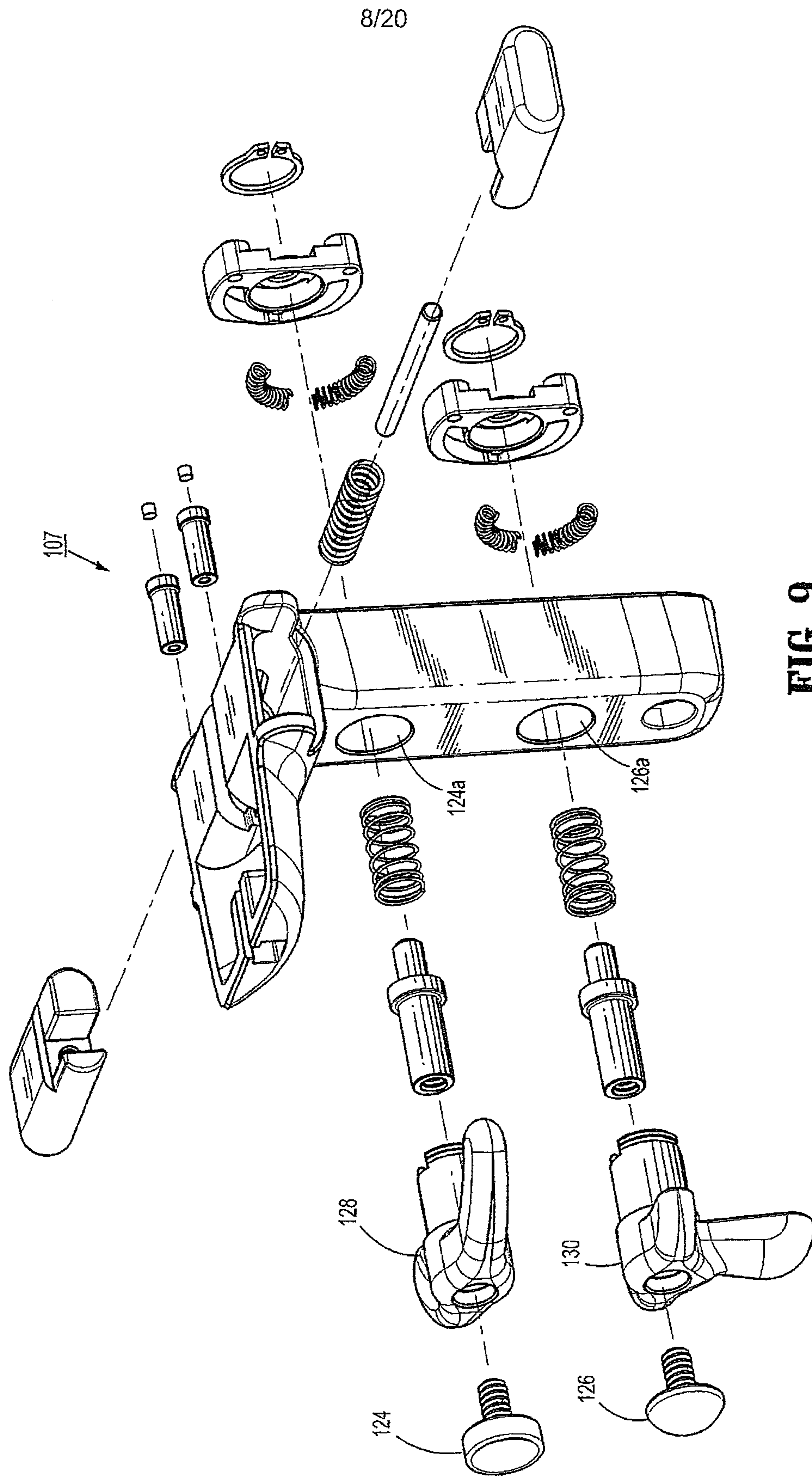


FIG. 9

9/20

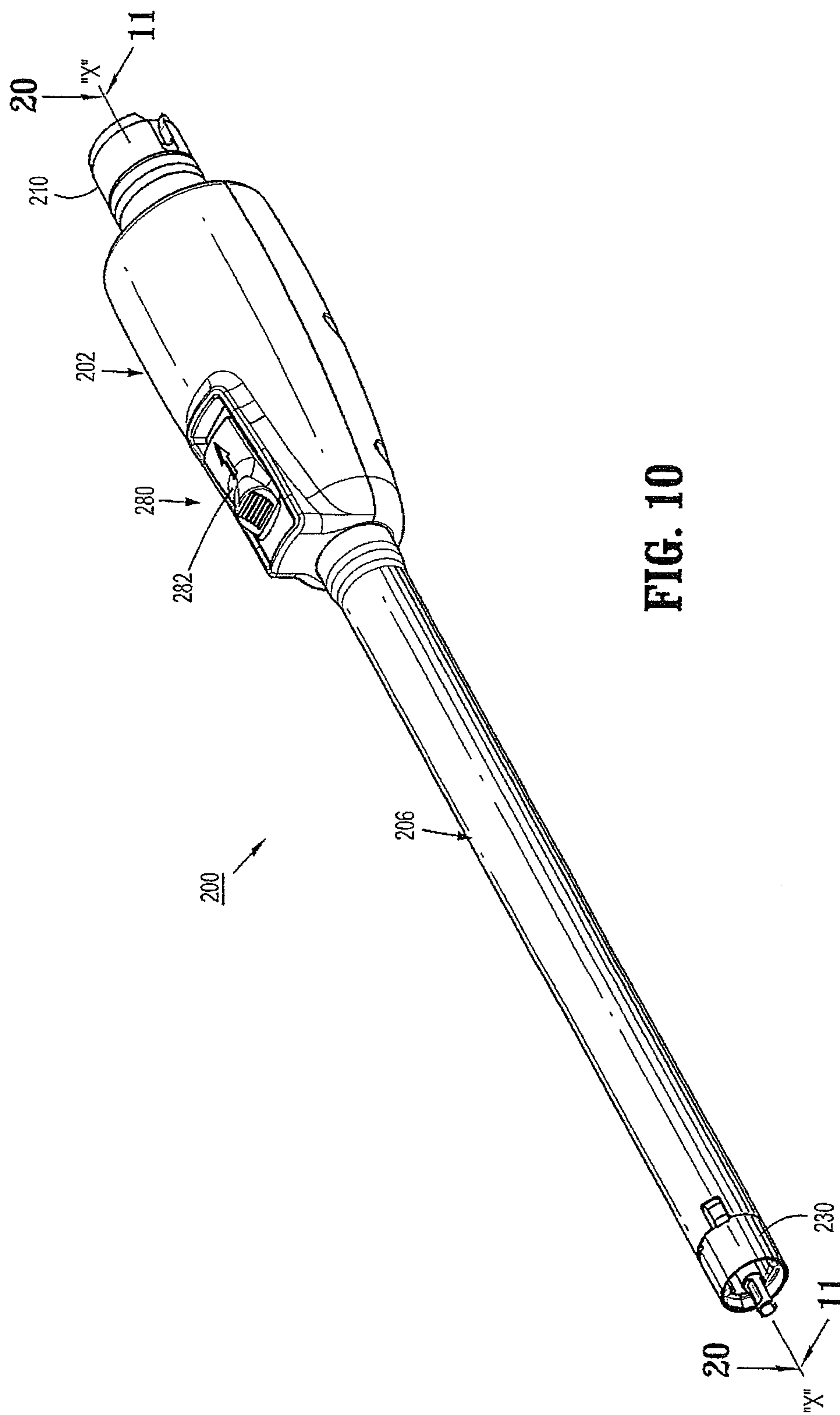


FIG. 10

10/20

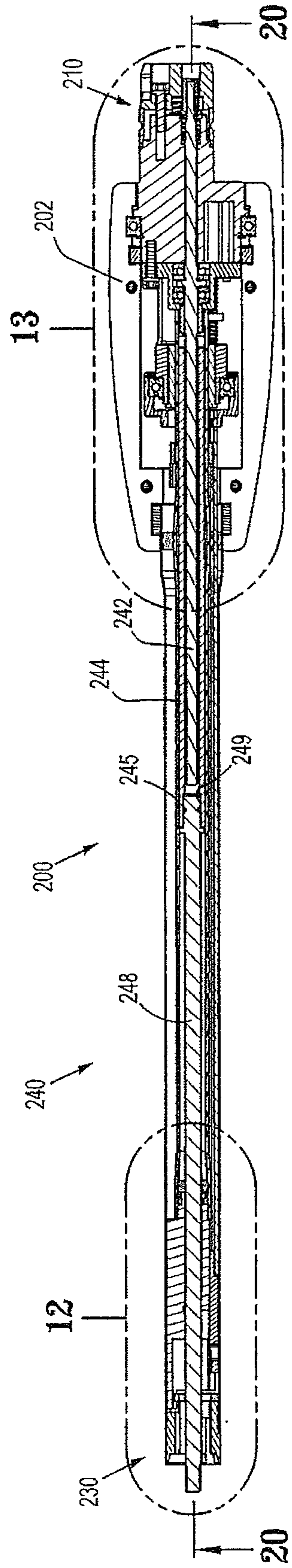


FIG. 11

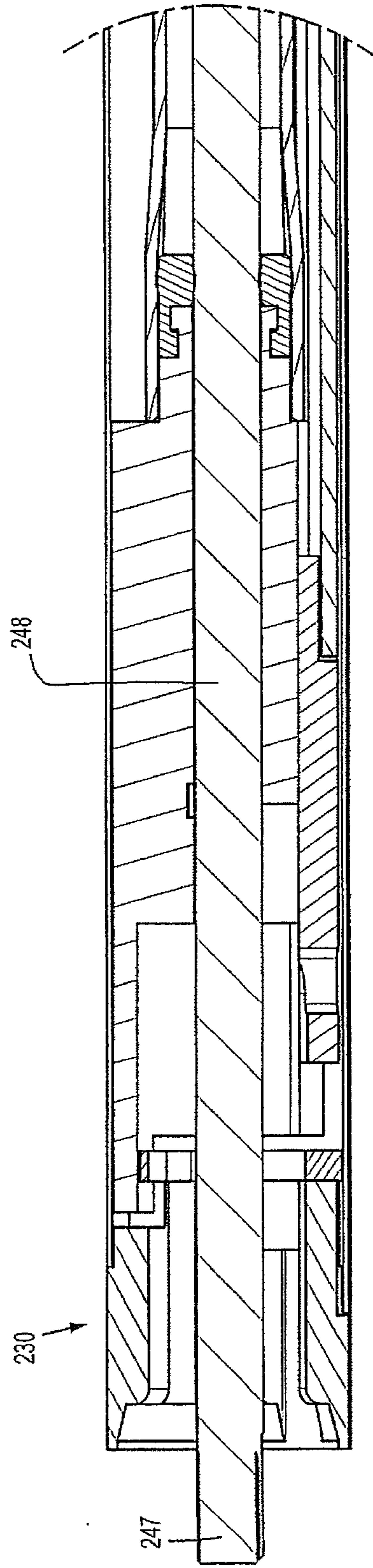


FIG. 12

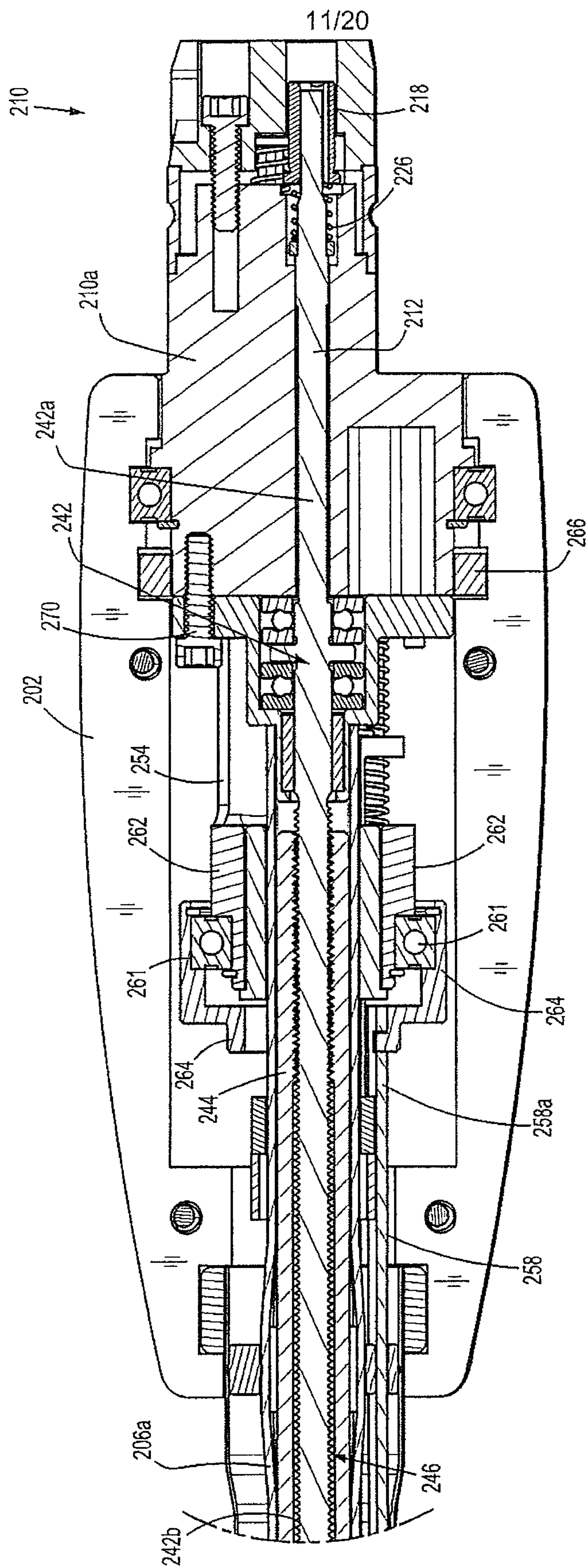


FIG. 13

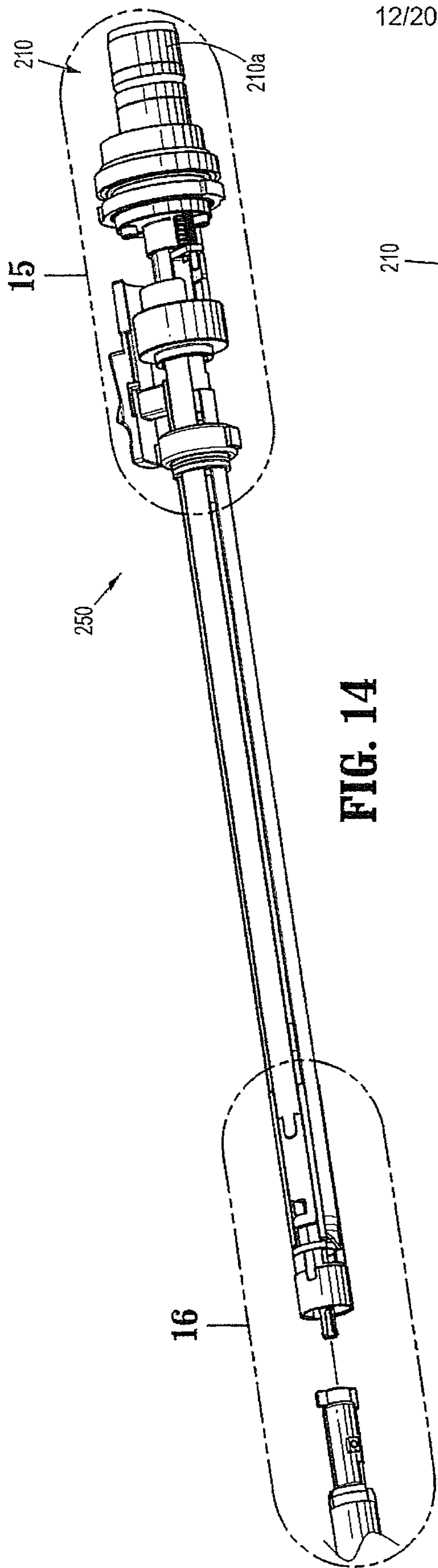


FIG. 14

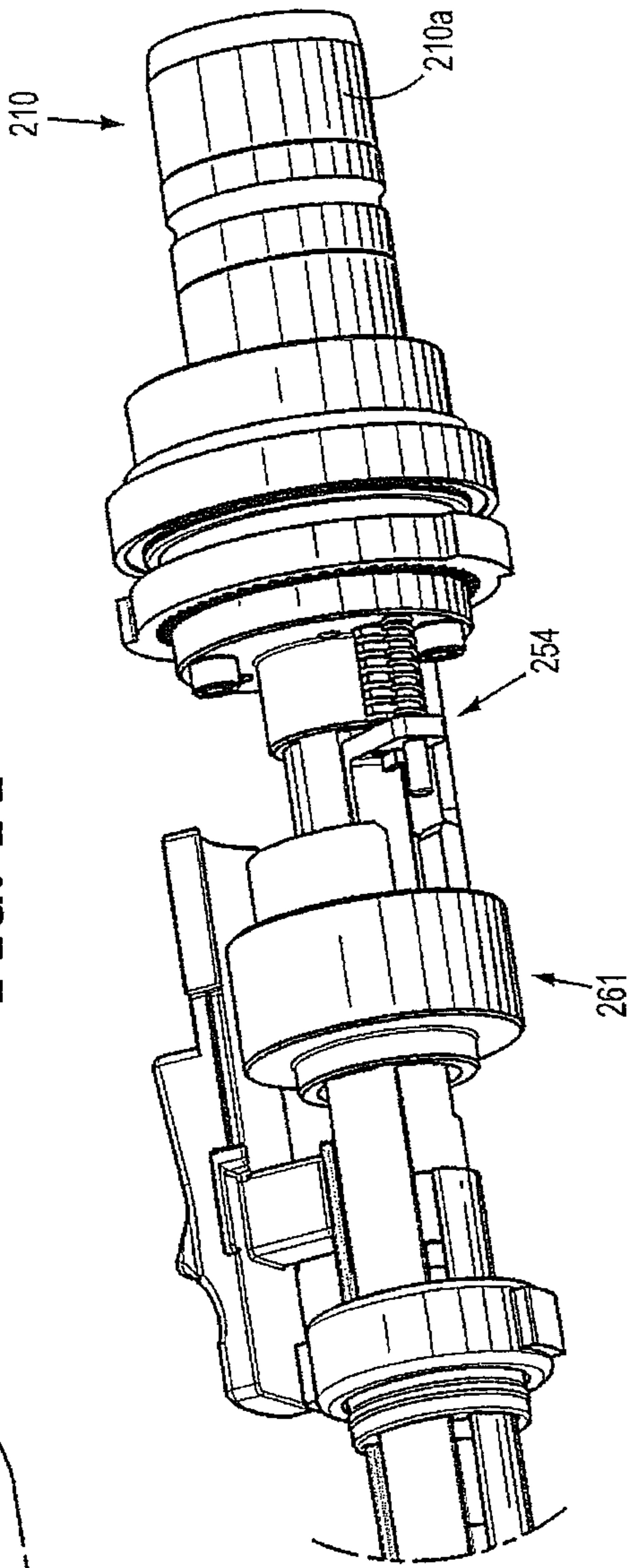


FIG. 15

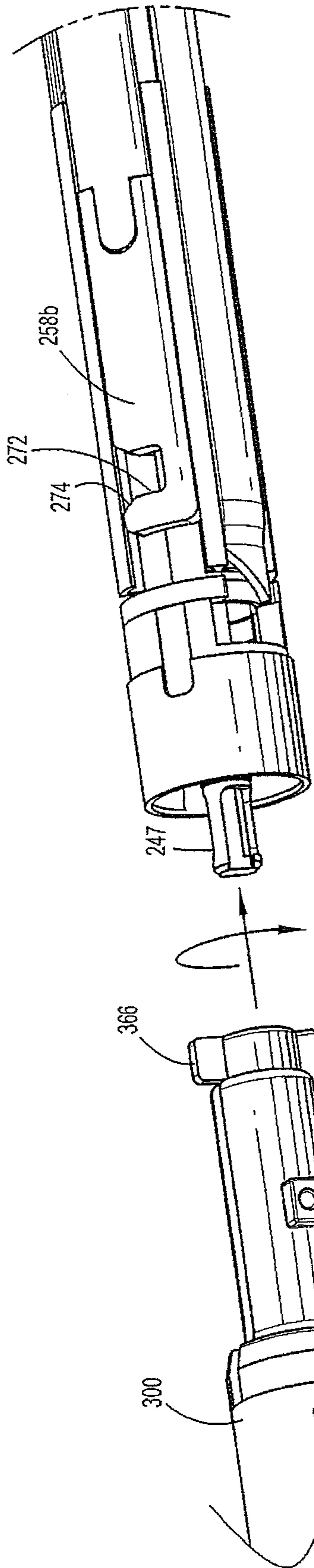


FIG. 16

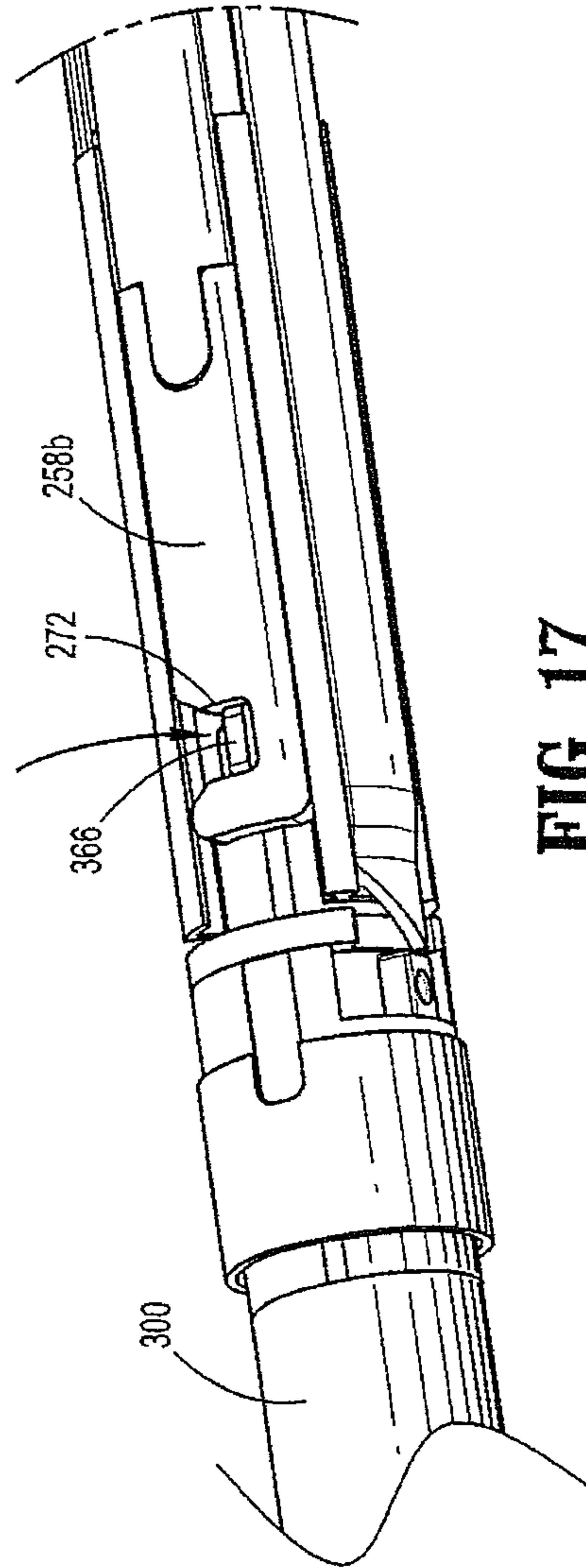


FIG. 17

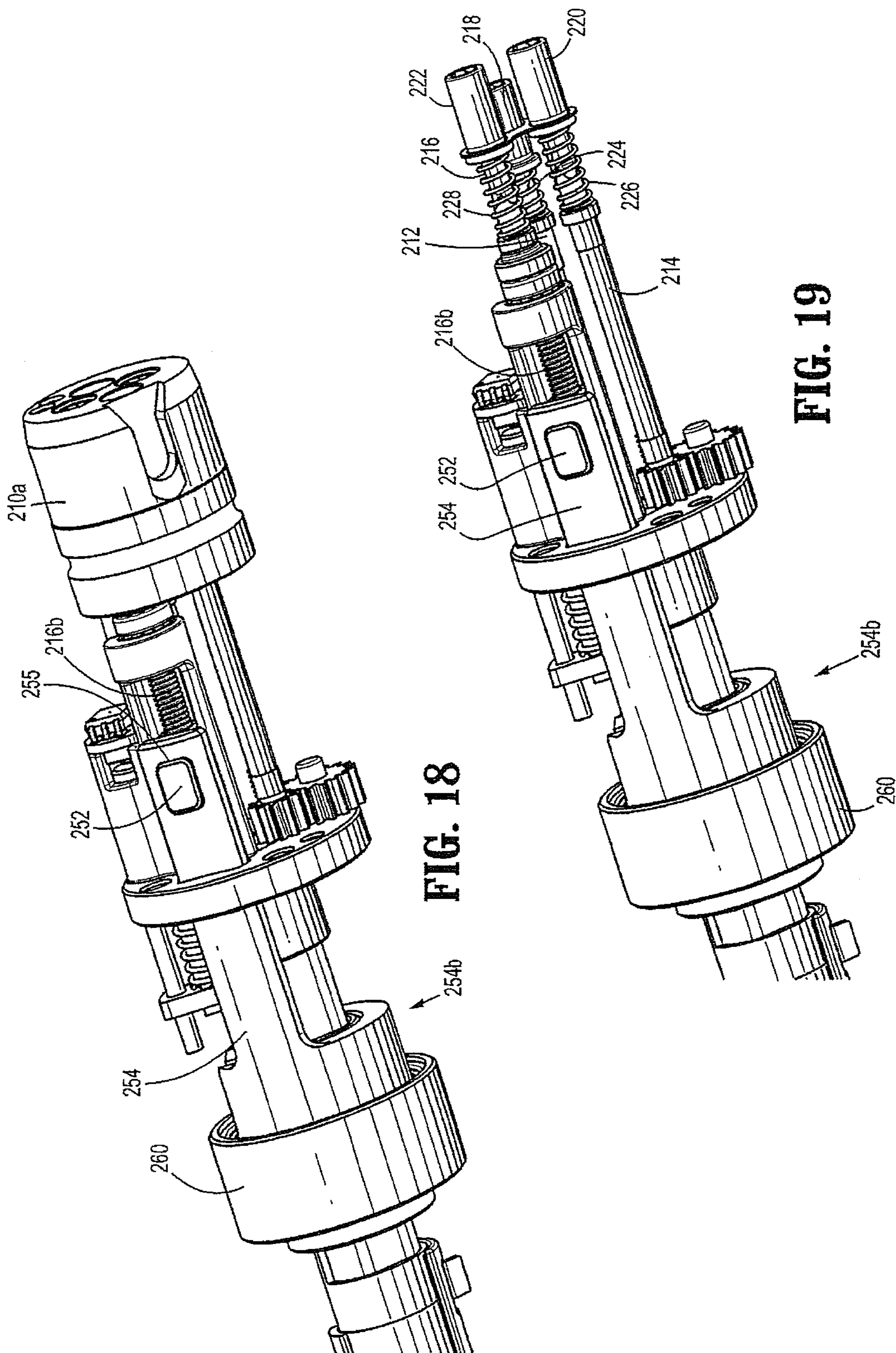


FIG. 18

FIG. 19

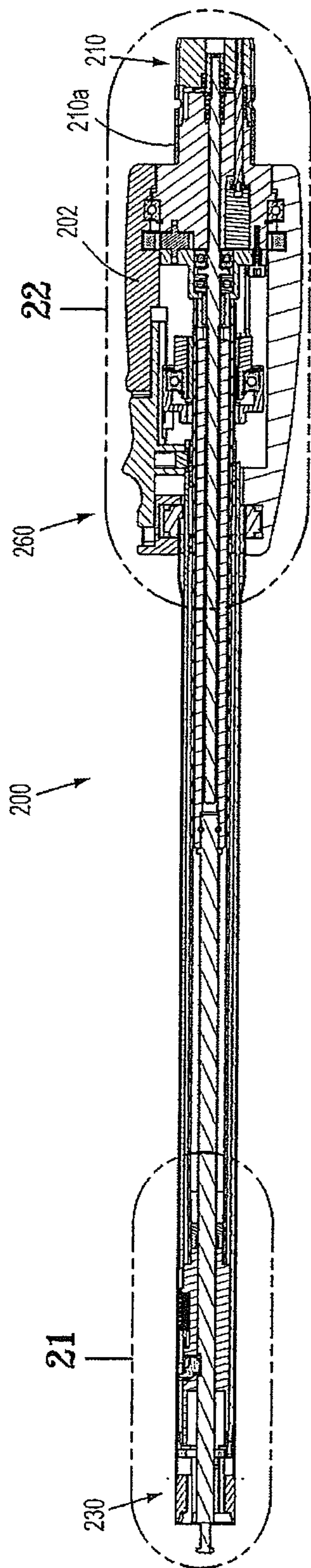


FIG. 20

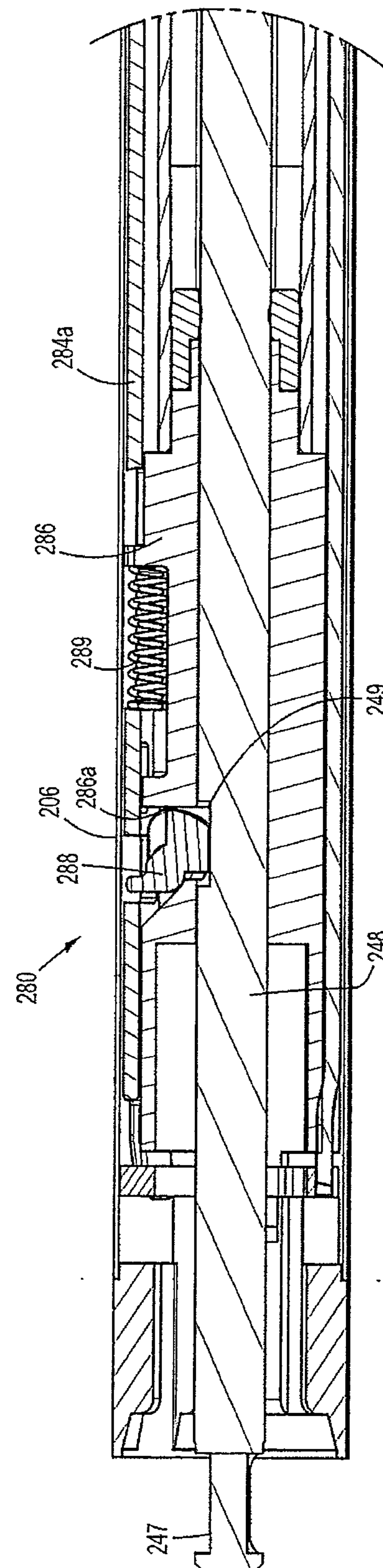


FIG. 21

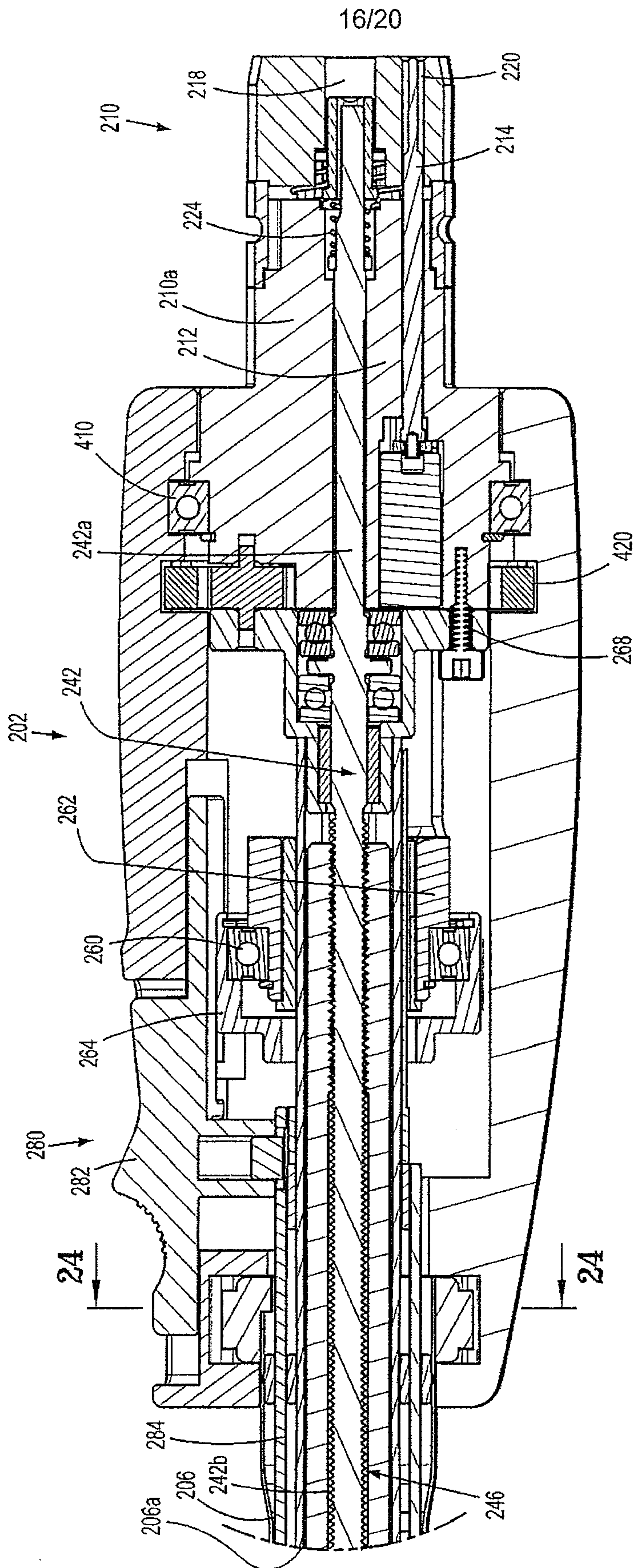


FIG. 22

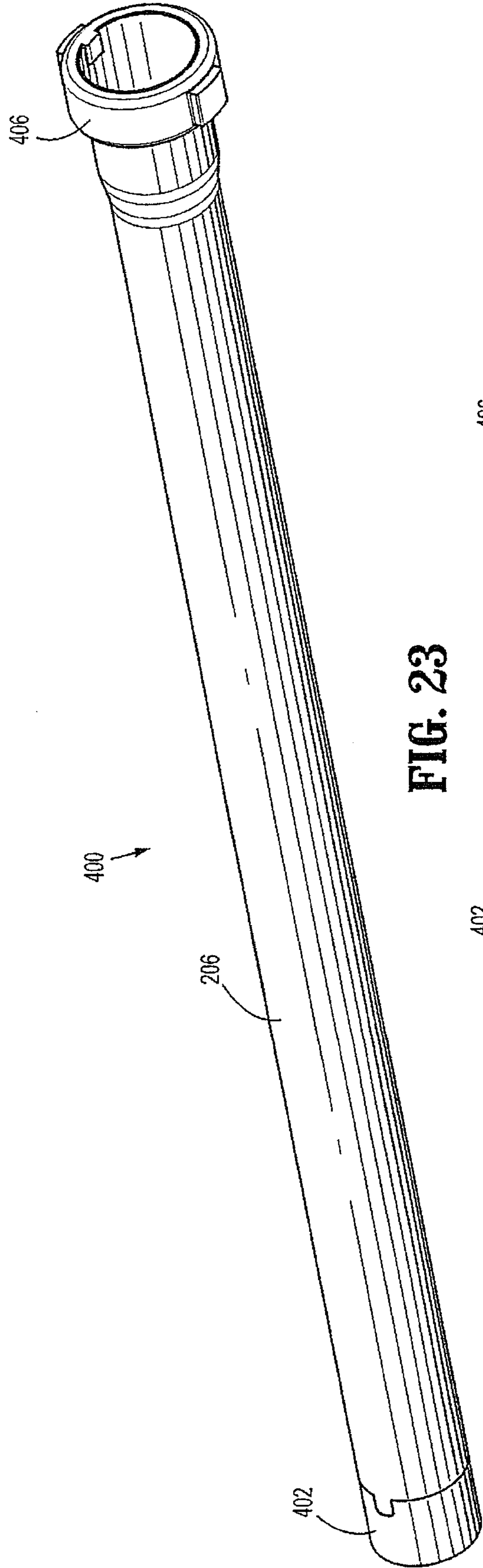


FIG. 23

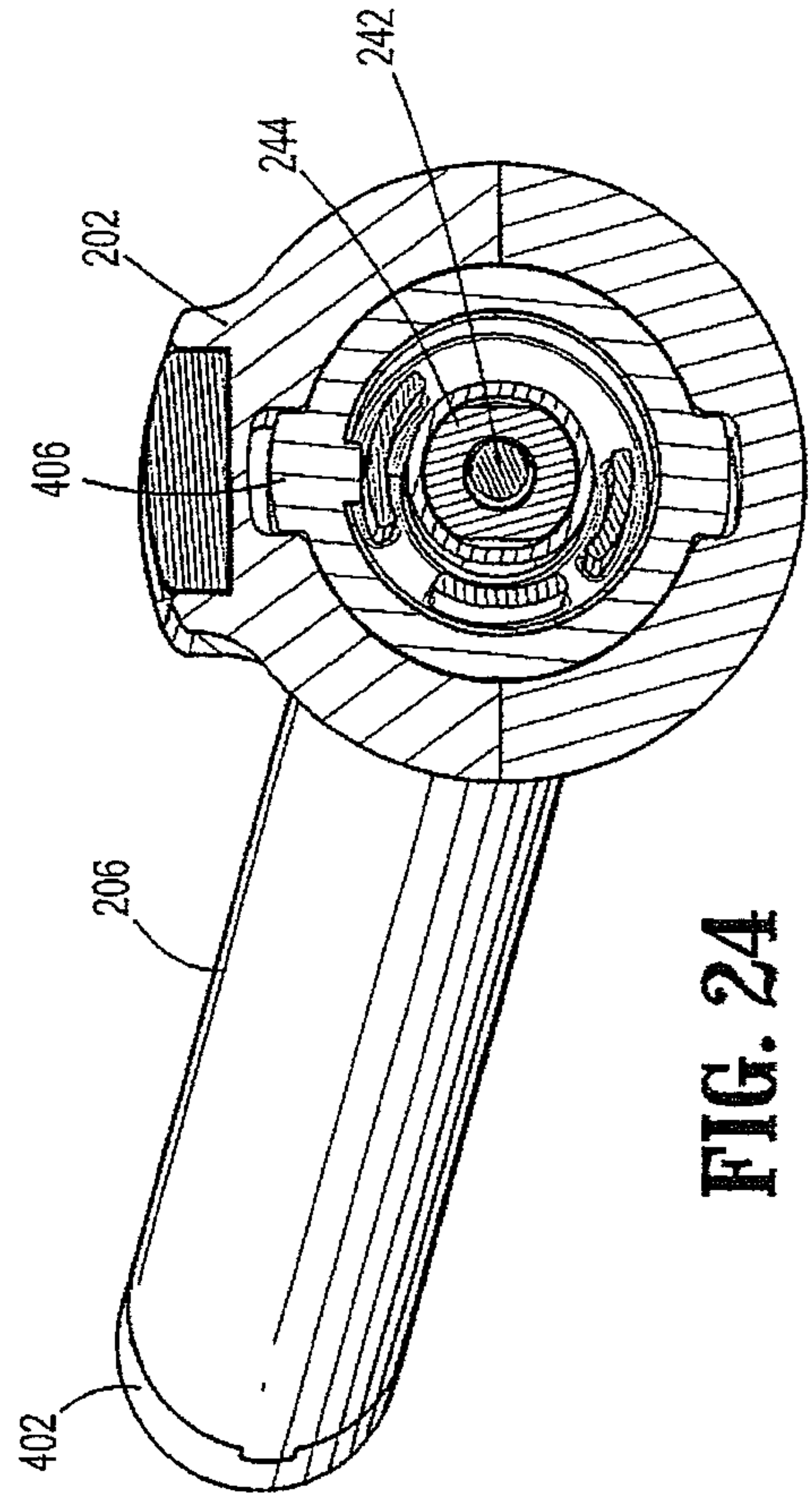


FIG. 24

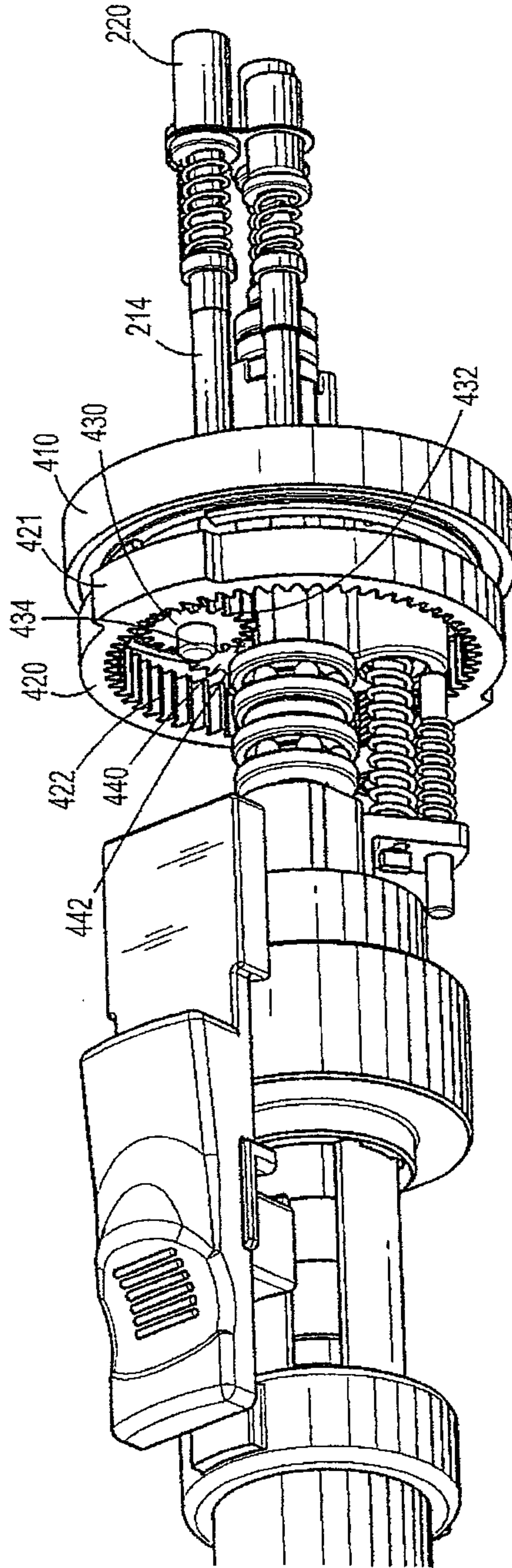


FIG. 25

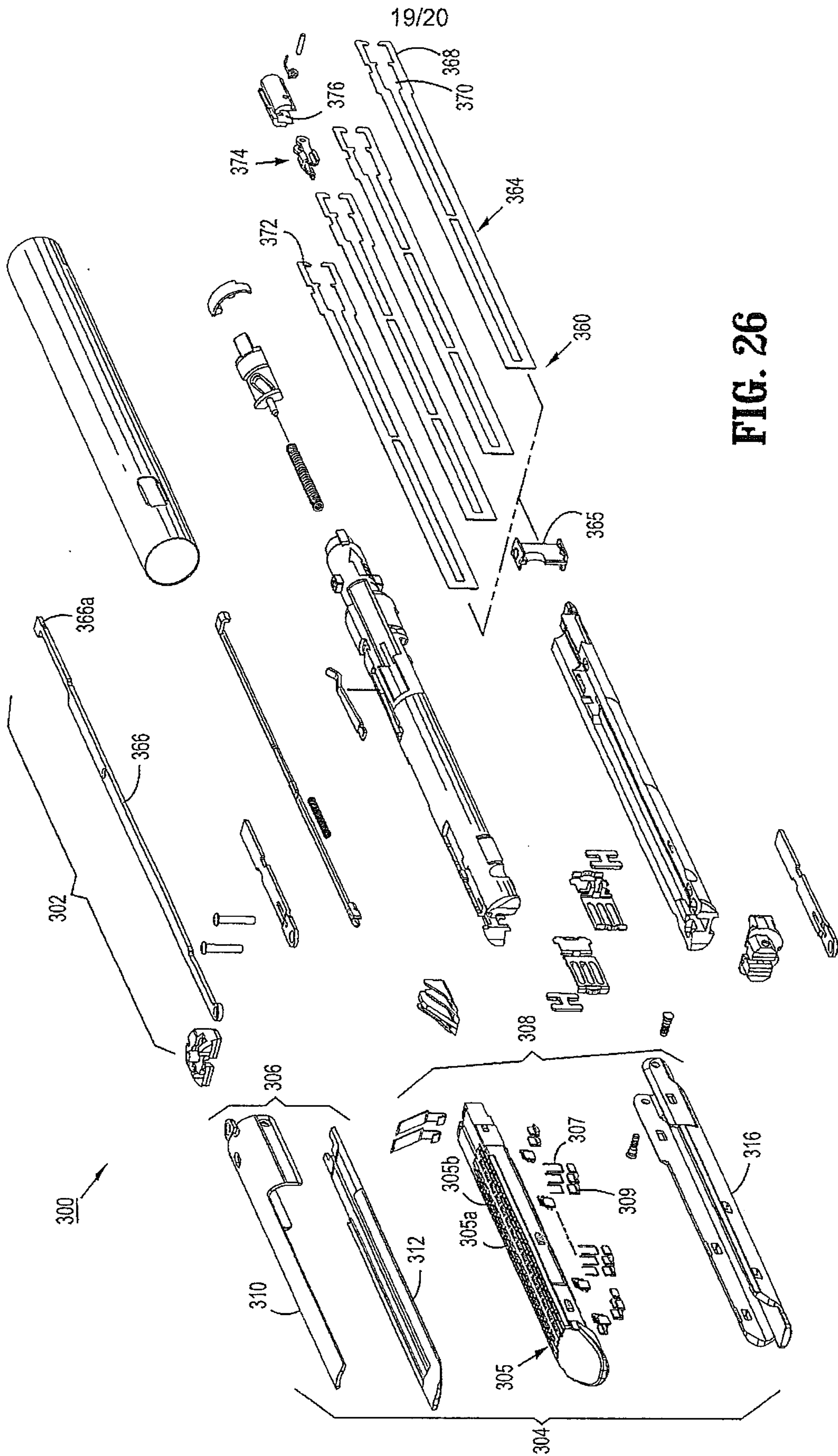


FIG. 26

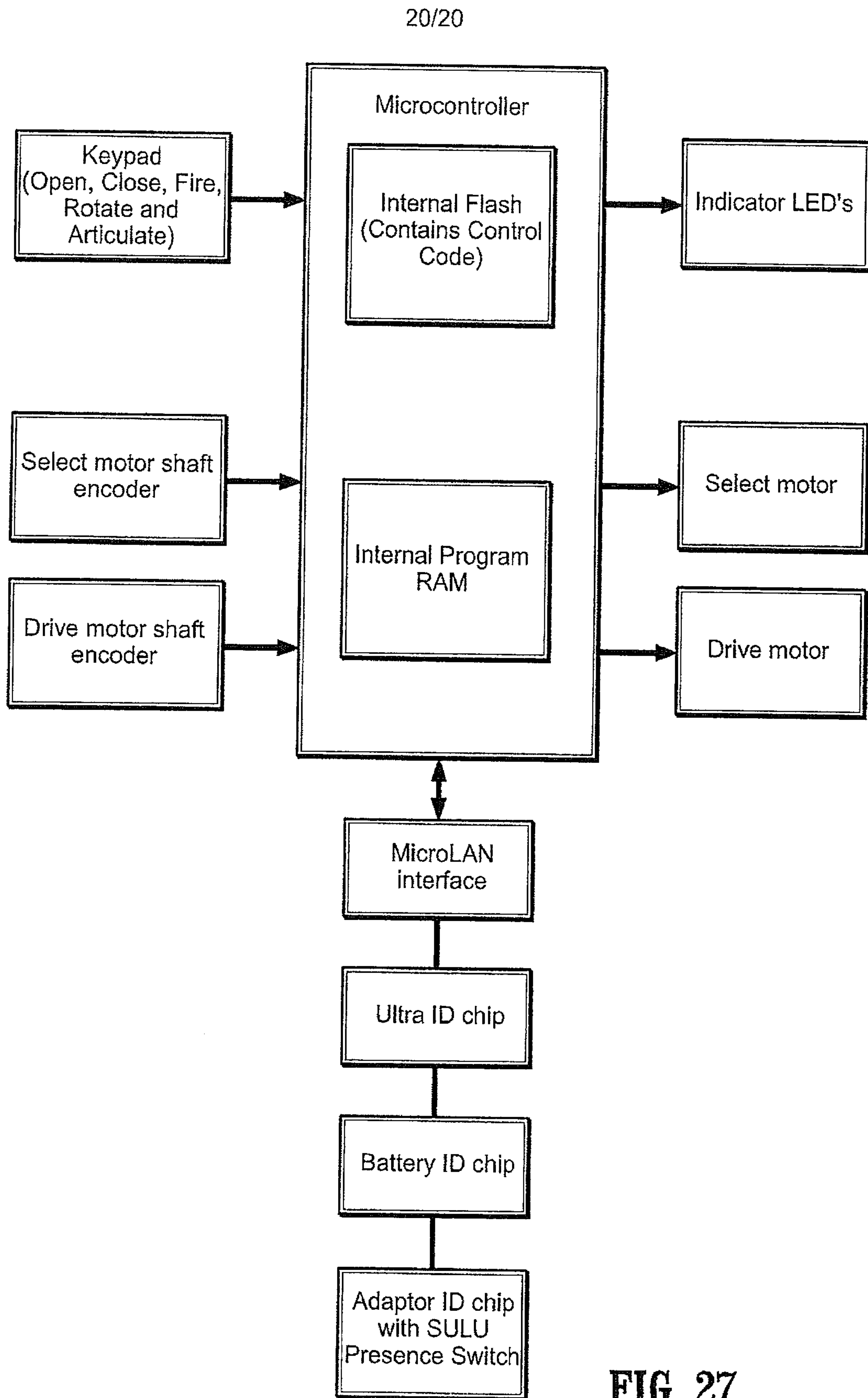


FIG. 27

