



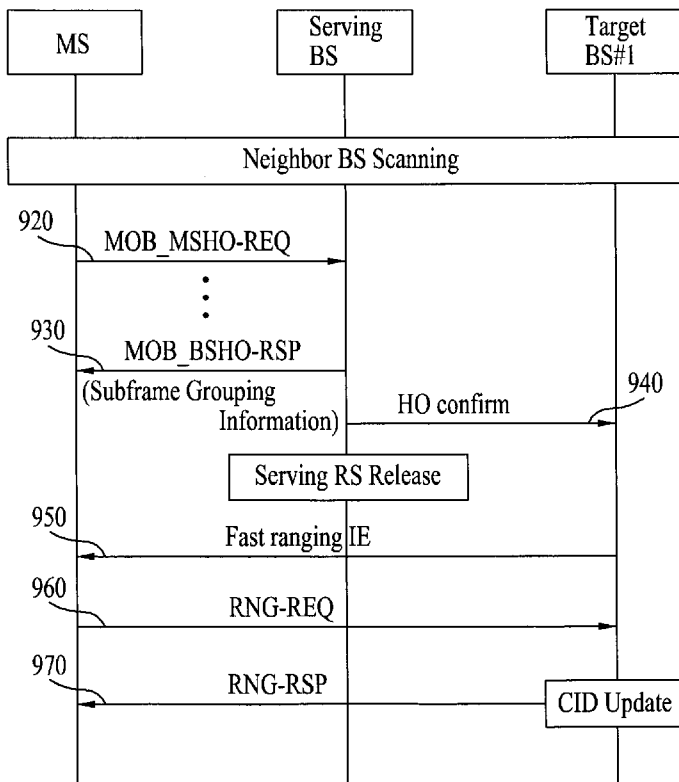
- (51) International Patent Classification:  
H04W 36/24 (2009.01) H04L 27/26 (2006.01)  
H04W 36/08 (2009.01) H04B 7/26 (2006.01)
- (21) International Application Number:  
PCT/KR2009/001159
- (22) International Filing Date:  
9 March 2009 (09.03.2009)
- (25) Filing Language: English
- (26) Publication Language: English
- (30) Priority Data:  
61/035,051 10 March 2008 (10.03.2008) US  
10-2008-0031205 3 April 2008 (03.04.2008) KR
- (71) Applicant (for all designated States except US): **LG ELECTRONICS INC.** [KR/KR]; 20, Yeouido-dong, Yeongdeungpo-gu, Seoul 150-721 (KR).

- (72) Inventors; and
- (75) Inventors/Applicants (for US only): **YOUN, Ae Ran** [KR/KR]; LG Institute, Hogue 1(il)-dong, Dongan-gu, Anyang-si, Gyeonggi-do 431-080 (KR). **KIM, Jeong Ki** [KR/KR]; LG Institute, Hogue 1(il)-dong, Dongan-gu, Anyang-si, Gyeonggi-do 431-080 (KR). **RYU, Ki Seon** [KR/KR]; LG Institute, Hogue 1(il)-dong, Dongan-gu, Anyang-si, Gyeonggi-do 431-080 (KR). **YUK, Young Soo** [KR/KR]; LG Institute, Hogue 1(il)-dong, Dongan-gu, Anyang-si, Gyeonggi-do 431-080 (KR).
- (74) Agents: **KIM, Yong In** et al.; KBK & Associates, 7th Floor, Hyundai Building, 175-9, Jamsil-dong, Songpa-ku, Seoul 138-861 (KR).
- (81) Designated States (unless otherwise indicated, for every kind of national protection available): AE, AG, AL, AM, AO, AT, AU, AZ, BA, BB, BG, BH, BR, BW, BY, BZ, CA, CH, CN, CO, CR, CU, CZ, DE, DK, DM, DO, DZ, EC, EE, EG, ES, FI, GB, GD, GE, GH, GM, GT, HN, HR, HU, ID, IL, IN, IS, JP, KE, KG, KM, KN, KP, KZ, LA, LC, LK, LR, LS, LT, LU, LY, MA, MD, ME, MG,

[Continued on next page]

(54) Title: METHOD FOR TRANSMITTING SUBFRAME GROUPING INFORMATION AND DECODING SUBFRAME GROUPED FRAMES

**FIG. 9**



(57) Abstract: A method for transmitting subframe grouping information and a method for decoding subframe-grouped frames are provided. The subframe grouping information transmission method updates a grouping information field of a MAC message, which a serving base station periodically broadcasts to an MS, using subframe grouping information determined by a target base station, and periodically transmits the MAC message to the MS. This method enables provision of a downlink signaling method for supporting variable TTIs of a base station when handover is performed, thereby minimizing service delay of each mobile station and enabling efficient utilization of resources.

WO 2009/113783 A3



MK, MN, MW, MX, MY, MZ, NA, NG, NI, NO, NZ, OM, PG, PH, PL, PT, RO, RS, RU, SC, SD, SE, SG, SK, SL, SM, ST, SV, SY, TJ, TM, TN, TR, TT, TZ, UA, UG, US, UZ, VC, VN, ZA, ZM, ZW.

OAPI (BF, BJ, CF, CG, CI, CM, GA, GN, GQ, GW, ML, MR, NE, SN, TD, TG).

**Published:**

- with international search report (*Art. 21(3)*)
- before the expiration of the time limit for amending the claims and to be republished in the event of receipt of amendments (*Rule 48.2(h)*)

**(84) Designated States** (*unless otherwise indicated, for every kind of regional protection available*): ARIPO (BW, GH, GM, KE, LS, MW, MZ, NA, SD, SL, SZ, TZ, UG, ZM, ZW), Eurasian (AM, AZ, BY, KG, KZ, MD, RU, TJ, TM), European (AT, BE, BG, CH, CY, CZ, DE, DK, EE, ES, FI, FR, GB, GR, HR, HU, IE, IS, IT, LT, LU, LV, MC, MK, MT, NL, NO, PL, PT, RO, SE, SI, SK, TR),

**(88) Date of publication of the international search report:**

10 December 2009

## INTERNATIONAL SEARCH REPORT

International application No.  
**PCT/KR2009/001159****A. CLASSIFICATION OF SUBJECT MATTER***H04W 36/24(2009.01)i, H04W 36/08(2009.01)i, H04L 27/26(2006.01)i, H04B 7/26(2006.01)i*

According to International Patent Classification (IPC) or to both national classification and IPC

**B. FIELDS SEARCHED**

Minimum documentation searched (classification system followed by classification symbols)

IPC 8 H04L, H04Q

Documentation searched other than minimum documentation to the extent that such documents are included in the fields searched

Korean Utility models and applications for Utility Models since 1975  
Japanese Utility Models and applications for Utility Models since 1975

Electronic data base consulted during the international search (name of data base and, where practicable, search terms used)

KOMPASS(KIPO internal) "frame, group, information, handover"

**C. DOCUMENTS CONSIDERED TO BE RELEVANT**

Category*	Citation of document, with indication, where appropriate, of the relevant passages	Relevant to claim No.
A	WO 2005-004500 A2 (NOKIA CORPORATION) 13 January 2005 See abstract; page 14, line 27 - page 16, line 9; page 17, lines 4-19; claims 1-8.	1-15
A	JP 2007-181126 A (NTT DOCOMO INC.) 12 July 2007 See paragraphs <8>, <30> - <34>; claim 1.	1-15
A	WO 2005-119989 A1 (QUALCOMM INCORPORATED) 15 December 2005 See abstract; claim 1.	1-15
A	US 2006-0262744 A1 (XU, Y. et al.) 23 November 2006 See abstract; paragraphs [0136]-[0137]; claim 1.	1-15

 Further documents are listed in the continuation of Box C. See patent family annex.

\* Special categories of cited documents:

"A" document defining the general state of the art which is not considered to be of particular relevance

"E" earlier application or patent but published on or after the international filing date

"L" document which may throw doubts on priority claim(s) or which is cited to establish the publication date of citation or other special reason (as specified)

"O" document referring to an oral disclosure, use, exhibition or other means

"P" document published prior to the international filing date but later than the priority date claimed

"T" later document published after the international filing date or priority date and not in conflict with the application but cited to understand the principle or theory underlying the invention

"X" document of particular relevance; the claimed invention cannot be considered novel or cannot be considered to involve an inventive step when the document is taken alone

"Y" document of particular relevance; the claimed invention cannot be considered to involve an inventive step when the document is combined with one or more other such documents, such combination being obvious to a person skilled in the art

"&amp;" document member of the same patent family

Date of the actual completion of the international search

23 OCTOBER 2009 (23.10.2009)

Date of mailing of the international search report

**26 OCTOBER 2009 (26.10.2009)**

Name and mailing address of the ISA/KR

Korean Intellectual Property Office  
Government Complex-Daejeon, 139 Seonsa-ro, Seo-  
gu, Daejeon 302-701, Republic of Korea

Facsimile No. 82-42-472-7140

Authorized officer

JANG Ho Keun

Telephone No. 82-42-481-8187



## INTERNATIONAL SEARCH REPORT

Information on patent family members

International application No.

**PCT/KR2009/001159**

Patent document cited in search report	Publication date	Patent family member(s)	Publication date		
WO 2005-004500 A2	13.01.2005	CA 2530771 A1	13.01.2005		
		CN 1830171 A	06.09.2006		
		CN 1830171 A0	06.09.2006		
		EP 1645066 A2	12.04.2006		
		JP 04-195716 B2	03.10.2008		
		JP 2007-525092 T	30.08.2007		
		JP 2007-525092 A	30.08.2007		
		KR 10-2006-0027818 A	28.03.2006		
		KR 10-0773131 B1	02.11.2007		
		RU 2313912 C2	27.12.2007		
		RU 2006102367 A	10.06.2006		
		WO 2005-004500 A3	29.12.2005		
		JP 2007-181126 A	12.07.2007	CN 101375623 A	25.02.2009
				EP 1971170 A1	17.09.2008
KR 10-2008-0089457 A	06.10.2008				
US 2009-0180432 A1	16.07.2009				
WO 2007-077777 A1	12.07.2007				
WO 2005-119989 A1	15.12.2005	AR 049508 A1	09.08.2006		
		AU 2005-251212 A1	31.05.2005		
		AU 2005-251212 B2	31.05.2005		
		PI 0511699 A	08.01.2008		
		CA 2569365 A1	15.12.2005		
		CA 2569312 A1	15.12.2005		
		CN 101040492 A	19.09.2007		
		CN 1985541 A	20.06.2007		
		CN 101040492 A0	19.09.2007		
		EP 1751933 A1	14.02.2007		
		EP 1757156 A2	28.02.2007		
		JP 2008-502213 A	24.01.2008		
		JP 2008-502213 T	24.01.2008		
		JP 2008-502217 A	24.01.2008		
		KR 10-2007-0028513 A	12.03.2007		
		KR 10-0896163 B1	11.05.2009		
		KR 10-2009-0026368 A	12.03.2009		
		US 2005-0266847 A1	01.12.2005		
		WO 2005-119990 A2	15.12.2005		
		WO 2005-119990 A3	15.12.2005		
US 2006-0262744 A1	23.11.2006	CN 1893328 A	10.01.2007		
		EP 1717974 A2	02.11.2006		
		JP 2006-345493 A	21.12.2006		
		KR 10-2006-0112159 A	31.10.2006		
		KR 10-0689440 B1	08.03.2007		