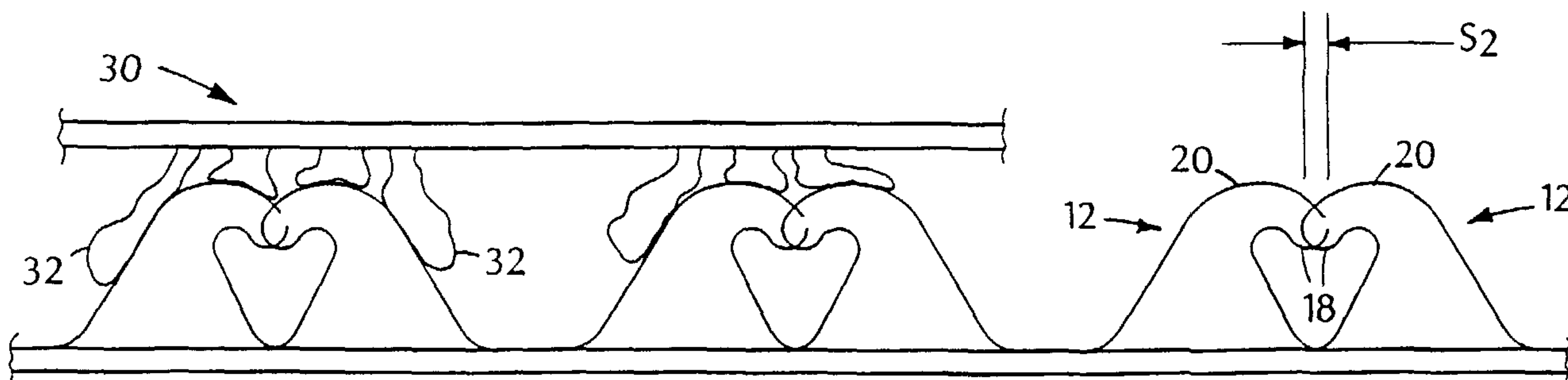




(86) Date de dépôt PCT/PCT Filing Date: 2001/06/01  
 (87) Date publication PCT/PCT Publication Date: 2001/12/13  
 (85) Entrée phase nationale/National Entry: 2002/12/02  
 (86) N° demande PCT/PCT Application No.: US 2001/017821  
 (87) N° publication PCT/PCT Publication No.: 2001/093715  
 (30) Priorité/Priority: 2000/06/02 (09/585,942) US

(51) Cl.Int.<sup>7</sup>/Int.Cl.<sup>7</sup> A44B 18/00, A61F 13/62  
 (71) Demandeur/Applicant:  
VELCRO INDUSTRIES B.V., AN  
 (72) Inventeurs/Inventors:  
FILION, SCOTT M., US;  
SCHMIDT, RICHARD J., US  
 (74) Agent: SMART & BIGGAR

(54) Titre : AGENCEMENT PERMETTANT FAIRE VARIER L'APTITUDE D'ENSEMBLES D'ELEMENTS D'ATTACHE A S'ENGAGER DANS DES BOUCLES  
 (54) Title: VARYING THE LOOP ENGAGEABILITY OF FASTENER ELEMENT ARRAYS



(57) **Abrégé/Abstract:**

An easy-to-grip diaper fastener tab has an array of hook-shaped fastener elements arranged in parallel rows, each fastener element including a stem and a crook extending from the stem in a predetermined direction to a distal tip. The array includes a plurality of rows of fastener elements arranged such that, in each row, all of the crooks (20) face in the same direction and parallel to the direction of the row, with the crooks (20) of adjacent rows facing in opposite directions. The longitudinal spacing between opposing tips of adjacent hooks (12) of adjacent rows is greater in a first portion of the array than the longitudinal spacing between opposing tips of adjacent hooks (12) of adjacent rows in a second portion of the array, such that the crooks (20) of the hooks (12) of the first portion are more exposed for engaging loops than the crooks (20) of the hooks (12) of the second portion. Methods and molds for forming such arrays are also provided.

## (12) INTERNATIONAL APPLICATION PUBLISHED UNDER THE PATENT COOPERATION TREATY (PCT)

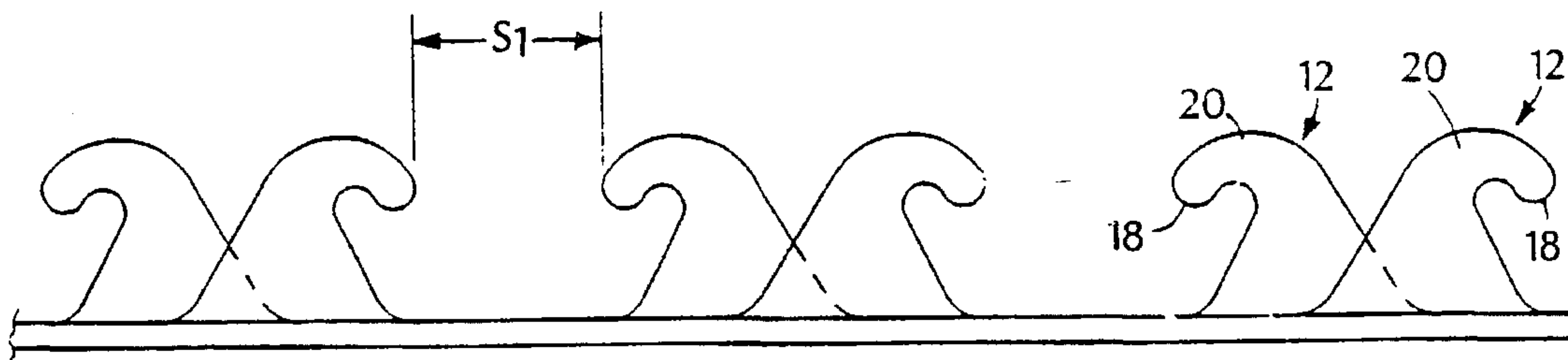
(19) World Intellectual Property Organization  
International Bureau(43) International Publication Date  
13 December 2001 (13.12.2001)

PCT

(10) International Publication Number  
**WO 01/93715 A3**

- (51) International Patent Classification<sup>7</sup>: A44B 18/00, A61F 13/62
- (74) Agents: WILLIAMS, John, N. et al.; Fish & Richardson P.C., 225 Franklin Street, Boston, MA 02110-2804 (US).
- (21) International Application Number: PCT/US01/17821
- (81) Designated States (*national*): AE, AG, AL, AM, AT, AU, AZ, BA, BB, BG, BR, BY, BZ, CA, CH, CN, CO, CR, CU, CZ, DE, DK, DM, DZ, EC, EE, ES, FI, GB, GD, GE, GH, GM, HR, HU, ID, IL, IN, IS, J<sup>\*</sup>, KE, KG, KP, KR, KZ, LC, LK, LR, LS, LT, LU, LV, MA, MD, MG, MK, MN, MW, MX, MZ, NO, NZ, PL, PT, RO, RU, SD, SE, SG, SI, SK, SL, TJ, TM, TR, TT, TZ, UA, UG, US, UZ, VN, YU, ZA, ZW.
- (22) International Filing Date: 1 June 2001 (01.06.2001)
- (25) Filing Language: English
- (26) Publication Language: English
- (30) Priority Data: 09/585,942 2 June 2000 (02.06.2000) US
- (84) Designated States (*regional*): ARIPO patent (GH, GM, KE, LS, MW, MZ, SD, SL, SZ, TZ, UG, ZW), Eurasian patent (AM, AZ, BY, KG, KZ, MD, RU, TJ, TM), European patent (AT, BE, CH, CY, DE, DK, ES, FI, FR, GB, GR, IE, IT, LU, MC, NL, PT, SE, TR), OAPI patent (BF, BJ, CF, CG, CI, CM, GA, GN, GW, ML, MR, NE, SN, TD, TG).
- (63) Related by continuation (CON) or continuation-in-part (CIP) to earlier application:  
US 09/585,942 (CON)  
Filed on 2 June 2000 (02.06.2000)
- (71) Applicant (*for all designated States except US*): VELCRO INDUSTRIES B.V. [NL/NL]; 22-24 Castorweg, Curacao (AN).
- Published:  
— with international search report
- (72) Inventors; and
- (75) Inventors/Applicants (*for US only*): FILION, Scott, M. [US/US]; 17 Hamel Farm Drive, Newmarket, NH 03857 (US). SCHMIDT, Richard, J. [US/US]; 285 Spring Ridge Terrace, Roswell, GA 30076-4521 (US).
- (88) Date of publication of the international search report:  
23 May 2002
- For two-letter codes and other abbreviations, refer to the "Guidance Notes on Codes and Abbreviations" appearing at the beginning of each regular issue of the PCT Gazette.*

(54) Title: VARYING THE LOOP ENGAGEABILITY OF FASTENER ELEMENT ARRAYS



(57) Abstract: An easy-to-grip diaper fastener tab has an array of hook-shaped fastener elements arranged in parallel rows, each fastener element including a stem and a crook extending from the stem in a predetermined direction to a distal tip. The array includes a plurality of rows of fastener elements arranged such that, in each row, all of the crooks (20) face in the same direction and parallel to the direction of the row, with the crooks (20) of adjacent rows facing in opposite directions. The longitudinal spacing between opposing tips of adjacent hooks (12) of adjacent rows is greater in a first portion of the array than the longitudinal spacing between opposing tips of adjacent hooks (12) of adjacent rows in a second portion of the array, such that the crooks (20) of the hooks (12) of the first portion are more exposed for engaging loops than the crooks (20) of the hooks (12) of the second portion. Methods and molds for forming such arrays are also provided.

WO 01/93715 A3

VARYING THE LOOP ENGAGEABILITY OF FASTENER ELEMENT ARRAYS

5

Background of the Invention

The invention relates to varying the loop engageability of arrays of molded fastener elements, and to the formation of fastener products with exposed grip flanges.

Hook components for hook and loop fastening include a base from which tiny  
10 fastener elements (e.g., hook-shaped or mushroom-shaped elements) extend in an array. Hook components with hook-shaped elements may be formed by integrally molding the base and fastener elements in a continuous process employing a mold roll that includes a set of stacked disk-shaped mold plates having fastener-shaped cavities defined at their peripheries, e.g., as described in U.S. Patent 4,794,028 (Fischer), the full disclosure of  
15 which is incorporated herein by reference. Hook components may also be injection molded as discrete parts. In the Fischer process, it is generally preferable that the entire molding region of the mold roll include an even distribution of mold cavities, to promote uniform resin flow and molding pressures over the mold roll surface and also to avoid uneven demolding stresses that could distort the fastener. To produce fastener products  
20 of the same resin but with different loop engagement characteristics, manufacturers either vary the hook density by changing the spacing between adjacent rows of hooks, or replace the mold plates with others having a different hook cavity shape or in-row spacing.

To form a closure, male fastener elements engage overlying female fastener  
25 elements. When the male element is hook-shaped, the fastener element will individually exhibit directional shear strength, i.e., the shear strength in one direction will be significantly higher than in other directions. In some applications it is desirable that the array of fastener elements exhibit bi-directional shear strength, i.e., shear strength substantially equal in each of two opposite directions. To accomplish this, some fastener  
30 products include arrays of hooks in which a plurality of rows of fastener elements are arranged so that, in each row, all of the crooks face in the same direction and parallel to the direction of the row, and so that the crooks of adjacent rows face in opposite directions, as shown in Fig. 1.

It is often desirable for a hook and loop fastener to have areas in which there is no engagement or a reduced strength engagement of the two sides of the fastener. Such areas may, for example, be associated with a gripping tab to enable the user to more easily separate the two parts of the fastener.

5

#### Summary of the Invention

The present invention features, in several aspects, an array of hook-shaped fastener elements in which the relative spacing between adjacent hooks varies across the array such that some of the fastener elements are rendered less capable of engagement with loop elements than other fastener elements.

In preferred fastener products, the hook elements are arranged so that some of the hook elements interfere with adjacent hook elements to prevent engagement of the hook elements with loop elements. Advantageously, for fastener products that are molded on mold rolls that include a stack of registered mold plates, e.g., as described in U.S. Patent 4,794,028 (a "Fischer process"), this arrangement can be accomplished by simply adjusting the registration of the mold plates, without the need for other process or tooling changes.

In one aspect, the invention features an array of hook-shaped fastener elements arranged in parallel rows, each fastener element including a stem and a crook extending from the stem in a predetermined direction to a distal tip. The array includes a plurality of rows of fastener elements arranged such that, in each row, all of the crooks face in the same direction and parallel to the direction of the row, and such that the crooks of adjacent rows face in opposite directions. The longitudinal spacing between opposing tips of adjacent hooks of adjacent rows is greater, in a first portion of the array, than the longitudinal spacing between opposing tips of adjacent hooks of adjacent rows in a second portion of the array. As a result, the crooks of the hooks of the first portion of the array are more exposed for engaging loops than the crooks of the hooks of the second portion of the array.

In preferred implementations, the crooks of the hooks of adjacent rows in the second portion of the array overlap each other in side profile to interfere with the ability of the crooks to engage loop elements.

In another aspect, the invention features a fastener product that includes (a) a first fastener component comprising a common base and an array of hook-shaped fastener

elements arranged in parallel rows on the common base, and (b) a second fastener element, comprising a common base and a plurality of loops extending from the base for engagement with the hooks. Each fastener element includes a stem and a crook extending from the stem in a predetermined direction to a distal tip, and the array  
5 includes a plurality of rows of fastener elements, arranged so that, in each row, all of the crooks face in the same direction and parallel to the direction of the row, the crooks of adjacent rows face in opposite directions. The longitudinal spacing between opposing tips of adjacent hooks of adjacent rows is greater, in a first portion of the array, than the longitudinal spacing between opposing tips of adjacent hooks of adjacent rows in a  
10 second portion of the array. As a result, the crooks of the hooks of the first portion of the array are more exposed for engaging loops than the crooks of the hooks of the second portion of the array.

In preferred implementations, the product includes a strip of fastener tabs or a fastener tape.

15 In some cases, the product includes a personal care product. By "personal care product" as used within this patent application, we mean diapers, training pants, swim wear, absorbent underpants, adult incontinence products and feminine hygiene products.

In another aspect, an absorbent article is provided. The article has a flexible  
20 sheet for fitting about the body of a wearer, the flexible sheet having a first waist portion and a second waist portion. A first fastener element is coupled to the first waist portion, having a common base and a plurality of loops extending from the base. A second fastener component is coupled to the second waist portion such that the second fastener component can be brought into contact with the first fastener element when the first waist  
25 portion and the second waist portion are fitted about the body of a wearer. The second fastener component has a common base and an array of hook-shaped fastener elements arranged in parallel rows on the common base, with the fastener elements arranged as described above so as to enhance the grippability of the second fastener component.

In another aspect, the invention features a method of forming an array of  
30 fastener elements extending from a common base. The method includes providing a mold having a mold surface from which an array of fixed mold cavities extend inwardly. Each mold cavity defines a hook including a stem and a crook extending from the stem in a predetermined direction, with the array including a plurality of rows of cavities

arranged such that, in each row, all of the crooks face in the same direction and parallel to the direction of the row, and with the crooks of adjacent rows face in opposite directions. The registration of adjacent rows is adjusted so that the longitudinal spacing between opposing tips of adjacent hooks of adjacent rows in a first portion of the array is greater  
5 than the longitudinal spacing between opposing tips of adjacent hooks of adjacent rows in a second portion of the array, such that the crooks of the hooks of the first portion are more exposed for engaging loops than the crooks of the hooks of the second portion. Moldable resin is delivered to the mold, thereby filling the mold cavities and forming the common base. The resin is solidified in the cavities to form the fastener elements, which  
10 are then removed from their corresponding fixed mold cavities by pulling the common base away from the mold surface.

In some implementations the method further includes forming the mold cavities by aligning a plurality of mold plates in face to face relation, registered openings in the aligned mold plates defining the mold cavities.

15 The adjusting step may include rotating at least some of the mold plates relative to other mold plates.

In some cases the mold plates are disk-shaped and, when aligned, form a mold roll, the mold cavities extending inwardly from a peripheral surface of the mold roll.

20 The delivering step includes, in some embodiments, extruding molten resin into a nip defined between the mold roll and a pressure roll.

In another aspect of the invention, a method is provided for varying the loop engagement characteristics of a molded fastener product produced with a set of mold plates arranged in face-to-face relation to form an array of fastener element mold cavities, with each mold plate defining one of many rows of cavities of the array. The method  
25 includes positioning the mold plates to purposefully set the longitudinal registration of adjacent rows of the array to decrease longitudinal spacing between adjacent fastener element cavities of adjacent rows, to produce a fastener product with at least a region of an array of fastener elements having a lower loop engageability than a fastener product molded with the mold plates in a different position.

30 The invention also features, in another aspect, a mold for forming a fastener device. The mold has a mold body with a surface on which a common base can be molded, and defines an array of mold cavities extending into the mold body from the surface. The mold cavities are arranged in parallel rows, with each fastener element

including a stem and a crook extending from the stem in a predetermined direction to a distal tip. The array includes a plurality of rows of fastener elements arranged such that, in each row, all of the crooks face in the same direction and parallel to the direction of the row, with the crooks of adjacent rows facing in opposite directions. The longitudinal  
5 spacing between opposing tips of adjacent hooks of adjacent rows in a first portion of the array is greater than the longitudinal spacing between opposing tips of adjacent hooks of adjacent rows in a second portion of the array, such that the crooks of the hooks of the first portion are more exposed for engaging loops than the crooks of the hooks of the second portion.

10 The invention also features a strip of continuously molded fastener tape and a die cut strip of fastener tabs, having the features described above.

In yet another aspect, the invention features an array of hook-shaped fastener elements arranged in parallel rows, each fastener element including a stem and a crook extending from the stem in a predetermined direction to a distal tip, the array having a  
15 substantially constant hook density over its surface, and a first portion of the array being constructed to engage loops to a greater extent than a second portion of the array.

In a further aspect, the invention features an array of male fastener elements arranged in parallel rows, each fastener element including a stem and a loop-engaging portion extending from the stem, the array including a plurality of rows of fastener  
20 elements. The longitudinal spacing between loop-engaging portions of opposing pairs of fastener elements of adjacent rows in a first portion of the array is greater than the longitudinal spacing between loop-engaging portions of opposing pairs of fastener elements of adjacent rows in a second portion of the array, such that the loop-engaging portions of the fastener elements of the first portion are more exposed for engaging loops  
25 than the loop-engaging portions of the fastener elements of the second portion.

In some implementations the male fastener elements are mushroom shaped.

The invention also features an array of male fastener elements arranged in parallel rows, each fastener element including a stem and a loop-engaging portion extending from the stem, the array having a substantially constant hook density over its  
30 surface, and a first portion of the array being constructed to engage loops to a greater extent than a second portion of the array.

The invention can provide, inter alia, the advantage of increasing the grippability of engaged fastener tabs without increasing their manufacturing costs. This

can be particularly valuable on diapers and other garments, and on fasteners securing emergency medical or fire-fighting equipment. In another sense, the invention can provide the advantage of providing a grip tab with a reduced, but not negligible, amount of loop engageability, such that the grip tab can itself be lightly secured to a loop surface.

5 As applied to diaper tabs, this can make the tab less susceptible to being manipulated by an infant or becoming undesirably released during infant movement. In conjunction with the multiple-plate molding method, where each plate forms one of several rows of fastener elements, the invention is readily implemented by shifting the longitudinal registration of adjacent plates to skew the spacing of adjacent fastener elements to either

10 enhance or degrade their loop engageability. Such registration manipulation is also useful for enabling the molding of fastener products with differing loop engagement characteristics with a single set of mold plates. Such plates can be very expensive to manufacture, and a shift in registration can be much less expensive than having multiple sets of plates of different hook cavity shapes or in-row spacings.

15 Other features and advantages of the invention will be apparent from the following description of a presently preferred embodiment, and from the claims.

#### Brief Description of the Drawings

20 Fig. 1 is a perspective view of an array of hook elements arranged in a conventional manner.

Fig. 2 is a top view of an array of hook elements having regions of high and low engageability with loop elements.

25 Figs. 3 and 3A are cross-sectional side views of adjacent rows of hook elements arranged for engagement with loop elements. Fig. 3 is a cross-sectional view taken along line 3-3 in Fig. 2. Fig. 3A further illustrates engagement of hook elements with loops.

30 Figs. 4 and 4A are cross-sectional side views of two adjacent rows of hook elements in first and second arrays, respectively, of hook elements arranged for diminished loop engageability. Fig. 4 is a cross-sectional view taken along line 4-4 in Fig. 2. Fig. 4A further illustrates attempted engagement of hook elements with loops.

Fig. 5 is a schematic top view of the array of Fig. 2 after die cutting to form a strip of fastener tabs.

Fig. 6 is a perspective view of a diaper equipped with diaper tabs having fastener tabs of the present invention.

Fig. 7 is a perspective view of the diaper of Fig. 6 being removed from an infant.

5

#### Description of Embodiments

Referring to Fig. 2, a continuous array 10 of hook-shaped fastener elements 12 (shown in outline, with arrows pointing toward hook tips) extend from an integrally molded, sheet-form base 11. Across its width, fastener array 10 includes fastening regions 14, in which the fastener elements 12 are arranged to have a relatively high engageability with mating elements such as loops, and a gripping region 16, in which the fastener elements 12 are arranged to have a relatively low engageability for mating elements.

Regions 14 and 16 have parallel longitudinal rows of hooks 12 with the hooks of each row oriented in a uniform direction (as indicated by the arrows in Fig. 2). The relative engageability with mating elements (e.g., loops) of regions 14, 16 is determined by the relative spacing between hooks of adjacent rows. In regions 14, the hooks of adjacent rows are longitudinally spaced to enable a mating loop to readily extend between the hooks and be snared by the re-entrant hook tips, as is well known in the prior art and illustrated in Fig. 3A, for example. The opposing crooks of adjacent hooks of adjacent rows are spaced apart longitudinally to form a gap of width "S<sub>1</sub>" for receiving loops 32 that extend, for example, from a mating loop component 30 across the adjacent rows of hooks for engagement by the hook crooks (Fig. 3A). Fig. 3 shows another arrangement of hooks arranged to form longitudinal gaps of width "S<sub>1</sub>" for receiving loops.

In comparison and referring back to Fig. 2, in gripping region 16 hooks 12 of adjacent rows are longitudinally spaced such that adjacent, opposing crooks longitudinally overlap a distance "S<sub>2</sub>" (see also Figs. 4 and 4A) to restrict clearance between the engageable crooks 20 of the hooks 12. As shown in Fig. 4A, individual loops 32 are generally prevented from passing between the adjacent hook tips 18 and are thus less likely to engage hooks 12 than in the fastening regions of the hook array. With fewer engagements of loops with hooks, gripper region 16 is relatively easier to separate from mat 30 than are fastener regions 14 (Fig. 2).

As noted above, if the fastener array is formed using a Fischer process, the regions of relatively low engageability 16 can be formed by rotationally indexing the mold plates that form alternating rows of cavities to cause the longitudinal spacing between tips of the hook cavities to be relatively closer than the longitudinal spacing of the tips in the high loop engageability (i.e., normal registration) areas of the mold.

As shown in Fig. 5, the array shown in Fig. 2 and described above can be die cut along dashed lines 22 to form a strip of fastener tabs 24, each fastener tab having a grip portion 26 (shown cross-hatched) that has a relatively low loop engageability and allows the fastener tab to be easily disengaged by pulling the grip portion, and a fastening portion 28 that has a relatively high loop engageability for securing the fastener tab to a loop material. The "longitudinal direction" of the product is shown by arrow "A".

The easily disengaged grip portion 26 is advantageous for many applications. For example, as shown in Fig. 6, fastener tabs 24 may be attached to a diaper 40 for fastening the diaper about a wearer. Diaper 40 is equipped with a fastener element engaging region having loops 44 for engaging the fastener elements 12 of the fastener tab 24. As illustrated in Fig. 7, with the diaper 40 secured about a wearer 50 by engagement of the fastener elements 12 of fastener tab 24 to loops 44, the user 52 can readily grasp the grip portion 26 of the fastener tab 24 due to its low loop engageability. Subsequently, user 52 can peel the grip portion away from loops 44 to disengage the fastening region 28 of fastener tab 24 from loops 44. With the fastener tab fully released the diaper can be removed from the wearer or re-secured about the wearer by re-engaging the fastener elements 12 of fastener tab 24 with the loops 44.

Other embodiments are within the claims. For example, the fastener elements may have multiple, laterally directed tips. The fastener element array of varying engageability may be attached to a loop material to form a self-engageable fastener product. The fastener elements may be purposefully arranged such that the engageability variation occurs in the direction along which the hook tips extend, although such an arrangement does not share the advantage of being readily molded in rows with Fischer-type hook plates of constant hook cavity spacing.

What is claimed is:

1           1. An array of hook-shaped fastener elements arranged in parallel rows, each  
2 fastener element including a stem and a crook extending from the stem in a  
3 predetermined direction to a distal tip,  
4           the array including a plurality of rows of fastener elements, arranged so that,  
5 in each row, all of the crooks face in the same direction and parallel to the direction of the  
6 row, and so that the crooks of adjacent rows face in opposite directions;  
7           the longitudinal spacing between opposing tips of adjacent hooks of adjacent  
8 rows in a first portion of the array being greater than the longitudinal spacing between  
9 opposing tips of adjacent hooks of adjacent rows in a second portion of the array, such  
10 that the crooks of the hooks of the first portion are more exposed for engaging loops than  
11 the crooks of the hooks of the second portion.

1           2. The array of claim 1 wherein in the second portion of the array, the crooks  
2 of hooks of adjacent rows longitudinally overlap each other to interfere with the ability of  
3 the overlapping crooks to engage loop elements.

1           3. A fastener product, comprising

2           (a) a first fastener component comprising a common base and an array of  
3 hook-shaped fastener elements arranged in parallel rows on said common base, each  
4 fastener element including a stem and a crook extending from the stem in a  
5 predetermined direction to a distal tip,  
6           the array including a plurality of rows of fastener elements, arranged  
7 so that, in each row, all of the crooks face in the same direction and parallel to the  
8 direction of the row, and so that the crooks of adjacent rows face in opposite directions,  
9           the longitudinal spacing between opposing tips of adjacent hooks of  
10 adjacent rows in a first portion of the array being greater than the longitudinal spacing  
11 between opposing tips of adjacent hooks of adjacent rows in a second portion of the  
12 array, such that the crooks of the hooks of the first portion are more exposed for engaging  
13 loops than the crooks of the hooks of the second portion; and  
14           (b) a second fastener element, comprising a common base and a plurality  
15 of loops extending from said base for engagement with said hooks.

1           4. The product of claim 3 wherein the product comprises a strip of fastener  
2 tabs.

1           5. The product of claim 3 wherein the product comprises a strip of fastener  
2 tape.

1           6. The product of claim 3 further comprising a personal care product.

1           7. The product of claim 6 wherein the personal care product is a diaper.

1           8. The product of claim 6 wherein the personal care product is a feminine  
2 hygiene product.

1           9. The product of claim 6 wherein the personal care product is an adult  
2 incontinence item.

1           10. The product of claim 6 wherein the personal care product is a training  
2 pant.

1           11. A method of forming an array of fastener elements extending from a  
2 common base, the method comprising,

3           providing a mold having a mold surface from which an array of fixed hook  
4 mold cavities extend inwardly, each mold cavity defining a stem and a crook extending  
5 from the stem to a tip in a predetermined direction, the array including a plurality of  
6 longitudinal rows of cavities arranged such that, in each row, all of the crooks face in the  
7 same direction and parallel to the direction of the row, with the crooks of adjacent rows  
8 facing in opposite directions;

9           adjusting the registration of adjacent rows so that the longitudinal spacing  
10 between opposing tips of adjacent mold cavities of adjacent rows in a first portion of the  
11 array being greater than the longitudinal spacing between opposing tips of adjacent mold  
12 cavities of adjacent rows in a second portion of the array, for molding an array of hooks  
13 having regions of relatively high and low loop engageability;

14 delivering moldable resin to the mold, thereby filling the mold cavities and  
15 forming the common base;  
16 solidifying the resin in the cavities to form the fastener elements; and  
17 removing the solidified fastener elements from their corresponding fixed mold  
18 cavities by pulling the common base away from the mold surface.

1 12. The method of claim 11 further including forming the mold cavities by  
2 aligning a plurality of mold plates in face to face relation, registered openings in the  
3 aligned mold plates defining the mold cavities.

1 13. The method of claim 12 wherein said adjusting step includes rotating at  
2 least some of said mold plates relative to other mold plates.

1 14. The method of claim 12 wherein said mold plates are disk-shaped and,  
2 when aligned, form a mold roll, said mold cavities extending inwardly from a peripheral  
3 surface of said mold roll.

1 15. The method of claim 14 wherein said delivering step comprises extruding  
2 molten resin into a nip defined between said mold roll and a pressure roll.

1 16. A mold for forming a fastener device comprising:  
2 a mold body having a surface on which a common base can be molded; and  
3 an array of mold cavities extending into the mold body from said surface, said  
4 mold cavities being arranged in parallel rows, each fastener element including a stem and  
5 a crook extending from the stem in a predetermined direction to a distal tip,  
6 the mold cavities arranged in a plurality of longitudinal rows such that, in each  
7 row, all of the crooks face in the same direction and parallel to the direction of the row,  
8 with the crooks of adjacent rows face in opposite directions;  
9 the longitudinal spacing between opposing tips of adjacent mold cavities of  
10 adjacent rows in a first portion of the array being greater than the longitudinal spacing  
11 between opposing tips of adjacent mold cavities of adjacent rows in a second portion of  
12 the array, for molding an array of hooks having regions of relatively high and low loop  
13 engageability.

1           17. The mold of claim 16 wherein the mold cavities are formed by aligning a  
2 plurality of mold plates in face to face relation, registered openings in the aligned mold  
3 plates defining the mold cavities.

1           18. The mold of claim 17 wherein said mold plates are disk-shaped and, when  
2 aligned, form a mold roll, said mold cavities extending inwardly from a peripheral  
3 surface of said mold roll.

1           19. A strip of continuously molded fastener tape comprising  
2 a common base and an array of hook-shaped fastener elements arranged in  
3 parallel rows on said common base, each fastener element including a stem and a crook  
4 extending from the stem in a predetermined direction to a distal tip,  
5 the array including a plurality of rows of fastener elements, arranged so that,  
6 in each row, all of the crooks face in the same direction and parallel to the direction of the  
7 row, and so that the crooks of adjacent rows face in opposite directions,  
8 the longitudinal spacing between opposing tips of adjacent hooks of adjacent  
9 rows in a first portion of the array being greater than the longitudinal spacing between  
10 opposing tips of adjacent hooks of adjacent rows in a second portion of the array, such  
11 that the crooks of the hooks of the first portion are more exposed for engaging loops than  
12 the crooks of the hooks of the second portion.

1           20. A die cut strip of fastener tabs comprising  
2 a common base and an array of hook-shaped fastener elements arranged in  
3 parallel rows on said common base, each fastener element including a stem and a crook  
4 extending from the stem in a predetermined direction to a distal tip,  
5 the array including a plurality of rows of fastener elements, arranged so that,  
6 in each row, all of the crooks face in the same direction and parallel to the direction of the  
7 row, and so that the crooks of adjacent rows face in opposite directions,  
8 the longitudinal spacing between opposing tips of adjacent hooks of adjacent  
9 rows in a first portion of the array being greater than the longitudinal spacing between  
10 opposing tips of adjacent hooks of adjacent rows in a second portion of the array, such

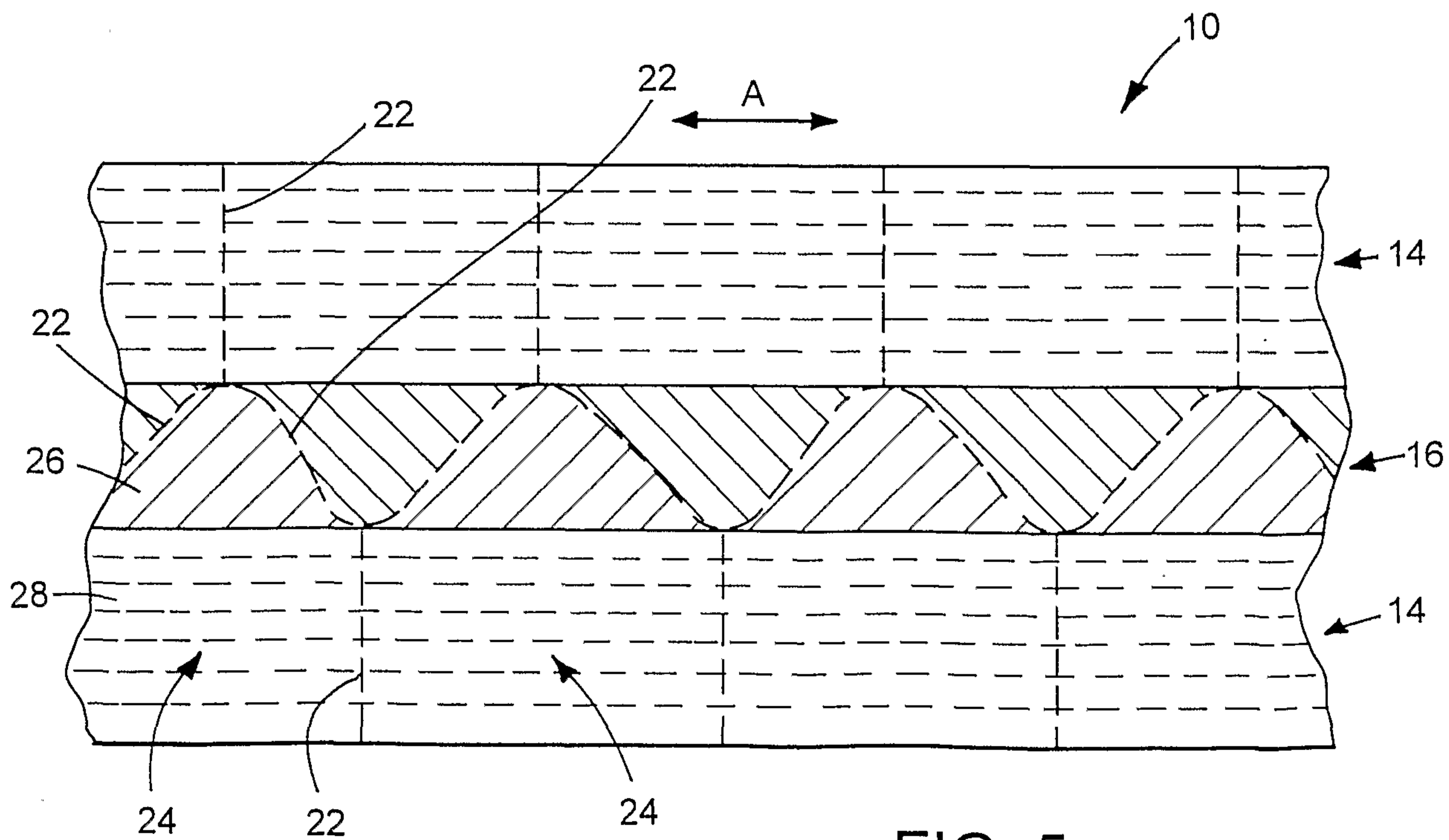
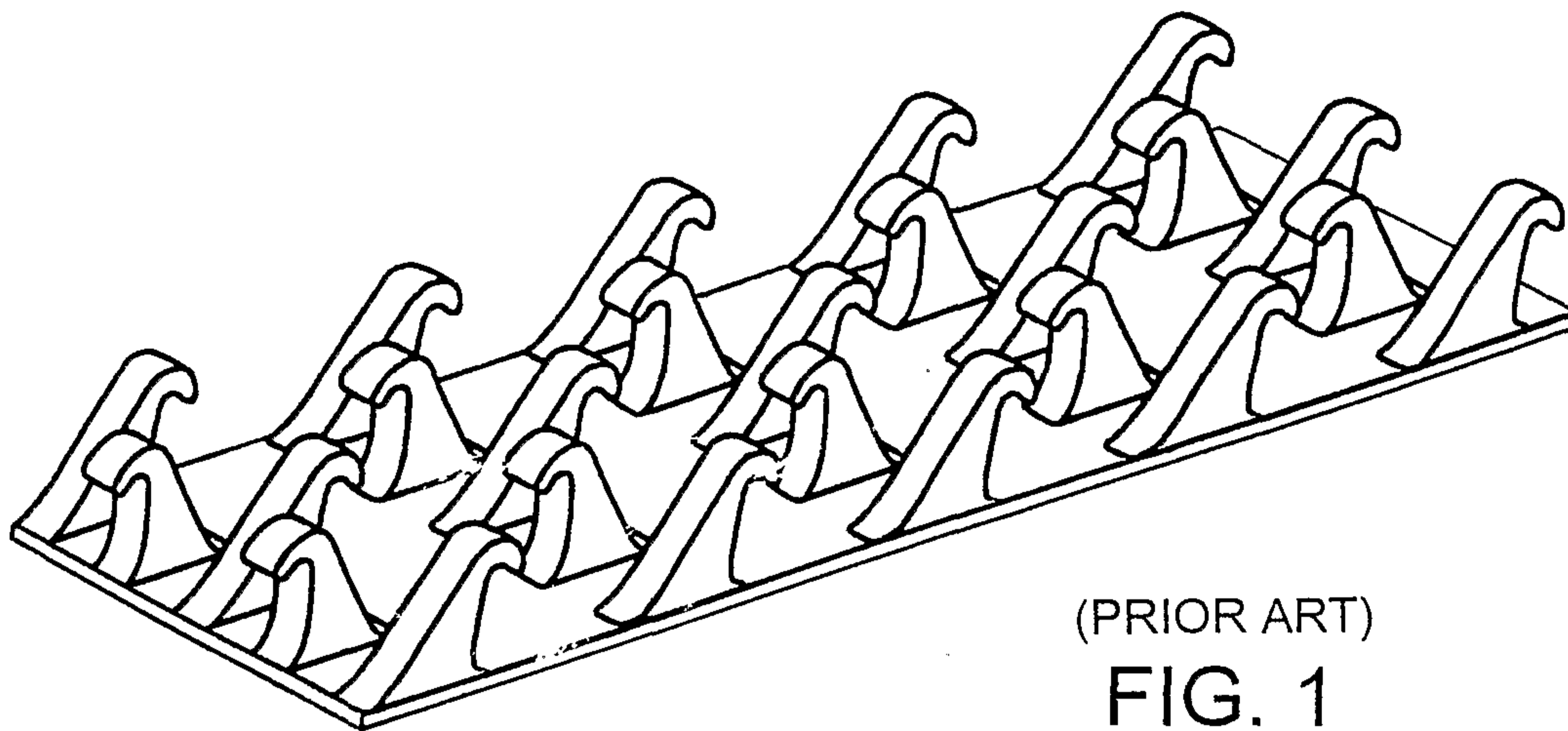
11 that the crooks of the hooks of the first portion are more exposed for engaging loops than  
12 the crooks of the hooks of the second portion,  
13 the array being die cut at predetermined locations to define a plurality of tabs.

1 21. An array of hook-shaped fastener elements arranged in parallel rows, each  
2 fastener element including a stem and a crook extending from the stem in a  
3 predetermined direction to a distal tip, the array having a substantially constant fastener  
4 element density, with the fastener elements of a first portion of the array arranged to  
5 engage loops to a greater extent than the fastener elements of a second portion of the  
6 array.

1 22. An array of male fastener elements arranged in parallel rows, each  
2 fastener element including a stem and a loop-engaging portion extending from the stem,  
3 the array including a plurality of rows of fastener elements;  
4 the longitudinal spacing between loop-engaging portions of opposing pairs of  
5 fastener elements of adjacent rows in a first portion of the array being greater than the  
6 longitudinal spacing between loop-engaging portions of opposing pairs of fastener  
7 elements of adjacent rows in a second portion of the array, such that the loop-engaging  
8 portions of the fastener elements of the first portion are more exposed for engaging loops  
9 than the loop-engaging portions of the fastener elements of the second portion.

1 23. An array of male fastener elements arranged in parallel rows, each  
2 fastener element including a stem and a loop-engaging portion extending from the stem,  
3 the array having a substantially constant fastener element density over its surface, and a  
4 first portion of the array being constructed to engage loops to a greater extent than a  
5 second portion of the array.

1           24. A method of varying the loop engagement characteristics of a molded  
2 fastener product produced with a set of mold plates arranged in face-to-face relation to  
3 form an array of fastener element mold cavities, with each mold plate defining one of  
4 many rows of cavities of the array, the method including positioning the mold plates to  
5 purposefully set the longitudinal registration of adjacent rows of the array to decrease  
6 longitudinal spacing between adjacent fastener element cavities of adjacent rows, to  
7 produce a fastener product with at least a region of an array of fastener elements having a  
8 lower loop engageability than a fastener product molded with the mold plates in a  
9 different position.  
10



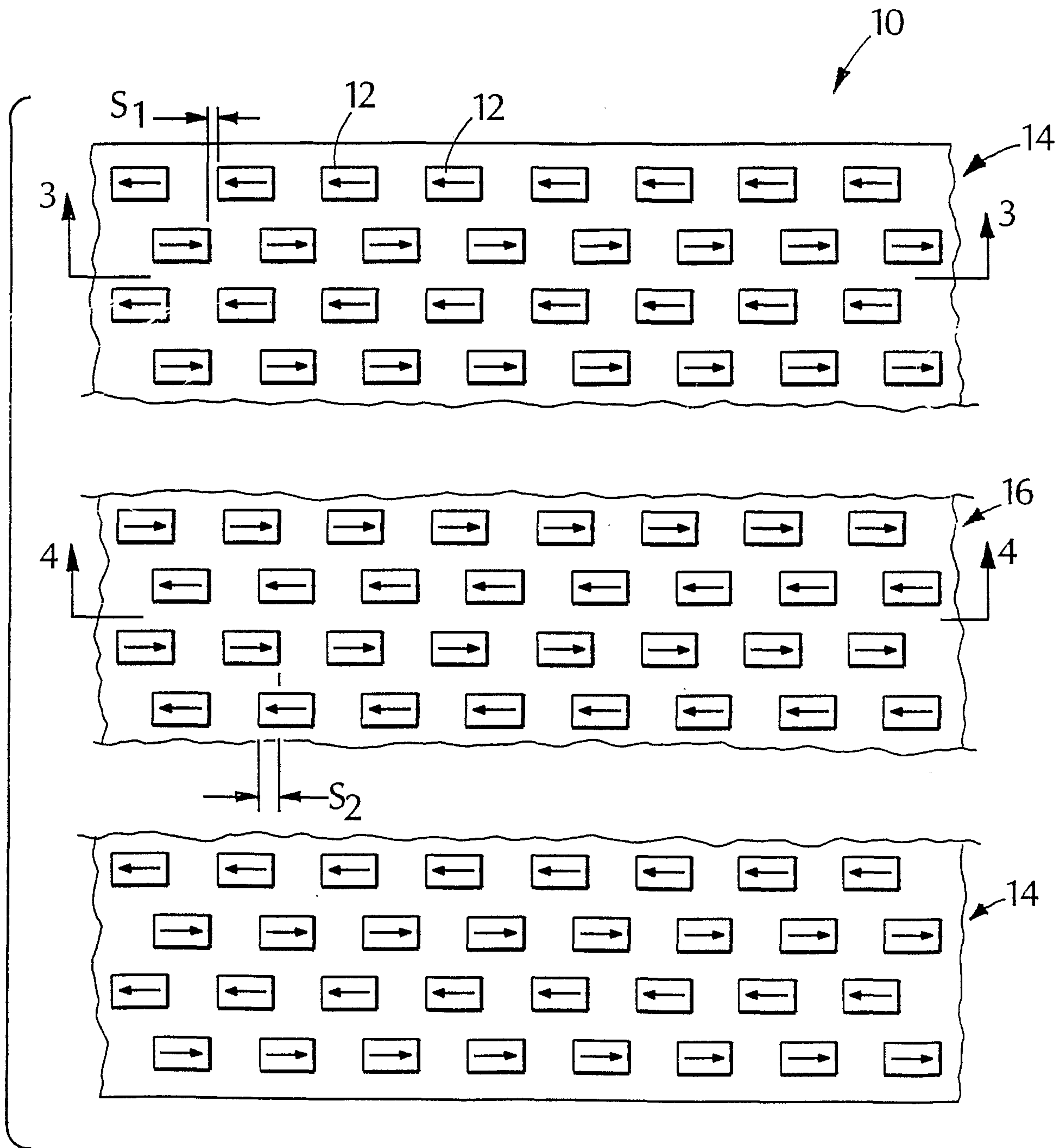


FIG. 2

