



US00D809861S

(12) **United States Design Patent**
Sze

(10) **Patent No.:** **US D809,861 S**

(45) **Date of Patent:** **** Feb. 13, 2018**

(54) **TEA INFUSER**

(71) Applicant: **OMMO Co., Limited**, Kowloon (HK)

(72) Inventor: **Yik King Sze**, Kowloon (HK)

(73) Assignee: **OMMO CO., LIMITED**, Hong Kong (HK)

(**) Term: **15 Years**

(21) Appl. No.: **29/560,644**

(22) Filed: **Apr. 8, 2016**

(30) **Foreign Application Priority Data**

Feb. 25, 2016 (CN) 2016 3 0052300

(51) **LOC (11) Cl.** **07-99**

(52) **U.S. Cl.**
USPC **D7/400; D7/667**

(58) **Field of Classification Search**
USPC D7/400, 399, 397, 700, 369, 667;
99/289 D, 323; D23/366; D32/29.1
CPC A47J 31/02; A47J 31/20; A47G 19/00;
B65D 85/808
See application file for complete search history.

(56) **References Cited**

U.S. PATENT DOCUMENTS

1,247,906 A * 11/1917 Tully B65D 85/808
426/84
1,931,765 A * 10/1933 Leever A47G 19/16
206/0.5

2,260,858 A * 10/1941 Naef A47G 19/16
206/0.5
D158,404 S * 5/1950 Polan et al. D7/400
D225,671 S * 12/1972 Tanaka 99/323
5,623,865 A * 4/1997 Sidiropoulos A47G 19/16
426/77
6,300,857 B1 * 10/2001 Herwig H01F 27/2895
336/198
6,762,666 B2 * 7/2004 Chu H01F 3/14
336/178
D506,633 S * 6/2005 Dick-Read D7/300.2
D750,429 S * 3/2016 Lindsay D7/399
D755,360 S * 5/2016 Gan D23/366
9,629,494 B2 * 4/2017 Fu A47J 31/06

* cited by examiner

Primary Examiner — Marianne Pandozzi
(74) *Attorney, Agent, or Firm* — Tarolli, Sundheim,
Covell & Tummino LLP

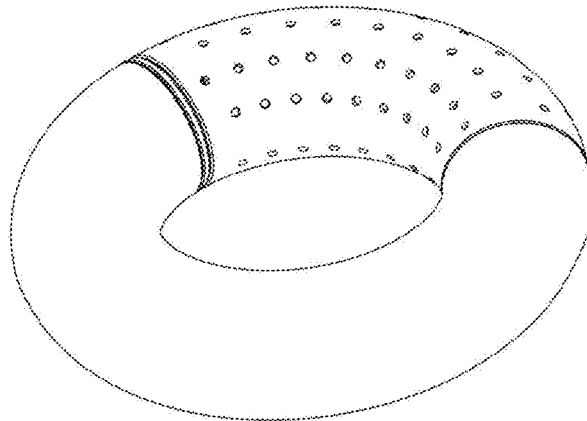
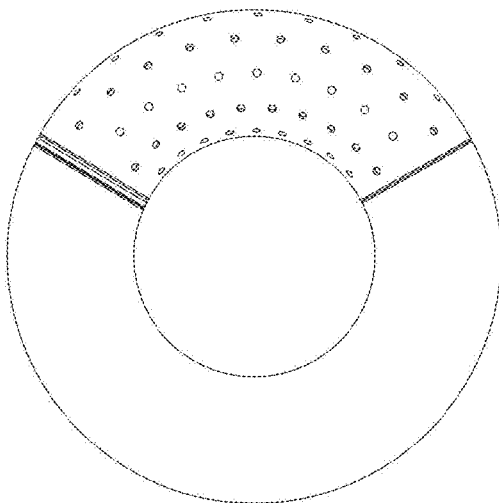
(57) **CLAIM**

The ornamental design for a tea infuser, as shown and described.

DESCRIPTION

FIG. 1 is a front elevational view of a tea infuser showing my new design;
FIG. 2 is a rear elevational view thereof;
FIG. 3 is a left side elevational view thereof;
FIG. 4 is a right side elevational view thereof;
FIG. 5 is a top plan view thereof;
FIG. 6 is a bottom plan view thereof; and
FIG. 7 is a front perspective view thereof.

1 Claim, 7 Drawing Sheets



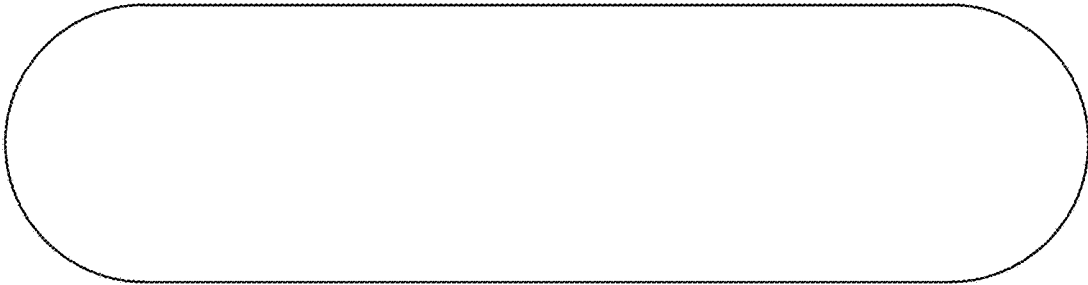


Fig. 1

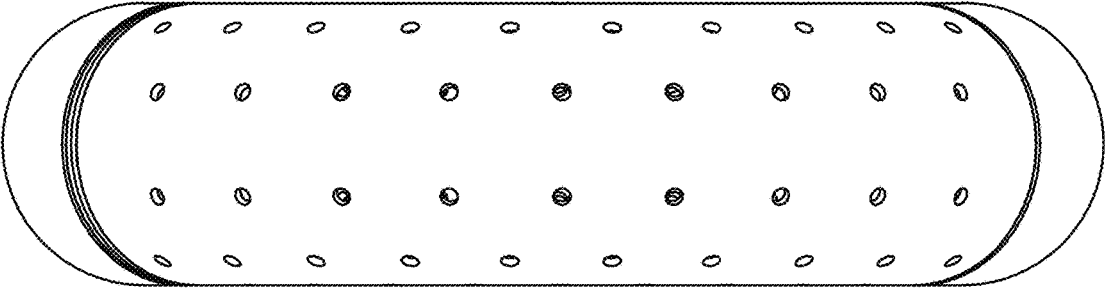


Fig. 2

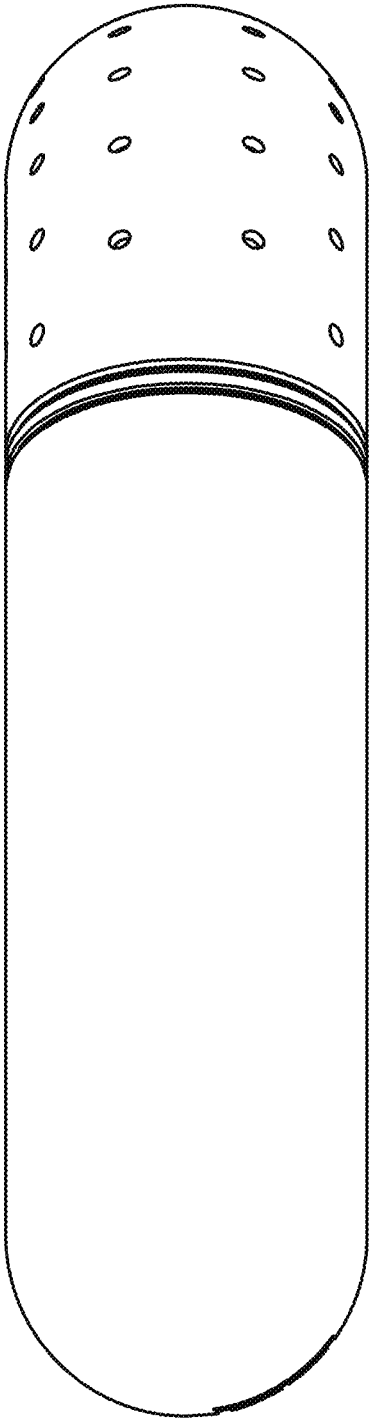


Fig. 3

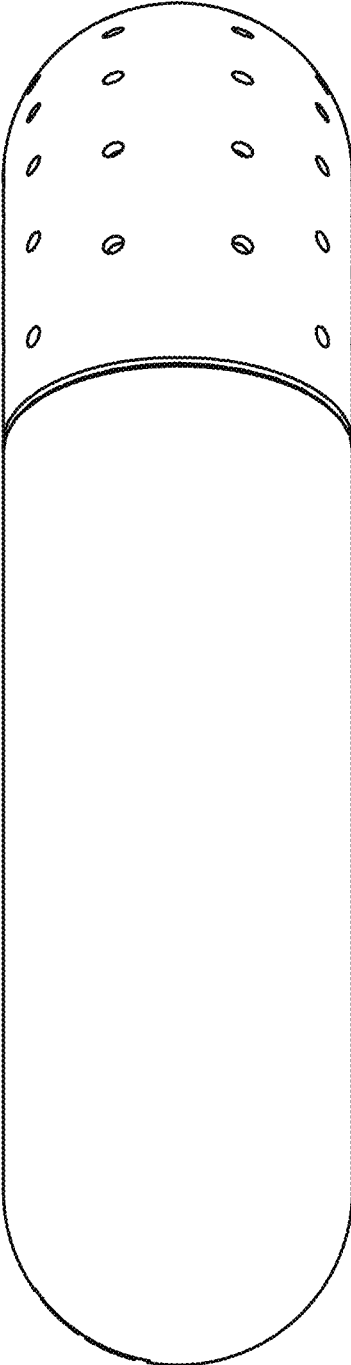


Fig. 4

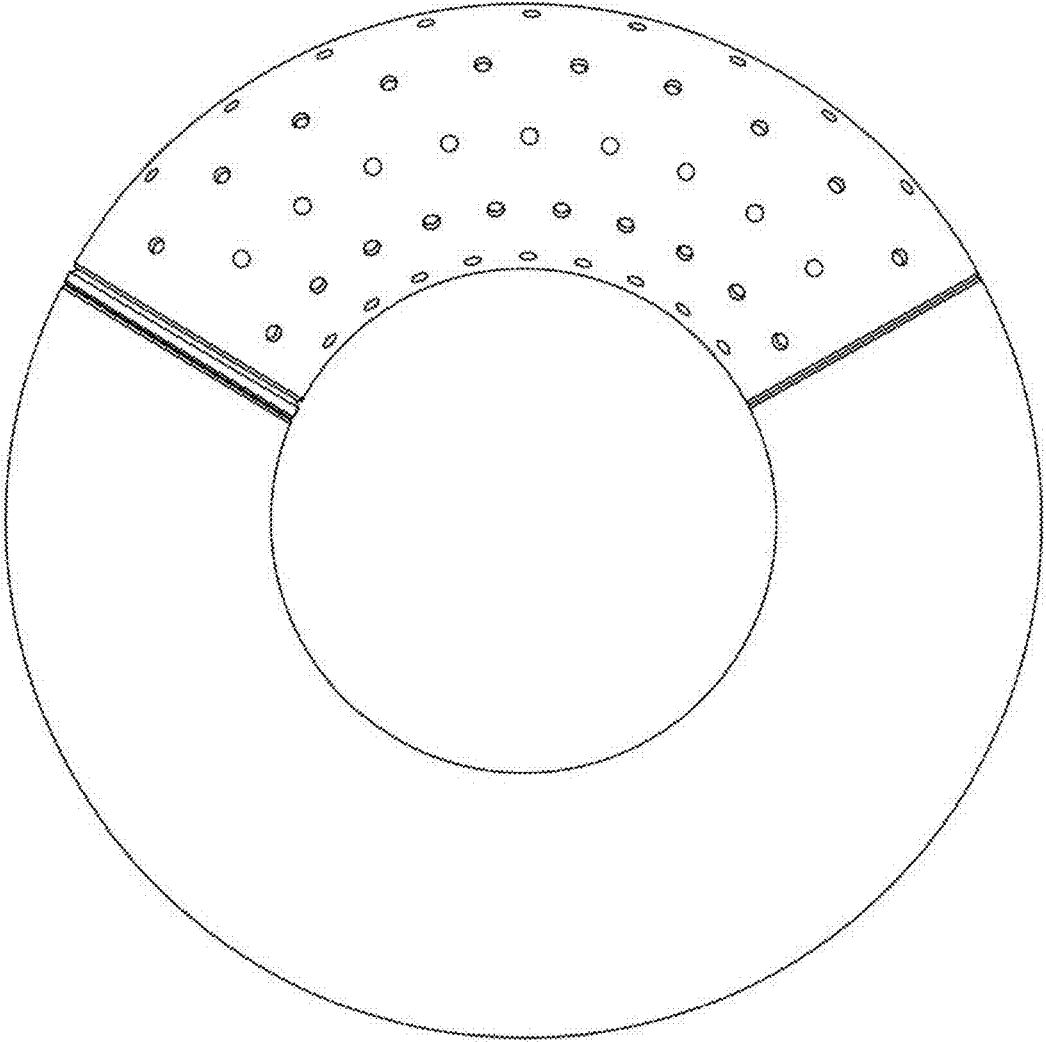


Fig. 5

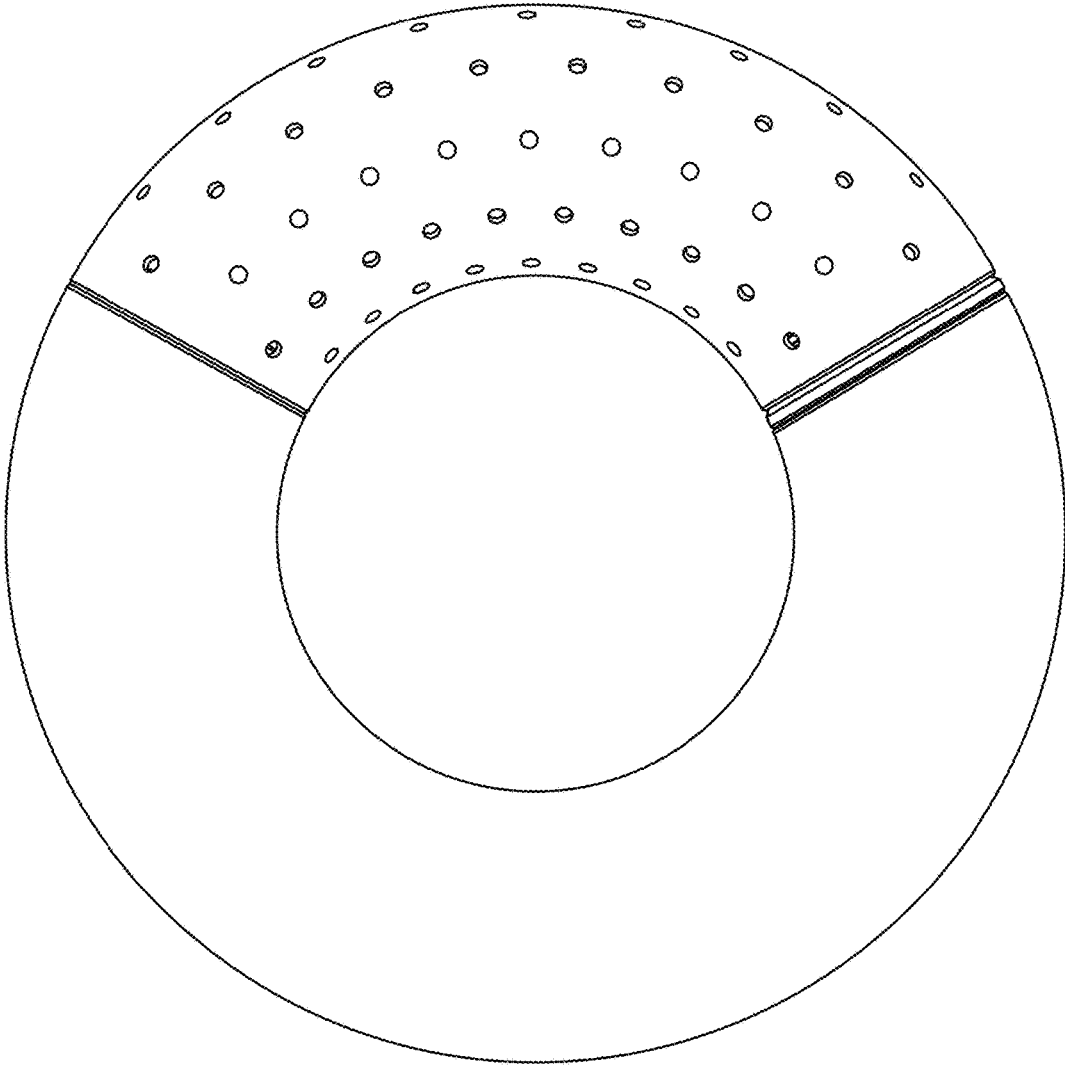


Fig. 6

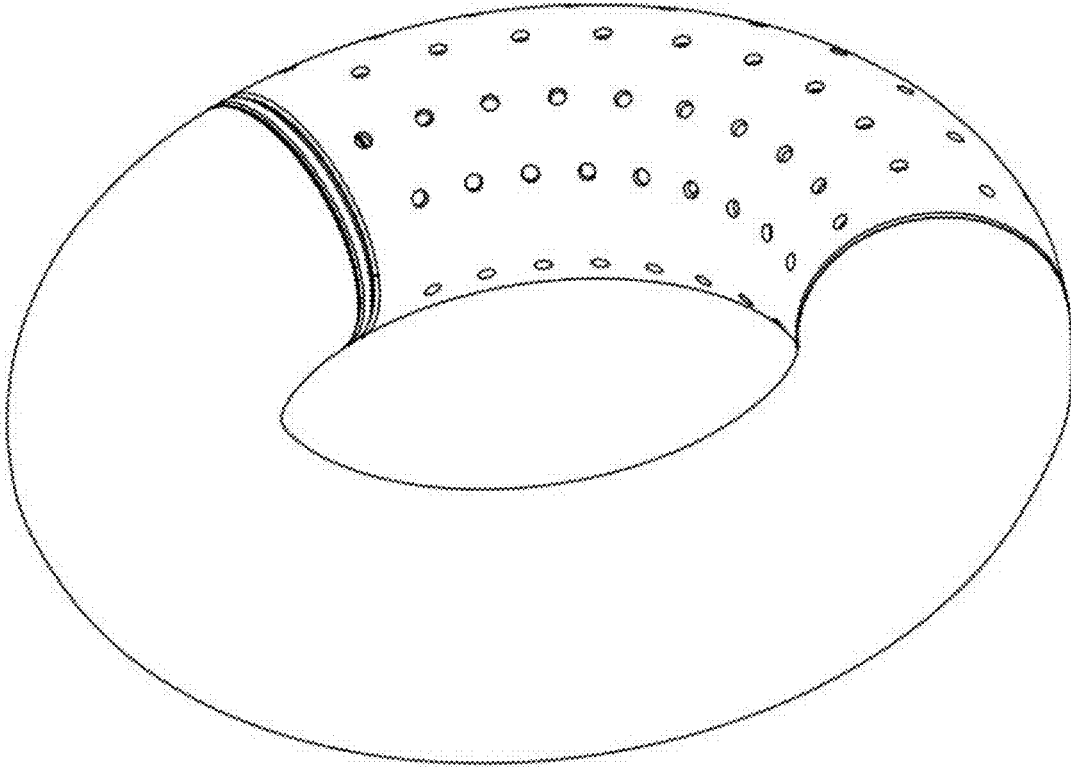


Fig. 7