



US00D701565S

(12) **United States Design Patent**
Lin

(10) **Patent No.:** **US D701,565 S**

(45) **Date of Patent:** **** Mar. 25, 2014**

(54) **BINDER CLIP**

(71) Applicant: **Chin-Cheng Lin**, Taichung (TW)

(72) Inventor: **Chin-Cheng Lin**, Taichung (TW)

(**) Term: **14 Years**

(21) Appl. No.: **29/473,928**

(22) Filed: **Nov. 27, 2013**

(51) **LOC (10) Cl.** **19-02**

(52) **U.S. Cl.**

USPC **D19/65**

(58) **Field of Classification Search**

USPC D8/394, 395; D19/65, 86, 88, 99, 100;
24/67 R, 67.3, 67.5, 67.7, 67.9, 67.11,
24/489, 531, 563, 570, DIG. 8, DIG. 9;
40/658, 666

See application file for complete search history.

5,638,583	A *	6/1997	Tseng	24/67.5
5,896,624	A *	4/1999	Horswell	24/67.5
5,950,283	A *	9/1999	Sato	24/67 R
6,226,840	B1 *	5/2001	Lu	24/67.5
6,327,749	B1 *	12/2001	Antinone	24/67 R
6,363,941	B1 *	4/2002	Combs	131/190
6,374,463	B1 *	4/2002	Kaufman	24/67.5
D478,352	S *	8/2003	Huang	D19/65
D485,780	S *	1/2004	Thomson	D11/78.1
6,745,805	B2 *	6/2004	Thomson	150/137
7,120,969	B2 *	10/2006	Carls	24/67.3
7,305,741	B2 *	12/2007	Joe	24/67.5
7,318,293	B2 *	1/2008	Ardern, II	40/666
7,730,593	B1 *	6/2010	Juilly	24/67.5
7,992,260	B1 *	8/2011	Juilly	24/67.5
D663,774	S *	7/2012	Lau	D19/65
D664,200	S *	7/2012	Lau	D19/65
D672,394	S *	12/2012	Lau	D19/65
D673,219	S *	12/2012	Lau	D19/65
2001/0032376	A1 *	10/2001	Payne	24/67.5

* cited by examiner

Primary Examiner — Elizabeth Albert

(56) **References Cited**

U.S. PATENT DOCUMENTS

D31,430	S *	8/1899	Powers	D11/205
1,139,627	A *	5/1915	Baltzley	24/565
1,569,986	A *	1/1926	Kurtzborn	281/42
1,857,934	A *	5/1932	Blackburn	40/658
1,865,453	A *	7/1932	Baltzley	24/545
D141,629	S *	6/1945	Brand	D11/56
2,910,749	A *	11/1959	Parker	24/67.9
3,286,381	A *	11/1966	Wooge	40/641
4,261,121	A *	4/1981	Coon	40/332
4,665,594	A *	5/1987	Wagner	24/546
D301,897	S *	6/1989	Wagner	D19/65
D321,210	S *	10/1991	Hinomori	D19/65
5,533,236	A *	7/1996	Tseng	24/67.5
D372,498	S *	8/1996	Sato	D19/65
5,619,789	A *	4/1997	Chung	29/814

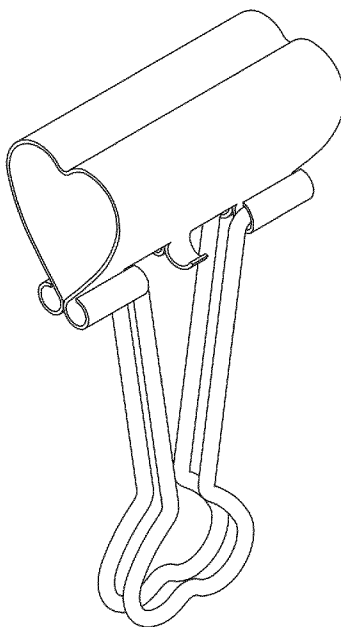
(57) **CLAIM**

The ornamental design for a binder clip, as shown and described.

DESCRIPTION

FIG. 1 is a perspective view of a binder clip showing my new design;
FIG. 2 is a front view thereof;
FIG. 3 is a rear view thereof;
FIG. 4 is a left side view thereof;
FIG. 5 is a right side view thereof;
FIG. 6 is a top plan view thereof; and,
FIG. 7 is a bottom plan view thereof.

1 Claim, 7 Drawing Sheets



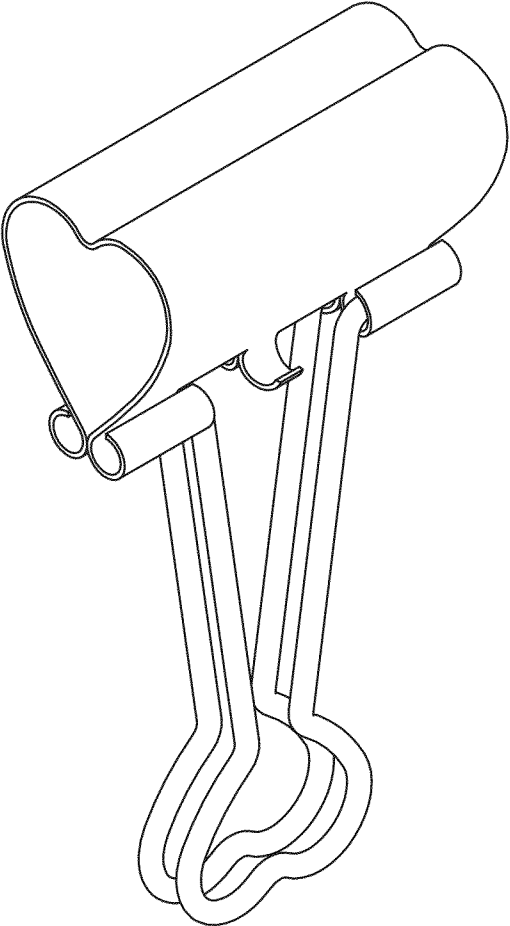


FIG. 1

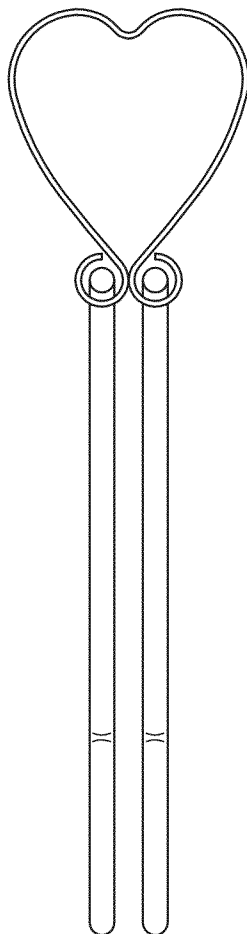


FIG. 2

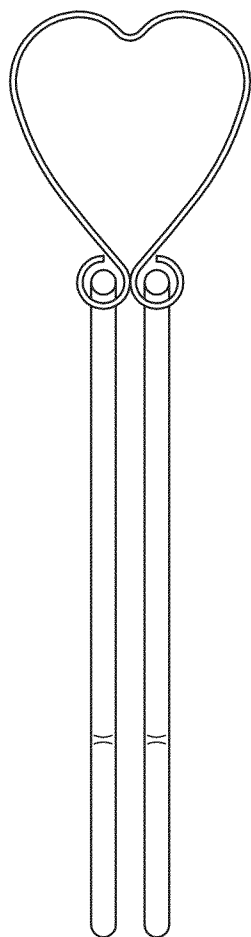


FIG. 3

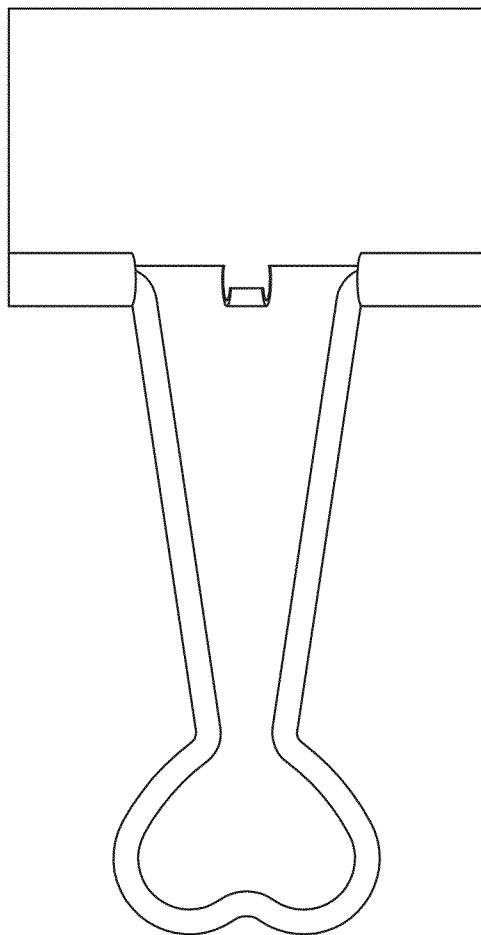


FIG. 4

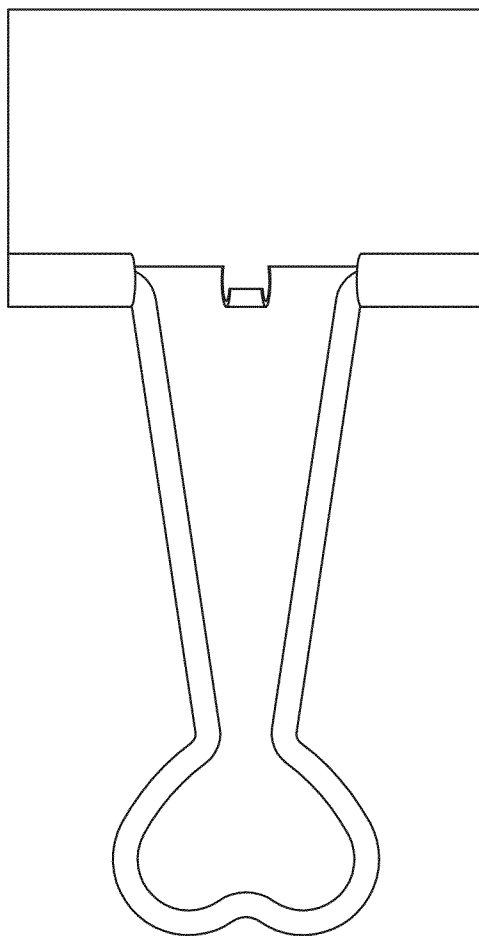


FIG. 5

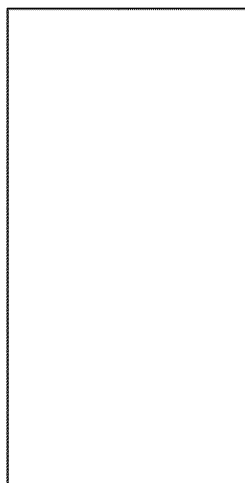


FIG. 6

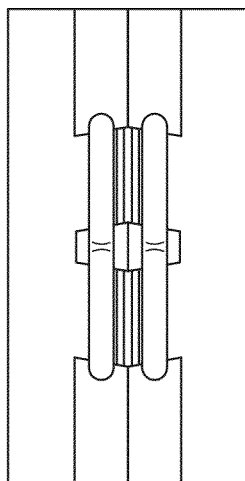


FIG. 7