

(19) World Intellectual Property Organization  
International Bureau



(43) International Publication Date  
25 October 2007 (25.10.2007)

PCT

(10) International Publication Number  
WO 2007/120917 A3

- (51) International Patent Classification:  
H04Q 7/22 (2006.01) H04Q 7/38 (2006.01)
- (21) International Application Number:  
PCT/US2007/009445
- (22) International Filing Date: 17 April 2007 (17.04.2007)
- (25) Filing Language: English
- (26) Publication Language: English
- (30) Priority Data:  
60/792,334 17 April 2006 (17.04.2006) US
- (71) Applicant (for all designated States except US):  
ROAMWARE, INC. [US/US]; 3031 Tisch Way, Suite 1000, San Jose, CA 95128 (US).
- (72) Inventor; and
- (75) Inventor/Applicant (for US only): JIANG, Yue, Jun [GB/US]; 4114 Sugar Maple Drive, Danville, CA 94506 (US).
- (74) Agent: CHESSER, Wilbum, L.; Arent Fox LLP, 1050 Connecticut Avenue N.W., Suite 400, Washington, DC 20036 (US).

- (81) Designated States (unless otherwise indicated, for every kind of national protection available): AE, AG, AL, AM, AT, AU, AZ, BA, BB, BG, BH, BR, BW, BY, BZ, CA, CH, CN, CO, CR, CU, CZ, DE, DK, DM, DZ, EC, EE, EG, ES, FI, GB, GD, GE, GH, GM, GT, HN, HR, HU, ID, IL, IN, IS, JP, KE, KG, KM, KN, KP, KR, KZ, LA, LC, LK, LR, LS, LT, LU, LY, MA, MD, ME, MG, MK, MN, MW, MX, MY, MZ, NA, NG, NI, NO, NZ, OM, PG, PH, PL, PT, RO, RS, RU, SC, SD, SE, SG, SK, SL, SM, SV, SY, TJ, TM, TN, TR, TT, TZ, UA, UG, US, UZ, VC, VN, ZA, ZM, ZW.
- (84) Designated States (unless otherwise indicated, for every kind of regional protection available): ARIPO (BW, GH, GM, KE, LS, MW, MZ, NA, SD, SL, SZ, TZ, UG, ZM, ZW), Eurasian (AM, AZ, BY, KG, KZ, MD, RU, TJ, TM), European (AT, BE, BG, CH, CY, CZ, DE, DK, EE, ES, FI, FR, GB, GR, HU, IE, IS, IT, LT, LU, LV, MC, MT, NL, PL, PT, RO, SE, SI, SK, TR), OAPI (BF, BJ, CF, CG, CI, CM, GA, GN, GQ, GW, ML, MR, NE, SN, TD, TG).

- Published:
  - with international search report
  - before the expiration of the time limit for amending the claims and to be republished in the event of receipt of amendments
- (88) Date of publication of the international search report:  
13 November 2008

(54) Title: METHOD AND SYSTEM USING IN-BAND APPROACH FOR PROVIDING VALUE ADDED SERVICES WITHOUT USING PREFIX

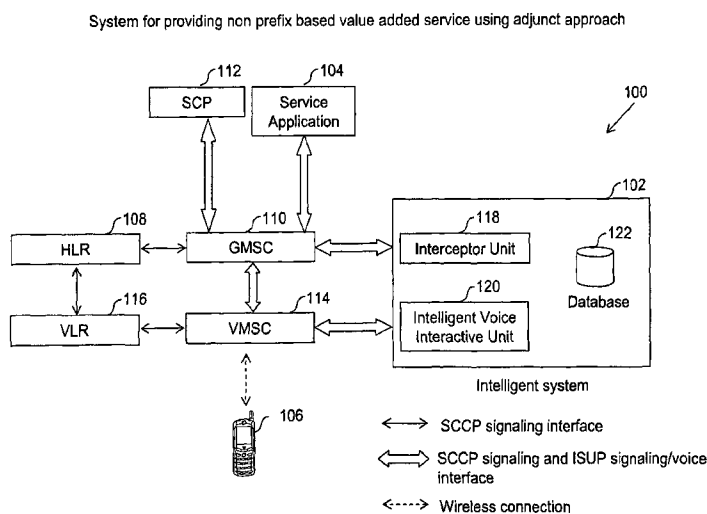


FIG. 1

(57) Abstract: The present invention proposes a method for providing value added services. The method includes intercepting a voice circuit, associated with a call from a subscriber (106) to a recipient, at an Interceptor unit (118), while the voice circuit is connected to a switch. The subscriber (106) calls a recipient's number without any prefix. The method, further, includes prompting the subscriber (106), by an intelligent voice (120) interactive unit (118), to make an indication of service selection over the voice circuit. The method further includes sending by the intelligent voice interactive unit, the indication of service selection to the Interceptor unit. The method further includes determining by the Interceptor unit (118), a service application using the indication of service selection. The service application is a value added service selected by the subscriber (106).

WO 2007/120917 A3

**INTERNATIONAL SEARCH REPORT**

International application No.

PCT/US07/09445

**A. CLASSIFICATION OF SUBJECT MATTER**  
 IPC: **H04Q 7/22 AND 7/38**

USPC: 455/414.1,419,461,466;379/93.23,142.05;704/275  
 According to International Patent Classification (IPC) or to both national classification and IPC

**B. FIELDS SEARCHED**

Minimum documentation searched (classification system followed by classification symbols)  
 U.S. : 455/414.1,419,461,466; 379/93.23,142.05;704/275

Documentation searched other than minimum documentation to the extent that such documents are included in the fields searched

Electronic data base consulted during the international search (name of data base and, where practicable, search terms used)


**C. DOCUMENTS CONSIDERED TO BE RELEVANT**

Category *	Citation of document, with indication, where appropriate, of the relevant passages	Relevant to claim No.
Y1, E	US 7,334,090 B2 (ZELLNER) 19 February 2008 (19.02.2008), column 2 lines 57-60, column 3 line 35, column 5 lines 46-47, abstract, figure 2.	1-6, 15-18, 20-23, 30-35 and 45-53
Y2, P	US 2006/0122840 A1 (ANDERSON et al) 08 June 2006 (08.06.2006), paragraphs 0002, 0017, 0026, 0038, 0047, abstract.	1-6, 15-23, 30-35 and 45-53
Y3, E	US 7,313,666 (SAMINDA DE SILVA et al) 25 December 2007 (25.12.2007), column 8 line 61 through column 9 line 30.	2-6
Y4	US 5,475,743 (NIXON et al) 12 December 1995 (12.12.1995), column 1 line 67, column 2 line 12 and abstract.	2-6 and 31-35
Y5	US 2003.0194077 A1 (RAMEY) 16 October 2003 (16.10.2003), paragraph 0020.	4 and 33
Y6	US 2008/0102869 A1 (SHAFFER et al) 01 May 2008 (01.05.2008), paragraph 0060 .	6 and 35
Y7	US 2003/0076934 A1 (ALBAL et al) 24 April 2003 (24.04.2003), paragraph 0062 and 0078.	15-23 and 45-53

Further documents are listed in the continuation of Box C.  See patent family annex.

* Special categories of cited documents:		
"A"	document defining the general state of the art which is not considered to be of particular relevance	"T" later document published after the international filing date or priority date and not in conflict with the application but cited to understand the principle or theory underlying the invention
"E"	earlier application or patent published on or after the international filing date	"X" document of particular relevance; the claimed invention cannot be considered novel or cannot be considered to involve an inventive step when the document is taken alone
"L"	document which may throw doubts on priority claim(s) or which is cited to establish the publication date of another citation or other special reason (as specified)	"Y" document of particular relevance; the claimed invention cannot be considered to involve an inventive step when the document is combined with one or more other such documents, such combination being obvious to a person skilled in the art
"O"	document referring to an oral disclosure, use, exhibition or other means	
"P"	document published prior to the international filing date but later than the priority date claimed	"&" document member of the same patent family

Date of the actual completion of the international search 11 August 2008 (11.08.2008)	Date of mailing of the international search report <b>10 SEP 2008</b>
--	--

Name and mailing address of the ISA/US Mail Stop PCT, Attn: ISA/US Commissioner for Patents P.O. Box 1450 Alexandria, Virginia 22313-1450 Facsimile No. (571) 273-3201	Authorized officer Inder Mehra  Telephone No. 703-304-4700
---	--

**INTERNATIONAL SEARCH REPORT**International application No.  
PCT/US07/09445**C (Continuation). DOCUMENTS CONSIDERED TO BE RELEVANT**

Category *	Citation of document, with indication, where appropriate, of the relevant passages	Relevant to claim No.
Y8,E	US 2007/0121834 A1 (MAMIYA et al) 31 May 2007 (31.05.2007), paragraph 0033 and abstract.	17 and 47
Y9, E	US 2008/0174439 A1 (WONG et al) 24 July 2008 (24.07.2008), paragraph 0038.	18 and 48
Y10	US 2005/0169453 A1 (KNOTT et al) 04 August 2005 (04.08.2005), paragraph 0031.	20 and 50

# INTERNATIONAL SEARCH REPORT

International application No.

PCT/US07/09445

## Box No. II Observations where certain claims were found unsearchable (Continuation of item 2 of first sheet)

This international search report has not been established in respect of certain claims under Article 17(2)(a) for the following reasons:

1.  Claims Nos.:  
because they relate to subject matter not required to be searched by this Authority, namely:
  
2.  Claims Nos.:  
because they relate to parts of the international application that do not comply with the prescribed requirements to such an extent that no meaningful international search can be carried out, specifically:
  
3.  Claims Nos.: 7-14,24-29 and 36-44 36-4  
because they are dependent claims and are not drafted in accordance with the second and third sentences of Rule 6.4(a).

## Box No. III Observations where unity of invention is lacking (Continuation of item 3 of first sheet)

This International Searching Authority found multiple inventions in this international application, as follows:

1.  As all required additional search fees were timely paid by the applicant, this international search report covers all searchable claims.
  2.  As all searchable claims could be searched without effort justifying additional fees, this Authority did not invite payment of any additional fees.
  3.  As only some of the required additional search fees were timely paid by the applicant, this international search report covers only those claims for which fees were paid, specifically claims Nos.:
  
  4.  No required additional search fees were timely paid by the applicant. Consequently, this international search report is restricted to the invention first mentioned in the claims; it is covered by claims Nos.:
- Remark on Protest**
- The additional search fees were accompanied by the applicant's protest and, where applicable, the payment of a protest fee.
  - The additional search fees were accompanied by the applicant's protest but the applicable protest fee was not paid within the time limit specified in the invitation.
  - No protest accompanied the payment of additional search fees.