



- (51) **International Patent Classification:**  
*H05B 41/392* (2006.01)    *H05B 37/02* (2006.01)
- (21) **International Application Number:**  
PCT/US2013/068905
- (22) **International Filing Date:**  
7 November 2013 (07.11.2013)
- (25) **Filing Language:** English
- (26) **Publication Language:** English
- (30) **Priority Data:**

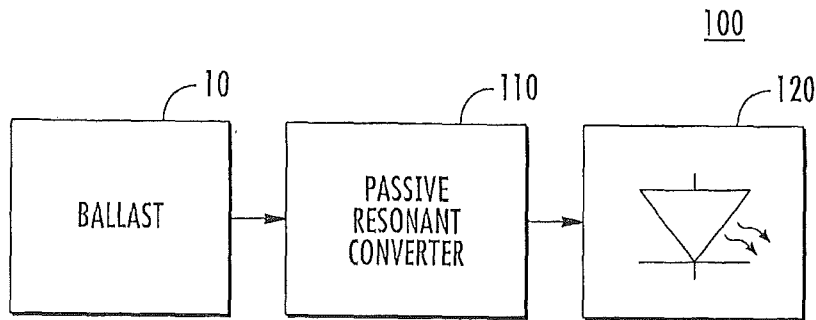
13/749,082	24 January 2013 (24.01.2013)	US
61/840,697	28 June 2013 (28.06.2013)	US
13/943,455	16 July 2013 (16.07.2013)	US
- (71) **Applicant:** CREE, INC. [US/US]; 4600 Silicon Drive, Durham, North Carolina 27703 (US).
- (72) **Inventors:** ZHANG, Jun; 100 Parkknoll Lane, Cary, North Carolina 27513 (US). MCBRYDE, James Andrew; 4305 Willow Lake Rd, Raleigh, North Carolina 27616 (US).
- (74) **Agent:** MEEKS, Robert, M.; MYERS BIGEL SIBLEY & SAJOVEC, PA, PO Box 37428, Raleigh, North Carolina 27627 (US).

- (81) **Designated States** (unless otherwise indicated, for every kind of national protection available): AE, AG, AL, AM, AO, AT, AU, AZ, BA, BB, BG, BH, BN, BR, BW, BY, BZ, CA, CH, CL, CN, CO, CR, CU, CZ, DE, DK, DM, DO, DZ, EC, EE, EG, ES, FI, GB, GD, GE, GH, GM, GT, HN, HR, HU, ID, IL, IN, IR, IS, JP, KE, KG, KN, KP, KR, KZ, LA, LC, LK, LR, LS, LT, LU, LY, MA, MD, ME, MG, MK, MN, MW, MX, MY, MZ, NA, NG, NI, NO, NZ, OM, PA, PE, PG, PH, PL, PT, QA, RO, RS, RU, RW, SA, SC, SD, SE, SG, SK, SL, SM, ST, SV, SY, TH, TJ, TM, TN, TR, TT, TZ, UA, UG, US, UZ, VC, VN, ZA, ZM, ZW.
- (84) **Designated States** (unless otherwise indicated, for every kind of regional protection available): ARIPO (BW, GH, GM, KE, LR, LS, MW, MZ, NA, RW, SD, SL, SZ, TZ, UG, ZM, ZW), Eurasian (AM, AZ, BY, KG, KZ, RU, TJ, TM), European (AL, AT, BE, BG, CH, CY, CZ, DE, DK, EE, ES, FI, FR, GB, GR, HR, HU, IE, IS, IT, LT, LU, LV, MC, MK, MT, NL, NO, PL, PT, RO, RS, SE, SI, SK, SM, TR), OAPI (BF, BJ, CF, CG, CI, CM, GA, GN, GQ, GW, KM, ML, MR, NE, SN, TD, TG).

**Published:**  
— with international search report (Art. 21(3))

WO 2014/116329 A1

(54) **Title:** LED LIGHTING APPARATUS FOR USE WITH AC-OUTPUT LIGHTING BALLASTS



(57) **Abstract:** An apparatus for interfacing a ballast to at least one light emitting diode (LED) includes a passive rectifier circuit and matching circuit coupled to an input port and/or an output port of the passive rectifier circuit and configured to at least partially match an impedance of the ballast.

## LED LIGHTING APPARATUS FOR USE WITH AC-OUTPUT LIGHTING BALLASTS

## CROSS-REFERENCE TO RELATED APPLICATIONS

[0001] The present application is a continuation-in-part of U.S. Patent Application Serial No. 13/749,082 entitled *LED LIGHTING APPARATUS FOR USE WITH AC-OUTPUT LIGHTING BALLASTS*, filed January 24, 2013 and claims priority to U.S. Provisional Application Serial No. 61/840,697, filed June 28, 2013, entitled "*LED LIGHTING APPARATUS FOR USE WITH AC-OUTPUT LIGHTING BALLASTS*".

## FIELD

[0002] The present inventive subject matter relates to lighting apparatus and methods and, more particularly, to solid-state lighting apparatus and methods.

## BACKGROUND

[0003] Solid-state lighting arrays are used for a number of lighting applications. A solid-state light emitting device may include, for example, a packaged light emitting device including one or more light emitting diodes (LEDs), which may include inorganic LEDs, which may include semiconductor layers forming p-n junctions and/or organic LEDs (OLEDs), which may include organic light emission layers.

[0004] Solid-state lighting devices are commonly used in lighting fixtures, including task lighting, recessed light fixtures, ceiling mounted troffers and the like. Solid-state lighting panels are also commonly used as backlights for small liquid crystal display (LCD) screens, such as LCD display screens used in portable electronic devices, and for larger displays, such as LCD television displays.

[0005] Solid-state lighting devices may be attractive for retrofit/replacement applications, where devices such as LEDs may offer improved energy efficiency, reduced heat generation, extended life and desired performance characteristics, such as certain color and/or color rendering capabilities. For example, LED bulbs are commonly used to replace incandescent bulbs in down lights and other applications to reduce energy consumption and increase time between replacements. LED-based replacements for fluorescent tubes have also been developed, as shown, for example, in U.S. Patent No. 6,936,968, U.S. Patent No. 7,507,001, and U.S. Patent Application Publication No. 2008/0266849, which describe various types of LED replacements for use in fluorescent light fixtures.

## SUMMARY

[0006] Some embodiments provide an apparatus for interfacing a ballast to at least one light emitting diode (LED). The apparatus includes a passive rectifier circuit and matching circuit coupled to the passive rectifier circuit and configured to at least partially match an impedance of the ballast. In some embodiments, the matching circuit may be configured to couple the at least one LED to the passive rectifier circuit. In some embodiments, the passive rectifier circuit may be configured to couple the at least one LED to the matching circuit. In further embodiments, the matching circuit may include components on input and output sides of the passive rectifier circuit.

[0007] According to some embodiments, the matching circuit includes at least one inductor and/or at least one capacitor. For example, the matching circuit may include at least one inductor coupled in series with an input of the passive rectifier circuit and/or an output of the passive rectifier circuit. In some embodiments, the matching circuit may include at least one capacitor coupled at an output of the passive rectifier circuit and/or at an input of the passive rectifier circuit.

[0008] In further embodiments, the apparatus may include a transformer configured to couple the passive rectifier circuit to the ballast. The matching circuit may include an inductance of the transformer. In some embodiments, the matching circuit may couple the transformer to the passive rectifier circuit. In further embodiments, the passive rectifier circuit may couple the transformer to the matching circuit.

[0009] Further embodiments provide a lighting apparatus including a passive rectifier circuit and matching circuit as described above in combination with at least one LED. The at least one LED may include a string of serially-connected LEDs. The at least one LED and at least a portion of the passive rectifier circuit and the matching circuit may be integrated in a lamp. The at least one LED may be included in a lamp and at least a portion of the passive rectifier circuit and the matching circuit may be included in an adapter configured to be coupled between the lamp and the ballast.

[0010] Some embodiments provide a lamp including an elongate housing, at least one electrical contact positioned proximate at least one of first and second ends of the housing and at least one light emitting diode (LED) positioned in the housing and configured to provide illumination. The lamp further includes an impedance matching passive rectifier circuit at least partially contained within the housing and coupled to the at least one LED and the at least one electrical contact. The housing may include first and second end caps

proximate respective ones of the first and second ends and the impedance matching passive rectifier circuit may be at least partially contained within at least one of the end caps. For example, the impedance matching passive rectifier circuit may include first and second portions contained within respective ones of the first and second end caps.

[0011] A substrate may be contained within the housing and the at least one LED may be mounted on the substrate. At least a portion of the impedance matching passive rectifier circuit may be mounted on the substrate. The substrate may include a flexible substrate.

[0012] In still further embodiments, an apparatus includes a housing and an impedance matching passive rectifier circuit supported by the housing configured to electrically couple a lamp comprising at least one LED to wiring of a fluorescent light fixture. The impedance matching passive rectifier circuit may be configured to be connected to at least one lamp tombstone connector of the fluorescent lighting fixture, and may include a passive rectifier circuit and a matching circuit coupled to the passive rectifier circuit and configured to at least partially match an impedance of a ballast of the fluorescent light fixture.

[0013] Some embodiments provide a lighting apparatus including at least one light emitting diode (LED) and a passive resonant converter circuit having an output coupled to the at least one LED and an input configured to be coupled to a ballast that produces an AC output, such as high-frequency electronic ballasts used to drive gas-discharge lamps (e.g., fluorescent tubes, sodium vapor lamps, mercury vapor lamps and the like). In some embodiments, the passive resonant converter circuit may include a combination of a passive rectifier circuit, such as a passive diode bridge, and a resonant circuit, such as a CL resonant circuit. An input of the passive rectifier circuit may be configured to be coupled to the ballast. The resonant circuit and the at least one LED may be coupled to an output of the passive rectifier circuit. The apparatus may further include at least one capacitor configured to be coupled in series between the ballast and the passive resonant converter circuit, to provide blocking of low-frequency currents.

[0014] In some embodiments, the at least one LED and at least a portion of the passive resonant converter circuit may be integrated in a lamp. The apparatus may further include an isolation transformer configured to be coupled between the passive resonant converter circuit and the ballast. In some embodiments, the at least one LED and the passive resonant converter may be components of a lamp replacement kit.

[0015] Further embodiments of the inventive subject matter provide a lamp including a housing, at least one electrical contact supported by the housing and configured to engage at

least one electrical contact in a lamp connector, at least one light emitting diode (LED) positioned in the housing, and a resonant circuit positioned in the housing and coupled to the at least one LED and to the at least one electrical contact. The lamp may further include a passive resonant converter circuit positioned in the housing and having an input coupled to the at least one electrical contact and an output coupled to the at least one LED, wherein the passive resonant converter circuit may include a combination of a passive rectifier circuit and the resonant circuit.

[0016] In some embodiments, an input of the passive rectifier circuit may be coupled to the at least one contact and the resonant circuit and the at least one LED may be coupled to an output of the passive rectifier circuit. The resonant circuit may include a resonant CL circuit including at least one inductor and at least one capacitor. The resonant CL circuit may include at least one inductor coupled in series with the at least one LED and at least one capacitor coupled in parallel with the at least one inductor and the at least one LED.

[0017] Still further embodiments of the inventive subject matter provide an apparatus including an output configured to be coupled to at least one LED, an input configured to be coupled to a ballast that produces an AC output, and a passive resonant converter circuit coupled to the input and to the output. The passive resonant converter circuit may include a combination of a passive rectifier circuit and a resonant circuit. In some embodiments, at least a portion of the passive resonant converter circuit may be packaged in a module configured to be electrically connected between the ballast and a lamp connector. In further embodiments, at least a portion of the passive resonant converter circuit may be packaged in a lamp including the at least one LED.

#### BRIEF DESCRIPTION OF THE DRAWINGS

[0018] The accompanying drawings, which are included to provide a further understanding of the inventive subject matter and are incorporated in and constitute a part of this application, illustrate certain embodiment(s) of the inventive subject matter. In the drawings:

[0019] Figure 1 is a schematic diagram illustrating a lighting apparatus according to some embodiments;

[0020] Figure 2 is a schematic diagram illustrating a lighting apparatus according to further embodiments;

[0021] Figure 3 is a schematic diagram illustrating a passive resonant converter circuit according to some embodiments;

[0022] Figure 4 is a schematic diagram illustrating a lighting apparatus used with a first type of fluorescent lamp ballast according to some embodiments;

[0023] Figure 5 is a schematic diagram illustrating a lighting apparatus used with a second type of fluorescent lamp ballast according to further embodiments;

[0024] Figure 6 is a schematic diagram illustrating a lighting apparatus with snubber protection according to further embodiments;

[0025] Figure 7 is a schematic diagram illustrating a galvanic isolation of a lighting apparatus according to some embodiments;

[0026] Figure 8 illustrates a lamp according to some embodiments;

[0027] Figure 9 illustrates a physical arrangement for the lamp of Figure 8;

[0028] Figures 10-12 fluorescent lamp replacement arrangements according to various embodiments;

[0029] Figure 13 illustrates a lamp for high intensity discharge (HID) lighting applications according to some embodiments;

[0030] Figure 14 illustrates an LED lamp according to some embodiments;

[0031] Figure 15 illustrates an interface apparatus according to some embodiments;

[0032] Figure 16 illustrates an interface apparatus including a rectifier circuit and matching network according to some embodiments;

[0033] Figures 17-20 illustrate lighting interface apparatus with various arrangements of LC impedance matching networks and passive rectifier circuits according to some embodiments;

[0034] Figures 21 and 22 illustrate interface apparatus using matching networks including inductors according some embodiments;

[0035] Figures 23 and 24 illustrate interface apparatus using matching networks including capacitors according some embodiments;

[0036] Figures 25-35 illustrate interface apparatus with isolation transformers according to further embodiments;

[0037] Figures 36 and 37 illustrate lamps using interface circuitry contained within one or more end caps according to some embodiments; and

[0038] Figure 38 illustrates a lamp connector adapter with interface circuitry according to further embodiments.

## DETAILED DESCRIPTION

[0039] Embodiments of the present inventive subject matter now will be described more fully hereinafter with reference to the accompanying drawings, in which embodiments of the inventive subject matter are shown. This inventive subject matter may, however, be embodied in many different forms and should not be construed as limited to the embodiments set forth herein. Rather, these embodiments are provided so that this disclosure will be thorough and complete, and will fully convey the scope of the inventive subject matter to those skilled in the art. Like numbers refer to like elements throughout.

[0040] It will be understood that, although the terms first, second, etc. may be used herein to describe various elements, these elements should not be limited by these terms. These terms are only used to distinguish one element from another. For example, a first element could be termed a second element, and, similarly, a second element could be termed a first element, without departing from the scope of the present inventive subject matter. As used herein, the term "and/or" includes any and all combinations of one or more of the associated listed items.

[0041] It will be understood that when an element is referred to as being "connected" or "coupled" to another element, it can be directly connected or coupled to the other element or intervening elements may be present. In contrast, when an element is referred to as being "directly connected" or "directly coupled" to another element, there are no intervening elements present. It will be further understood that elements "coupled in series" or "serially connected" may be directly coupled or may be coupled via intervening elements.

[0042] It will be understood that when an element or layer is referred to as being "on" another element or layer, the element or layer can be directly on another element or layer or intervening elements or layers may also be present. In contrast, when an element is referred to as being "directly on" another element or layer, there are no intervening elements or layers present. As used herein, the term "and/or" includes any and all combinations of one or more of the associated listed items.

[0043] Spatially relative terms, such as "below", "beneath", "lower", "above", "upper", and the like, may be used herein for ease of description to describe one element or feature's relationship to another element(s) or feature(s) as illustrated in the figures. It will be understood that the spatially relative terms are intended to encompass different orientations of

the device in use or operation, in addition to the orientation depicted in the figures. Throughout the specification, like reference numerals in the drawings denote like elements.

[0044] Embodiments of the inventive subject matter are described herein with reference to plan and perspective illustrations that are schematic illustrations of idealized embodiments of the inventive subject matter. As such, variations from the shapes of the illustrations as a result, for example, of manufacturing techniques and/or tolerances, are to be expected. Thus, the inventive subject matter should not be construed as limited to the particular shapes of objects illustrated herein, but should include deviations in shapes that result, for example, from manufacturing. Thus, the objects illustrated in the figures are schematic in nature and their shapes are not intended to illustrate the actual shape of a device and are not intended to limit the scope of the inventive subject matter.

[0045] The terminology used herein is for the purpose of describing particular embodiments only and is not intended to be limiting of the present inventive subject matter. As used herein, the singular forms "a", "an" and "the" are intended to include the plural forms as well, unless the context clearly indicates otherwise. It will be further understood that the terms "comprises" "comprising," "includes" and/or "including" when used herein, specify the presence of stated features, integers, steps, operations, elements, and/or components, but do not preclude the presence or addition of one or more other features, integers, steps, operations, elements, components, and/or groups thereof.

[0046] Unless otherwise defined, all terms (including technical and scientific terms) used herein have the same meaning as commonly understood by one of ordinary skill in the art to which this present inventive subject matter belongs. It will be further understood that terms used herein should be interpreted as having a meaning that is consistent with their meaning in the context of this specification and the relevant art and will not be interpreted in an idealized or overly formal sense unless expressly so defined herein. The term "plurality" is used herein to refer to two or more of the referenced item.

[0047] The expression "lighting apparatus", as used herein, is not limited, except that it indicates that the device is capable of emitting light. That is, a lighting apparatus can be a device which illuminates an area or volume, *e.g.*, a structure, a swimming pool or spa, a room, a warehouse, an indicator, a road, a parking lot, a vehicle, signage, *e.g.*, road signs, a billboard, a ship, a toy, a mirror, a vessel, an electronic device, a boat, an aircraft, a stadium, a computer, a remote audio device, a remote video device, a cell phone, a tree, a window, an LCD display, a cave, a tunnel, a yard, a lamppost, or a device or array of devices that

illuminate an enclosure, or a device that is used for edge or back-lighting (*e.g.*, back light poster, signage, LCD displays), bulb replacements (*e.g.*, for replacing AC incandescent lights, low voltage lights, fluorescent lights, etc.), lights used for outdoor lighting, lights used for security lighting, lights used for exterior residential lighting (wall mounts, post/column mounts), ceiling fixtures/wall sconces, under cabinet lighting, lamps (floor and/or table and/or desk), landscape lighting, track lighting, task lighting, specialty lighting, ceiling fan lighting, archival/art display lighting, high vibration/impact lighting, work lights, etc., mirrors/vanity lighting, or any other light emitting device. The present inventive subject matter may further relate to an illuminated enclosure (the volume of which can be illuminated uniformly or non-uniformly), comprising an enclosed space and at least one lighting apparatus according to the present inventive subject matter, wherein the lighting apparatus illuminates at least a portion of the enclosed space (uniformly or non-uniformly).

[0048] Figure 1 illustrates a lighting apparatus 100 according to some embodiments of the inventive subject matter. The apparatus 100 includes at least one solid-state lighting device, here illustrated as at least one light emitting diode (LED) 120, which is configured to provide illumination in a light fixture or other configuration. The apparatus 100 further includes a passive resonant converter circuit 110, which has an input configured to be coupled to a lamp ballast 10, such as an electronic ballast as may be used in a fluorescent or other gas-discharge lighting device. For example, the ballast 10 may be one included in an existing fluorescent lighting fixture that is being retrofitted to use the at least one LED 120 as a replacement for at least one fluorescent tube or compact fluorescent lamp (CFL). The passive resonant converter circuit 110 has an output coupled to the at least one LED 120. In various embodiments, for example, the passive resonant converter circuit 110 may be a passive resonant rectifier configured to provide a rectified and filtered AC current through the at least one LED 120 from a high-frequency AC input generated by the ballast 10. The passive resonant converter circuit 110 may be configured to provide current to the at least one LED 120 without performing voltage or current regulation, unlike, for example, an active DC power supply. In some embodiments, the passive resonant converter circuit 110 may be configured to substantially match an output impedance of the ballast 10, thus providing a relatively efficient power transfer and control of power transfer between the ballast 10 and the at least one LED 120. Generally, the current through the at least one LED 120 is a function of the inductance, capacitance and the LED voltage, with the power delivered to the LED being a function of the LED current and voltage.

[0049] Referring to Figure 2, a passive resonant converter circuit may comprise a passive resonant rectifier circuit including a combination of a passive rectifier circuit 210 and a resonant circuit 220. As shown in Figure 2, an input of the passive rectifier circuit 210 may be coupled to a lamp ballast 10, and an input of the resonant circuit 220 may be coupled to an output of the passive rectifier circuit 210. At least one LED 230 may be coupled to an output of the resonant circuit 220. In some embodiments, the arrangement of the rectifier circuit 110 and the resonant circuit 220 may be reversed, *i.e.*, the resonant circuit 220 may be connected to a ballast 10, with the rectifier circuit 210 being connected between the resonant circuit 220 and the at least one LED 230. In some embodiments, the ballast 10 may be an electronic ballast including a resonant AC/AC power supply of the type commonly used in fluorescent, high intensity discharge (HID) and other gas discharge lighting application. The resonant circuit 220 may be configured to provide impedance matching for an output of the ballast 10, which may include, for example, a resonant LC output circuit.

[0050] Figure 3 illustrates an implementation of a passive resonant converter 300 according to some embodiments. The converter 300 includes a passive diode bridge full-wave rectifier circuit 310 including diodes D1, D2, D3, D4. A first port of the rectifier circuit 210 is configured to be coupled to a lamp ballast. A second port of the rectifier circuit 310 is coupled to an input port of a resonant circuit 320. As shown, the resonant circuit 320 includes a CL filter circuit including a capacitor C and an inductor L connected in a parallel/series arrangement. An output port of the resonant circuit 320 is configured to be coupled to at least one LED, for example, a string of serially connected LEDs. It will be appreciated that the rectifier circuit 310 and/or the resonant circuit 320 may take other forms. For example, the resonant circuit 320 may comprise other types of resonant circuits, such as series resonant circuits or other arrangements. In some embodiments, the resonant circuit 320 may be configured to provide impedance matching with a resonant tank output circuit in the ballast.

[0051] Figure 4 illustrates an example of implementation of a lighting apparatus 400 according to some embodiments with an electronic ballast 10 of a type commonly used in fluorescent lighting fixtures. As shown, the ballast 10 comprises an oscillator circuit having a series resonant output circuit including a capacitor C1 and an inductor L1. The lighting apparatus 400 includes a passive diode bridge full wave rectifier circuit 410 including diodes D1, D2, D3, D4, which is configured to be coupled to the ballast 10. A resonant parallel/series CL circuit 420 including a capacitor C2 and an inductor L2 is coupled to an

output of the rectifier circuit 410. An LED lighting assembly 430 including a plurality of serially and parallel connected LEDs is coupled to the resonant circuit 420. Unlike low-pass LC filters in which an inductor is coupled in series with a parallel combination of a capacitor and the load, the resonant circuit 420 is in the form of a CL filter, with the capacitor C in parallel with the output of the rectifier 410 and the inductor L2 in series with the LED assembly 430. The CL form for the resonant circuit 420 may be particularly advantageous because the ballast 10 may have a relatively high source impedance, while the LED assembly 430 may present a relatively low load impedance. Placing the capacitor C between the inductor L2 and the ballast 10 can reduce voltage oscillations and provide additional impedance control.

[0052] As further shown in Figure 4, a blocking capacitor  $C_B$  may be connected between the diode bridge and the ballast 10. The blocking capacitor  $C_B$  may be used to block lower-frequency AC currents which may be undesirable for the operation of the LED assembly 430. Such a blocking capacitor may also be useful, for example, to prevent use of the lighting apparatus 400 with an older non-electronic ballast that produces a relatively low frequency (*e.g.*, 50/60 Hz) output instead of the significantly higher frequency outputs produced by typical electronic ballasts, which may be more suitable for driving LEDs.

[0053] Figure 5 illustrates another lighting apparatus 500 interfaced with another type of electronic ballast 10, which uses a half-bridge output circuit that drives a load through a resonant circuit including an inductor L1 and a capacitor C1 and a resistor R1. The lighting apparatus 500 includes a passive diode bridge rectifier circuit 510 including diodes D1, D2, D3, D4. A resonant circuit 520 including a parallel capacitor C2 and a series inductor L2 couples the rectifier circuit 510 to an LED assembly 530, here shown as a serial string of LEDs. As shown, the apparatus 500 may also include a blocking capacitor  $C_B$ , which may function as described above with reference Figure 4.

[0054] In certain applications, such as in replacement lamp applications in fluorescent troffer-type fixtures, wires leading from the ballast may provide significant inductance, which may lead to undesirable voltages being generated at the input of lighting circuitry configured as described above. According to some embodiments, as shown in Figure 6, a lighting apparatus 600 may include a rectifier circuit 510 and a resonant circuit 520 that drive an LED assembly 530 along the lines of the circuitry shown in Figure 5, with the addition of a snubber circuit 512, including a resistor R3, a capacitor C3 and a capacitor C4. The snubber

circuit 512 may limit voltage developed across the input of the rectifier circuit 510 due to the inductance  $L$  of the wires that couple the apparatus 600 to a ballast.

[0055] Galvanic isolation may also be provided. For example, as shown in Figure 7, a lighting apparatus 700 may include a diode bridge rectifier circuit 510, an CL resonant circuit 520 coupled to an output of the rectifier circuit 510, and an LED assembly 530 including a string of LEDs, which may operate as described above. The input of the rectifier circuit 510 is coupled to a ballast using an isolating transformer T1. In particular, a secondary winding of the transformer T1 may be coupled to the input of the diode bridge rectifier circuit 510, and a primary winding of the transformer T1 may be coupled to the output of a ballast.

[0056] Embodiments of the inventive subject matter may be arranged in a number of different physical forms. These forms may include, but are not limited to, complete lighting apparatus, replacement lamps, lamp replacement sets (or kits) and/or modules or other circuit assemblies for lamp replacement applications. Replacement lamps may be, for example, plug-in or screw-in replacements for conventional fluorescent tubes, CFLs or other types of lamps that use ballasts that produce AC outputs, such as HID lamps. Lamp replacement kits or sets may include, for example, one or more lamps configured to be plugged or screwed into one or more existing lamp connectors (*e.g.*, screw-in or plug-in sockets, clamps or other electrical connectors), along with circuit modules that are configured to interface the fixture connectors to a ballast using, for example, spliced connections in existing wiring and/or replacement wiring harnesses or sets.

[0057] For example, Figure 8 illustrates an LED-based replacement lamp 800 for fluorescent tube lamp replacement. The replacement lamp 800 includes an at least partially translucent housing 810. At least one LED 830 is positioned in the housing 810 and configured to provide illumination through at least one translucent portion of the housing 810. The at least one LED 830 is coupled to an output of a passive resonant converter circuit 820, which may have a form along the lines discussed above. An input of the passive resonant converter circuit 820 is coupled to at least one external contact of the lamp 800, here shown as at least one of pins 811 configured to mate with contacts of lamp sockets 12. The contacts of the lamp socket 812 are coupled to a ballast, *e.g.*, a ballast originally used to drive a conventional fluorescent tube. Figure 9 illustrates an example of an internal physical layout of the replacement tube 800, including the passive resonant converter circuit 820 and LEDs 830 supported on a substrate 840, *e.g.*, a printed circuit board and/or other supporting

structure that provides mechanical support and that facilitates electrical interconnection of these components using, for example, circuit traces and/or wires. In some embodiments in which the lamp 800 is for use in a fluorescent fixture designed for use with fluorescent lamps with multiple pins (e.g., a tube with two pins on each end), the passive resonant converter circuit 820 may be connected to only some of the pins (e.g., one on each end of the tube), with one or more of the other pins being dummy pins that provide mechanical support and/or alignment but are not used for electrical contact.

[0058] According to further embodiments, a lamp may be configured to include a portion of a passive resonant converter circuit, with other portions of the passive resonant converter circuit positioned outside of the lamp and connected thereto via wiring, such that the lamp and external circuitry serve as a lamp replacement set or kit. For example, Figure 10 illustrates a lamp 1000 including at least one LED 1030 and a resonant circuit 1020 (e.g., a resonant CL circuit as described above with reference to Figures 3-7) positioned in an at least partially translucent housing 1040. The lamp 1000 is coupled to an external passive rectifier circuit 1010, which may take the form, for example, of a module that may be spliced into existing wiring or otherwise electrically connected to a ballast 10 and lamp sockets 12 in a fluorescent lighting fixture.

[0059] As shown in Figure 11, a lamp replacement set or kit may include a lamp 1100 which is configured to be connected to lamp sockets 12 and which includes at least one LED 1130 coupled to a passive rectifier circuit 1120 inside a lamp housing 1140. An external resonant circuit 1110 may be coupled to the lamp 1100 via the sockets 12, and may comprise, for example, a module configured to be spliced into existing wiring or otherwise connected between a ballast 10 and the lamp sockets 12.

[0060] In still further embodiments illustrated in Figure 12, a lamp replacement set or kit may include a lamp 1200 including at least one LED 1230 positioned in a lamp housing 1240. The at least one LED 1230 may be coupled to a passive resonant converter circuit 1210 along the lines described above via lamp sockets 12. The passive resonant converter circuit 1210 may be configured, for example, as a module configured to be spliced into existing wiring or otherwise connected between a ballast 10 and the lamp sockets 12.

[0061] As noted above, some embodiments of the inventive subject matter are applicable to other types of ballast-driven lighting devices, including gas-discharge lamp devices such as HID devices (e.g., mercury vapor, metal halide, sodium vapor, xenon arc, etc.), low pressure sodium devices and CFLs. For example, Figure 13 illustrates an LED

replacement lamp for HID lamp devices. The lamp 1300 includes at least one LED 1320 coupled to a passive resonant converter circuit 1310 housed within an at least partially translucent housing 1340. The passive resonant converter circuit 1310 is configured to be coupled to an external ballast via a screw-type base 1330. It will be appreciated that portions of the passive resonant converter circuit could also be positioned external to the lamp 1300, *e.g.*, in one or more modules configured to be connected between the lamp base 1330 and the ballast, in ways analogous to those described above with reference to Figures 10-12.

[0062] In some embodiments, a passive resonant converter circuit along the lines discussed above may be packaged with an AC/AC converter circuit in a lamp or other lighting assembly. For example, as shown in Figure 14, an AC/AC converter circuit 1410, passive resonant converter circuit 1420 and one or more LED's 1430 may be integrated in a housing 1450 of a lamp 1400 and configured to be coupled to an AC power source through a screw-type base 1440 or via some other electrical connector. The AC/AC converter circuit 1410 may take the form of the ballast circuits 10 shown, for example, in Figures 4-5.

[0063] As noted above, apparatus for interfacing one or more LEDs to a ballast may take many different forms. As shown in Figure 15, for example, a lighting apparatus may include one or more LEDs 20 interfaced to a ballast 10 using an impedance matching rectifier circuit 1510 that includes a combination of a rectifier and an impedance matching circuit, such as the resonant circuits discussed above, that substantially matches an impedance of the ballast 10 such that power transfer between the ballast 10 and the one or more LED's is maximized. Such a circuit may also reduce ripple current in the LED load. As shown in Figure 16, such an impedance-matching rectifier circuit may include, for example, a rectifier circuit 1612 and a matching network 1614 that may include components on one or both of the input and output sides of the rectifier circuit 1612.

[0064] An example of such circuitry is shown in Figure 3, described above. A variety of other arrangements may be used in various other embodiments. As shown in Figure 17, for example, circuitry for interfacing a ballast 10 to one or more LEDs 20 may include a full-wave bridge diode rectifier circuit 1712 having an input configured to be coupled to the ballast 10 and an output coupled to a resonant matching circuit 1714 including an inductor L and capacitor C. In further embodiments illustrated in Figure 18, interface circuitry may include a similar matching circuit 1814 rearranged to the input side of a

rectifier circuit 1812. As shown in Figures 19 and 20, components of matching circuits 1914, 2014 may be distributed on both sides of rectifier circuits 1912, 2012.

[0065] In some embodiments, a lesser number of matching circuitry components may be provided. For example, as shown in Figures 21 and 22, matching circuitry 2114, 2214 may include one or more inductors L arranged on input and/or output sides of a rectifier circuit 2112, 2212. Such arrangements may be used, for example, where the one or more LEDs 20 may include an associated capacitance that, in conjunction with the one or more inductors L, provides similar functionality to the resonant matching circuits described above. Similarly, as shown in Figures 23 and 24, matching circuitry 2314, 2414 may be limited to one or more capacitors C arranged on input and/or output sides of a rectifier circuit 2312, 2412.

[0066] As also discussed above, interface circuitry may provide galvanic isolation and voltage transformation using a transformer, which may also provide inductance for impedance matching. For example, Figures 25-32 illustrate interface circuitry including various arrangements of a rectifier circuit 2512, 2612, 2712, 2812, 2912, 3012, 3112, 3212, a transformer 2516, 2616, 2716, 2816, 2916, 3016, 3116, 3216 and an impedance matching circuit 2514, 2614, 2714, 2814, 2914, 3014, 3114, 3214 with at least one inductor L and at least one capacitor C arranged on various sides of the rectifier circuit 2512, 2612, 2712, 2812, 2912, 3012, 3112, 3212. It will be appreciated that inductance (*e.g.*, the leakage inductance) of the transformer 2516, 2616, 2716, 2816, 2916, 3016, 3116, 3216 may serve as part of the inductance of the impedance matching circuit 2514, 2614, 2714, 2814, 2914, 3014, 3114, 3214. As shown in Figures 33 and 34, if a transformer 3316, 3416 of interface circuitry is designed to provide appropriate inductance, additional inductors may be eliminated, such that, for example, an impedance matching circuit 3314, 3414 is provided by the transformer 3316, 3416 and one or more capacitors C arranged on input and/or output sides of a rectifier circuit 3312, 3412. As shown in Figure 35, in some embodiments, the one or more capacitors may be omitted, and an impedance matching circuit may be provided by a transformer 3516 coupled to a rectifier circuit 3512.

[0067] It will be understood that, in general, any of a variety of different impedance matching circuits may be used, including other resonant circuits, such as higher order LC circuits including different combinations of inductors and capacitors. The nature of such circuitry may depend, for example, on the nature of the impedance of the ballast driving the lighting circuit.

[0068] As further discussed above, embodiments of the inventive subject matter may have any of a variety of different physical arrangements. Figure 36 illustrates a lamp 3600 including a substrate 3630 having LEDs 3640 mounted thereon. Components 3650 of an interface circuit along the lines described above, *e.g.*, any of the various interface circuits described above with reference to Figures 15-35, may be positioned within the lamp 3600, such as contained within one or both non-translucent end caps 3620 of the lamp 3600, such that these components do not obscure light emission from the LEDs 3640. As shown in Figure 37, a lamp 3700 may include including a substrate 3730 having LEDs 3740 mounted thereon, with components 3750 of an interface circuit mounted on a substrate 3760 underlying one or more end caps 3720 of the lamp 3700. It will be appreciated that other arrangement may be used, such as arrangements in which interface circuit components are interspersed among LEDs on a substrate in a manner that avoids significant light obstruction. For example, in a tube lamp implementation, LEDs may be mounted on an outer surface of a rigid cylindrical substrate or a flexible substrate configured to be formed into a tube-like shape, and interface circuit components may be contained within the inner volume defined by the substrate.

[0069] In further embodiments, interface circuitry along the lines described above may be located in an adapter that is configured to mechanically interface an LED lighting assembly to a lamp connector. For example, Figure 38 illustrates lamp connector adapter 3800 according to some embodiments. The adapter 3800 is configured to be connected to a lamp connector, such as a fluorescent tube "tombstone" connector 30. Interface circuitry, such as the various interface circuits described above with reference to Figures 15-35, may be housed in the adapter 3800. The adapter 3800 may include a connector 3810 configured to connected to an external LED assembly. One or more such adapters may be used, for example, to convert a fluorescent tube-type troffer or other lighting device for use with an LED assembly having a form factor, such as a strip, that is different from the tubular form of a fluorescent tube. Example embodiments of a lamp suitable for use as an LED based lamp in a fluorescent lighting system are described in a related application entitled "LED LAMP" by Medendorp et al., Attorney Docket No. 025736.000539, filed concurrently with this application, the disclosure of which is incorporated by reference in its entirety.

[0070] In the drawings and specification, there have been disclosed typical embodiments of the inventive subject matter and, although specific terms are employed, they are used in a generic and descriptive sense only and not for purposes of limitation, the scope

of the inventive subject matter being set forth in the following claims.

## WHAT IS CLAIMED IS:

1. An apparatus for interfacing a ballast to at least one light emitting diode (LED), the apparatus comprising:
  - a passive rectifier circuit; and
  - a matching circuit coupled at an input port and/or an output port of the passive rectifier circuit and configured to at least partially match an impedance of the ballast.
2. The apparatus of claim 1, wherein the matching circuit is configured to couple the at least one LED to the passive rectifier circuit.
3. The apparatus of claim 1, wherein the passive rectifier circuit is configured to couple the at least one LED to the matching circuit.
4. The apparatus of claim 1, wherein the matching circuit comprises components on input and output sides of the passive rectifier circuit.
5. The apparatus of claim 1, wherein the matching circuit comprises at least one inductor and/or at least one capacitor.
6. The apparatus of claim 1, wherein the matching circuit comprises at least one inductor coupled in series with an input of the passive rectifier circuit and/or an output of the passive rectifier circuit.
7. The apparatus of claim 1, wherein the matching circuit comprises at least one capacitor coupled at an output of the passive rectifier circuit and/or at an input of the passive rectifier circuit.
8. The apparatus of claim 1, further comprising a transformer configured to couple the passive rectifier circuit to the ballast.
9. The apparatus of claim 8, wherein the matching circuit comprises an inductance of the transformer.

10. The apparatus of claim 9, wherein the matching circuit comprises at least one capacitor coupled across an input of the passive rectifier circuit and/or across an output of the passive rectifier circuit.

11. The apparatus of claim 8, wherein the matching circuit couples the transformer to the passive rectifier circuit.

12. The apparatus of claim 8, wherein the passive rectifier circuit couples the transformer to the matching circuit.

13. The apparatus of claim 8, wherein the matching circuit comprises components on input and output sides of the passive rectifier circuit.

14. A lighting apparatus comprising the apparatus of claim 1 and the at least one LED.

15. The apparatus of claim 14, wherein the at least one LED comprises a string of serially-connected LEDs.

16. The apparatus of claim 14, wherein the at least one LED and at least a portion of the passive rectifier circuit and the matching circuit are integrated in a lamp.

17. The apparatus of claim 14, wherein the at least one LED is included in a lamp and wherein at least a portion of the passive rectifier circuit and the matching circuit is included in a adapter configured to be coupled between the lamp and the ballast.

18. A lamp replacement kit comprising the apparatus of claim 1.

19. A lamp comprising:  
an elongate housing;  
at least one electrical contact positioned proximate at least one of first and second ends of the housing;  
at least one light emitting diode (LED) positioned in the housing and configured to provide illumination through at least one translucent portion of the housing between the first and second ends; and  
an impedance matching passive rectifier circuit at least partially contained within the housing and coupled to the at least one LED and the at least one electrical contact.

20. The lamp of claim 19, wherein the housing comprises first and second end caps proximate respective ones of the first and second ends and wherein the impedance matching passive rectifier circuit is at least partially contained within at least one of the end caps.

21. The lamp of claim 20, wherein the impedance matching passive rectifier circuit comprises first and second portions contained within respective ones of the first and second end caps.

22. The lamp of claim 20, further comprising a substrate contained within the housing and wherein the at least one LED is mounted on the substrate.

23. The lamp of claim 22, wherein at least a portion of the impedance matching passive rectifier circuit is mounted on the substrate.

24. The lamp of claim 23, wherein the substrate comprises a flexible substrate.

25. An apparatus comprising:  
a housing; and  
an impedance matching passive rectifier circuit supported by the housing configured to electrically couple a lamp comprising at least one LED to wiring of a fluorescent light fixture.

26. The apparatus of claim 25, wherein the impedance matching passive rectifier circuit is configured to be connected to at least one lamp tombstone connector of the fluorescent lighting fixture.

27. The apparatus of claim 25, wherein the impedance matching rectifier circuit comprises:

a passive rectifier circuit; and  
a matching circuit coupled to the passive rectifier circuit and configured to at least partially match an impedance of a ballast of the fluorescent light fixture.

28. A lighting apparatus comprising:  
at least one light emitting diode (LED); and  
a passive resonant converter circuit having an output coupled to the at least one LED and an input configured to be coupled to a ballast that produces an AC output.

29. The lighting apparatus of claim 28, wherein the passive resonant converter circuit provides no active voltage or current regulation.

30. The lighting apparatus of claim 28, wherein the passive resonant converter circuit comprises a combination of a passive rectifier circuit and a resonant circuit.

31. The lighting apparatus of claim 30, wherein an input of the passive rectifier circuit is configured to be coupled to the ballast and wherein the resonant circuit and the at least one LED are coupled to an output of the passive rectifier circuit.

32. The lighting apparatus of claim 31, wherein the resonant circuit comprises at least one inductor.

33. The lighting apparatus of claim 32, wherein the resonant circuit comprises a resonant CL circuit comprising at least one inductor and at least one capacitor.

34. The lighting apparatus of claim 33, wherein the resonant CL circuit comprises at least one inductor coupled in series with the at least one LED and at least one capacitor coupled in parallel with the at least one inductor and the at least one LED.

35. The lighting apparatus of claim 28, wherein the at least one LED comprises a string of serially-connected LEDs.

36. The lighting apparatus of claim 28, further comprising at least one capacitor configured to be coupled in series between the ballast and the passive resonant converter circuit.

37. The lighting apparatus of claim 28, wherein the at least one LED and at least a portion of the passive resonant converter circuit are integrated in a lamp.

38. The lighting apparatus of claim 28, further comprising an isolation transformer configured to be coupled between the passive resonant converter circuit and the ballast.

39. A lamp replacement kit comprising the lighting apparatus of claim 28.

40. The lamp replacement kit of claim 39 comprising a lamp configured to be coupled to a lamp connector, wherein the at least one LED is positioned in the lamp.

41. The lamp replacement kit of claim 40, wherein at least a portion of the converter circuit is positioned in the lamp.

42. A lamp comprising:

a housing;

at least one electrical contact supported by the housing and configured to engage at least one electrical contact in a lamp connector;

at least one light emitting diode (LED) positioned in the housing and configured to provide illumination through at least one translucent portion of the housing; and

a resonant circuit positioned in the housing and coupled to the at least one LED and to the at least one electrical contact.

43. The lamp of Claim 42, comprising a passive resonant converter circuit positioned in the housing and having an input coupled to the at least one electrical contact and an output coupled to the at least one LED, the passive resonant converter circuit comprising a combination of a passive rectifier circuit and the resonant circuit.

44. The lamp of claim 43, further comprising an AC/AC converter circuit positioned in the housing, having an input coupled to the at least one electrical contact and an output coupled to the passive resonant converter circuit.

45. The lamp of claim 43, wherein the passive resonant converter circuit provides no active voltage or current regulation.

46. The lamp of claim 43, wherein an input of the passive rectifier circuit is coupled to the at least one contact and wherein the resonant circuit and the at least one LED are coupled to an output of the passive rectifier circuit.

47. The lamp of claim 46, wherein the resonant circuit comprises a resonant CL circuit comprising at least one inductor and at least one capacitor.

48. The lamp of claim 47, wherein the resonant CL circuit comprises at least one inductor coupled in series with the at least one LED and at least one capacitor coupled in parallel with the at least one inductor and the at least one LED.

49. The lamp of claim 42, wherein the at least one LED comprises a string of serially-connected LEDs.

50. The lamp of claim 42, further comprising at least one capacitor coupled in series between the at least one electrical contact and the converter circuit.

51. An apparatus comprising:  
an output configured to be coupled to at least one LED;  
an input configured to be coupled to a ballast that produces an AC output;  
a passive resonant converter circuit coupled to the input and to the output.
52. The apparatus of claim 51, wherein the passive resonant converter circuit supports power transfer from the ballast to the at least one LED without active voltage or current regulation.
53. The apparatus of claim 51, wherein the passive resonant converter circuit comprises a combination of a passive rectifier circuit and a resonant circuit.
54. The apparatus of claim 53, wherein an input of the passive rectifier circuit is configured to be coupled to the ballast, wherein the resonant circuit is coupled to an output of the passive rectifier circuit and wherein the output of the passive rectifier circuit is configured to be coupled to the at least one LED.
55. The apparatus of claim 54, wherein the resonant circuit comprises a resonant CL circuit comprising at least one inductor and at least one capacitor.
56. The apparatus of claim 55, wherein the resonant circuit comprises at least one inductor configured to be coupled in series with the at least one LED and at least one capacitor configured to be coupled in parallel with the at least one inductor and the at least one LED.
57. The apparatus of claim 51, further comprising at least one capacitor configured to be coupled in series between the ballast and the converter circuit.
58. The apparatus of claim 51, wherein at least a portion of the passive resonant converter circuit is packaged in a module configured to be electrically connected between the ballast and a lamp connector.

59. The apparatus of claim 51, wherein at least a portion of the passive resonant converter circuit is packaged in a lamp including the at least one LED.

60. A lamp replacement kit comprising the apparatus of claim 51 and the at least one LED.

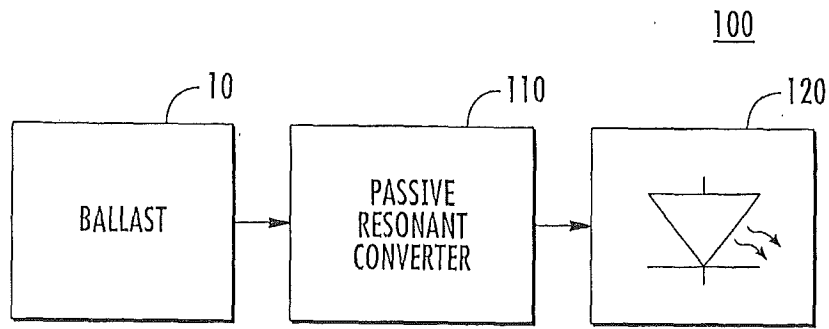


FIG. 1

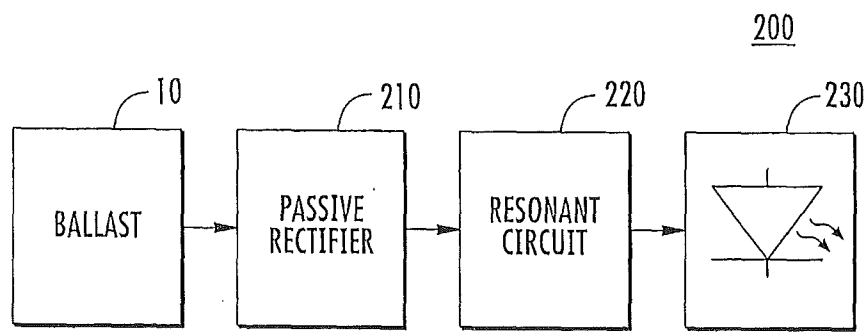


FIG. 2

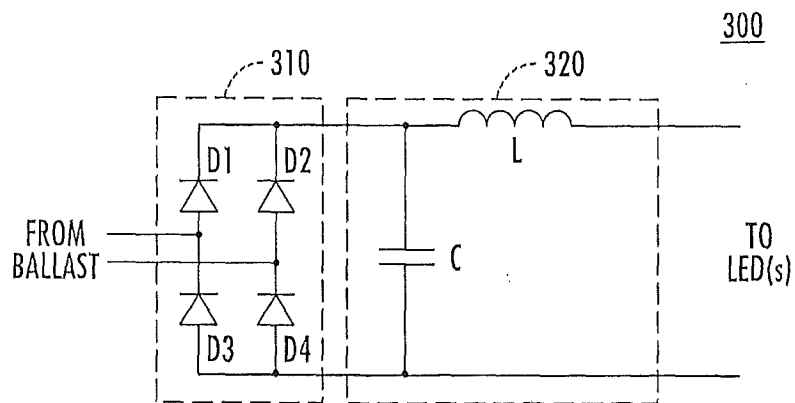


FIG. 3

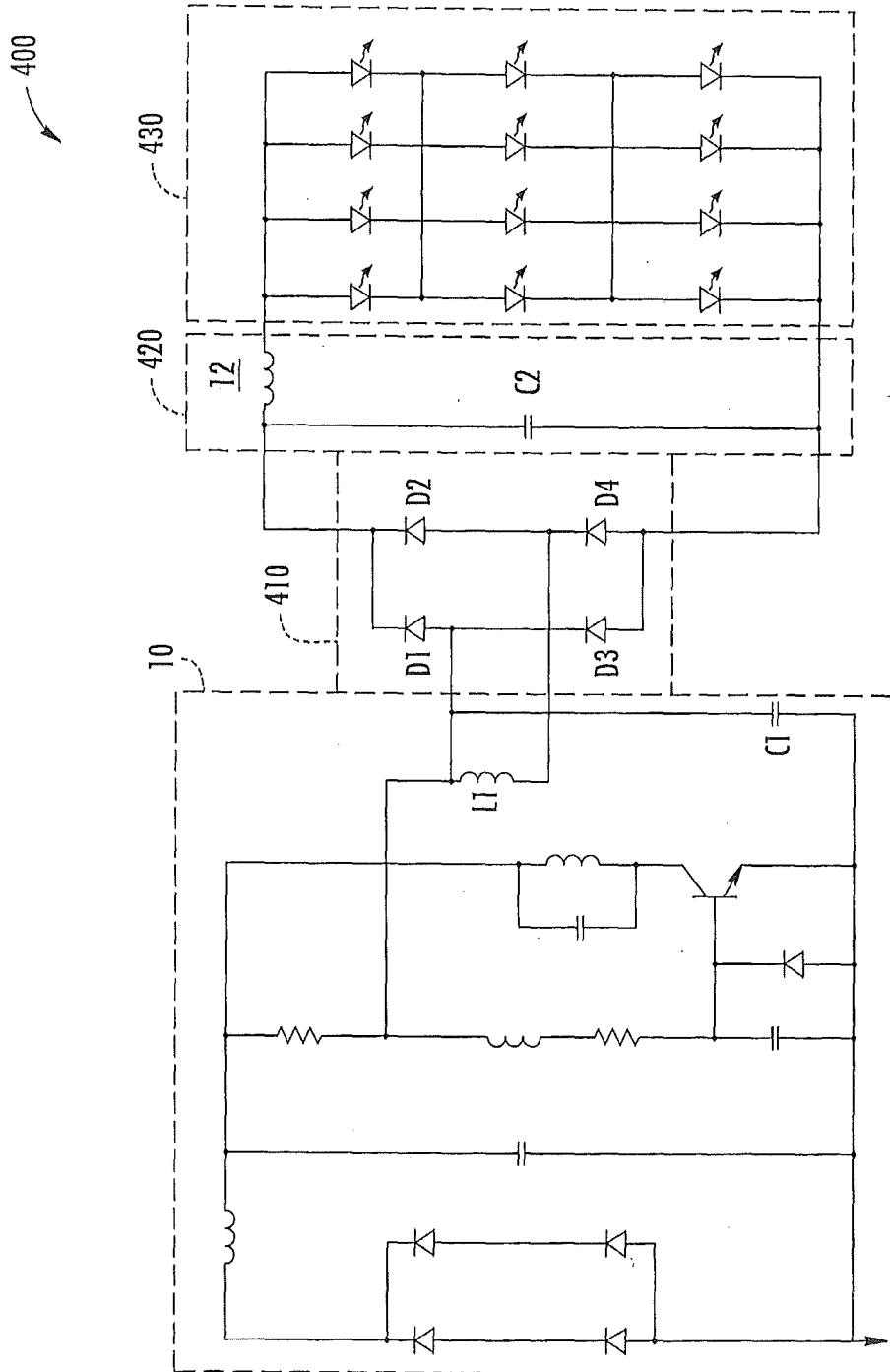


FIG. 4

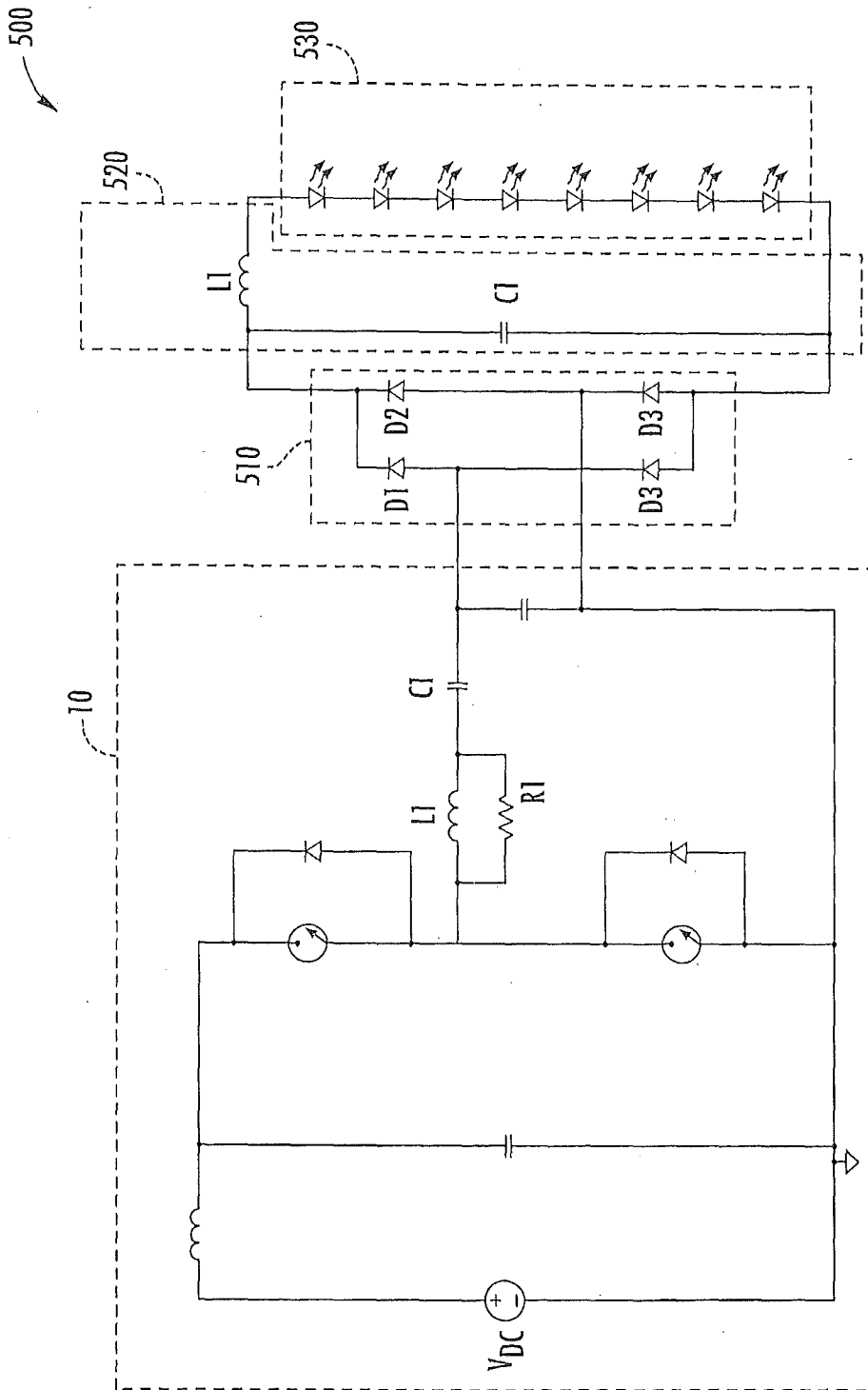


FIG. 5

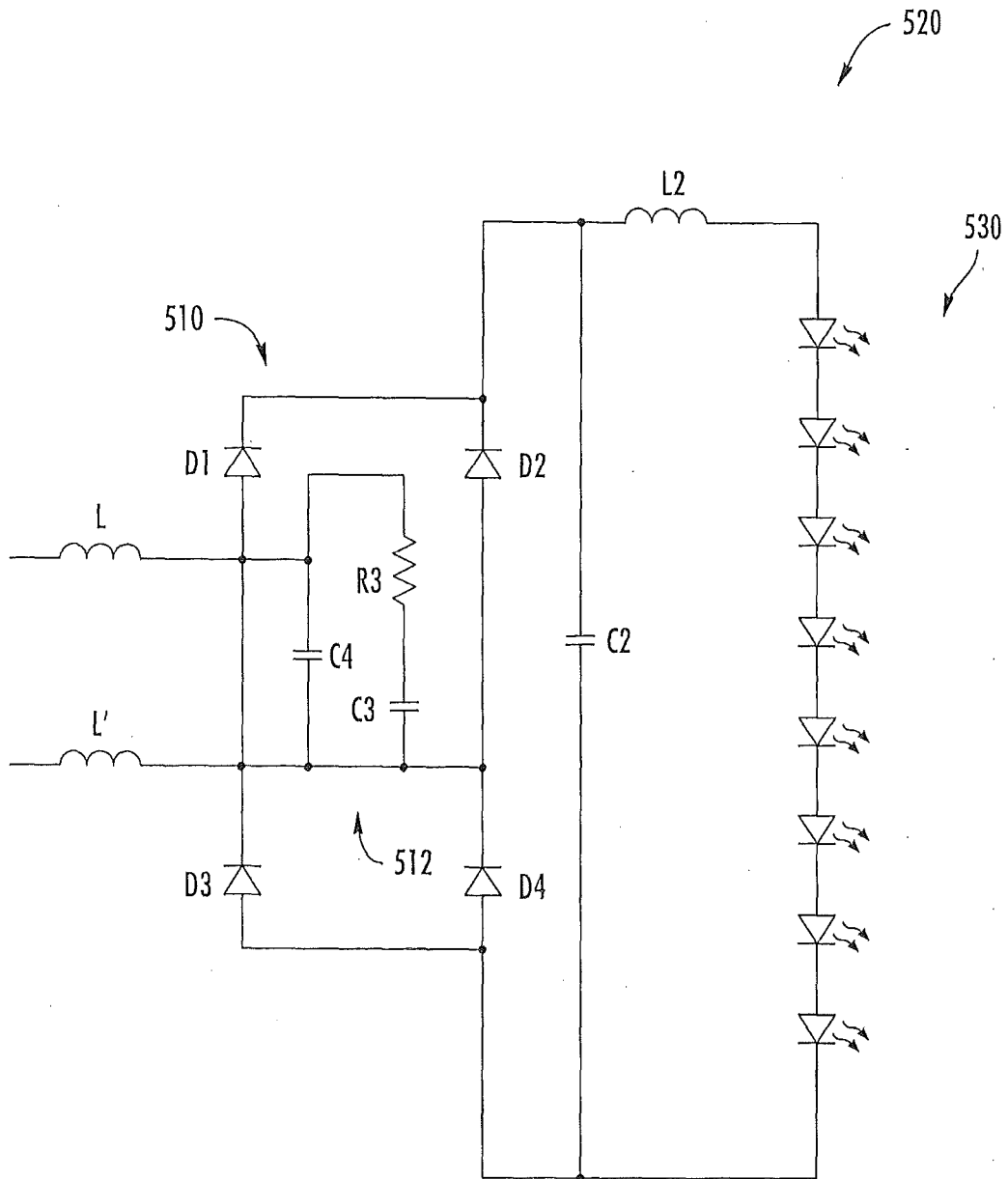


FIG. 6

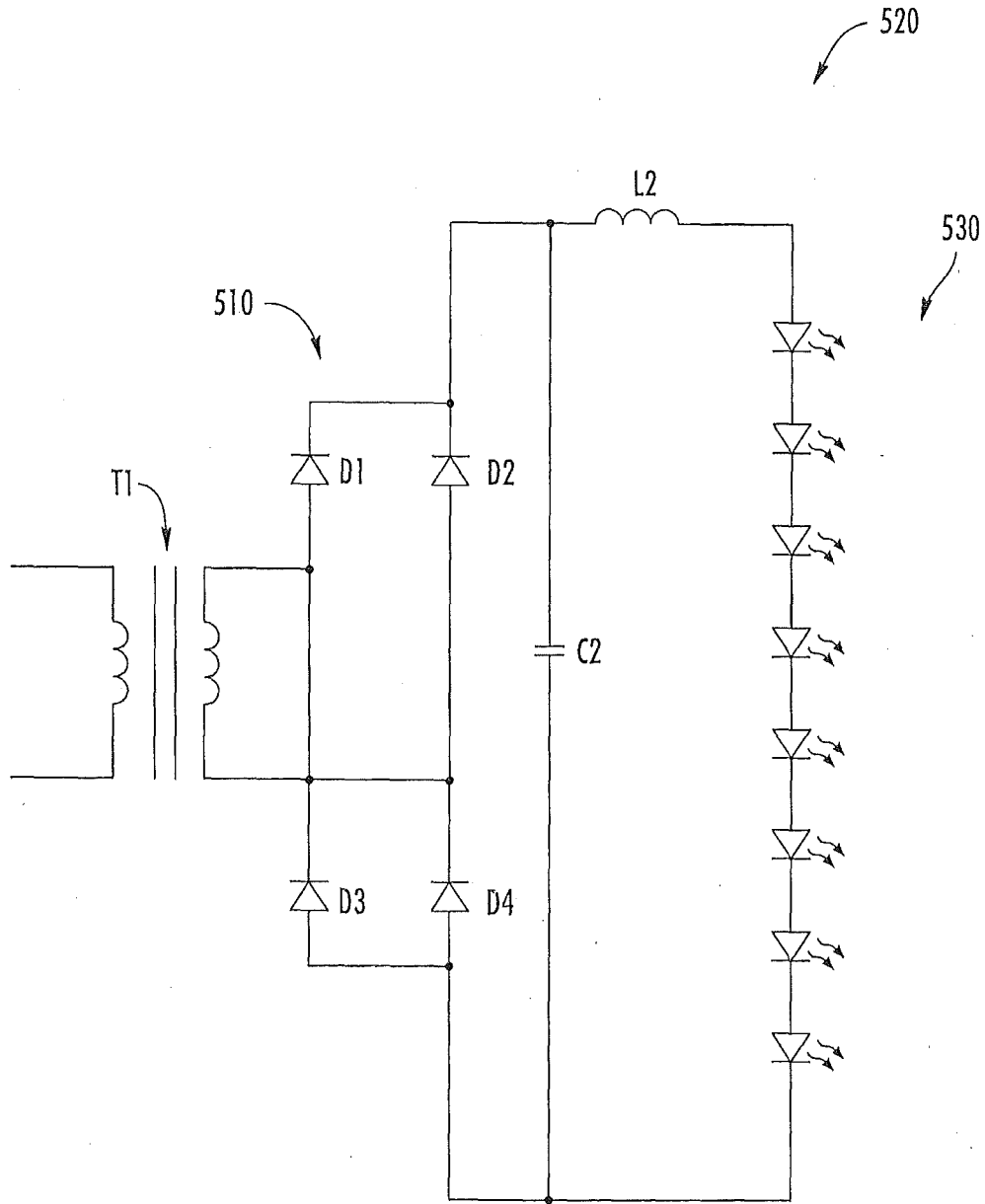


FIG. 7

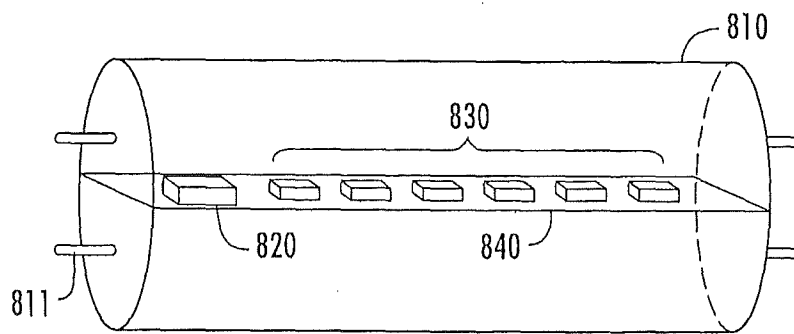
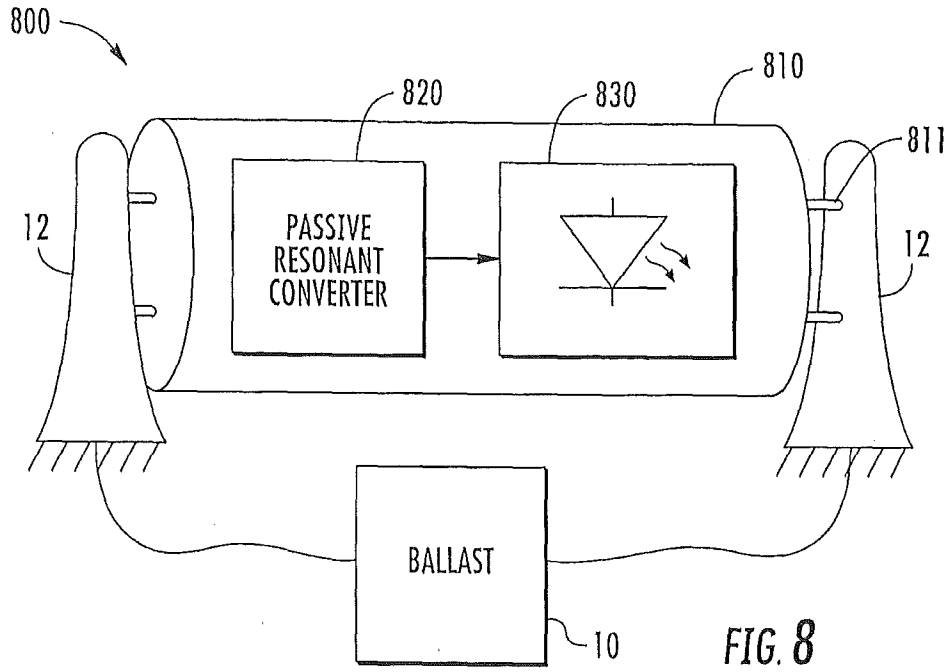
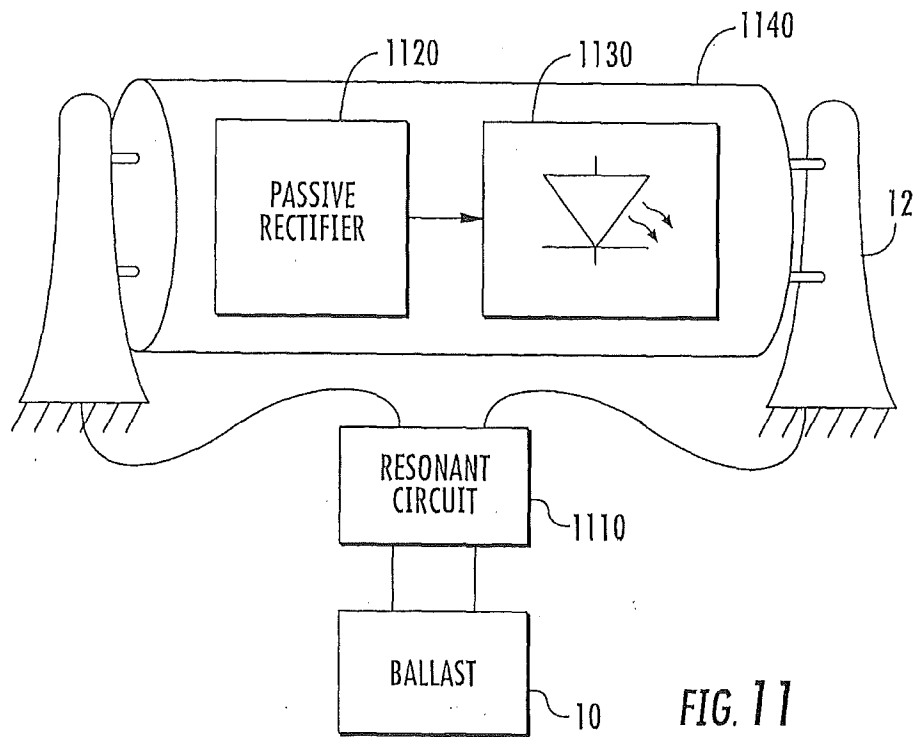
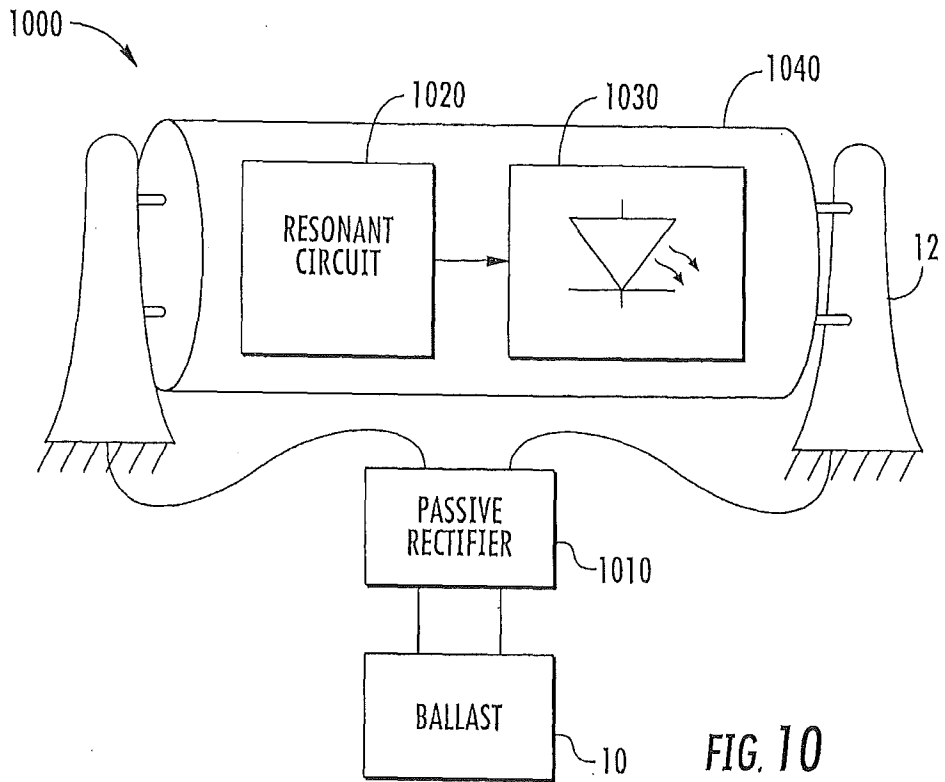
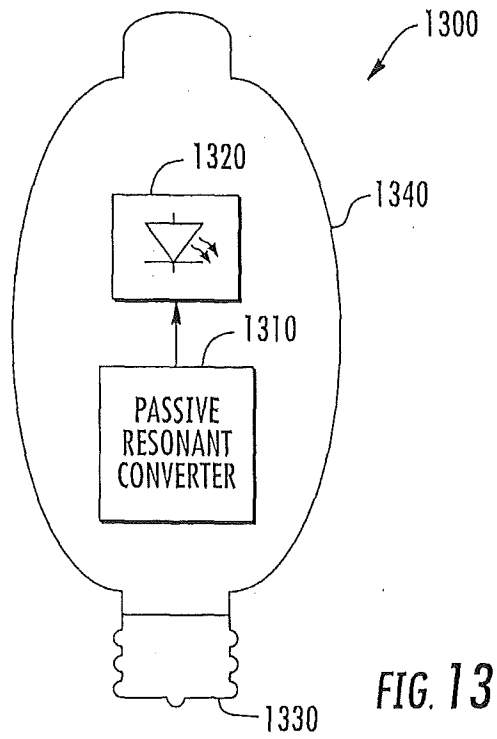
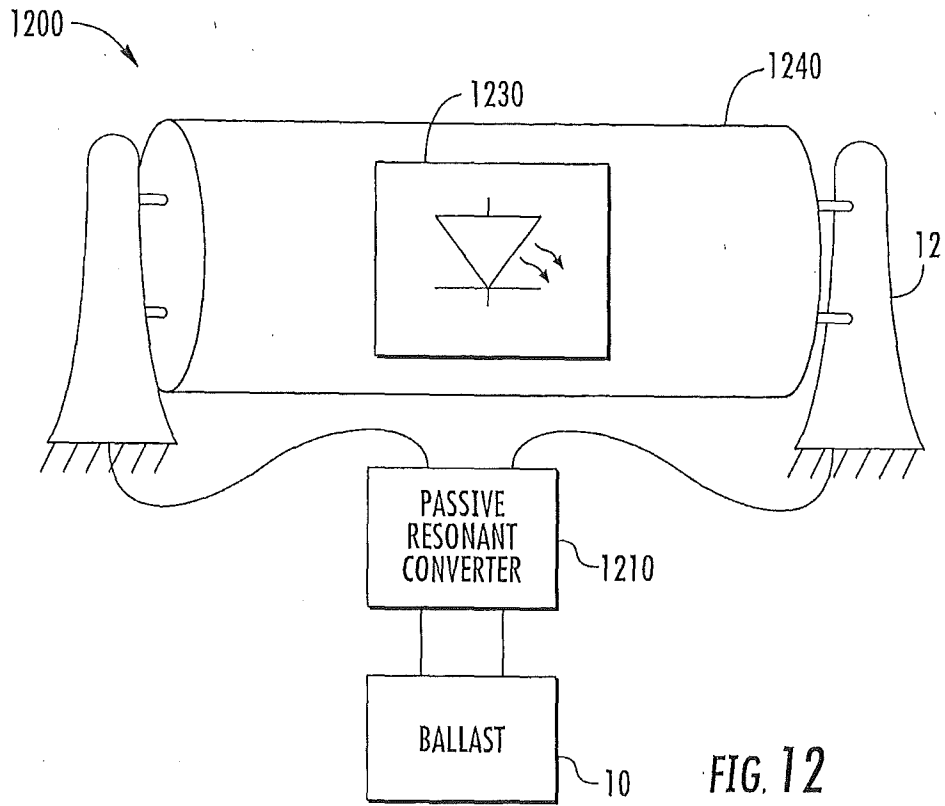


FIG. 9





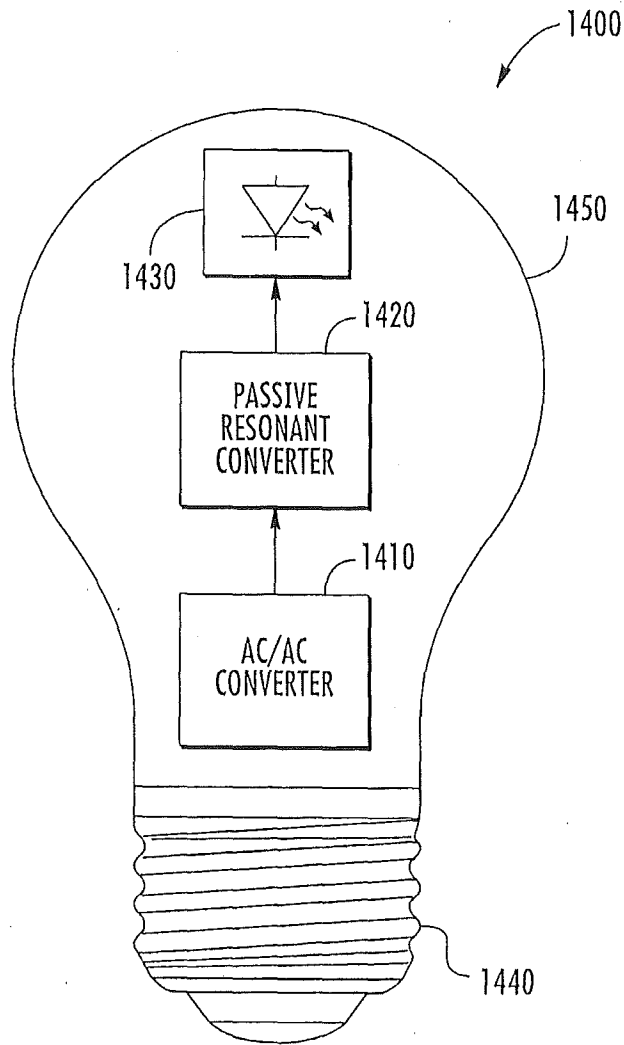


FIG. 14

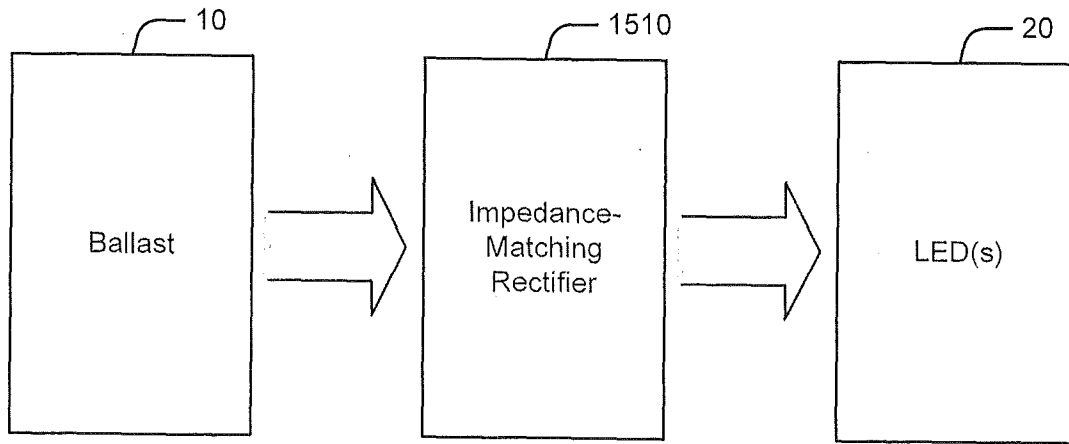


FIG. 15

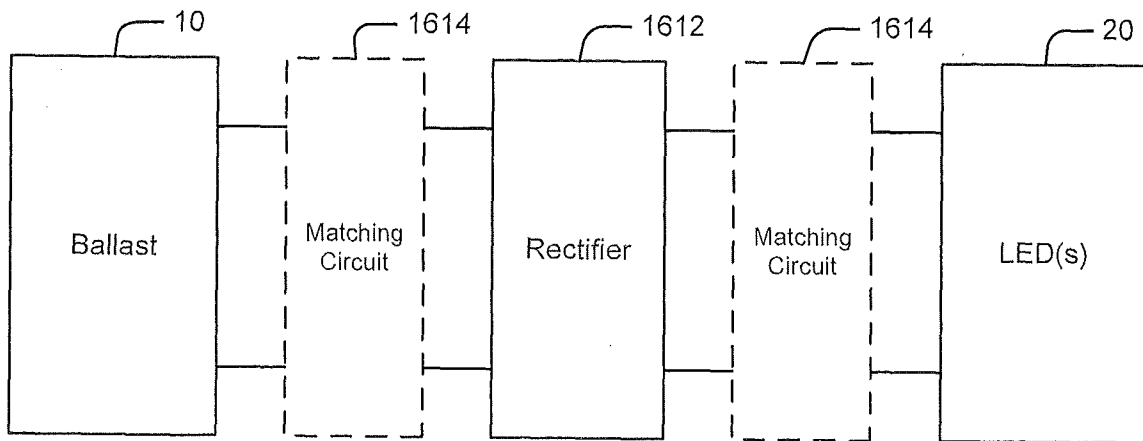


FIG. 16

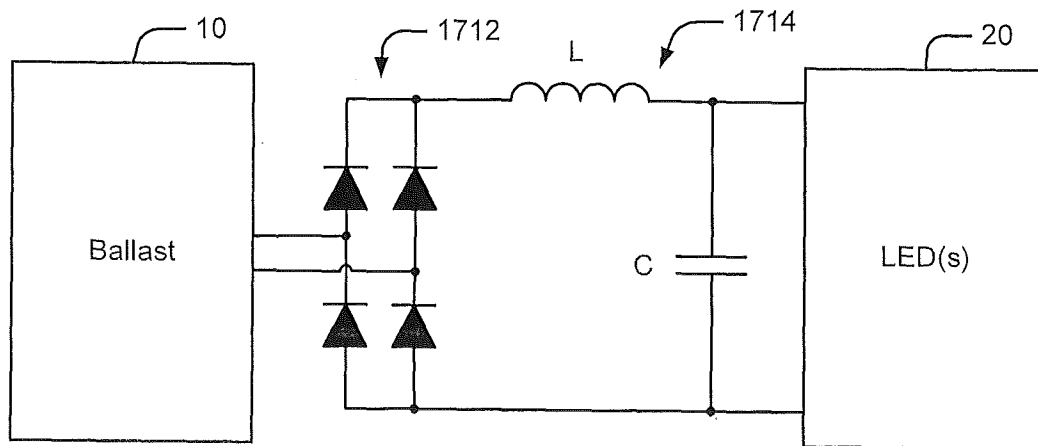


FIG. 17

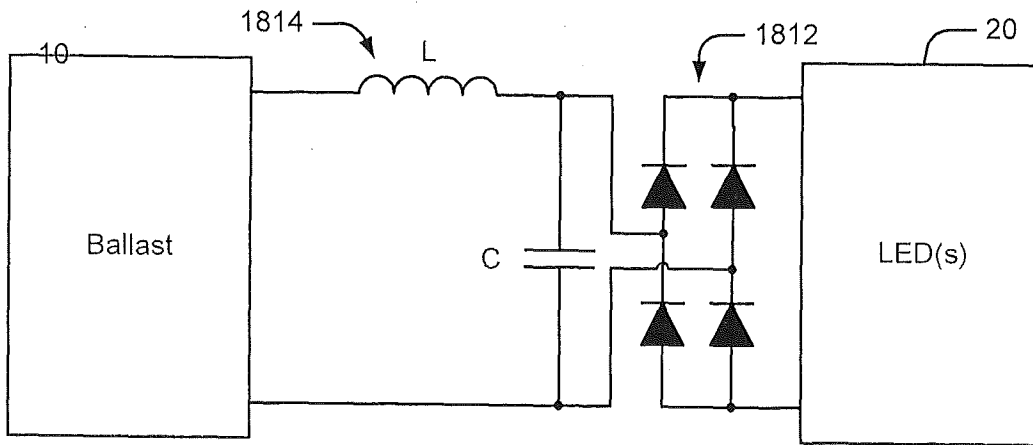


FIG. 18

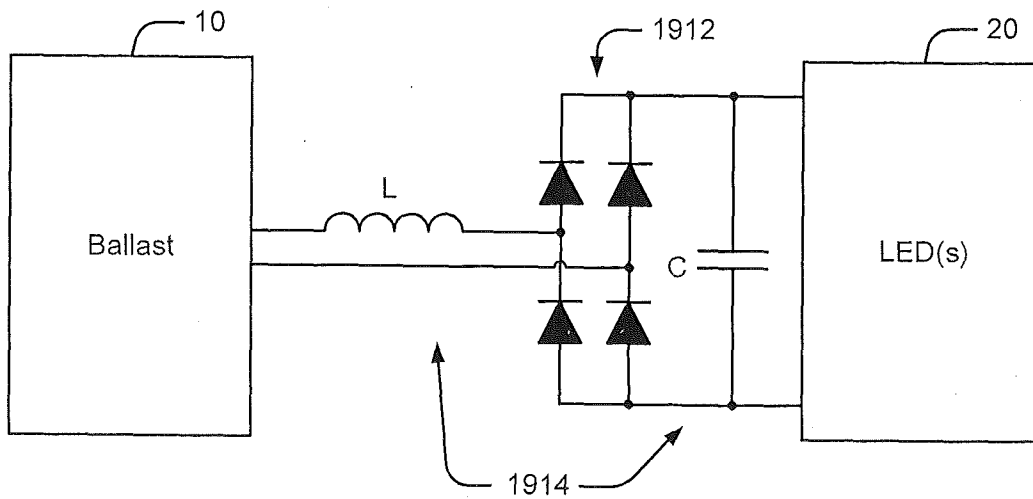


FIG. 19

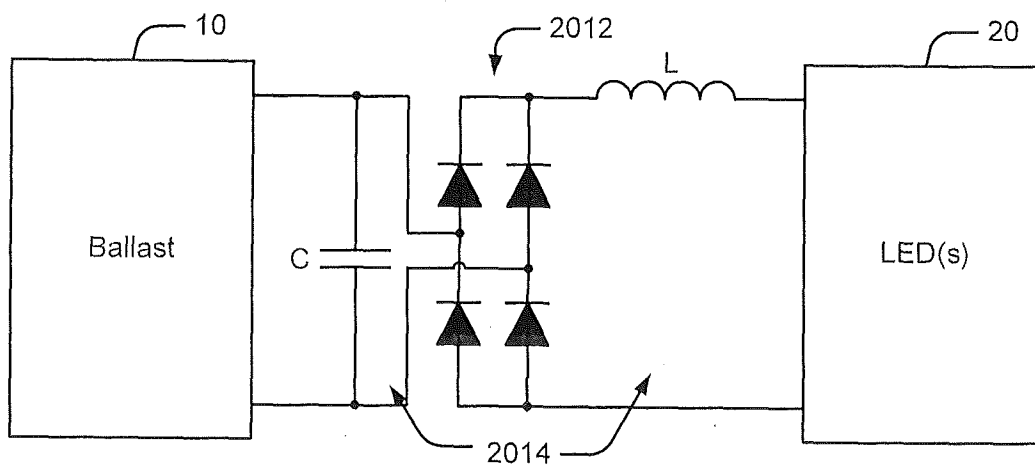


FIG. 20

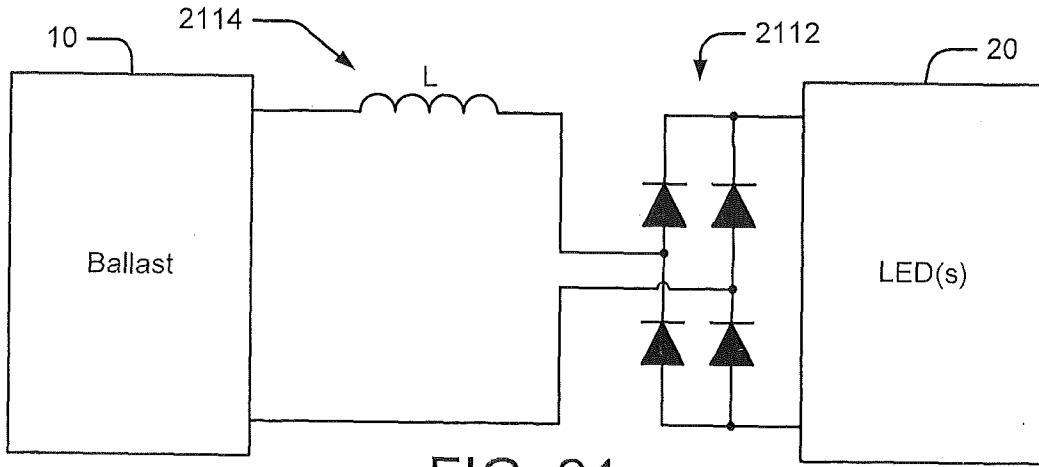


FIG. 21

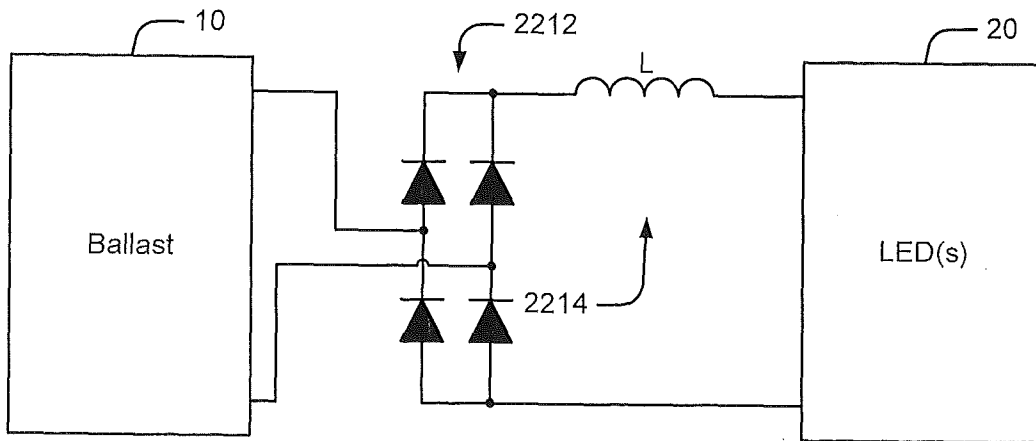


FIG. 22

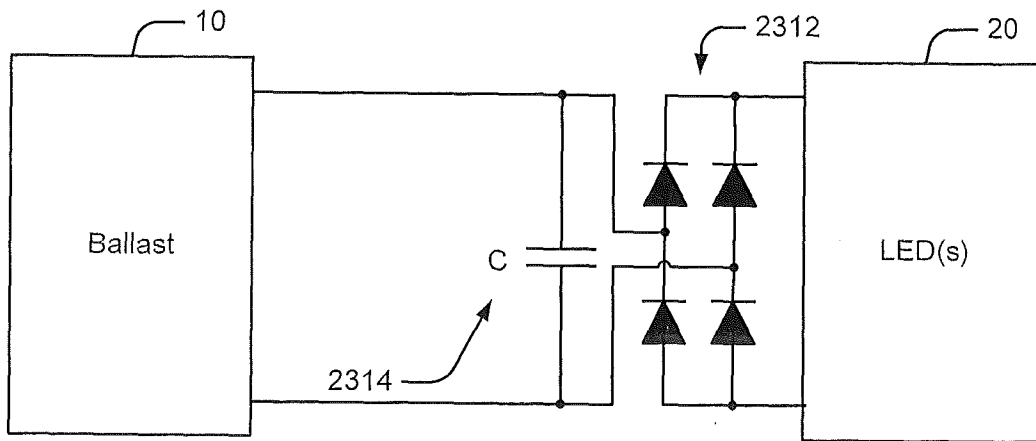


FIG. 23

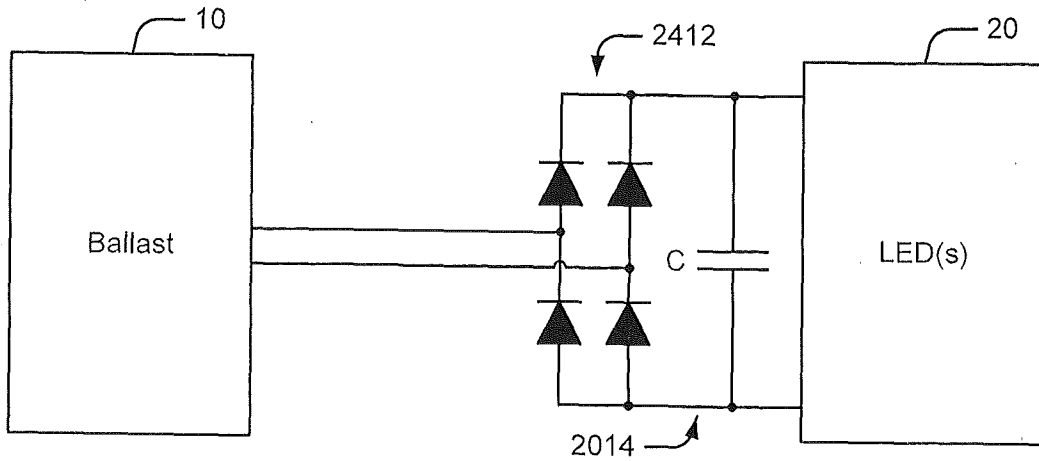


FIG. 24

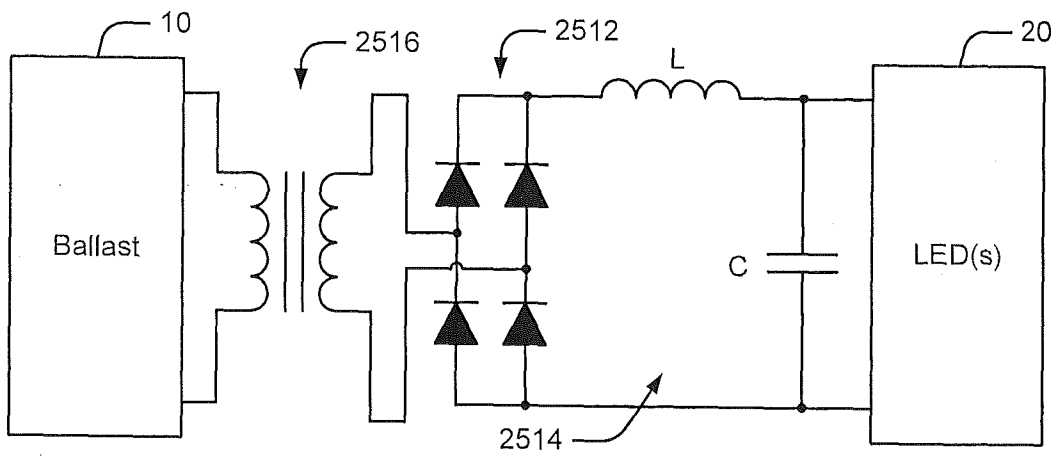


FIG. 25

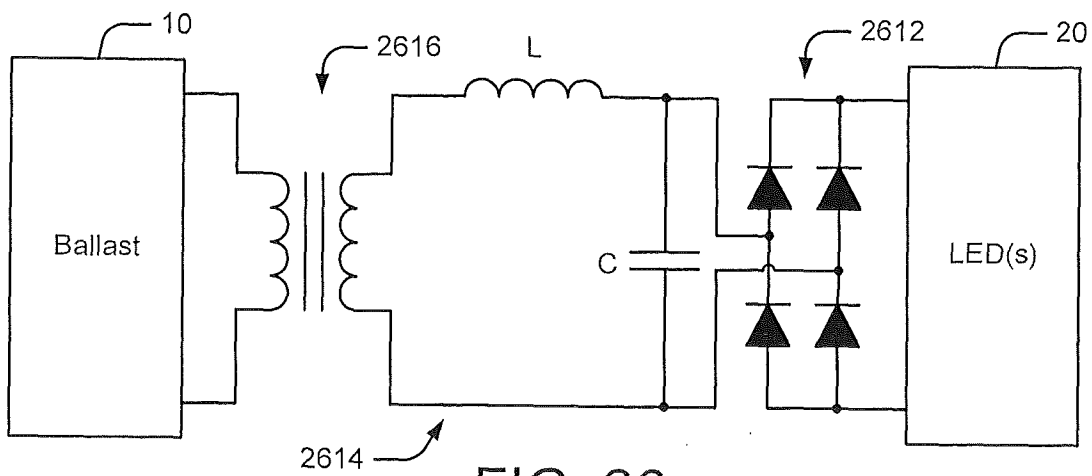


FIG. 26

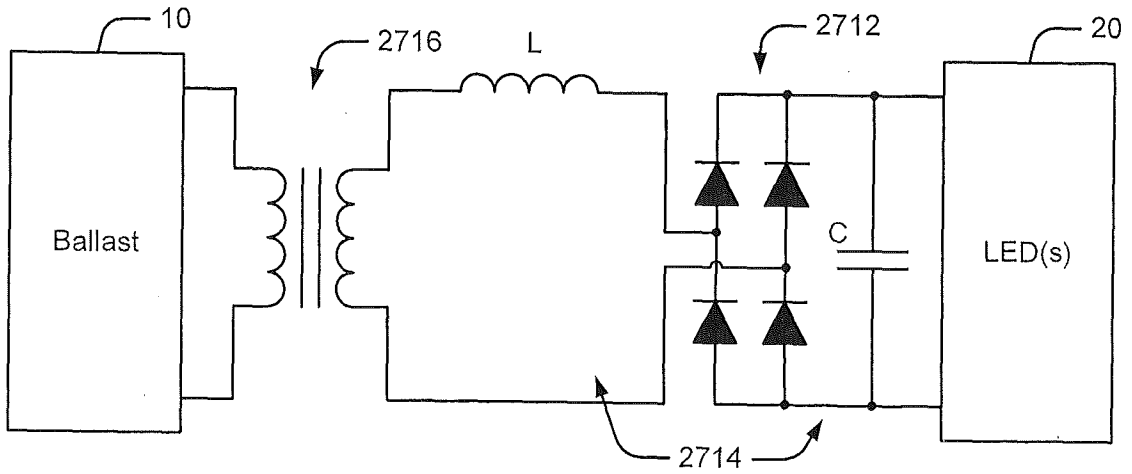


FIG. 27

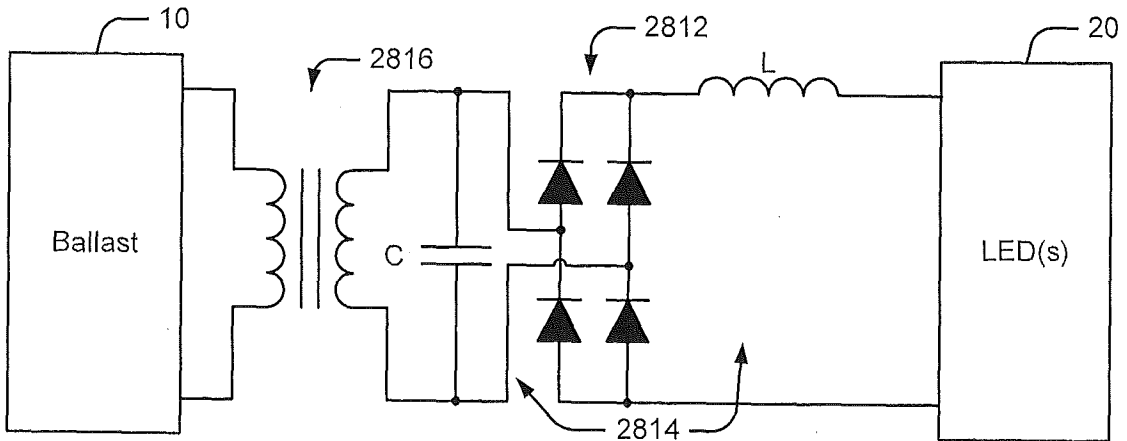


FIG. 28

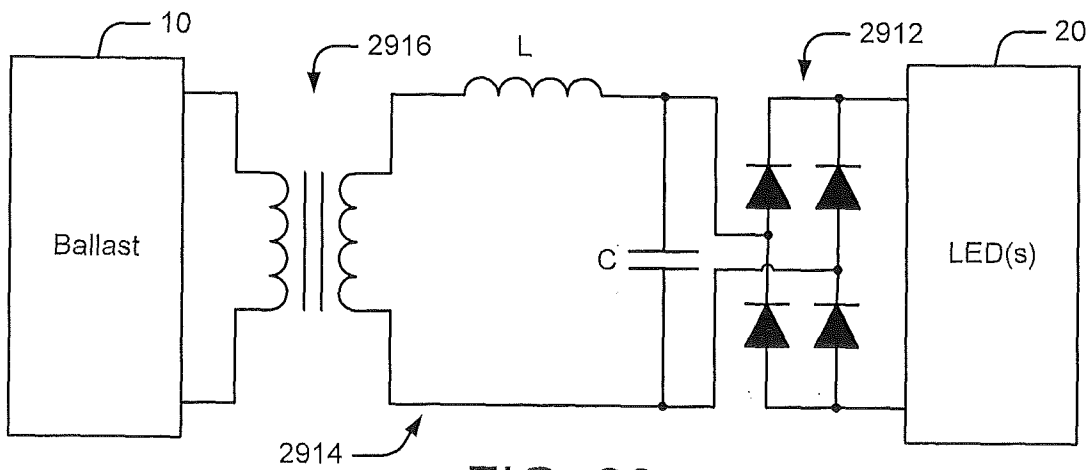
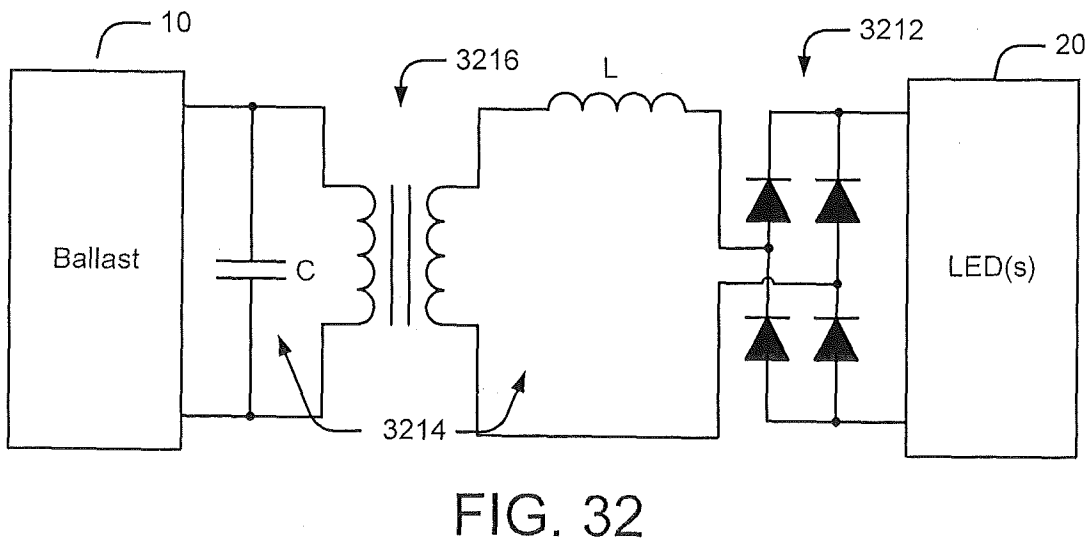
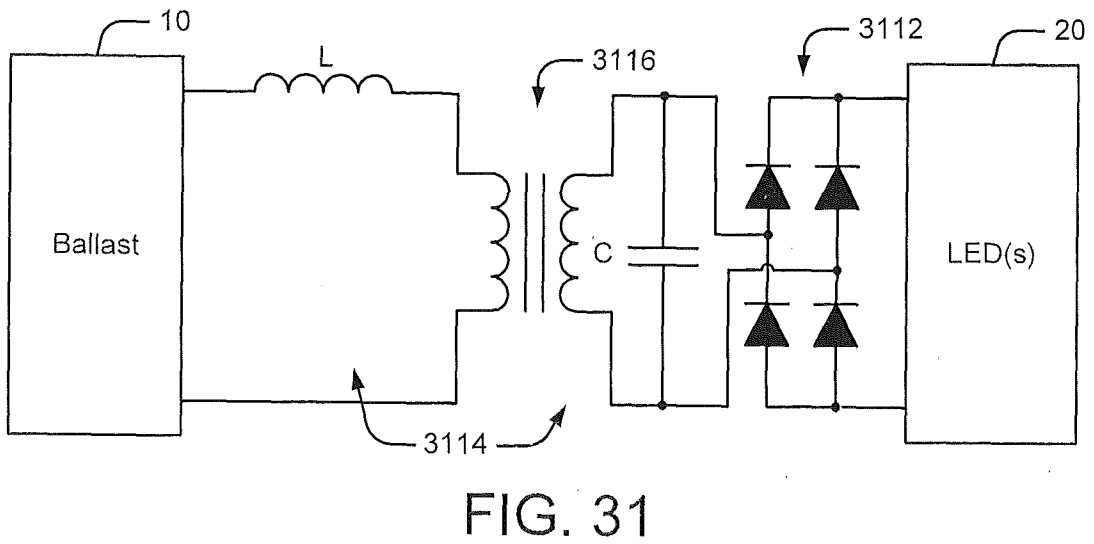
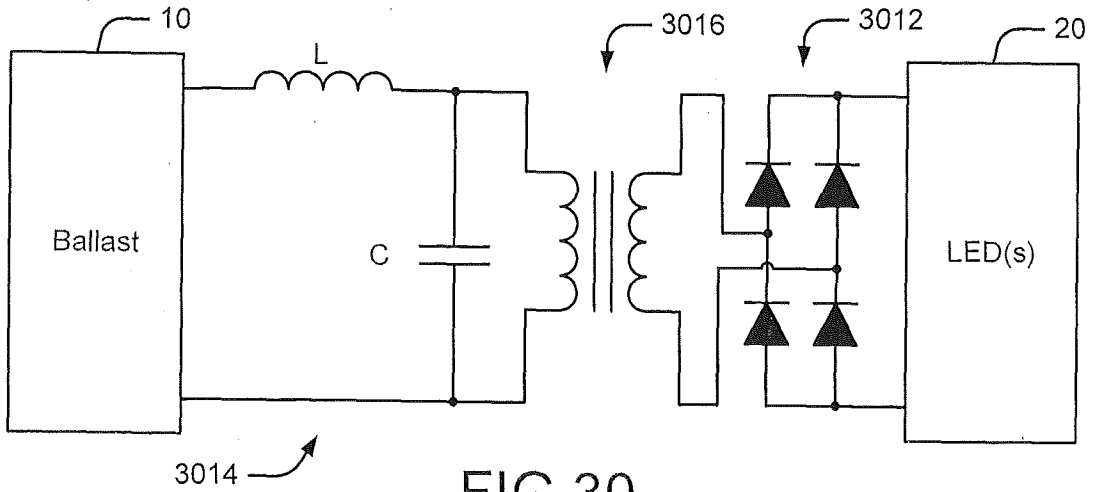


FIG. 29



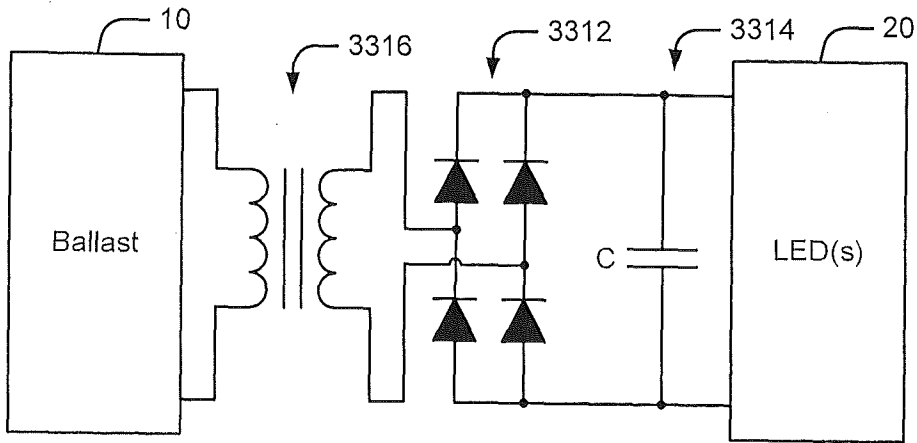


FIG. 33

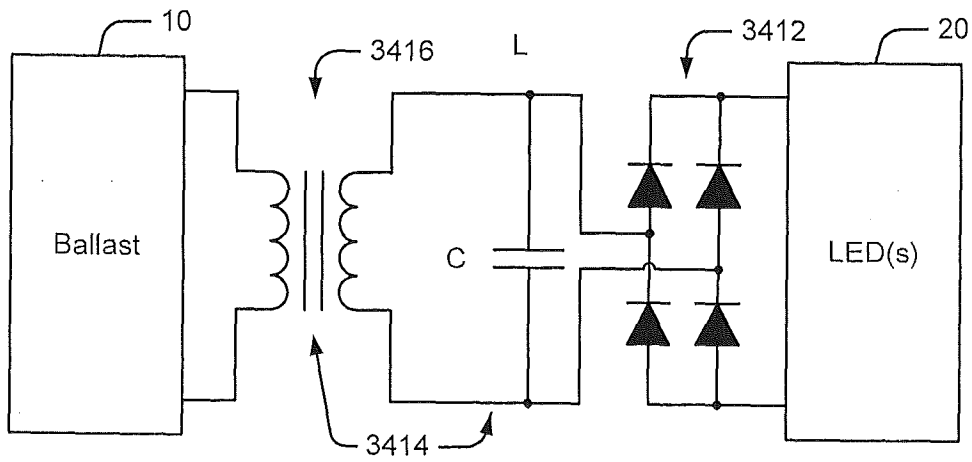


FIG. 34

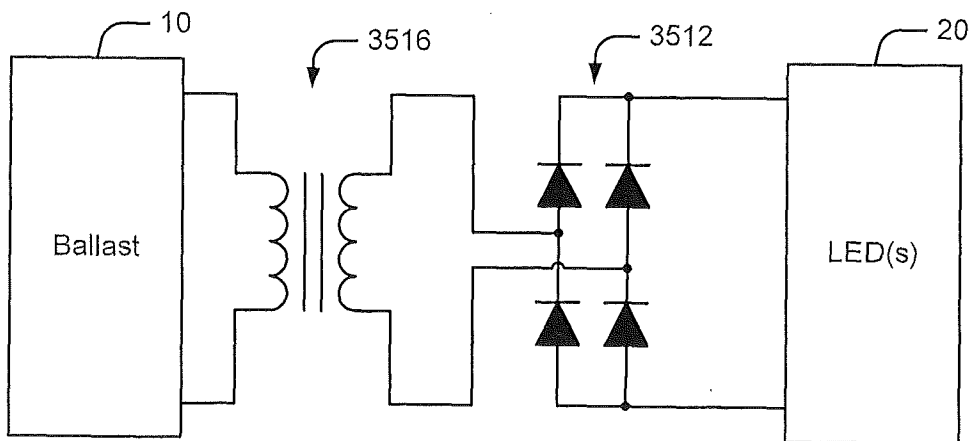


FIG. 35

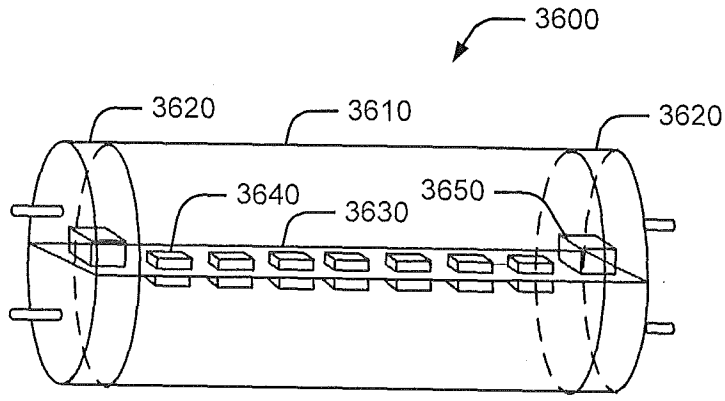


FIG. 36

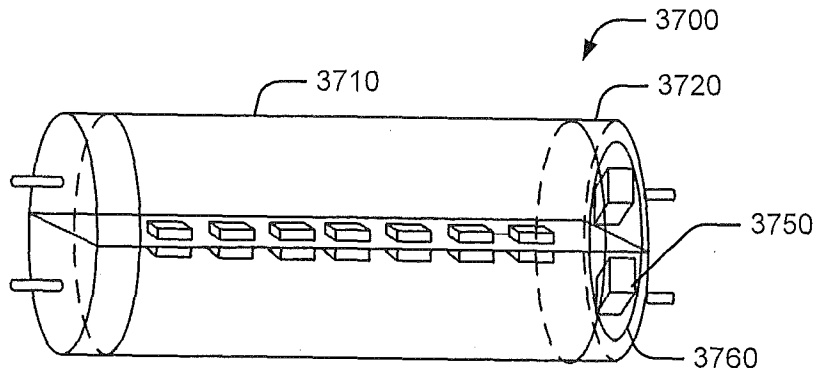


FIG. 37

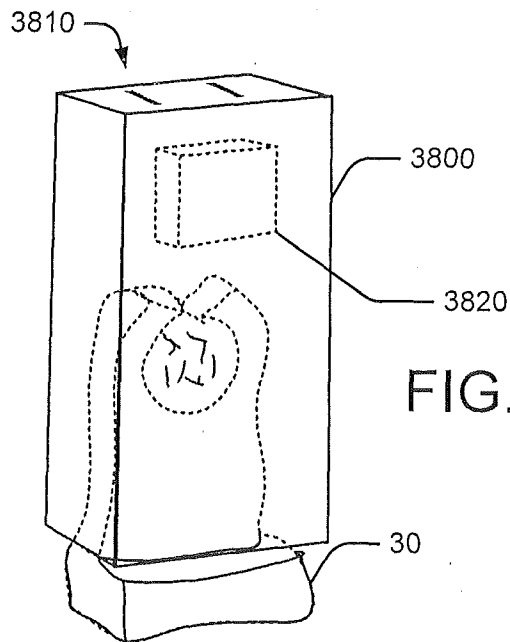


FIG. 38

INTERNATIONAL SEARCH REPORT

107000000 07-04-2014  
International application No.

PCT/US13/68905

<p><b>A. CLASSIFICATION OF SUBJECT MATTER</b>                  IPC(8) - H05B 41/392, 37/02 (2014.01)                  USPC - 315/291, 224, 208                  According to International Patent Classification (IPC) or to both national classification and IPC</p>																	
<p><b>B. FIELDS SEARCHED</b></p> <p>Minimum documentation searched (classification system followed by classification symbols)                  IPC(8): H05B 37/02, 41/00, 41/392; H03K 17/082, F21K 99/00 (2014.01)                  USPC: 315/224, 307, 291, 352, 341, 344, 208, 307</p> <p>Documentation searched other than minimum documentation to the extent that such documents are included in the fields searched</p> <p>Electronic data base consulted during the international search (name of data base and, where practicable, search terms used)                  MicroPatent (US Granted, US Applications, EP-A, EP-B, WO, JP, DE-G, DE-A, DE-T, DE-U, GB-A, FR-A); Google; Google Scholar; ProQuest; IP.com; Search terms used: ballast, fluorescent, led, passive, rectifier, input, output, port; impedance</p>																	
<p><b>C. DOCUMENTS CONSIDERED TO BE RELEVANT</b></p> <table border="1"> <thead> <tr> <th>Category*</th> <th>Citation of document, with indication, where appropriate, of the relevant passages</th> <th>Relevant to claim No.</th> </tr> </thead> <tbody> <tr> <td>X --- Y</td> <td>US 2010/0270941 A1 (HUI, R.) October 28, 2010; figures 4b, 9, 18, 22, 23, paragraphs [0008], [0063]-[0066], [0071], [0082], [106]</td> <td>1-15 --- 16-18</td> </tr> <tr> <td>X --- Y</td> <td>WO 2012/104800 A2 (RADERMACHER, H.) August 9, 2012; abstract, page 3, lines 6-24, page 7, lines 7-25, page 8; lines 9-14, page 12, lines 14-23, page 14, lines 5-7, figures 1-5, 9</td> <td>19-28, 30-35, 37, 39-43, 46-49, 51, 53-56, 58-60 --- 16-18, 29, 36, 38, 44, 45, 50, 52, 57</td> </tr> <tr> <td>Y</td> <td>WO 2009/010802 A2 (RYAN, P.) January 22, 2009; page 28, paragraph 4, page 29, paragraphs 1-2, figure 9b</td> <td>29, 45, 52</td> </tr> <tr> <td>Y</td> <td>US 5,598,326 A (LIU, R. et al.) January 28, 1997; figure 11, column 2, lines 63-65, column 3, lines 6-11, 36-58, column 10, lines 13-28</td> <td>36, 38, 44, 50, 57</td> </tr> </tbody> </table>			Category*	Citation of document, with indication, where appropriate, of the relevant passages	Relevant to claim No.	X --- Y	US 2010/0270941 A1 (HUI, R.) October 28, 2010; figures 4b, 9, 18, 22, 23, paragraphs [0008], [0063]-[0066], [0071], [0082], [106]	1-15 --- 16-18	X --- Y	WO 2012/104800 A2 (RADERMACHER, H.) August 9, 2012; abstract, page 3, lines 6-24, page 7, lines 7-25, page 8; lines 9-14, page 12, lines 14-23, page 14, lines 5-7, figures 1-5, 9	19-28, 30-35, 37, 39-43, 46-49, 51, 53-56, 58-60 --- 16-18, 29, 36, 38, 44, 45, 50, 52, 57	Y	WO 2009/010802 A2 (RYAN, P.) January 22, 2009; page 28, paragraph 4, page 29, paragraphs 1-2, figure 9b	29, 45, 52	Y	US 5,598,326 A (LIU, R. et al.) January 28, 1997; figure 11, column 2, lines 63-65, column 3, lines 6-11, 36-58, column 10, lines 13-28	36, 38, 44, 50, 57
Category*	Citation of document, with indication, where appropriate, of the relevant passages	Relevant to claim No.															
X --- Y	US 2010/0270941 A1 (HUI, R.) October 28, 2010; figures 4b, 9, 18, 22, 23, paragraphs [0008], [0063]-[0066], [0071], [0082], [106]	1-15 --- 16-18															
X --- Y	WO 2012/104800 A2 (RADERMACHER, H.) August 9, 2012; abstract, page 3, lines 6-24, page 7, lines 7-25, page 8; lines 9-14, page 12, lines 14-23, page 14, lines 5-7, figures 1-5, 9	19-28, 30-35, 37, 39-43, 46-49, 51, 53-56, 58-60 --- 16-18, 29, 36, 38, 44, 45, 50, 52, 57															
Y	WO 2009/010802 A2 (RYAN, P.) January 22, 2009; page 28, paragraph 4, page 29, paragraphs 1-2, figure 9b	29, 45, 52															
Y	US 5,598,326 A (LIU, R. et al.) January 28, 1997; figure 11, column 2, lines 63-65, column 3, lines 6-11, 36-58, column 10, lines 13-28	36, 38, 44, 50, 57															
<p><input type="checkbox"/> Further documents are listed in the continuation of Box C. <input type="checkbox"/></p>																	
<p>* Special categories of cited documents:</p> <table border="0"> <tr> <td>“A” document defining the general state of the art which is not considered to be of particular relevance</td> <td>“T” later document published after the international filing date or priority date and not in conflict with the application but cited to understand the principle or theory underlying the invention</td> </tr> <tr> <td>“E” earlier application or patent but published on or after the international filing date</td> <td>“X” document of particular relevance; the claimed invention cannot be considered novel or cannot be considered to involve an inventive step when the document is taken alone</td> </tr> <tr> <td>“L” document which may throw doubts on priority claim(s) or which is cited to establish the publication date of another citation or other special reason (as specified)</td> <td>“Y” document of particular relevance; the claimed invention cannot be considered to involve an inventive step when the document is combined with one or more other such documents, such combination being obvious to a person skilled in the art</td> </tr> <tr> <td>“O” document referring to an oral disclosure, use, exhibition or other means</td> <td>“&amp;” document member of the same patent family</td> </tr> <tr> <td>“P” document published prior to the international filing date but later than the priority date claimed</td> <td></td> </tr> </table>			“A” document defining the general state of the art which is not considered to be of particular relevance	“T” later document published after the international filing date or priority date and not in conflict with the application but cited to understand the principle or theory underlying the invention	“E” earlier application or patent but published on or after the international filing date	“X” document of particular relevance; the claimed invention cannot be considered novel or cannot be considered to involve an inventive step when the document is taken alone	“L” document which may throw doubts on priority claim(s) or which is cited to establish the publication date of another citation or other special reason (as specified)	“Y” document of particular relevance; the claimed invention cannot be considered to involve an inventive step when the document is combined with one or more other such documents, such combination being obvious to a person skilled in the art	“O” document referring to an oral disclosure, use, exhibition or other means	“&” document member of the same patent family	“P” document published prior to the international filing date but later than the priority date claimed						
“A” document defining the general state of the art which is not considered to be of particular relevance	“T” later document published after the international filing date or priority date and not in conflict with the application but cited to understand the principle or theory underlying the invention																
“E” earlier application or patent but published on or after the international filing date	“X” document of particular relevance; the claimed invention cannot be considered novel or cannot be considered to involve an inventive step when the document is taken alone																
“L” document which may throw doubts on priority claim(s) or which is cited to establish the publication date of another citation or other special reason (as specified)	“Y” document of particular relevance; the claimed invention cannot be considered to involve an inventive step when the document is combined with one or more other such documents, such combination being obvious to a person skilled in the art																
“O” document referring to an oral disclosure, use, exhibition or other means	“&” document member of the same patent family																
“P” document published prior to the international filing date but later than the priority date claimed																	
<p>Date of the actual completion of the international search 13 March 2014 (13.03.2014)</p>		<p>Date of mailing of the international search report <b>07 APR 2014</b></p>															
<p>Name and mailing address of the ISA/US                  Mail Stop PCT, Attn: ISA/US, Commissioner for Patents                  P.O. Box 1450, Alexandria, Virginia 22313-1450                  Facsimile No. 571-273-3201</p>		<p>Authorized officer: Shane Thomas</p> <p>PCT Helpdesk: 571-272-4300 PCT OSP: 571-272-7774</p>															