



US00D756367S

(12) **United States Design Patent**  
**Kim**

(10) **Patent No.:** **US D756,367 S**

(45) **Date of Patent:** **\*\* May 17, 2016**

(54) **STAND FOR ELECTRONIC DEVICE**

(71) Applicant: **Dae-Young Kim**, Seoul (KR)

(72) Inventor: **Dae-Young Kim**, Seoul (KR)

(73) Assignee: **SPIGEN KOREA CO., LTD.**,  
Geumcheon-Gu, Seoul (KR)

(\*\*) Term: **15 Years**

(21) Appl. No.: **29/529,399**

(22) Filed: **Jun. 5, 2015**

(51) **LOC (10) Cl.** ..... **08-07**

(52) **U.S. Cl.**  
USPC ..... **D14/447**

(58) **Field of Classification Search**  
USPC ..... D14/447, 432, 434, 439, 440, 451, 452,  
D14/457, 239, 253; D8/363, 373, 380;  
D6/406.3, 406.4, 406.5, 406.6;  
D12/415  
CPC ..... A47B 21/04; A47B 2097/006; A47B  
2097/005; A47B 2023/049; A45C 2011/002;  
A45C 2011/003; F16M 2200/00; F16M 13/00  
See application file for complete search history.

(56) **References Cited**

**U.S. PATENT DOCUMENTS**

D649,153	S	*	11/2011	Symons	.....	D14/447
D676,054	S	*	2/2013	Izen	.....	D14/447
D688,670	S	*	8/2013	Huang	.....	D14/447
D692,010	S	*	10/2013	Verghese	.....	D14/447
D703,673	S	*	4/2014	Kittlaus	.....	D14/447
D703,676	S	*	4/2014	Smith	.....	D14/447
D703,677	S	*	4/2014	Bigazzi	.....	D14/447
D703,678	S	*	4/2014	Shubin, Sr.	.....	D14/447
D714,297	S	*	9/2014	Poulsen	.....	D14/447
D717,306	S	*	11/2014	Clouser	.....	D14/447

D722,317	S	*	2/2015	Parameshwara	.....	D14/447
D730,914	S	*	6/2015	Park	.....	D14/447
D748,099	S	*	1/2016	Heid	.....	D14/447

\* cited by examiner

*Primary Examiner* — Angela J Lee

(74) *Attorney, Agent, or Firm* — East West Law Group;  
Heedong Chae

(57) **CLAIM**

The ornamental design for a stand for electronic device, as shown and described.

**DESCRIPTION**

FIG. 1 is a front perspective view of a stand for electronic device, having a supporting member and an electronic device holder, showing my new design;

FIG. 2 is a rear perspective view thereof;

FIG. 3 is a front elevational view thereof;

FIG. 4 is a rear elevational view thereof;

FIG. 5 is a left side elevational view thereof;

FIG. 6 is a right side elevational view thereof;

FIG. 7 is a top plan view thereof;

FIG. 8 is a bottom plan view thereof;

FIG. 9 is a front perspective view of the supporting member shown separately for clarity of illustration;

FIG. 10 is a rear perspective view thereof;

FIG. 11 is a front perspective view of the electronic device holder showing separately for clarity of illustration;

FIG. 12 is a rear perspective view thereof;

FIG. 13 is a front perspective view of the stand for electronic device in which the supporting member and the electronic device holder are shown separated for clarity of disclosure; and,

FIG. 14 is a rear perspective view of the stand for electronic device in which the supporting member and the electronic device holder are shown separated for clarity of disclosure.

**1 Claim, 14 Drawing Sheets**

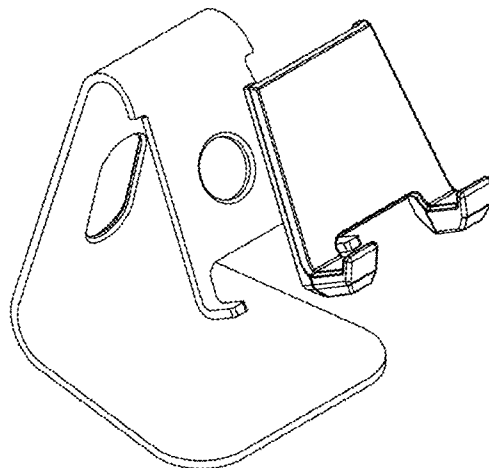


FIG. 1

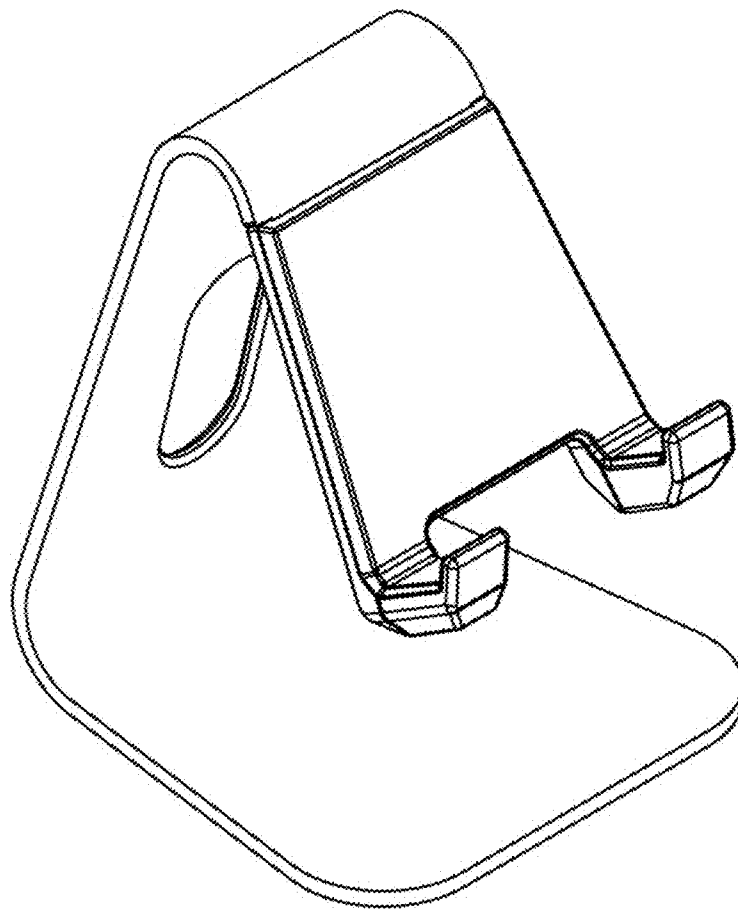


FIG. 2

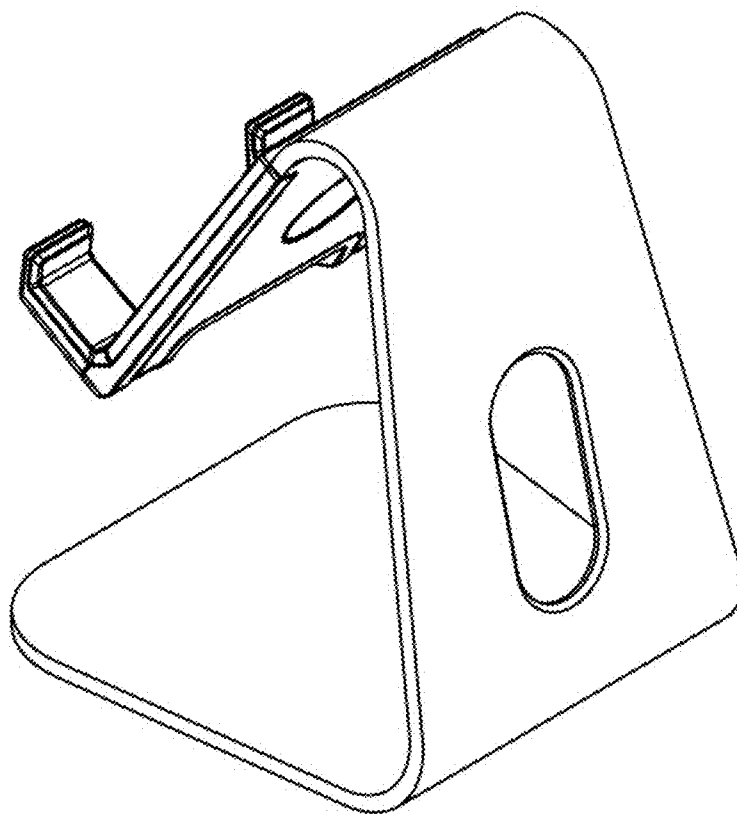


FIG. 3

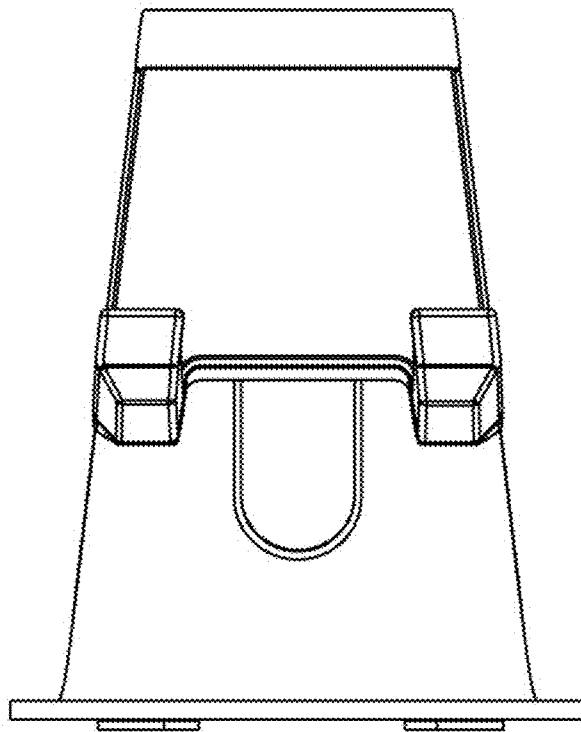


FIG. 4

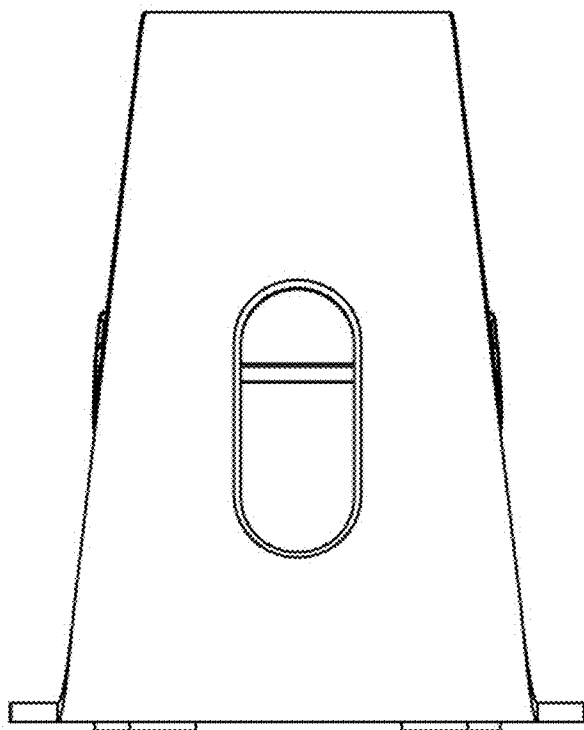


FIG. 5

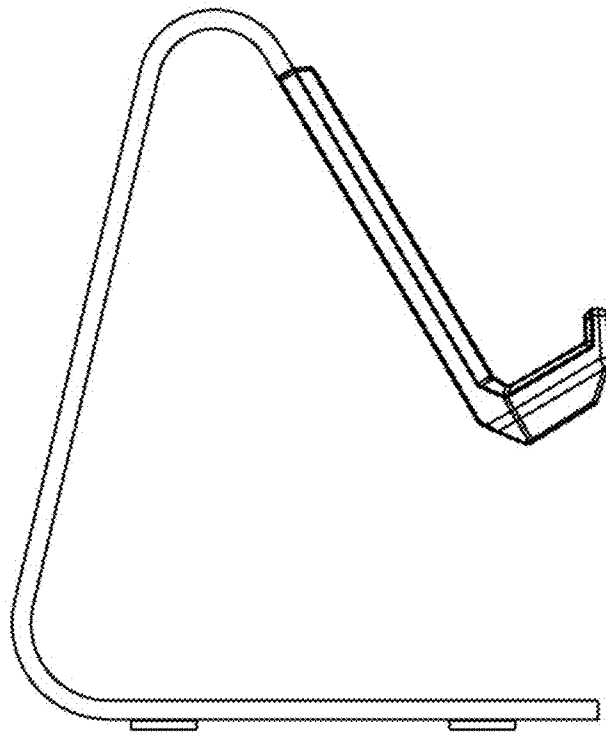


FIG. 6

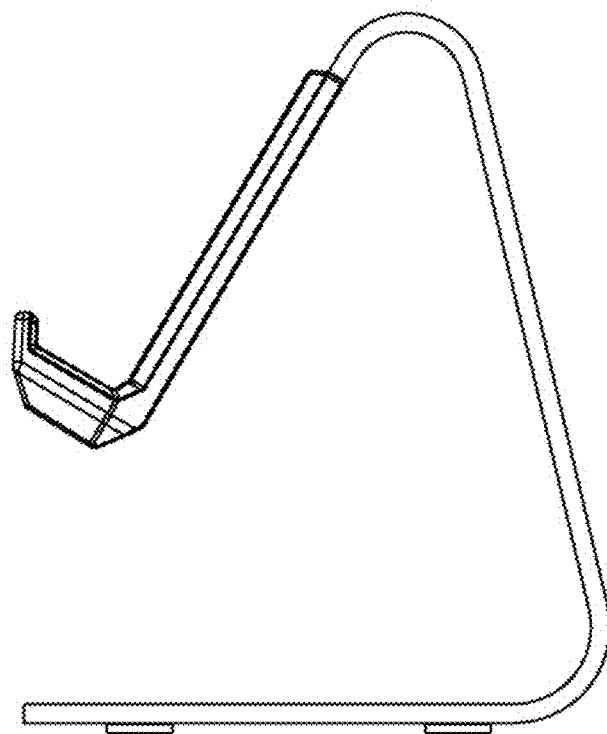


FIG. 7

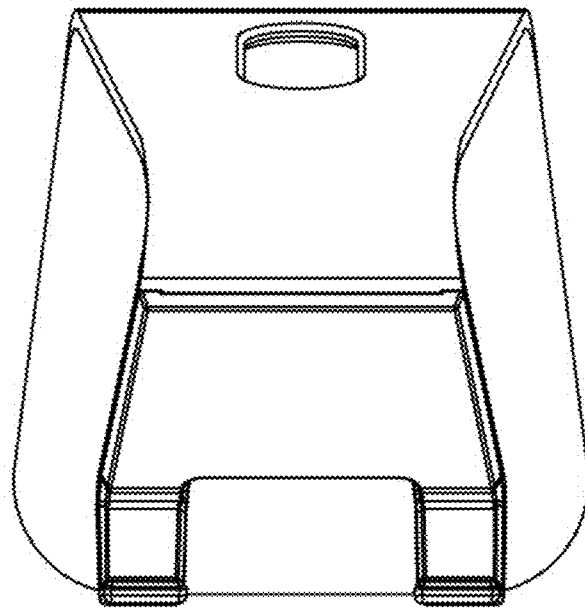




FIG. 8

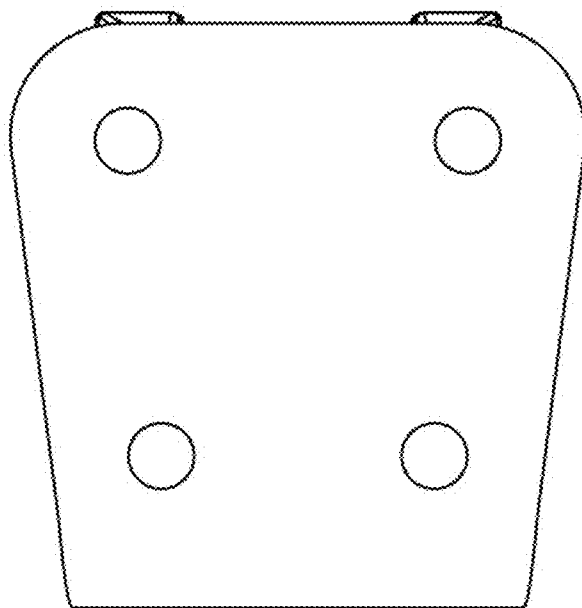


FIG. 9

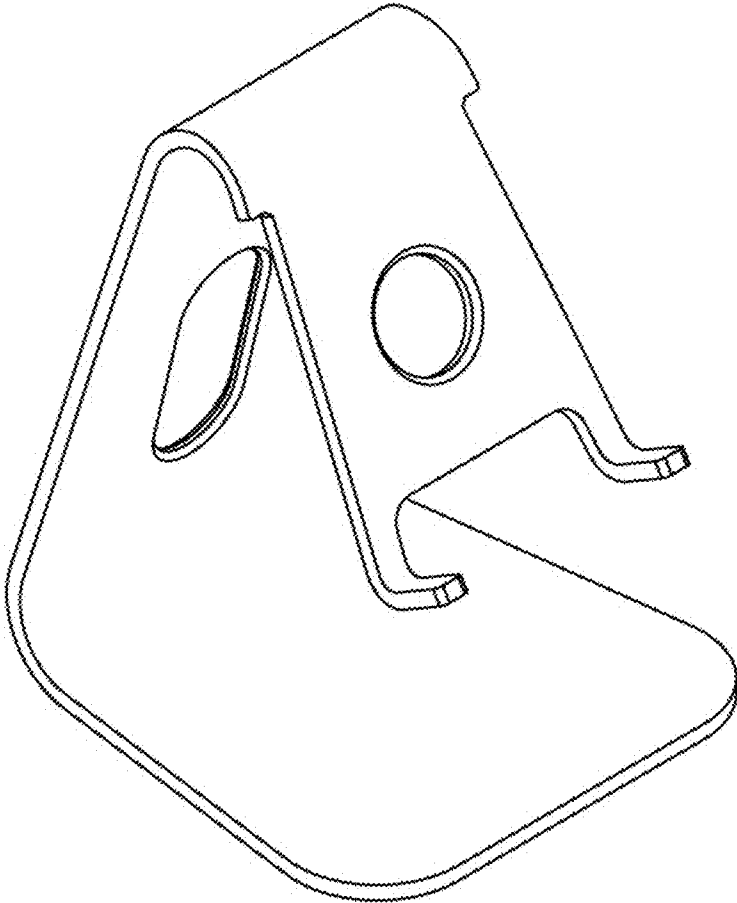


FIG. 10

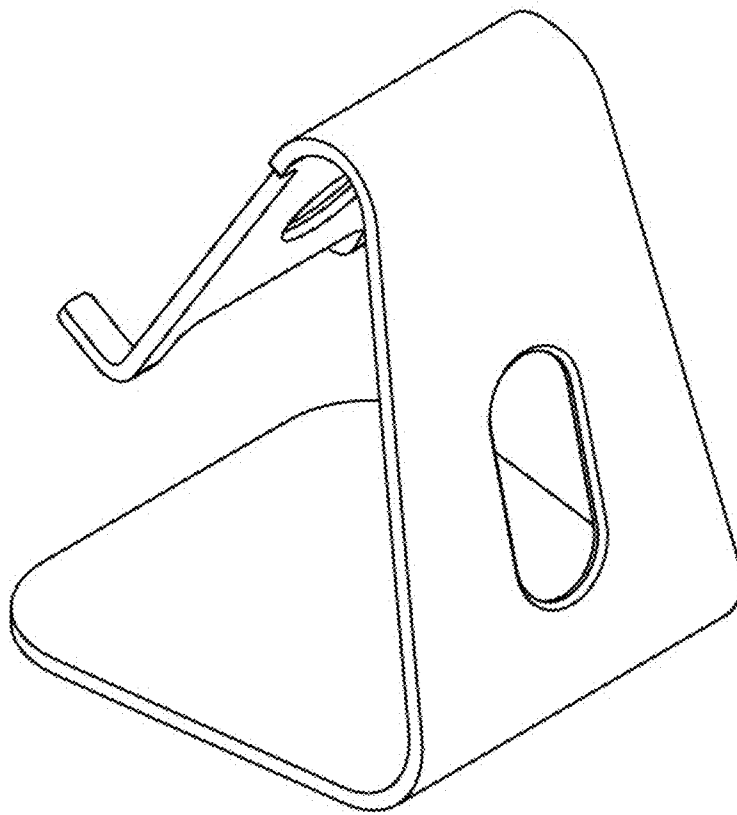


FIG. 11

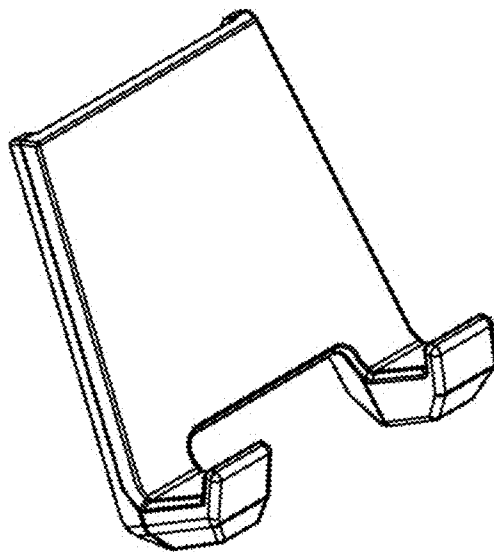


FIG. 12

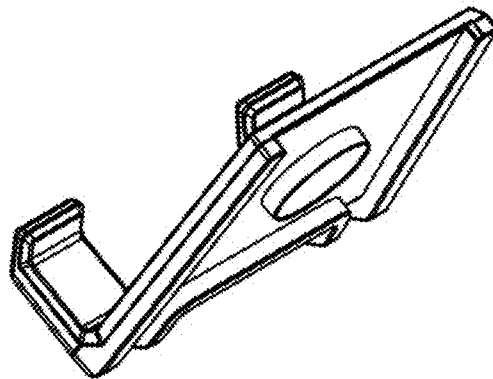


FIG. 13

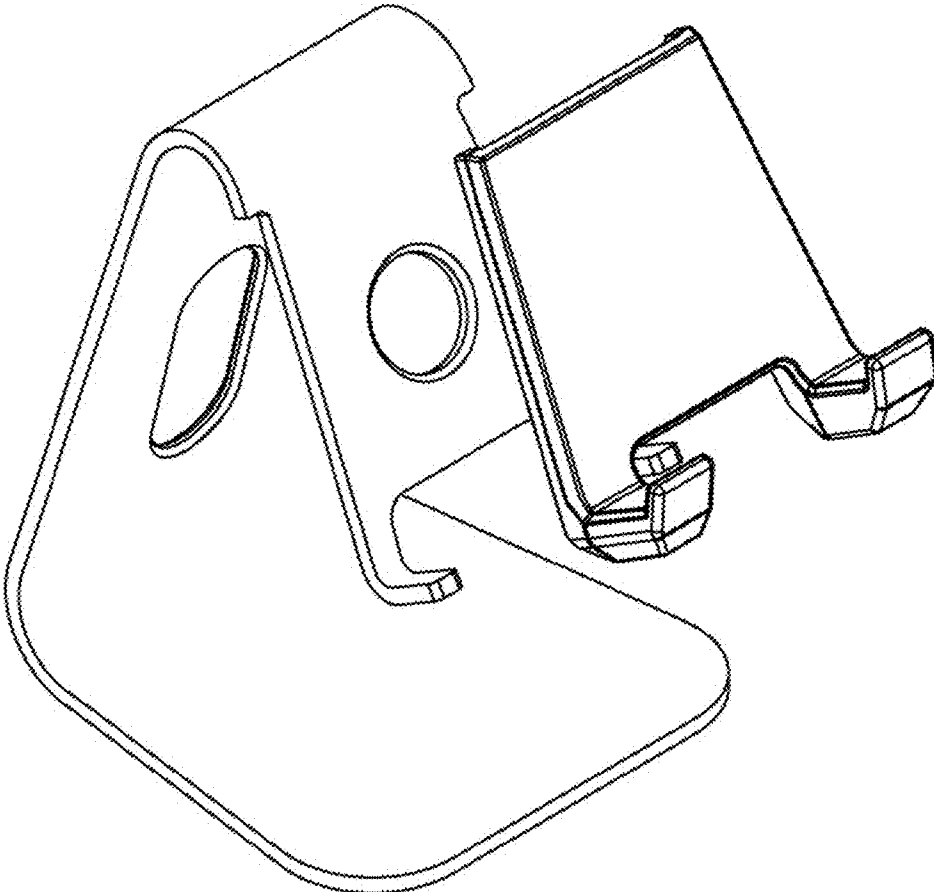


FIG. 14

