



US00D855795S

(12) **United States Design Patent**  
**Ritter, III et al.**

(10) **Patent No.:** **US D855,795 S**  
(45) **Date of Patent:** **\*\* Aug. 6, 2019**

- (54) **REUSABLE T-PIECE RESUSCITATOR**
- (71) Applicant: **MERCURY ENTERPRISES, INC.**,  
Clearwater, FL (US)
- (72) Inventors: **James Russell Ritter, III**, Largo, FL  
(US); **Jeffrey B. Ratner**, Pinellas Park,  
FL (US); **George E. Howe, Jr.**, Largo,  
FL (US)
- (73) Assignee: **Mercury Enterprises, Inc.**, Clearwater,  
FL (US)
- (\*\*) Term: **15 Years**
- (21) Appl. No.: **29/642,062**

D300,271 S	3/1989	Rudolph et al.	
D300,272 S	3/1989	Rudolph et al.	
D305,814 S	1/1990	Fangrow, Jr.	
D355,030 S	1/1995	Baldwin	
5,557,049 A	9/1996	Ratner	
D395,500 S	6/1998	Ryder	
D436,050 S *	1/2001	Ratner	D10/94
6,709,403 B1	3/2004	Ratner	
6,854,334 B2 *	2/2005	Ratner	A61B 5/09 600/532
7,051,596 B1	5/2006	Lau et al.	
7,341,059 B2	3/2008	Moody et al.	
D672,454 S	12/2012	Howe, Jr. et al.	
8,522,618 B1 *	9/2013	Ratner	G01L 7/084 600/487
D748,773 S *	2/2016	Ritter, III	D24/110.6
9,402,781 B2 *	8/2016	Ritter, III	A61H 31/005

- (22) Filed: **Mar. 27, 2018**
- (51) **LOC (12) Cl.** ..... **29-02**
- (52) **U.S. Cl.**
- (58) **Field of Classification Search**  
USPC ... D24/110, 110.4, 110.5, 110.6, 129, 110.1,  
D24/108  
CPC ..... A61M 16/06; A61M 16/0816; A61M  
16/0683; A61M 16/0825; A61M 16/0622;  
A61M 16/0633; A61M 16/0833; A61M  
16/0616; A61M 16/08; A61M 2202/0208;  
A61M 16/0875; A61M 16/208; A61M  
16/0084; A61M 16/0078; A61M 16/20;  
A61M 16/209  
See application file for complete search history.

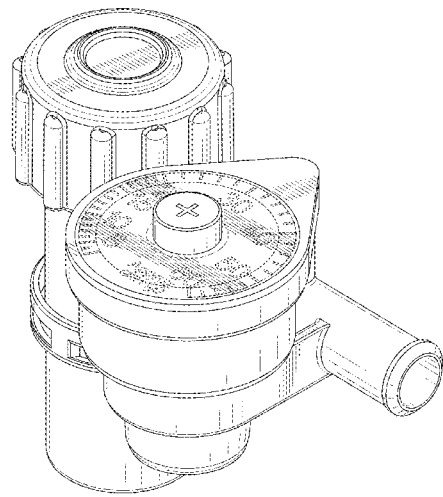
(Continued)  
*Primary Examiner* — Lilyana Bekic  
(74) *Attorney, Agent, or Firm* — Larson & Larson, P.A.;  
Frank Liebenow; Justin P. Miller

(57) **CLAIM**  
The ornamental design for a reusable T-piece resuscitator, as  
shown and described.

**DESCRIPTION**  
FIG. 1 is a rear, right side perspective view of a reusable  
T-piece resuscitator showing our new design;  
FIG. 2 is a rear, left side perspective view thereof;  
FIG. 3 is a left side elevation view thereof;  
FIG. 4 is a right side elevation view thereof;  
FIG. 5 is a top plan view thereof;  
FIG. 6 is a bottom plan view thereof;  
FIG. 7 is a rear elevation view thereof; and,  
FIG. 8 is a front elevation view thereof.  
The broken lines in FIG. 6 depict portions of the reusable  
T-piece resuscitator that form no part of the claimed design.  
The broken lines in FIGS. 1, 2, and 5 depict environment and  
form no part of the claimed design.

- (56) **References Cited**  
U.S. PATENT DOCUMENTS  
2,865,368 A \* 12/1958 Sanborn ..... A61M 16/00  
128/204.25  
D234,637 S 3/1975 Flynn  
4,121,580 A \* 10/1978 Fabish ..... A61M 16/12  
128/205.11  
D300,270 S 3/1989 Rudolph et al.

**1 Claim, 8 Drawing Sheets**



(56)

**References Cited**

U.S. PATENT DOCUMENTS

9,511,202 B1\* 12/2016 Ratner ..... A61M 16/14  
2004/0144179 A1\* 7/2004 Ratner ..... A61B 5/09  
73/715  
2006/0156823 A1\* 7/2006 Lau ..... A61M 16/0078  
73/716  
2010/0206310 A1\* 8/2010 Matsubara ..... A61M 16/208  
128/205.24  
2012/0222677 A1\* 9/2012 Lee ..... A61M 16/0078  
128/205.14  
2013/0074842 A1\* 3/2013 Boucher ..... A61M 16/16  
128/203.16  
2014/0060543 A1\* 3/2014 Howe, Jr. .... A61M 16/10  
128/205.24  
2015/0352001 A1\* 12/2015 Ritter, III ..... A61H 31/005  
601/41  
2016/0346500 A1\* 12/2016 Howe, Jr. .... A61M 16/209

\* cited by examiner

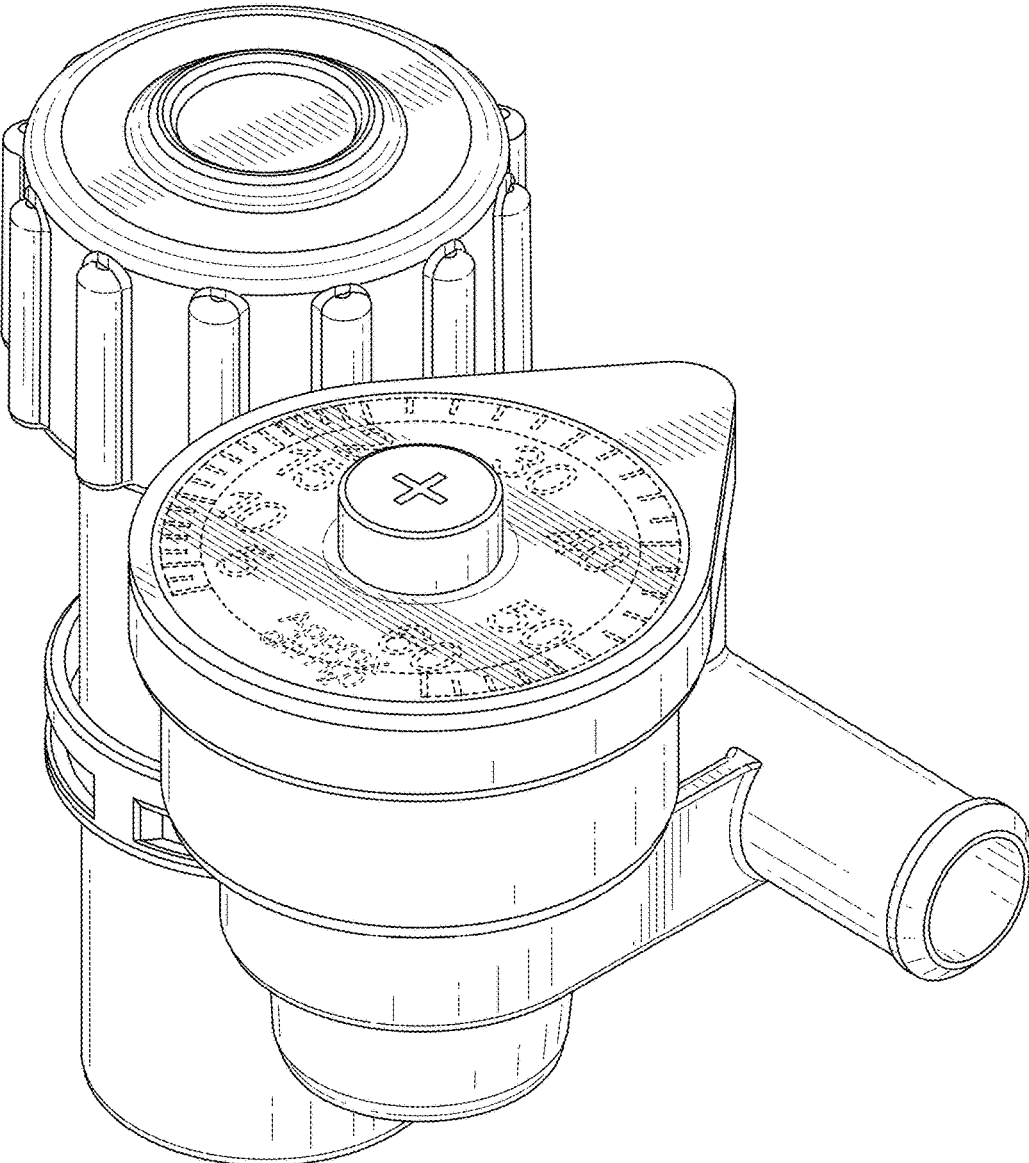


FIG. 1

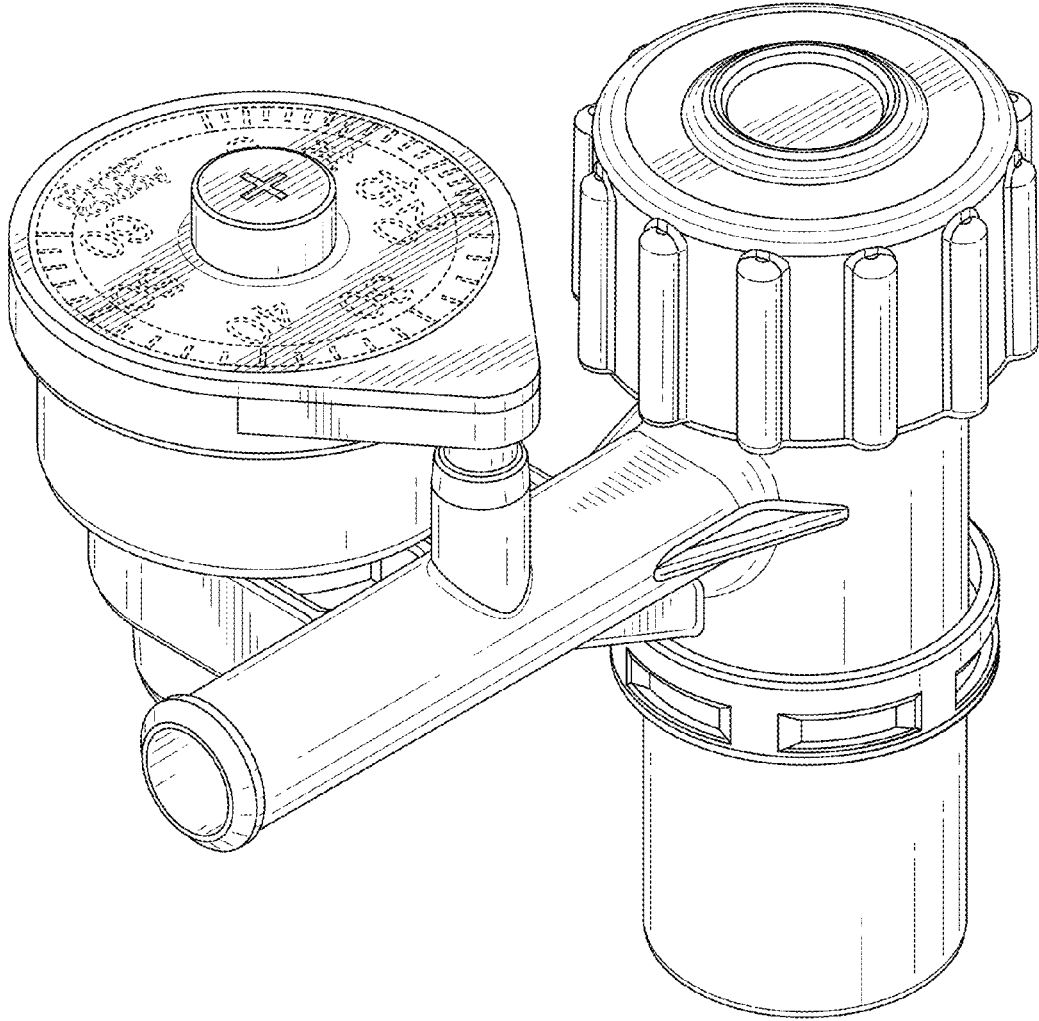


FIG. 2

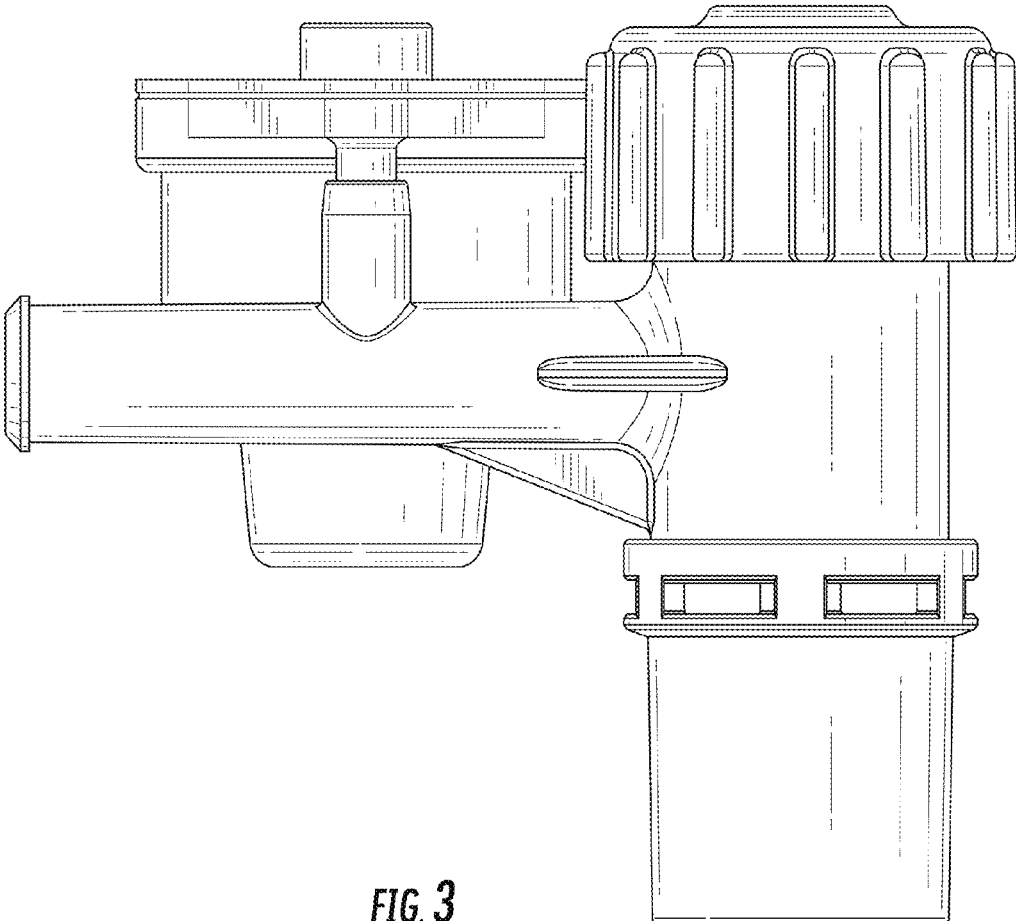


FIG. 3

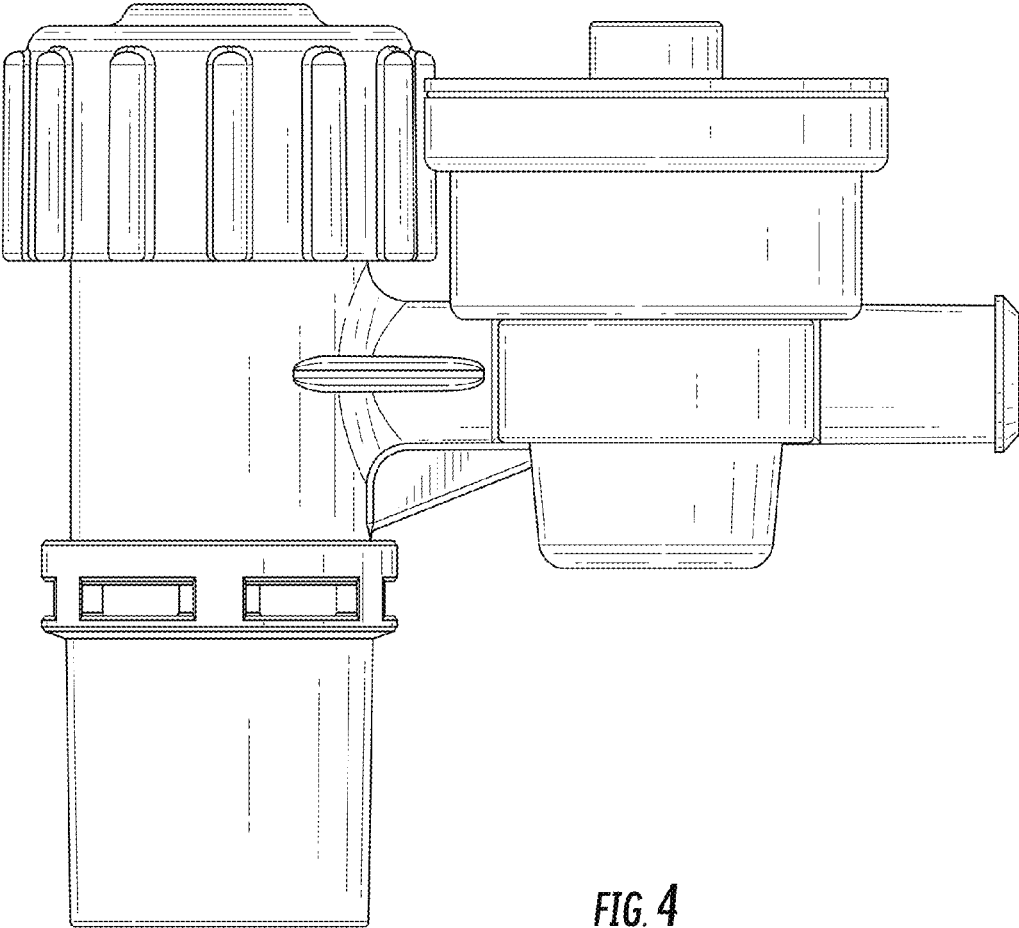


FIG. 4

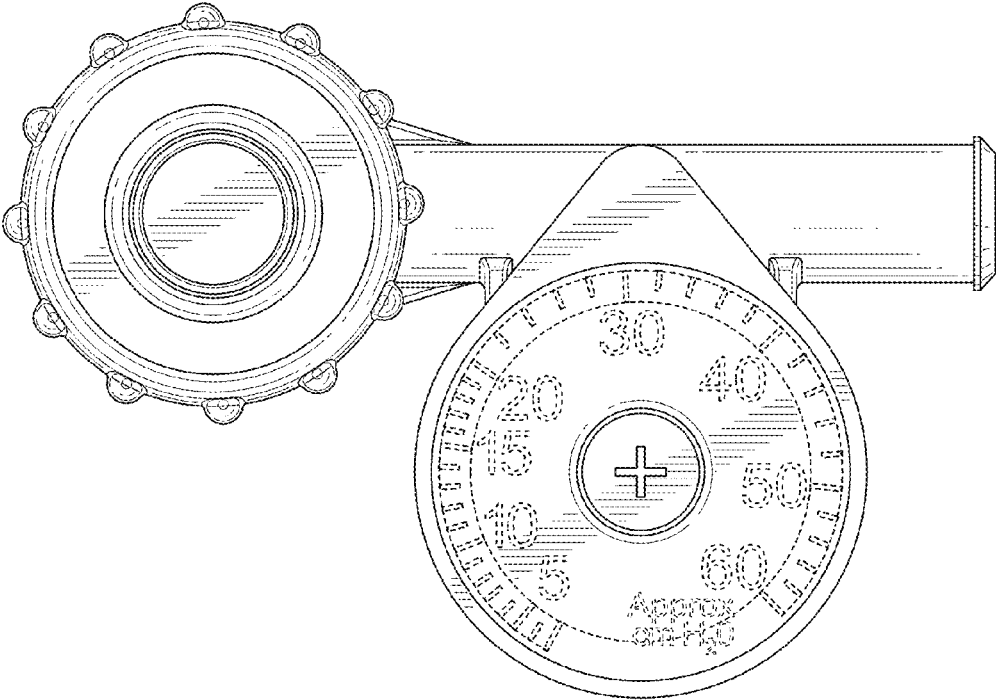


FIG. 5

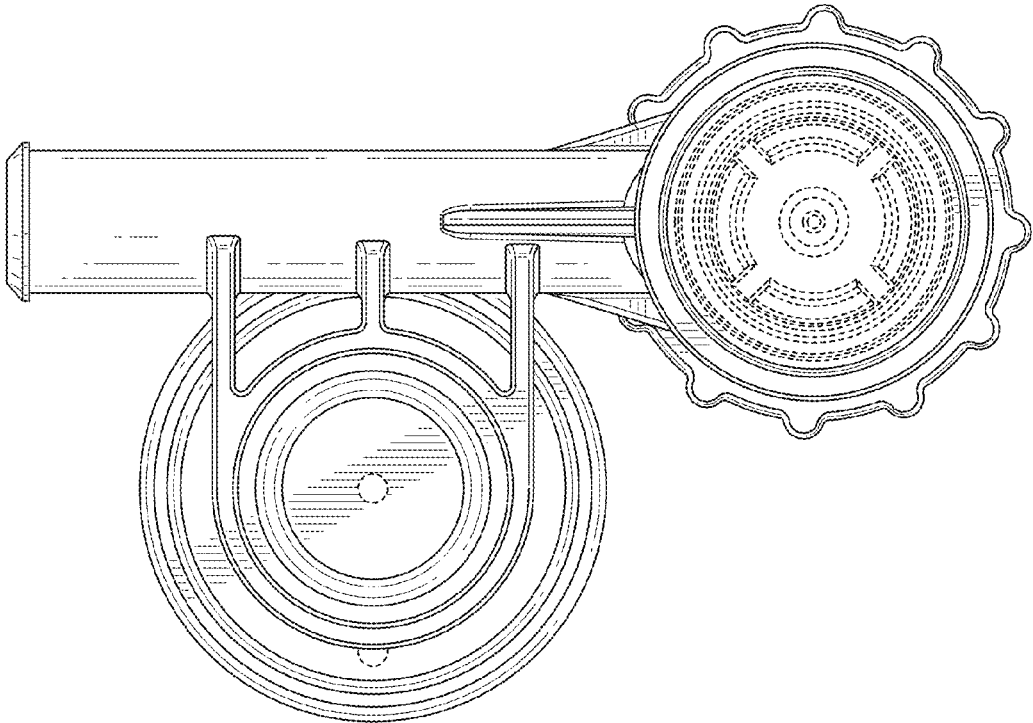


FIG. 6

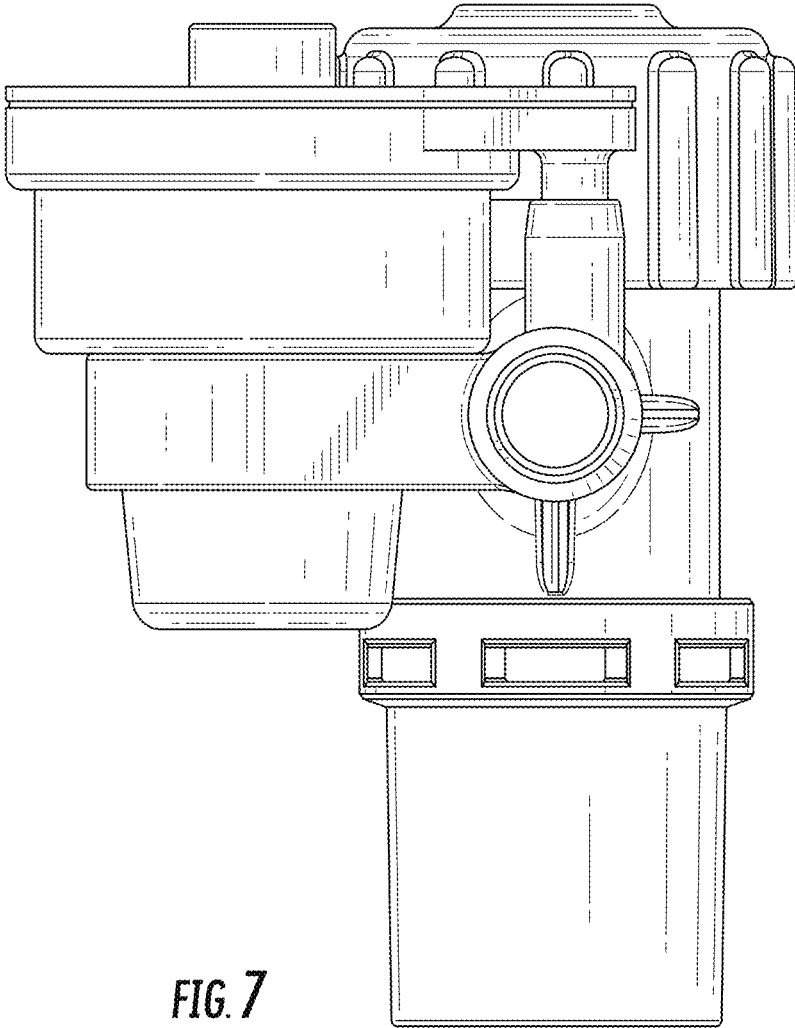


FIG. 7

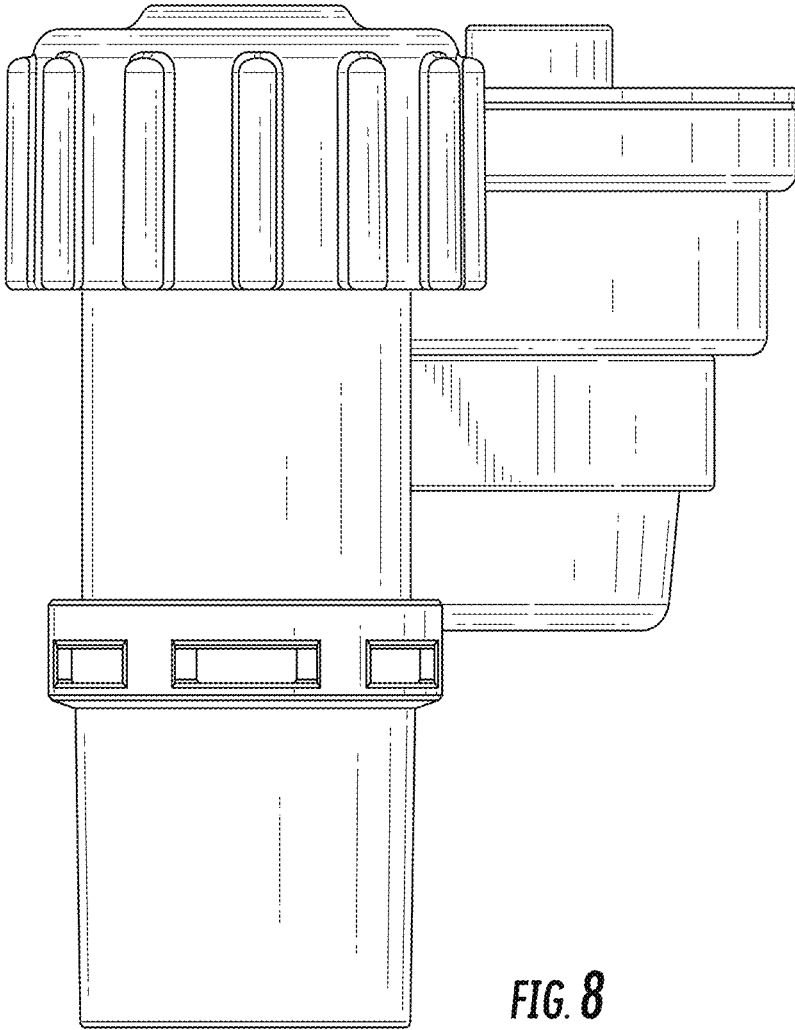


FIG. 8