



US00D736310S

(12) **United States Design Patent**
Han

(10) **Patent No.:** **US D736,310 S**

(45) **Date of Patent:** **** Aug. 11, 2015**

(54) **TONER CARTRIDGE FOR COPY MACHINE**

(71) Applicant: **Samsung Electronics Co., Ltd.**,
Suwon-si, Gyeonggi-do (KR)

(72) Inventor: **Minsu Han**, Suwon-si (KR)

(73) Assignee: **SAMSUNG ELECTRONICS CO., LTD.** (KR)

(**) Term: **14 Years**

(21) Appl. No.: **29/480,411**

(22) Filed: **Jan. 25, 2014**

(30) **Foreign Application Priority Data**

Jul. 25, 2013 (KR) 30-2013-0038447

(51) **LOC (10) Cl.** **16-03**

(52) **U.S. Cl.**
USPC **D18/43**

(58) **Field of Classification Search**
USPC D18/18, 40, 43, 56, 99; D14/309, 332,
D14/471

CPC G03G 15/0832; G03G 15/0834; G03G
15/0836; G03G 15/0837; G03G 15/0867;
G03G 15/0868; G03G 15/0872; G03G
15/0877; G03G 15/0898; G03G 15/50;
G03G 15/5016; G03G 50/60; G03G 15/65;
G03G 2115/0663; G03G 2115/00

See application file for complete search history.

(56) **References Cited**

U.S. PATENT DOCUMENTS

D531,660 S * 11/2006 Ishii et al. D18/43
D531,661 S * 11/2006 Ishii et al. D18/43
D588,190 S * 3/2009 Kamimura et al. D18/43

D596,663 S * 7/2009 Kamimura et al. D18/43
D637,225 S * 5/2011 Kishi et al. D18/43
D638,052 S * 5/2011 Sato et al. D18/43
D638,057 S * 5/2011 Kanno et al. D18/43
D639,846 S * 6/2011 Kanno et al. D18/43
D693,399 S * 11/2013 Sim et al. D18/43
D694,816 S * 12/2013 Fukamachi et al. D18/43
8,643,690 B2 * 2/2014 Takagi 347/263
2013/0170844 A1 * 7/2013 Itabashi 399/12

* cited by examiner

Primary Examiner — Eric Goodman

Assistant Examiner — Amy Wierenga

(74) *Attorney, Agent, or Firm* — Cantor Colburn LLP

(57) **CLAIM**

I claim, the ornamental design for a toner cartridge for copy machine, as shown and described.

DESCRIPTION

FIG. 1 is a front perspective view of a toner cartridge for copy machine showing my new design;

FIG. 2 is a front elevation view thereof;

FIG. 3 is a rear elevation view thereof;

FIG. 4 is a left side elevation view thereof;

FIG. 5 is a right side elevation view thereof;

FIG. 6 is a top plan view thereof;

FIG. 7 is a bottom plan view thereof; and,

FIG. 8 is an enlarged view of the encircled portion 8 in FIG. 1.

The broken lines illustrating portions of the toner cartridge for copy machine are for environmental purpose only and form no part of the claimed design. The shade lines in the figures show shape contour and not surface ornamentation. The dot dash lines encircle portions of the claimed design that are illustrated in different magnifications and form no part of the claimed design.

1 Claim, 8 Drawing Sheets

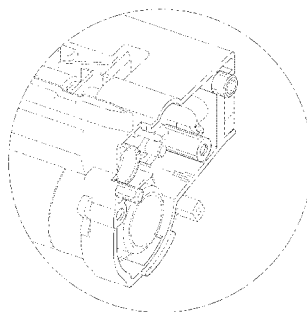
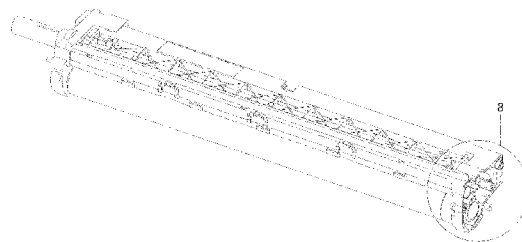


FIG.1

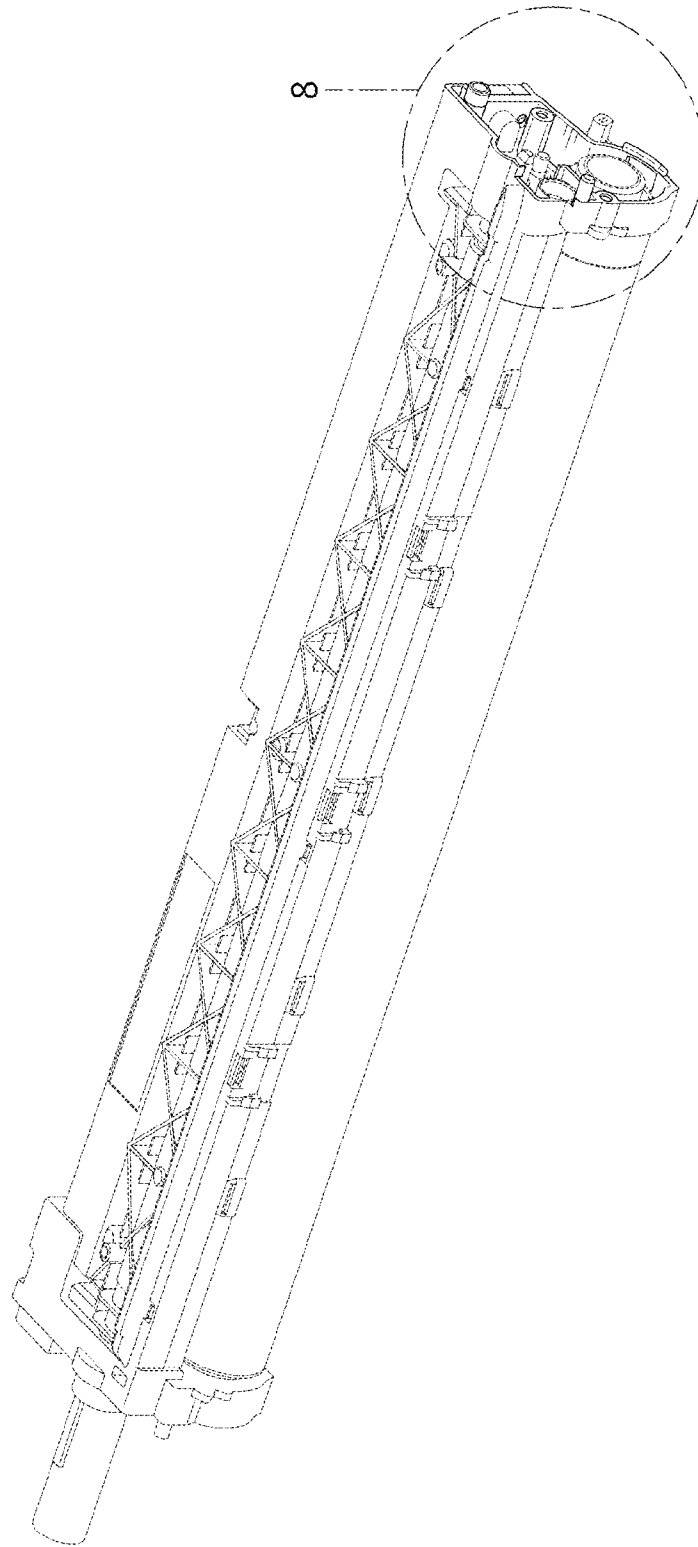


FIG.2

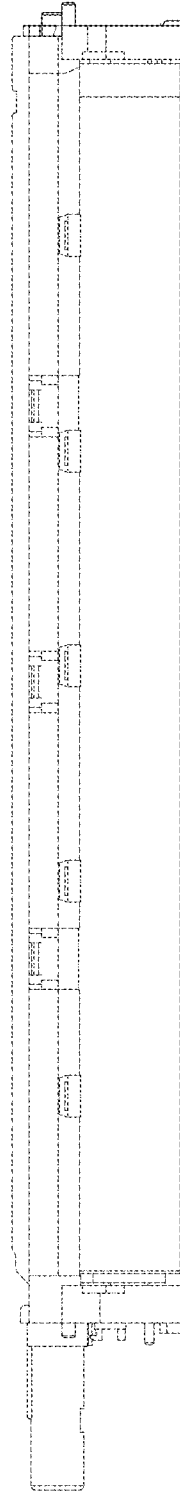


FIG.3

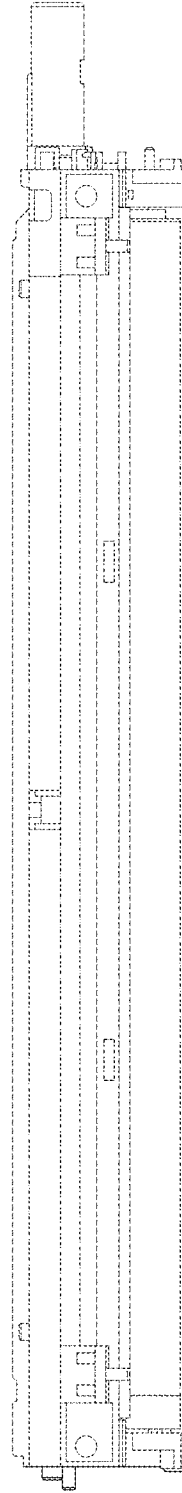


FIG.4

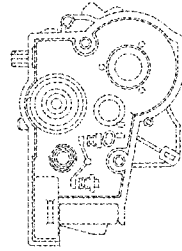


FIG.5

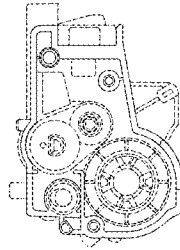


FIG.6

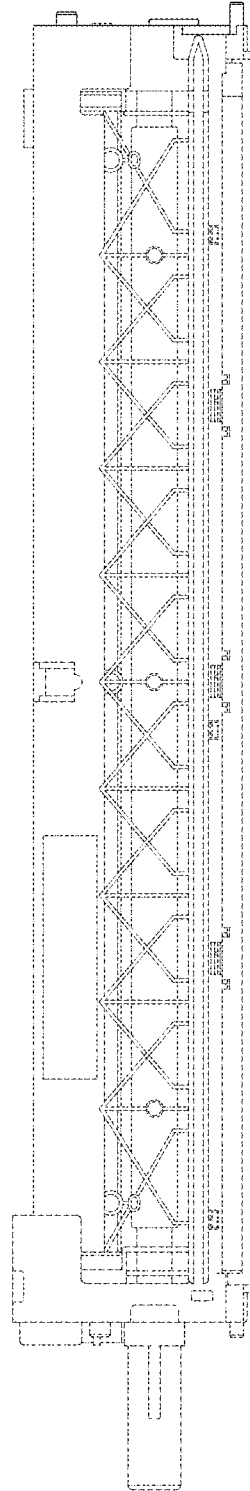


FIG. 7

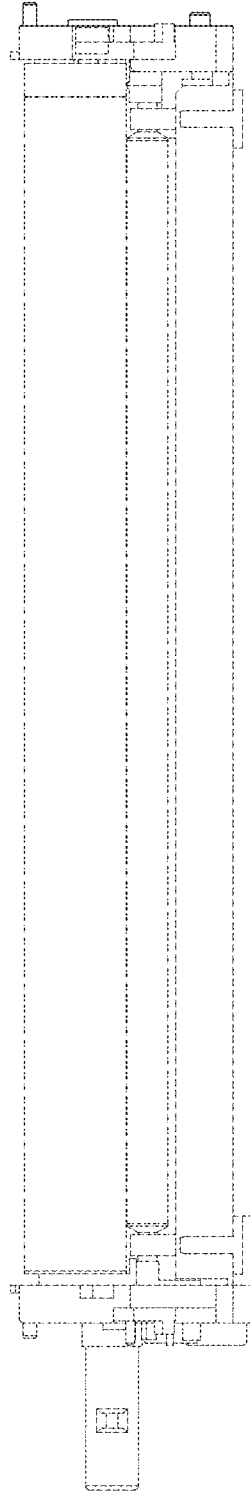


FIG. 8

