



US00D403734S

United States Patent [19]
Kay

[11] **Patent Number:** **Des. 403,734**
[45] **Date of Patent:** ****Jan. 5, 1999**

[54] **TACTICAL GUNSIGHT**

[57] **CLAIM**

[76] Inventor: **Ira M. Kay**, 7553 Gary Rd., Manassas, Va. 20109

The ornamental design for a tactical gunsight, as shown.

[**] Term: **14 Years**

DESCRIPTION

[21] Appl. No.: **71,031**

FIG. 1 is a perspective view of a tactical gunsight showing my new design;

[22] Filed: **May 19, 1997**

FIG. 2 is a side elevational view of FIG. 1;

[51] **LOC (6) Cl.** **22-01**

FIG. 3 is a top plan view of FIG. 1;

[52] **U.S. Cl.** **D22/109; D22/110; D22/108**

FIG. 4 is a bottom view of FIG. 1;

[58] **Field of Search** **D22/100, 108, D22/109, 110, 199; 33/241, 252, 256, 257; 42/100, 102**

FIG. 5 is a cross-sectional view taken along line 5—5 of FIG. 3;

FIG. 6 is a rear view of FIG. 1;

[56] **References Cited**

U.S. PATENT DOCUMENTS

D. 273,217	3/1984	Swenson	D22/109
D. 296,227	6/1988	Novak	D22/109
D. 301,512	6/1989	Novak	D22/109
D. 305,561	1/1990	Novak	D22/109
D. 351,449	10/1994	Dagley	D22/109
D. 352,087	11/1994	Stevens et al.	D22/109
2,345,801	4/1944	Ferrel	33/241

FIG. 7 is a perspective view of another embodiment of a tactical gunsight showing my new design;

FIG. 8 is a rear elevational view of FIG. 7;

FIG. 9 is a perspective view of yet another embodiment of a tactical gunsight showing my new design;

FIG. 10 is an elevational rear view of FIG. 9;

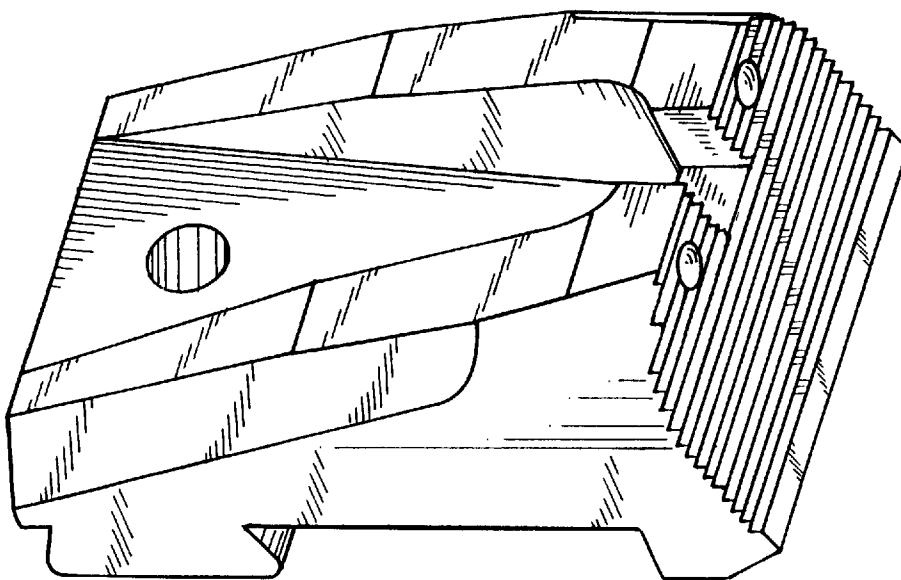
FIG. 11 is still another embodiment of a tactical gunsight showing my new design; and,

FIG. 12 is a rear elevational view of FIG. 11.

The rear views of FIGS. 7, 9, and 11, represent the second through fourth embodiments of the design with all other views being the same as that shown in the first embodiment, FIGS. 1-6.

Primary Examiner—Louis S. Zarfes
Assistant Examiner—Monica A. Weingart
Attorney, Agent, or Firm—Shlesinger Arkwright & Garvey LLP

1 Claim, 6 Drawing Sheets



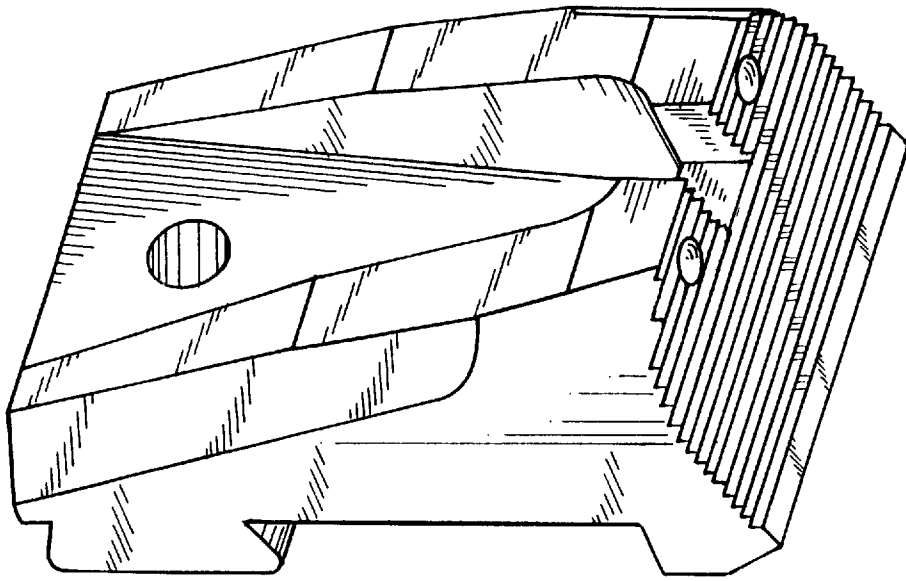


FIG. 1

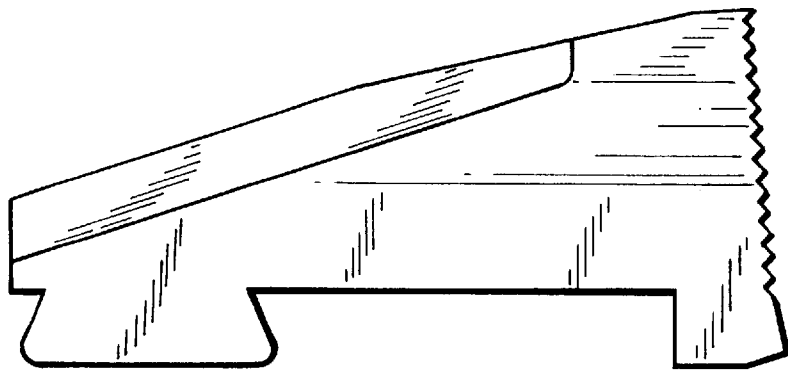


FIG. 2

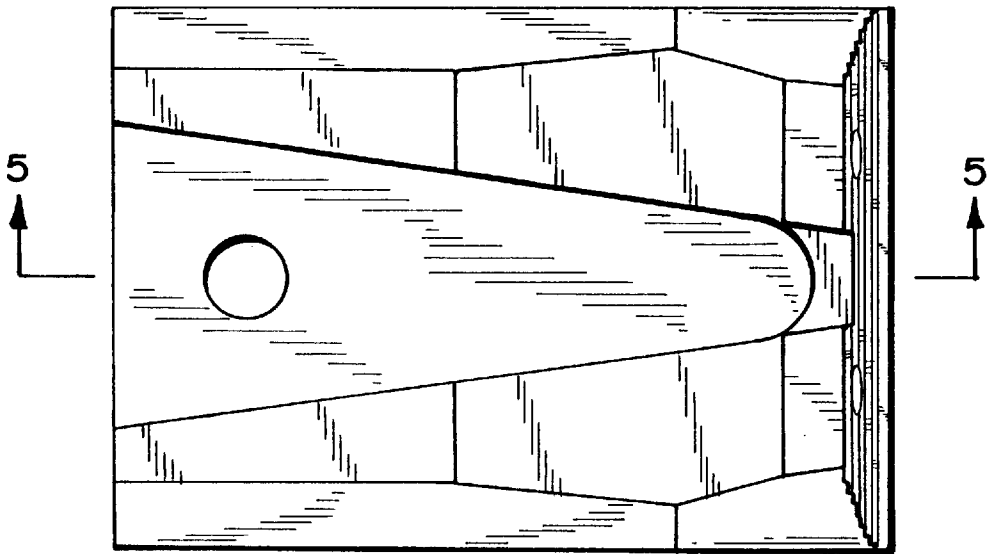


FIG. 3

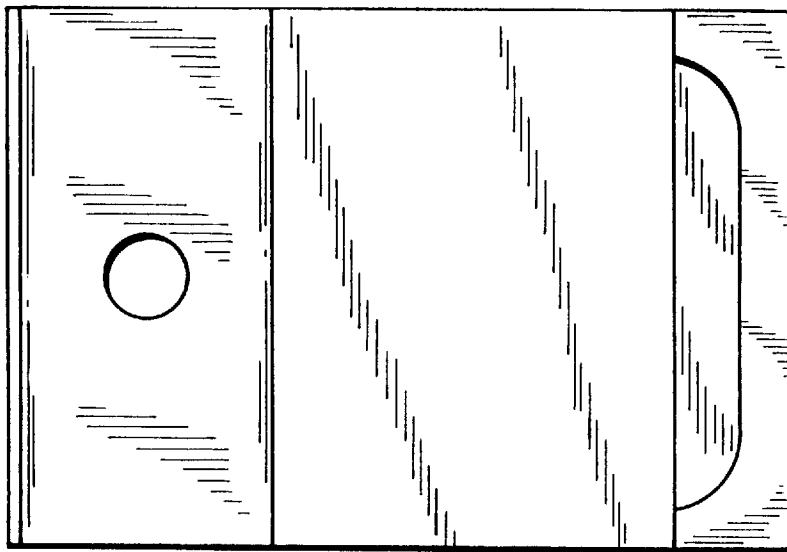


FIG. 4

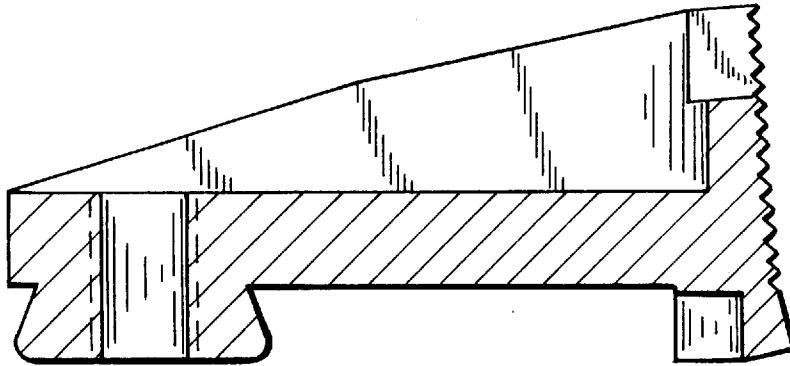


FIG. 5

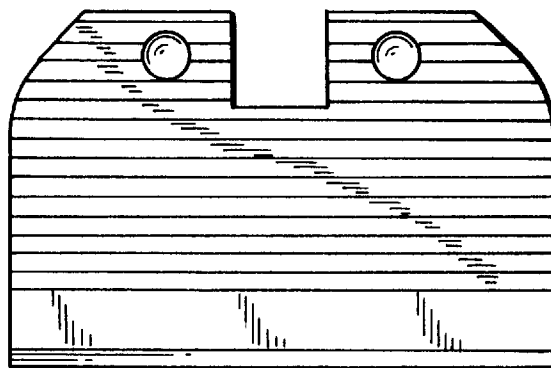


FIG. 6

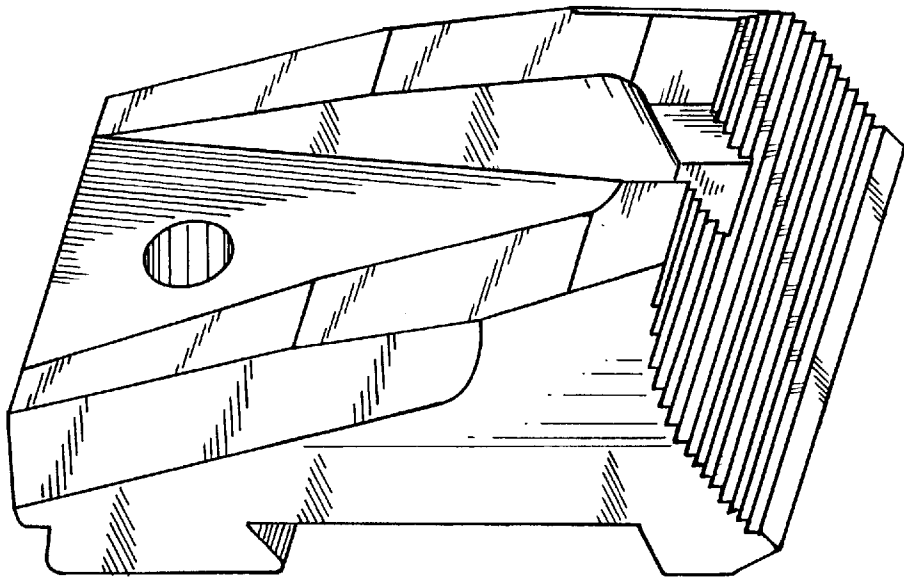


FIG. 7

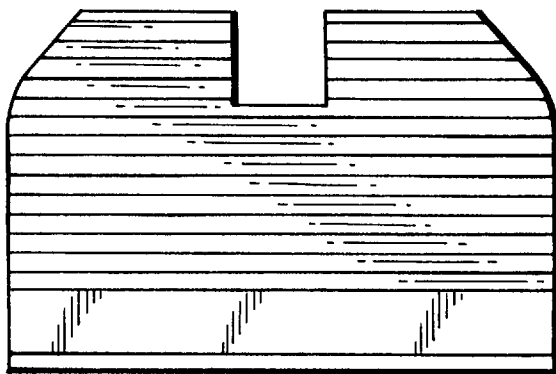


FIG. 8

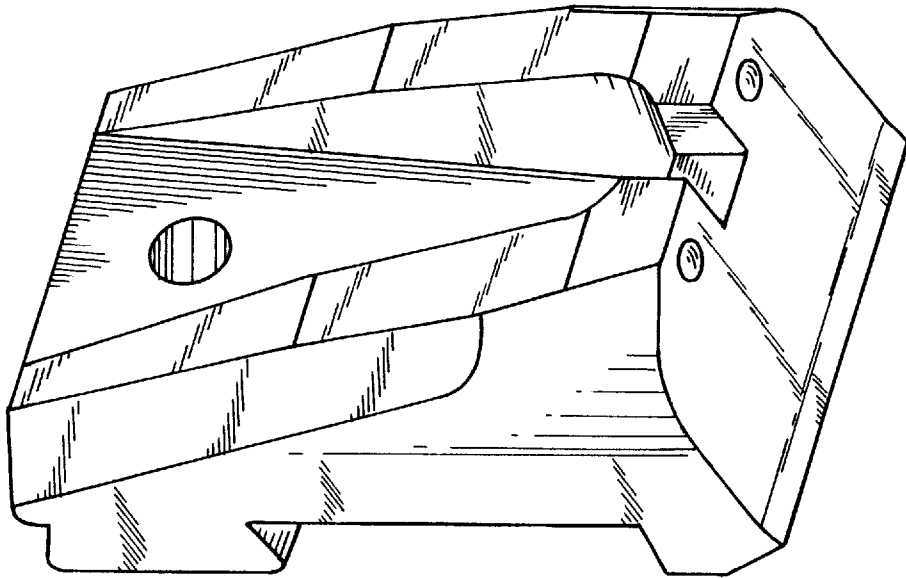


FIG. 9

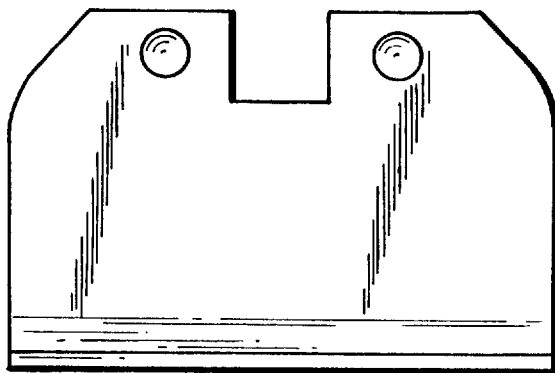


FIG. 10

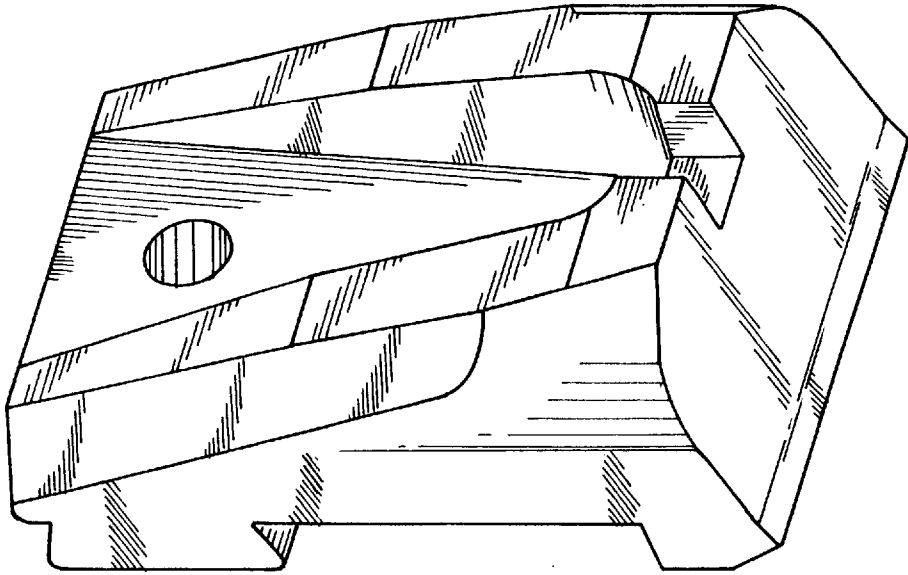


FIG. 11

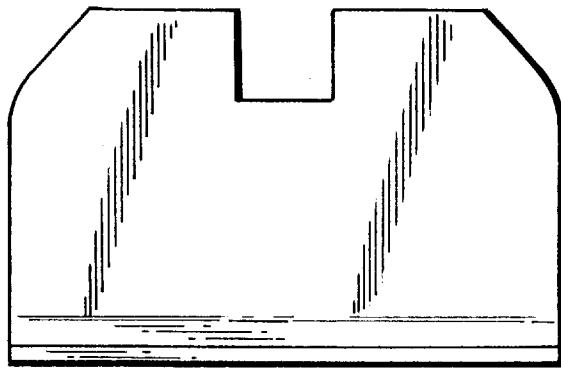


FIG. 12