

(19) World Intellectual Property Organization
International Bureau



(43) International Publication Date
23 May 2002 (23.05.2002)

PCT

(10) International Publication Number
WO 02/041671 A3

(51) International Patent Classification⁷: H05B 37/02, 41/36, 41/392

(74) Agent: BOSMA, Rudolphus, H., A.; Internationaal Octroibureau B.V., Prof Holstlaan 6, NL-5656 AA Eindhoven (NL).

(21) International Application Number: PCT/EP01/13108

(81) Designated States (national): CN, JP.

(22) International Filing Date:
9 November 2001 (09.11.2001)

(84) Designated States (regional): European patent (AT, BE, CH, CY, DE, DK, ES, FI, FR, GB, GR, IE, IT, LU, MC, NL, PT, SE, TR).

(25) Filing Language: English

(26) Publication Language: English

Published:
— with international search report

(30) Priority Data:
09/713,185 15 November 2000 (15.11.2000) US

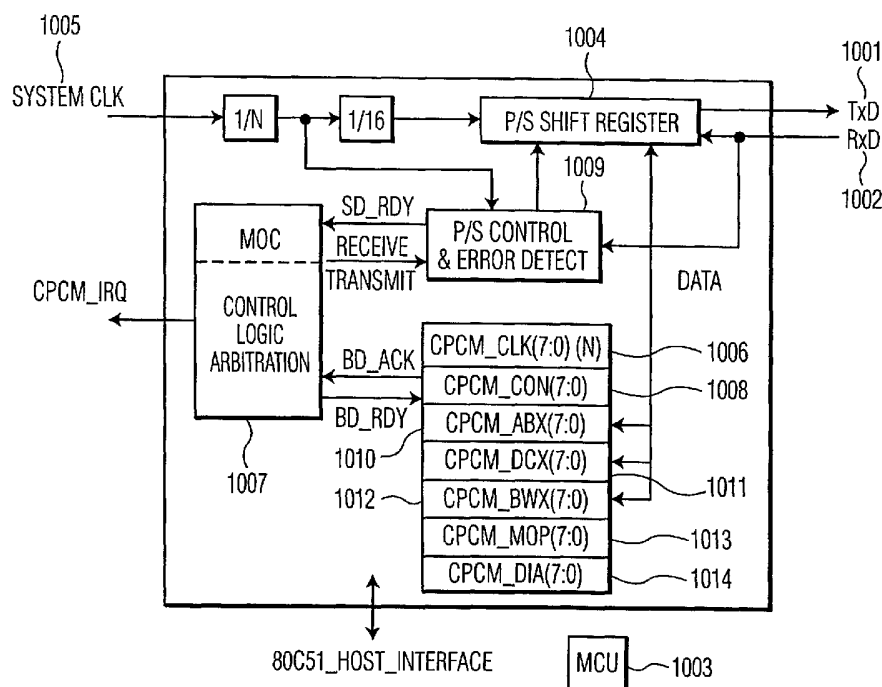
(71) Applicant: KONINKLIJKE PHILIPS ELECTRONICS N.V. [NL/NL]; Groenewoudseweg 1, NL-5621 BA Eindhoven (NL).

(88) Date of publication of the international search report:
7 November 2002

(72) Inventor: WANG, Shenghong; Prof. Holstlaan 6, NL-5656 AA Eindhoven (NL).

For two-letter codes and other abbreviations, refer to the "Guidance Notes on Codes and Abbreviations" appearing at the beginning of each regular issue of the PCT Gazette.

(54) Title: PROTOCOL ENHANCEMENT FOR LIGHTING CONTROL NETWORKS AND COMMUNICATIONS INTERFACE FOR SAME



(57) Abstract: An enhanced protocol for enabling manual control of electronic ballasts in lighting control networks which are compliant with the DALI standard, as well as a communications interface apparatus for such a ballast for decoding both the standard DALI messages, as well as the manual control messages available in the enhanced protocol of the present invention are presented.



WO 02/041671 A3

INTERNATIONAL SEARCH REPORT

Int. Application No
PCT/EP 01/13108

A. CLASSIFICATION OF SUBJECT MATTER
IPC 7 H05B37/02 H05B41/36 H05B41/392

According to International Patent Classification (IPC) or to both national classification and IPC

B. FIELDS SEARCHED

Minimum documentation searched (classification system followed by classification symbols)
IPC 7 H05B

Documentation searched other than minimum documentation to the extent that such documents are included in the fields searched

Electronic data base consulted during the international search (name of data base and, where practical, search terms used)

EPO-Internal

C. DOCUMENTS CONSIDERED TO BE RELEVANT

Category °	Citation of document, with indication, where appropriate, of the relevant passages	Relevant to claim No.
A	US 5 357 170 A (LUCHACO DAVID G ET AL) 18 October 1994 (1994-10-18) ---	
A	WO 00 54557 A (POWER CIRCUIT INNOVATIONS INC) 14 September 2000 (2000-09-14) -----	

Further documents are listed in the continuation of box C.

Patent family members are listed in annex.

° Special categories of cited documents :

- *A* document defining the general state of the art which is not considered to be of particular relevance
- *E* earlier document but published on or after the international filing date
- *L* document which may throw doubts on priority claim(s) or which is cited to establish the publication date of another citation or other special reason (as specified)
- *O* document referring to an oral disclosure, use, exhibition or other means
- *P* document published prior to the international filing date but later than the priority date claimed

- *T* later document published after the international filing date or priority date and not in conflict with the application but cited to understand the principle or theory underlying the invention
- *X* document of particular relevance; the claimed invention cannot be considered novel or cannot be considered to involve an inventive step when the document is taken alone
- *Y* document of particular relevance; the claimed invention cannot be considered to involve an inventive step when the document is combined with one or more other such documents, such combination being obvious to a person skilled in the art.
- *&* document member of the same patent family

Date of the actual completion of the international search

26 July 2002

Date of mailing of the international search report

01/08/2002

Name and mailing address of the ISA

European Patent Office, P.B. 5818 Patentlaan 2
NL - 2280 HV Rijswijk
Tel. (+31-70) 340-2040, Tx. 31 651 epo nl,
Fax: (+31-70) 340-3016

Authorized officer

Maicas, J.

INTERNATIONAL SEARCH REPORT

Information on patent family members

International Application No
PCT/EP 01/13108

Patent document cited in search report		Publication date	Patent family member(s)	Publication date
US 5357170	A	18-10-1994	NONE	
WO 0054557	A	14-09-2000	AU 3875100 A	28-09-2000
			CN 1343439 T	03-04-2002
			EP 1161853 A1	12-12-2001
			WO 0054557 A1	14-09-2000
			US 6400103 B1	04-06-2002