



US00D649481S

(12) **United States Design Patent**
Crocco

(10) **Patent No.:** **US D649,481 S**

(45) **Date of Patent:** **** Nov. 29, 2011**

(54) **WRISTWATCH**

(75) Inventor: **Carlo Crocco**, Lugano (CH)

(73) Assignee: **Hublot SA, Geneve**, Gevena (CH)

(**) Term: **14 Years**

(21) Appl. No.: **29/319,668**

(22) Filed: **Jun. 12, 2008**

(30) **Foreign Application Priority Data**

Apr. 16, 2008 (CH) 134901

(51) **LOC (9) Cl.** **10-02**

(52) **U.S. Cl.** **D10/39**

(58) **Field of Classification Search** D10/30-39,
D10/123-126; 368/276, 281, 282, 285, 80,
368/223, 228, 232

See application file for complete search history.

(56) **References Cited**

U.S. PATENT DOCUMENTS

2,361,563	A	*	10/1944	Pellaton	368/80
D178,771	S	*	9/1956	Doerwald	D10/39
D283,401	S	*	4/1986	Lung	D10/30
D323,784	S	*	2/1992	Gueit	D10/32
D365,526	S	*	12/1995	Gardner	D10/39
D367,616	S	*	3/1996	Dobashi et al.	D10/30
D390,791	S	*	2/1998	Kubisch	D10/39
D494,478	S	*	8/2004	Arabov	D10/39
6,826,122	B2	*	11/2004	Zaugg	368/28
D505,342	S	*	5/2005	Hayek	D10/39
D508,653	S	*	8/2005	Roden	D10/32
D530,628	S	*	10/2006	Raffy	D10/32

D539,669	S	*	4/2007	Vaptzarof	D10/31
D539,674	S	*	4/2007	Vaptzarof	D10/38
D540,197	S	*	4/2007	Pasternak et al.	D10/32
D543,872	S	*	6/2007	Garcia	D10/38
D546,223	S	*	7/2007	Nataf	D10/126
D547,211	S	*	7/2007	Dias	D10/39
D559,124	S	*	1/2008	Modolo	D10/32
D559,131	S	*	1/2008	Laucella	D10/39
D568,180	S	*	5/2008	Laucella	D10/39
D570,230	S	*	6/2008	Monachon	D10/32
D573,486	S	*	7/2008	Sanz	D10/38
D579,793	S	*	11/2008	Hayek	D10/39
D580,278	S	*	11/2008	Hegi	D10/32
D582,793	S	*	12/2008	Lalo	D10/38

* cited by examiner

Primary Examiner — Lucy Lieberman

(74) *Attorney, Agent, or Firm* — Sughrue Mion, PLLC

(57) **CLAIM**

The ornamental design for a wristwatch, as shown and described.

DESCRIPTION

FIG. 1 is a front elevational view of a wristwatch showing my new design;

FIG. 2 is a perspective view of the front and right side thereof;

FIG. 3 is a perspective view of the rear and right side thereof;

FIG. 4 is a rear elevational view thereof;

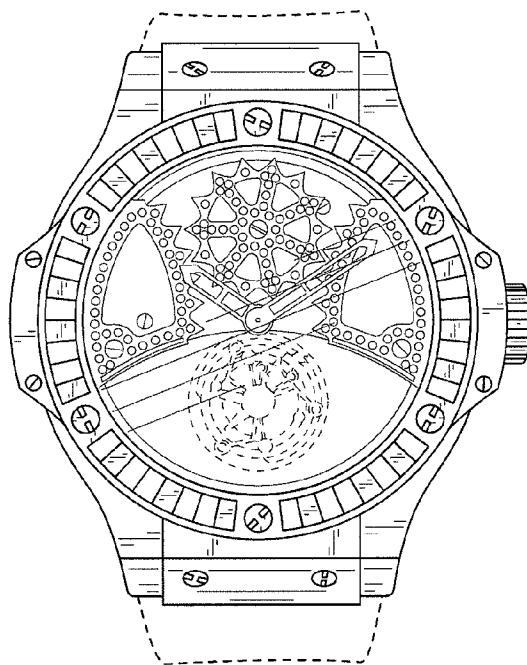
FIG. 5 is a right side elevational view thereof;

FIG. 6 is a top view thereof; and,

FIG. 7 is a bottom view thereof.

The broken lines are used in the drawings to show portions of the wristwatch that do not form part of the claimed design.

1 Claim, 4 Drawing Sheets



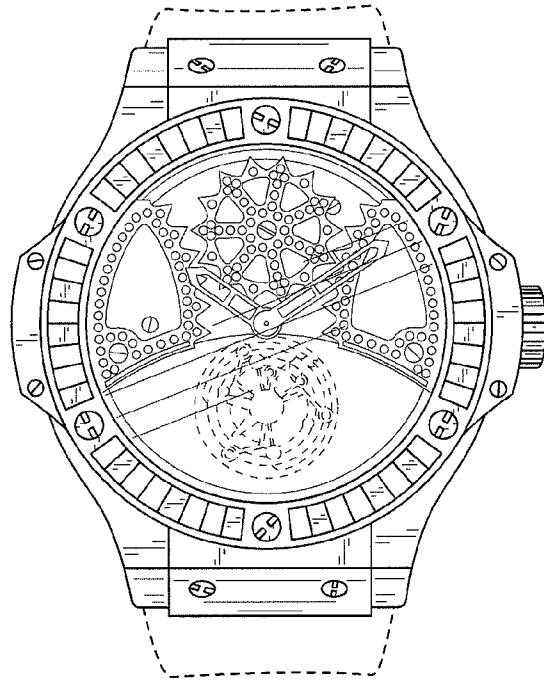


FIG. 1

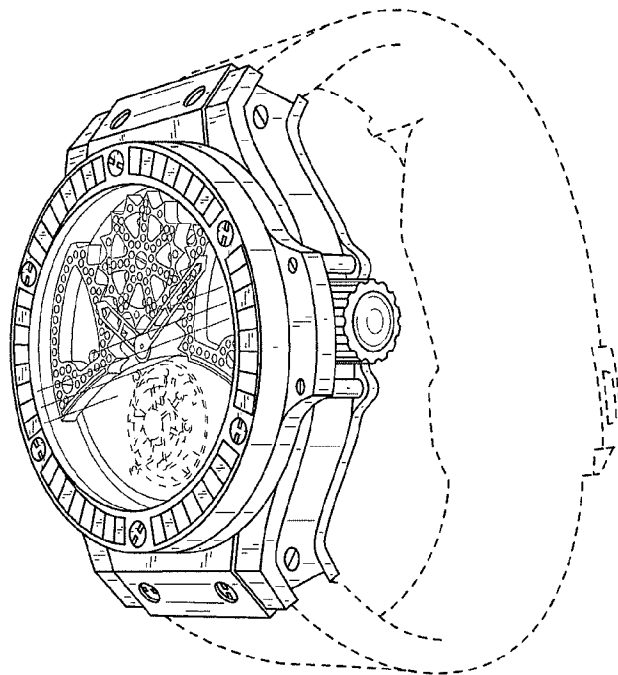


FIG. 2

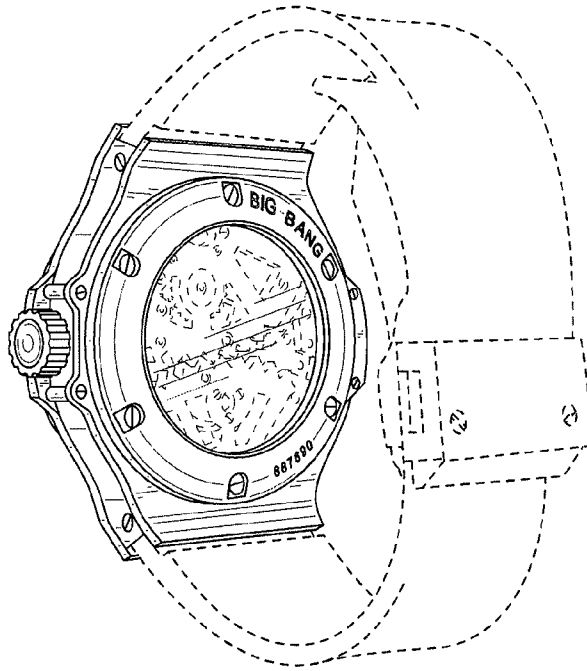


FIG. 3

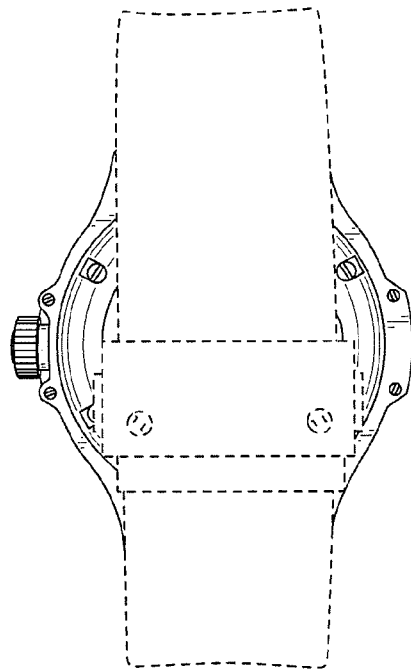


FIG. 4

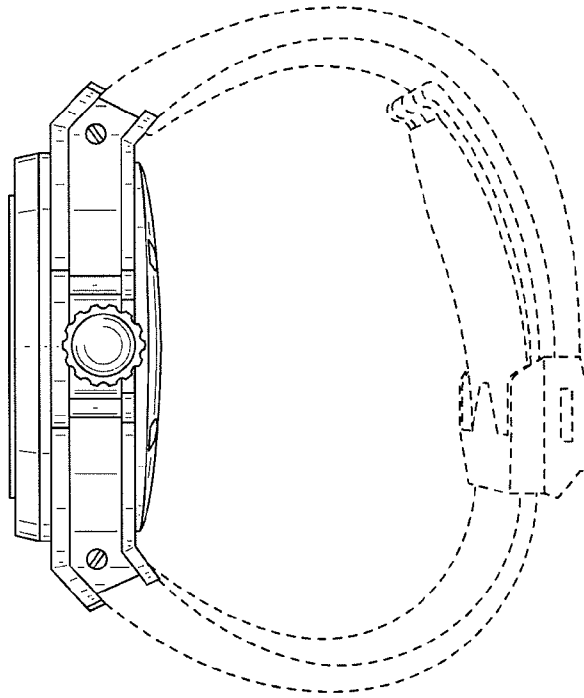


FIG. 5

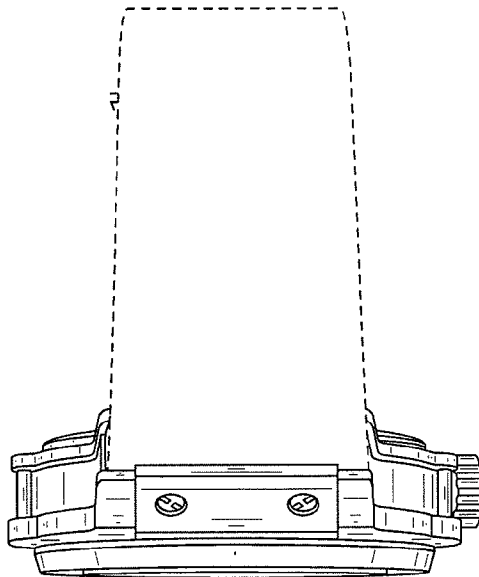


FIG. 6

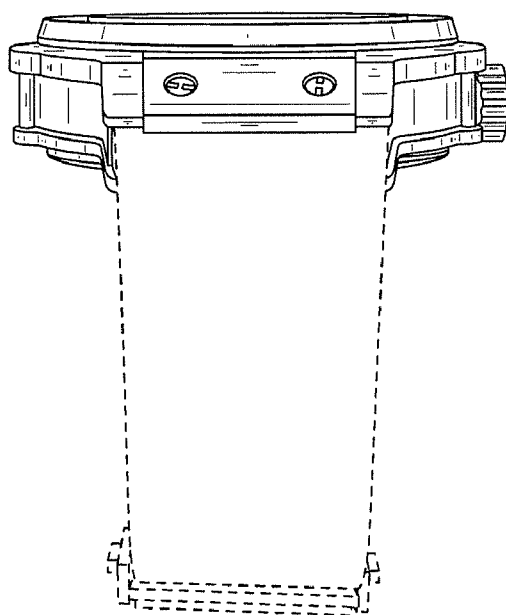


FIG. 7