

(19) World Intellectual Property Organization
International Bureau



(43) International Publication Date
13 September 2007 (13.09.2007)

PCT

(10) International Publication Number
WO 2007/103371 A3

(51) International Patent Classification:
F16K 11/044 (2006.01)

80829 (US). QUINLAN, John, Matthew [US/US]; 429
Garfield Street, Fort Collins, CO 80524 (US).

(21) International Application Number:
PCT/US2007/005692

(74) Agent: BLAKELY, Roger, W., Jr.; Blakely, Sokoloff,
Taylor & Zafman, 12400 Wilshire Blvd., 7th Floor, Los
Angeles, CA 90025-1026 (US).

(22) International Filing Date: 6 March 2007 (06.03.2007)

(25) Filing Language: English

(81) Designated States (unless otherwise indicated, for every
kind of national protection available): AE, AG, AL, AM,
AT, AU, AZ, BA, BB, BG, BR, BW, BY, BZ, CA, CH, CN,
CO, CR, CU, CZ, DE, DK, DM, DZ, EC, EE, EG, ES, FI,
GB, GD, GE, GH, GM, GT, HN, HR, HU, ID, IL, IN, IS,
JP, KE, KG, KM, KN, KP, KR, KZ, LA, LC, LK, LR, LS,
LT, LU, LY, MA, MD, MG, MK, MN, MW, MX, MY, MZ,
NA, NG, NI, NO, NZ, OM, PG, PH, PL, PT, RO, RS, RU,
SC, SD, SE, SG, SK, SL, SM, SV, SY, TJ, TM, TN, TR,
TT, TZ, UA, UG, US, UZ, VC, VN, ZA, ZM, ZW.

(26) Publication Language: English

(30) Priority Data:
60/779,621 6 March 2006 (06.03.2006) US

(71) Applicant (for all designated States except US): STUR-
MAN INDUSTRIES, INC. [US/US]; One Innovation
Way, Woodland Park, CO 80863 (US).

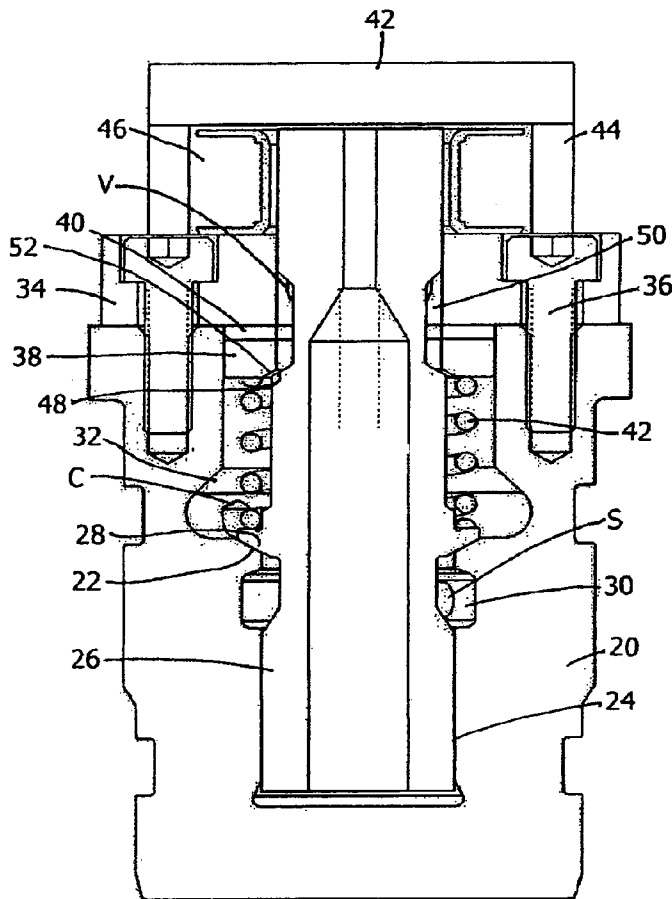
(72) Inventors; and

(75) Inventors/Applicants (for US only): STRAUSS, Ran-
dall, James [US/US]; One Innovation Way, Woodland
Park, CO 80863 (US). PENA, James, A. [US/US]; 475
Neptune Avenue, Encinitas, CA 92024 (US). KISS, Tibor
[HU/US]; 327 Clarksley Road, Manitou Springs, CO

(84) Designated States (unless otherwise indicated, for every
kind of regional protection available): ARIPO (BW, GH,
GM, KE, LS, MW, MZ, NA, SD, SL, SZ, TZ, UG, ZM,
ZW), Eurasian (AM, AZ, BY, KG, KZ, MD, RU, TJ, TM),
European (AT, BE, BG, CH, CY, CZ, DE, DK, EE, ES, FI,

[Continued on next page]

(54) Title: THREE-WAY POPPET VALVE WITH FLOATING SEAT



(57) Abstract: Three-way poppet valves having a
poppet valve body (20), first and second poppet valves
disposed in a valve guide within the body (20) for
motion between first poppet valve open and first
poppet valve closed positions, a first poppet valve seat
(52) disposed in the poppet valve body so as to have
freedom in a plane perpendicular to the poppet valve
axis, the first poppet valve (40), when moving to the
closed position, engaging the first poppet valve seat
(52) and centering the first poppet valve seat with respect
to the first poppet valve, and when in the closed
position, holding the first poppet valve seat (52)
against the poppet valve body, and a second poppet
valve connected with the first poppet valve, the poppet
valve body having a second poppet valve seat (22), the
second poppet valve (28) being in the closed position
when the first poppet valve is in the open position and
being in the open position when the first poppet valve
is in the closed position.

WO 2007/103371 A3



FR, GB, GR, HU, IE, IS, IT, LT, LU, LV, MC, MT, NL, PL, PT, RO, SE, SI, SK, TR), OAPI (BF, BJ, CF, CG, CI, CM, GA, GN, GQ, GW, ML, MR, NE, SN, TD, TG).

For two-letter codes and other abbreviations, refer to the "Guidance Notes on Codes and Abbreviations" appearing at the beginning of each regular issue of the PCT Gazette.

Published:

- *with international search report*
- *before the expiration of the time limit for amending the claims and to be republished in the event of receipt of amendments*

(88) Date of publication of the international search report:

8 November 2007

INTERNATIONAL SEARCH REPORT

International application No

PCT/US2007/005692

A. CLASSIFICATION OF SUBJECT MATTER
INV. F16K11/044

According to International Patent Classification (IPC) or to both national classification and IPC

B. FIELDS SEARCHED

Minimum documentation searched (classification system followed by classification symbols)
F16K

Documentation searched other than minimum documentation to the extent that such documents are included in the fields searched

Electronic data base consulted during the international search (name of data base and, where practical, search terms used)

EPO-Internal, WPI Data

C. DOCUMENTS CONSIDERED TO BE RELEVANT

Category*	Citation of document, with indication, where appropriate, of the relevant passages	Relevant to claim No.
X	US 3 776 275 A (UPDIKE S) 4 December 1973 (1973-12-04) figures 2,5 column 3, line 62 - line 66 -----	1,3,8,10
X	GB 2 352 798 A (CATERPILLAR INC [US]) 7 February 2001 (2001-02-07) abstract; figures 1,2 page 3, line 7 - line 10 page 5, line 14 - line 19 -----	1,3,8,10
A	EP 0 621 426 A1 (CUMMINS ENGINE CO INC [US]) 26 October 1994 (1994-10-26) figures 3-5 ----- -/--	1-14

 Further documents are listed in the continuation of Box C. See patent family annex.

* Special categories of cited documents :

- *A* document defining the general state of the art which is not considered to be of particular relevance
- *E* earlier document but published on or after the international filing date
- *L* document which may throw doubts on priority claim(s) or which is cited to establish the publication date of another citation or other special reason (as specified)
- *O* document referring to an oral disclosure, use, exhibition or other means
- *P* document published prior to the international filing date but later than the priority date claimed

T later document published after the international filing date or priority date and not in conflict with the application but cited to understand the principle or theory underlying the invention

X document of particular relevance; the claimed invention cannot be considered novel or cannot be considered to involve an inventive step when the document is taken alone

Y document of particular relevance; the claimed invention cannot be considered to involve an inventive step when the document is combined with one or more other such documents, such combination being obvious to a person skilled in the art.

* & * document member of the same patent family

Date of the actual completion of the international search

3 September 2007

Date of mailing of the international search report

12/09/2007

Name and mailing address of the ISA/

European Patent Office, P.B. 5818 Patentlaan 2
NL - 2280 HV Rijswijk
Tel. (+31-70) 340-2040, Tx. 31 651 epo nl,
Fax: (+31-70) 340-3016

Authorized officer

Bilo, Eric

INTERNATIONAL SEARCH REPORT

International application No
PCT/US2007/005692

C(Continuation). DOCUMENTS CONSIDERED TO BE RELEVANT		
Category*	Citation of document, with indication, where appropriate, of the relevant passages	Relevant to claim No.
A	GB 631 750 A (CHARLES GORDON MORLEY) 9 November 1949 (1949-11-09) figure 1 page 4, line 9 - line 18 -----	1-14
A	FR 2 180 789 A1 (KONDO SHIGEJI [JP]) 30 November 1973 (1973-11-30) figures 3-8 -----	1-14

INTERNATIONAL SEARCH REPORT

Information on patent family members

International application No PCT/US2007/005692

Patent document cited in search report	Publication date	Patent family member(s)	Publication date
US 3776275	A	04-12-1973	AU 5373173 A 26-09-1974
			CA 986814 A1 06-04-1976
			DE 2315549 A1 18-10-1973
			FR 2179856 A1 23-11-1973
			GB 1389638 A 03-04-1975
			IT 983707 B 11-11-1974
			JP 888633 C 10-11-1977
			JP 49016018 A 13-02-1974
			JP 52016810 B 11-05-1977
GB 2352798	A	07-02-2001	DE 10036904 A1 08-03-2001
			US 6227459 B1 08-05-2001
EP 0621426	A1	26-10-1994	BR 9401226 A 08-11-1994
			DE 69413288 D1 22-10-1998
			DE 69413288 T2 25-02-1999
			DE 69427655 D1 09-08-2001
			DE 69427655 T2 18-10-2001
			JP 2675976 B2 12-11-1997
			JP 7071641 A 17-03-1995
			US 5396926 A 14-03-1995
GB 631750	A	09-11-1949	NONE
FR 2180789	A1	30-11-1973	DE 2319114 A1 25-10-1973
			GB 1424219 A 11-02-1976
			JP 49000832 A 07-01-1974
			US 3884266 A 20-05-1975