



US00D474252S

(12) **United States Design Patent**
Lull et al.

(10) **Patent No.:** **US D474,252 S**
(45) **Date of Patent:** **** May 6, 2003**

- (54) **EXERCISE BICYCLE FRAME**
- (75) Inventors: **Andrew P. Lull**, Boulder, CO (US);
William A. Baker, Longmont, CO (US); **Douglas J. Golenz**, Lafayette, CO (US)
- (73) Assignee: **Nautilus, Inc.**, Louisville, CO (US)
- (**) Term: **14 Years**

D218,338 S	8/1970	Dimick et al.
D220,024 S	2/1971	Fujiyoshi et al.
3,578,800 A	5/1971	DiNepi
3,596,921 A	8/1971	Bruckl 273/80 B
3,623,582 A	11/1971	Giger et al. 192/46
3,664,027 A	5/1972	Fritz et al.
D225,070 S	11/1972	Proctor
D229,077 S	11/1973	Scalingi et al.
3,809,402 A	5/1974	Haines et al.

(List continued on next page.)

FOREIGN PATENT DOCUMENTS

- (21) Appl. No.: **29/156,792**
- (22) Filed: **Mar. 6, 2002**

Related U.S. Application Data

- (63) Continuation-in-part of application No. 09/803,630, filed on Mar. 9, 2001, which is a continuation-in-part of application No. 09/379,560, filed on Aug. 23, 1999, which is a continuation of application No. 08/919,695, filed on Aug. 28, 1997, now Pat. No. 5,961,424.
- (60) Provisional application No. 60/038,726, filed on Feb. 18, 1997.
- (51) **LOC (7) Cl.** **21-02**
- (52) **U.S. Cl.** **D21/697**
- (58) **Field of Search** D21/663, 664, D21/665, 666, 667, 668, 694, 697; D12/111; 482/51, 57, 64

AT	132504	5/1949
AT	209202	5/1960
DE	2436594	2/1976
FR	328506	7/1903
FR	89009	4/1967
FR	89347	5/1967
FR	2003598	11/1969
FR	2108579	5/1972
FR	2500311	8/1982
GB	4221	of 1901
GB	1194046	6/1970
GB	1469363	4/1977

OTHER PUBLICATIONS

Advertisement: aerobika; "Giugiaro Trebispin 'Safety'", Apr. 23, 1998.

(List continued on next page.)

Primary Examiner—Philip S. Hyder
(74) *Attorney, Agent, or Firm*—Dorsey & Whitney LLP

- (56) **References Cited**

U.S. PATENT DOCUMENTS

562,198 A	6/1896	Robinson	482/52
588,166 A	8/1897	McCoy	
633,534 A	9/1899	Read	280/261
635,082 A	10/1899	Stiles	280/261
671,785 A	4/1901	Young et al.	482/57
1,336,774 A	4/1920	Cooper	482/57
1,507,554 A	9/1924	Cooper	482/57
1,636,327 A	7/1927	Roe	474/144
2,066,557 A	1/1937	Cox	248/429
2,320,489 A	6/1943	Turner et al.	
2,446,363 A	8/1948	Daum	192/48.6
2,603,486 A	7/1952	Hughes	
3,062,204 A	11/1962	Stefano	482/57
3,511,097 A	5/1970	Corwin	482/57

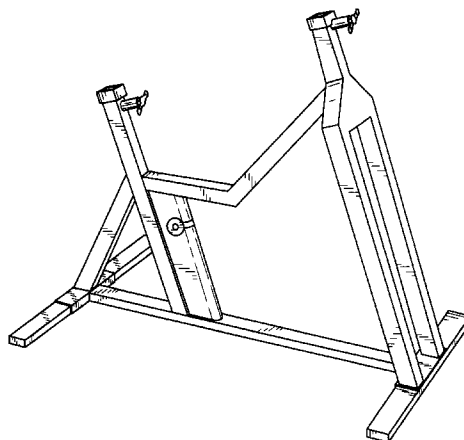
- (57) **CLAIM**

The ornamental design for an exercise bicycle frame, as shown and described.

DESCRIPTION

FIG. 1 is a perspective view of the exercise bicycle frame of the present invention;
FIG. 2 is a front elevation view thereof;
FIG. 3 is a rear elevation view thereof;
FIG. 4 is a left elevation view thereof;
FIG. 5 is a right elevation view thereof;
FIG. 6 is a top plan view thereof; and,
FIG. 7 is a bottom plan view thereof.

1 Claim, 4 Drawing Sheets



U.S. PATENT DOCUMENTS

3,833,216 A	9/1974	Philbin	4,880,225 A	11/1989	Lucas et al.	482/59
D233,160 S	10/1974	Jouk	4,902,001 A	2/1990	Balbo	272/73
3,854,561 A	12/1974	Conde	4,915,374 A	4/1990	Watkins	482/57
3,861,715 A	1/1975	Mendoza	4,936,570 A	6/1990	Szymiski et al.	482/57
D234,305 S	2/1975	Woods et al.	5,000,469 A	3/1991	Smith	280/261
3,939,932 A	2/1976	Rosen	5,046,723 A	9/1991	Szymiski et al.	
3,966,201 A	6/1976	Mester	5,145,477 A	9/1992	Han	482/57
3,995,491 A	12/1976	Wolfla, II	5,232,422 A	8/1993	Bishop, Jr.	482/57
D243,028 S	1/1977	Proctor	5,336,147 A	8/1994	Sweeney, III	482/57
D243,165 S	1/1977	Wheeler	5,423,728 A	6/1995	Goldberg	482/57
4,007,927 A	2/1977	Proctor	5,472,396 A	12/1995	Brazaitis	482/57
4,150,851 A	4/1979	Cienfuegos	D368,678 S	4/1996	Wilcox et al.	D12/111
D251,747 S	5/1979	Valentine et al.	D372,284 S	7/1996	Wang et al.	D21/667
4,188,030 A	2/1980	Hooper	D380,796 S	7/1997	Wang et al.	D21/667
D254,679 S	4/1980	Gustafsson	D382,924 S	8/1997	Wu	D21/667
4,220,232 A	9/1980	Fey et al.	D382,925 S	8/1997	Wu	D21/667
D257,515 S	11/1980	Faux	5,685,553 A	11/1997	Wilcox et al.	280/283
4,266,794 A	5/1981	Bals	5,722,916 A	3/1998	Goldberg	482/57
4,286,701 A	9/1981	MacDonald	D407,767 S	4/1999	Chang	D21/663
4,298,893 A	11/1981	Holmes	5,961,424 A	10/1999	Warner et al.	482/63
D262,302 S	12/1981	Disbrow et al.	6,146,313 A	11/2000	Whan-Tong et al.	482/51
4,313,602 A	2/1982	Sullivan	6,155,958 A	12/2000	Goldberg	482/57
4,338,798 A	7/1982	Gilman				
4,371,185 A	2/1983	Bals				
D275,589 S	9/1984	Gustafsson				
D280,117 S	8/1985	Collins	D21/697			
D280,118 S	8/1985	Collins	D21/697			
4,533,136 A	8/1985	Smith et al.				
4,577,860 A	3/1986	Matias	482/57			
D284,596 S	7/1986	McNeil				
D285,953 S	9/1986	Gustafsson	D21/667			
4,632,386 A	12/1986	Beech	482/57			
4,645,472 A	2/1987	Heidenreich	464/48			
4,657,244 A	4/1987	Ross				
D289,782 S	5/1987	Szymiski et al.				
4,671,396 A	6/1987	Kotamaki				
4,673,177 A	6/1987	Szymiski				
D291,462 S	8/1987	Aalto				
D291,713 S	9/1987	Kiiski	D21/667			
D292,225 S	10/1987	Breger	D21/667			
D292,304 S	10/1987	Ostrom	D21/697			
4,705,269 A	11/1987	DeBoer et al.				
4,712,789 A	12/1987	Brilando				
4,712,790 A	12/1987	Szymiski				
D296,457 S	6/1988	Anitua	D21/667			
4,757,988 A	7/1988	Szymiski				
4,768,777 A	9/1988	Yang	482/57			
4,772,069 A	9/1988	Szymiski	297/195			
D299,732 S	2/1989	Gustafsson	D21/667			
4,824,102 A	4/1989	Lo	482/57			

OTHER PUBLICATIONS

Picture: Reebok Studio Cycle, Date unknown.

Brochure: Nowadays ApS; "Spinning, Total Conditioning for the Body and the Soul", Date unknown.

Brochure: Schwinn Cycling & Fitness Inc., "Johnny G. Spinner, by Schwinn, Go Fast standing still", 4 pages, 1995.
Catalog: "Schwinn® Fitness Equipment", available as early as 1985.

Catalog: "Schwinn® Fitness Catalog", available as early as 1987.

Catalog: "Schwinn '88 Lightweight Bicycles", available as early as 1988.

Catalog: "1990 Schwinn Full-Line Fitness Catalog", 1990.
Catalog, "Schwinn Fitness", available as early as 1991.

Catalog: "The 1993 Schwinn Fitness Line", available as early as 1993.

Catalog: "93 New Bikes. New Thinking.", available as early as 1993.

Catalog: "Schwinn Fitness Equipment a change of shape", available as early as 1995.

Catalog: "Discover the Power Inside™, Schwinn 1995 fitness equipment", available as early as 1995.

Catalog: "LeMond™ RevMaster™", available as early as 2000.

Catalog: "Schwinn Fitness Equipment", date unknown.

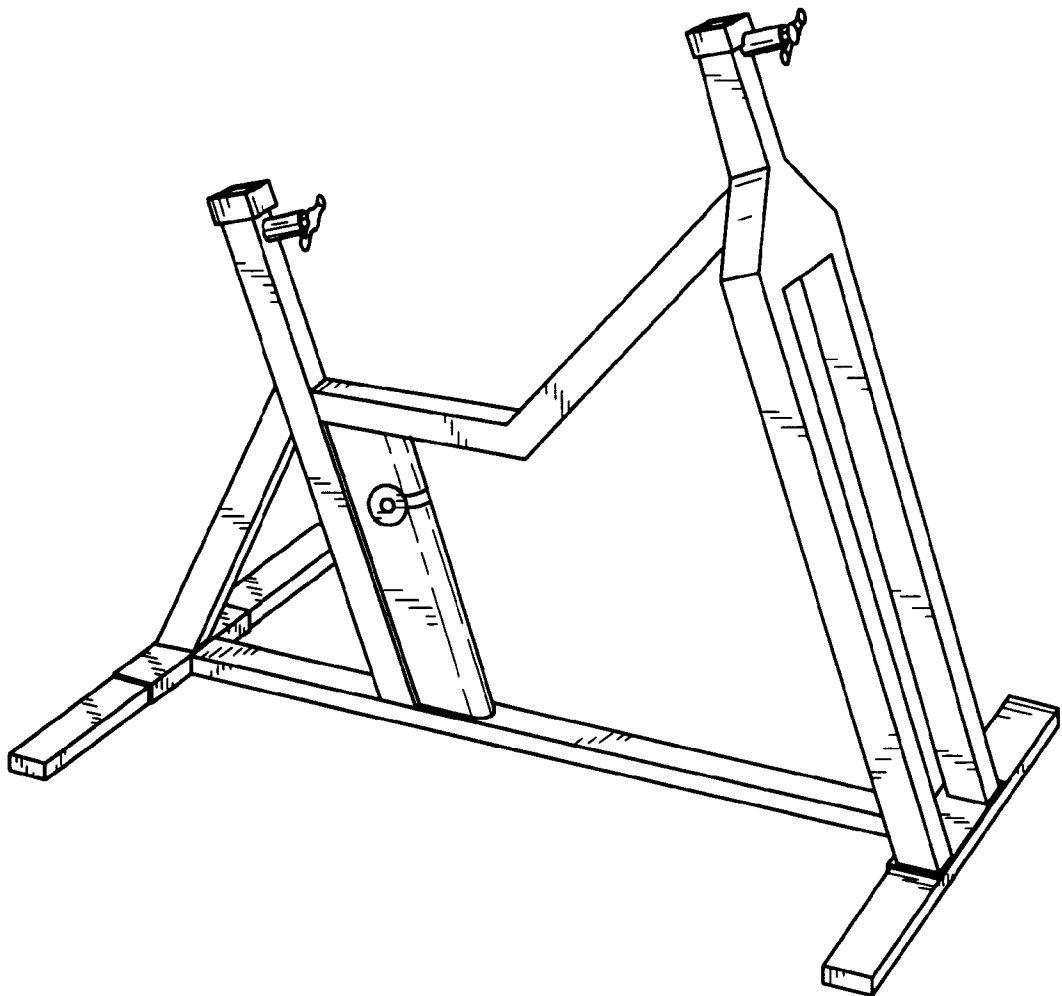


FIG. 1

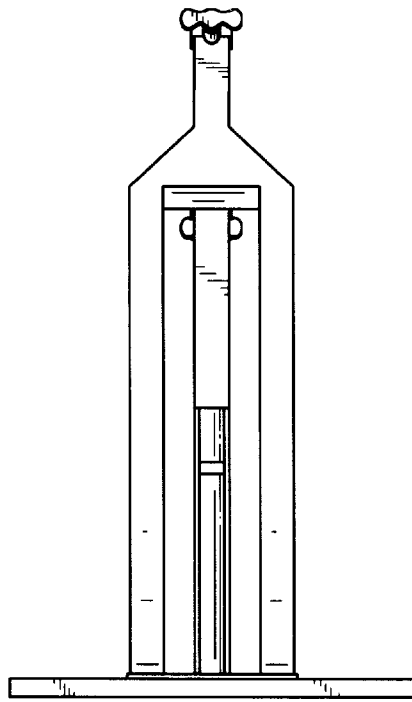


FIG. 2

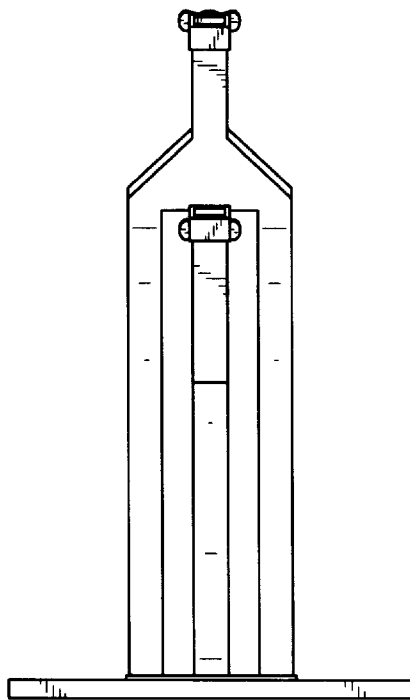


FIG. 3

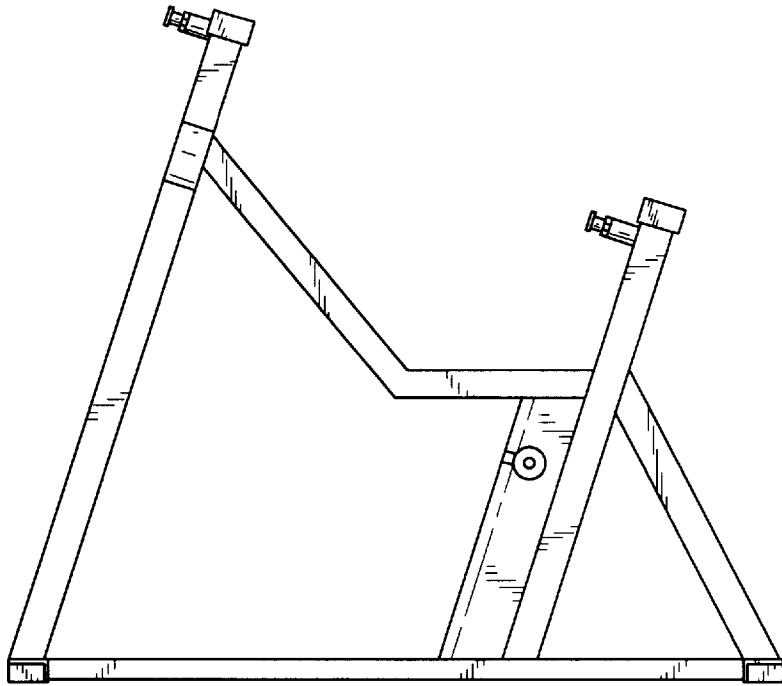


FIG. 4

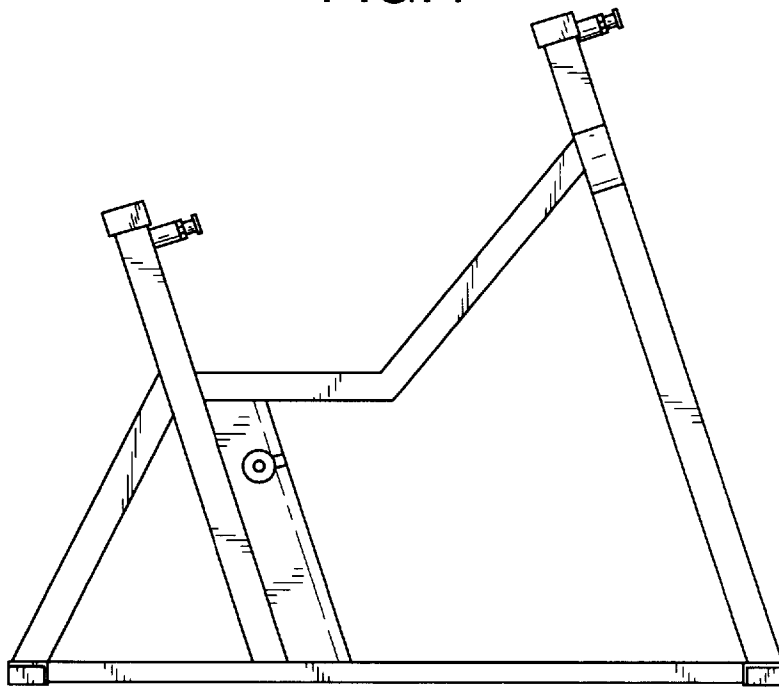


FIG. 5

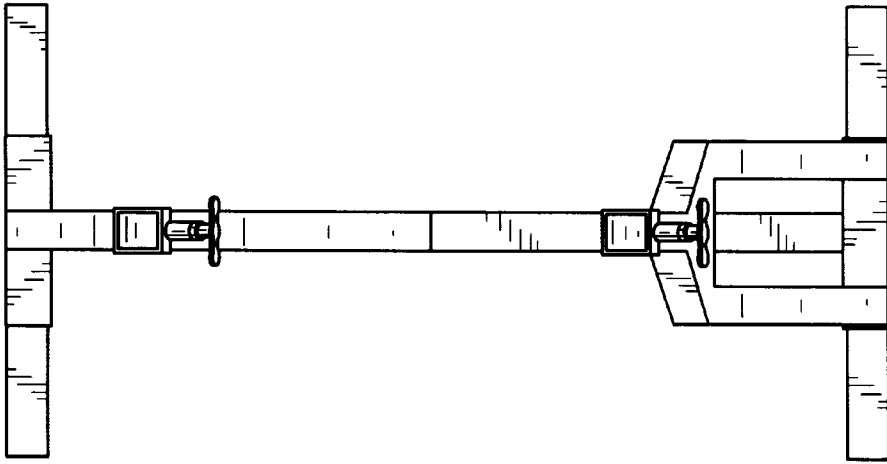


FIG. 6

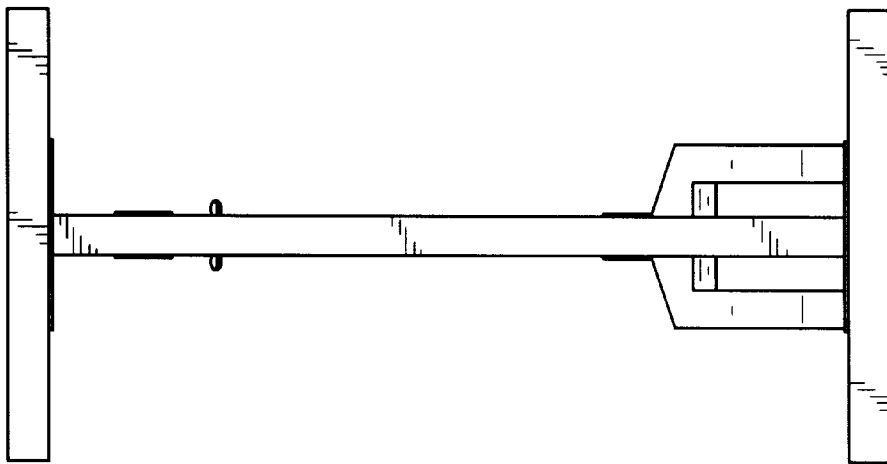


FIG. 7