

(19) World Intellectual Property Organization
International Bureau



(43) International Publication Date
31 July 2008 (31.07.2008)

PCT

(10) International Publication Number
WO 2008/091780 A3

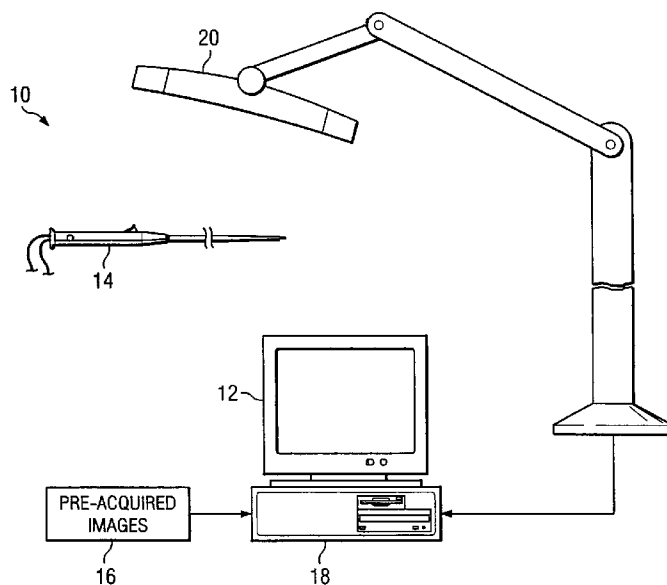
- (51) International Patent Classification:
A61B 19/00 (2006.01) A61N 1/36 (2006.01)
- (21) International Application Number:
PCT/US2008/051311
- (22) International Filing Date: 17 January 2008 (17.01.2008)
- (25) Filing Language: English
- (26) Publication Language: English
- (30) Priority Data:
11/626,910 25 January 2007 (25.01.2007) US
- (71) Applicant (for all designated States except US): WAR-
SAW ORTHOPEDIC, INC. [US/US]; 2500 Silveus
Crossing, Warsaw, Indiana 46581 (US).
- (72) Inventors; and
- (75) Inventors/Applicants (for US only): CARLS, Thomas
A. [US/US]; 848 River Park, Memphis, Tennessee 38103
(US). CLAYTON, John B. [US/US]; 720 East Wiggins
Street, Superior, Colorado 80027 (US). RYTERSKI, Eric
J. [US/US]; 134 Griffith, Louisville, Colorado 80027 (US).
ADCOX, William, K. [US/US]; 164 Harbor Village Drive,
Memphis, Tennessee 38103 (US).
- (74) Agents: WILLIS, Thomas L. Jr. et al.; 710 Medtronic
Parkway MS LC340, Minneapolis, Minnesota 55432 (US).

- (81) Designated States (unless otherwise indicated, for every
kind of national protection available): AE, AG, AL, AM,
AO, AT, AU, AZ, BA, BB, BG, BH, BR, BW, BY, BZ, CA,
CH, CN, CO, CR, CU, CZ, DE, DK, DM, DO, DZ, EC, EE,
EG, ES, FI, GB, GD, GE, GH, GM, GT, HN, HR, HU, ID,
IL, IN, IS, JP, KE, KG, KM, KN, KP, KR, KZ, LA, LC,
LK, LR, LS, LT, LU, LY, MA, MD, ME, MG, MK, MN,
MW, MX, MY, MZ, NA, NG, NI, NO, NZ, OM, PG, PH,
PL, PT, RO, RS, RU, SC, SD, SE, SG, SK, SL, SM, SV,
SY, TJ, TM, TN, TR, TT, TZ, UA, UG, US, UZ, VC, VN,
ZA, ZM, ZW.
- (84) Designated States (unless otherwise indicated, for every
kind of regional protection available): ARIPO (BW, GH,
GM, KE, LS, MW, MZ, NA, SD, SL, SZ, TZ, UG, ZM,
ZW), Eurasian (AM, AZ, BY, KG, KZ, MD, RU, TJ, TM),
European (AT, BE, BG, CH, CY, CZ, DE, DK, EE, ES, FI,
FR, GB, GR, HR, HU, IE, IS, IT, LT, LU, LV, MC, MT, NL,
NO, PL, PT, RO, SE, SI, SK, TR), OAPI (BF, BJ, CF, CG,
CI, CM, GA, GN, GQ, GW, ML, MR, NE, SN, TD, TG).

- Published:**
- with international search report
 - before the expiration of the time limit for amending the
claims and to be republished in the event of receipt of
amendments

[Continued on next page]

(54) Title: INTEGRATED VISUALIZATION OF SURGICAL NAVIGATIONAL AND NEURAL MONITORING INFORMATION



(57) Abstract: This disclosure is directed to an apparatus for simultaneously displaying surgical navigational information and neuromonitoring information. The apparatus includes a video display terminal configured to display a visualization of anatomical structures of a patient and a computer operatively linked to the video display terminal. The computer is programmed to acquire neurological response information from the patient and automatically update the visualization of anatomical structures based on the acquired neurological response information.

WO 2008/091780 A3



(88) Date of publication of the international search report:
18 September 2008

INTERNATIONAL SEARCH REPORT

International application No

PCT/US2008/051311

A. CLASSIFICATION OF SUBJECT MATTER
 INV. A61B19/00 A61N1/36

According to International Patent Classification (IPC) or to both national classification and IPC

B. FIELDS SEARCHED

Minimum documentation searched (classification system followed by classification symbols)
 A61B A61N

Documentation searched other than minimum documentation to the extent that such documents are included in the fields searched

Electronic data base consulted during the international search (name of data base and, where practical, search terms used)

EPO-Internal, WPI Data

C. DOCUMENTS CONSIDERED TO BE RELEVANT

Category*	Citation of document, with indication, where appropriate, of the relevant passages	Relevant to claim No.
X	WO 2006/084194 A (NUVASIVE INC [US]; BERTAGNOLI RUDOLPH [DE]; GHARIB JAMES [US]; CORNWAL) 10 August 2006 (2006-08-10)	1-4, 8-17, 24-30
Y	page 22, line 1 - line 3; figure 20 page 24, line 18 - page 25, line 28; figure 29	5,6,31
X	US 5 713 946 A (BEN-HAIM SHLOMO [IL]) 3 February 1998 (1998-02-03)	1,2,4,7, 10-15, 17,24-30
	column 11, line 14 - line 28; figure 4	
X	EP 1 396 233 A (BIOSENSE INC [US]) 10 March 2004 (2004-03-10)	1-4,7, 10-17, 24-30
	paragraphs [0046], [0051], [0052]	
	-/--	

Further documents are listed in the continuation of Box C.

See patent family annex.

* Special categories of cited documents:

- *A* document defining the general state of the art which is not considered to be of particular relevance
- *E* earlier document but published on or after the international filing date
- *L* document which may throw doubts on priority claim(s) or which is cited to establish the publication date of another citation or other special reason (as specified)
- *O* document referring to an oral disclosure, use, exhibition or other means
- *P* document published prior to the international filing date but later than the priority date claimed

- *T* later document published after the international filing date or priority date and not in conflict with the application but cited to understand the principle or theory underlying the invention
- *X* document of particular relevance; the claimed invention cannot be considered novel or cannot be considered to involve an inventive step when the document is taken alone
- *Y* document of particular relevance; the claimed invention cannot be considered to involve an inventive step when the document is combined with one or more other such documents, such combination being obvious to a person skilled in the art.
- * & * document member of the same patent family

Date of the actual completion of the international search

Date of mailing of the international search report

4 August 2008

11/08/2008

Name and mailing address of the ISA/
 European Patent Office, P.B. 5818 Patentlaan 2
 NL - 2280 HV Rijswijk
 Tel. (+31-70) 340-2040, Tx. 31 651 epo nl,
 Fax: (+31-70) 340-3016

Authorized officer
 Mayer-Martenson, E

INTERNATIONAL SEARCH REPORT

International application No

PCT/US2008/051311

C(Continuation). DOCUMENTS CONSIDERED TO BE RELEVANT		
Category*	Citation of document, with indication, where appropriate, of the relevant passages	Relevant to claim No.
Y	EP 1 306 050 A (BRAINLAB AG [DE]) 2 May 2003 (2003-05-02) paragraphs [0015] - [0021], [0023]; figures 2,3	5, 6, 31
A	US 6 233 480 B1 (HOCHMAN DARYL [US] ET AL) 15 May 2001 (2001-05-15) abstract	1
A	US 5 928 158 A (ARISTIDES ARELLANO [MX]) 27 July 1999 (1999-07-27) abstract; figure 1	10, 31

INTERNATIONAL SEARCH REPORT

International application No.
PCT/US2008/051311

Box No. II Observations where certain claims were found unsearchable (Continuation of item 2 of first sheet)

This international search report has not been established in respect of certain claims under Article 17(2)(a) for the following reasons:

1. Claims Nos.: 18-23, 32-34
because they relate to subject matter not required to be searched by this Authority, namely:
Rule 39.1(iv) PCT - Method for treatment of the human or animal body by surgery
2. Claims Nos.:
because they relate to parts of the international application that do not comply with the prescribed requirements to such an extent that no meaningful international search can be carried out, specifically:
3. Claims Nos.:
because they are dependent claims and are not drafted in accordance with the second and third sentences of Rule 6.4(a).

Box No. III Observations where unity of invention is lacking (Continuation of item 3 of first sheet)

This International Searching Authority found multiple inventions in this international application, as follows:

1. As all required additional search fees were timely paid by the applicant, this international search report covers all searchable claims.
2. As all searchable claims could be searched without effort justifying an additional fees, this Authority did not invite payment of additional fees.
3. As only some of the required additional search fees were timely paid by the applicant, this international search report covers only those claims for which fees were paid, specifically claims Nos.:
4. No required additional search fees were timely paid by the applicant. Consequently, this international search report is restricted to the invention first mentioned in the claims; it is covered by claims Nos.:

Remark on Protest

- The additional search fees were accompanied by the applicant's protest and, where applicable, the payment of a protest fee.
- The additional search fees were accompanied by the applicant's protest but the applicable protest fee was not paid within the time limit specified in the invitation.
- No protest accompanied the payment of additional search fees.

INTERNATIONAL SEARCH REPORT

Information on patent family members

International application No

PCT/US2008/051311

Patent document cited in search report	A	Publication date	Patent family member(s)	Publication date
WO 2006084194	A	10-08-2006	NONE	
US 5713946	A	03-02-1998	US 5694945 A	09-12-1997
EP 1396233	A	10-03-2004	AU 2003244333 A1 CA 2439889 A1 JP 2004261569 A KR 20040022196 A US 2004049121 A1	25-03-2004 06-03-2004 24-09-2004 11-03-2004 11-03-2004
EP 1306050	A	02-05-2003	AT 266964 T DE 50102342 D1 ES 2219470 T3 US 2003078485 A1	15-06-2004 24-06-2004 01-12-2004 24-04-2003
US 6233480	B1	15-05-2001	NONE	
US 5928158	A	27-07-1999	NONE	