

(19) World Intellectual Property Organization
International Bureau



(43) International Publication Date
23 March 2006 (23.03.2006)

PCT

(10) International Publication Number
WO 2006/031525 A3

- (51) International Patent Classification:
E02B 3/06 (2006.01)
- (21) International Application Number:
PCT/US2005/031754
- (22) International Filing Date:
9 September 2005 (09.09.2005)
- (25) Filing Language: English
- (26) Publication Language: English
- (30) Priority Data:
10/937,921 10 September 2004 (10.09.2004) US
- (71) Applicant and
(72) Inventor: HERZOG, Kenneth, H. [US/US]; 24661
Seaton Court East, Warren, MI 48091 (US).

AT, AU, AZ, BA, BB, BG, BR, BW, BY, BZ, CA, CH, CN, CO, CR, CU, CZ, DE, DK, DM, DZ, EC, EE, EG, ES, FI, GB, GD, GE, GH, GM, HR, HU, ID, IL, IN, IS, JP, KE, KG, KM, KP, KR, KZ, LC, LK, LR, LS, LT, LU, LV, MA, MD, MG, MK, MN, MW, MX, MZ, NA, NG, NI, NO, NZ, OM, PG, PH, PL, PT, RO, RU, SC, SD, SE, SG, SK, SL, SM, SY, TJ, TM, TN, TR, TT, TZ, UA, UG, US, UZ, VC, VN, YU, ZA, ZM, ZW.

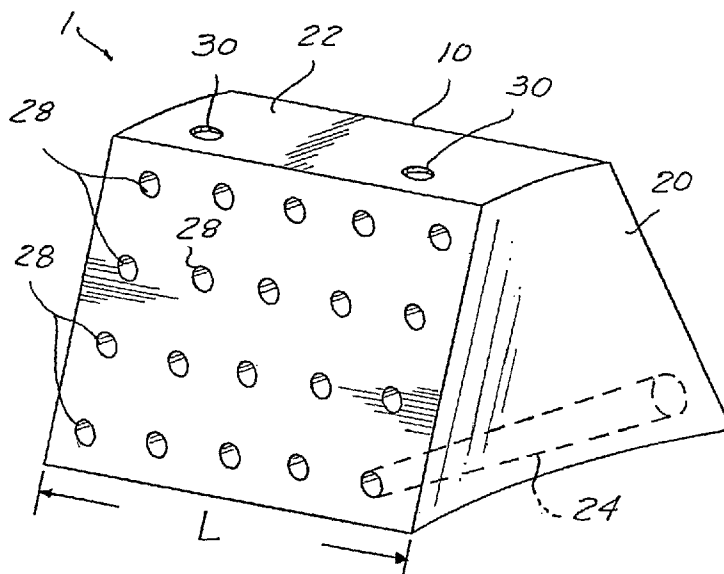
(84) Designated States (unless otherwise indicated, for every kind of regional protection available): ARIPO (BW, GH, GM, KE, LS, MW, MZ, NA, SD, SL, SZ, TZ, UG, ZM, ZW), Eurasian (AM, AZ, BY, KG, KZ, MD, RU, TJ, TM), European (AT, BE, BG, CH, CY, CZ, DE, DK, EE, ES, FI, FR, GB, GR, HU, IE, IS, IT, LT, LU, LV, MC, NL, PL, PT, RO, SE, SI, SK, TR), OAPI (BF, BJ, CF, CG, CI, CM, GA, GN, GQ, GW, ML, MR, NE, SN, TD, TG).

Published:
— with international search report

(88) Date of publication of the international search report:
22 February 2007

For two-letter codes and other abbreviations, refer to the "Guidance Notes on Codes and Abbreviations" appearing at the beginning of each regular issue of the PCT Gazette.

(54) Title: APPARATUS AND METHOD FOR REBUILDING A SAND BEACH



(57) Abstract: A device is provided for preventing shoreline erosion and for rebuilding the sand beach along the shoreline of a large body of water. A series of the devices are placed in side-by-side relation essentially parallel to the shoreline. The device includes a hollow plastic structure fillable with a heavy material, such as cement. The structure has a trapezoidal configuration to lower the center of gravity of the device and includes inclining front and rear walls converging toward each other to the top wall. The hollow plastic structure includes a plurality of tubular members extending from the front wall to the rear wall. The front and rear walls have access apertures opening to the tubular members. The tubular members gradually taper from a predetermined diameter at the access apertures in the front wall to half of the predetermined diameter at the access apertures in the rear wall to reduce the velocity of the flow of water to the large body of water.

WO 2006/031525 A3

INTERNATIONAL SEARCH REPORT

International application No.

PCT/US05/31754

A. CLASSIFICATION OF SUBJECT MATTER

IPC: E02B 3/06(2006.01)

USPC: 405/025

According to International Patent Classification (IPC) or to both national classification and IPC

B. FIELDS SEARCHED

Minimum documentation searched (classification system followed by classification symbols)

U.S. : 405/025405/15,21,22,29,30

Documentation searched other than minimum documentation to the extent that such documents are included in the fields searched

Electronic data base consulted during the international search (name of data base and, where practicable, search terms used)

USPAT;US-PGPUB;USOCR;DERWENT

C. DOCUMENTS CONSIDERED TO BE RELEVANT

Category *	Citation of document, with indication, where appropriate, of the relevant passages	Relevant to claim No.
Y	US 4,367,978 A (Schaaf et al.) 11 June 1983, see entire document.	1-7
Y	US 4,711,598 A (Schaaf et al.) 08 December 1987, see entire document.	1-7

Further documents are listed in the continuation of Box C.

See patent family annex.

* Special categories of cited documents:

"A" document defining the general state of the art which is not considered to be of particular relevance

"T" later document published after the international filing date or priority date and not in conflict with the application but cited to understand the principle or theory underlying the invention

"E" earlier application or patent published on or after the international filing date

"X" document of particular relevance; the claimed invention cannot be considered novel or cannot be considered to involve an inventive step when the document is taken alone

"L" document which may throw doubts on priority claim(s) or which is cited to establish the publication date of another citation or other special reason (as specified)

"Y" document of particular relevance; the claimed invention cannot be considered to involve an inventive step when the document is combined with one or more other such documents, such combination being obvious to a person skilled in the art

"O" document referring to an oral disclosure, use, exhibition or other means

"P" document published prior to the international filing date but later than the priority date claimed

"&" document member of the same patent family

Date of the actual completion of the international search

27 September 2006 (27.09.2006)

Date of mailing of the international search report

18 OCT 2006

Name and mailing address of the ISA/US

Mail Stop PCT, Attn: ISA/US
Commissioner for Patents
P.O. Box 1450
Alexandria, Virginia 22313-1450

Facsimile No. (571) 273-3201

Authorized officer

7-1
BRIAN JOHNSON
James R. Matthew
Telephone No. (571) 272-3595