

(19) World Intellectual Property Organization
International Bureau



(43) International Publication Date
29 October 2009 (29.10.2009)

PCT

(10) International Publication Number
WO 2009/132359 A3

(51) International Patent Classification:

A61B 17/28 (2006.01) A61L 2/00 (2006.01)
A61B 17/285 (2006.01)

(21) International Application Number:

PCT/US2009/041855

(22) International Filing Date:

27 April 2009 (27.04.2009)

(25) Filing Language:

English

(26) Publication Language:

English

(30) Priority Data:

61/125,536 25 April 2008 (25.04.2008) US

(71) Applicant and

(72) Inventor: DOWNEY, Earl, C. [US/US]; 100 N. Medical Drive, #2600, Salt Lake City, UT 84103 (US).

(72) Inventors; and

(75) Inventors/Applicants (for US only): CARTER, Stephen, B. [US/US]; 14153 Melodie Lane, Poway, CA 92064 (US). GROSS, Kenneth, A. [US/US]; 10827 Baird Ave, Northridge, CA 91326 (US). SCHMUCKLE, Darrin, I. [US/US]; 338 Comstock, San Marcos, CA 92069 (US). SPLANE, Robson, L., Jr. [US/US]; 30634 Persimmon Lane, Valley Center, CA 92082 (US).

(74) Agents: JOHNSON, Christopher, L. et al.; Thorpe North & Western, LLP, PO Box 1219, Sandy, UT 84091 (US).

(81) Designated States (unless otherwise indicated, for every

kind of national protection available): AE, AG, AL, AM, AO, AT, AU, AZ, BA, BB, BG, BH, BR, BW, BY, BZ, CA, CH, CN, CO, CR, CU, CZ, DE, DK, DM, DO, DZ, EC, EE, EG, ES, FI, GB, GD, GE, GH, GM, GT, HN, HR, HU, ID, IL, IN, IS, JP, KE, KG, KM, KN, KP, KR, KZ, LA, LC, LK, LR, LS, LT, LU, LY, MA, MD, ME, MG, MK, MN, MW, MX, MY, MZ, NA, NG, NI, NO, NZ, OM, PG, PH, PL, PT, RO, RS, RU, SC, SD, SE, SG, SK, SL, SM, ST, SV, SY, TJ, TM, TN, TR, TT, TZ, UA, UG, US, UZ, VC, VN, ZA, ZM, ZW.

(84) Designated States (unless otherwise indicated, for every

kind of regional protection available): ARIPO (BW, GH, GM, KE, LS, MW, MZ, NA, SD, SL, SZ, TZ, UG, ZM, ZW), Eurasian (AM, AZ, BY, KG, KZ, MD, RU, TJ, TM), European (AT, BE, BG, CH, CY, CZ, DE, DK, EE, ES, FI, FR, GB, GR, HR, HU, IE, IS, IT, LT, LU, LV, MC, MK, MT, NL, NO, PL, PT, RO, SE, SI, SK, TR), OAPI (BF, BJ, CF, CG, CI, CM, GA, GN, GQ, GW, ML, MR, NE, SN, TD, TG).

Published:

- with international search report (Art. 21(3))
- before the expiration of the time limit for amending the claims and to be republished in the event of receipt of amendments (Rule 48.2(h))

(88) Date of publication of the international search report:

7 January 2010

(54) Title: LAPAROSCOPIC SURGICAL INSTRUMENT

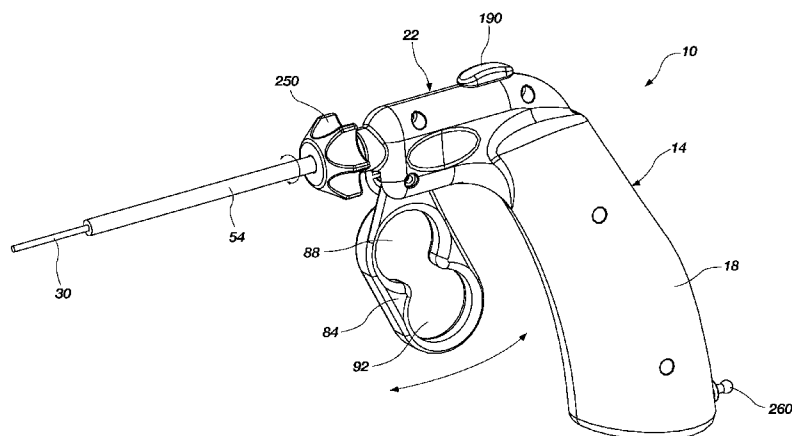


FIG. 1

(57) Abstract: A laparoscopic surgical instrument configured to be ergonomic and anthropometrically correct, comprising: a) an ergonomic handle configured to orient a hand of a surgeon in a functional position, the handle comprising a wall structure defining an interior portion, and adapted to contain at least a portion of one or more working mechanisms; b) an actuating mechanism actuatable by the surgeon and supported within the interior portion of the handle; c) a working shaft having a proximal end coupled to and operable with the actuating mechanism, the working shaft having an elongate configuration and a distal working end configured to couple a surgical tool to be manipulated by the surgeon; and d) means for accessing the interior portion of the handle to expose an inner side of the wall structure and at least a portion of each of the working mechanisms for cleaning, sterilization and maintenance purposes.



WO 2009/132359 A3

A. CLASSIFICATION OF SUBJECT MATTER*A61B 17/28(2006.01)i, A61B 17/285(2006.01)i, A61L 2/00(2006.01)i*

According to International Patent Classification (IPC) or to both national classification and IPC

B. FIELDS SEARCHED

Minimum documentation searched (classification system followed by classification symbols)

IPC A61B, A61L

Documentation searched other than minimum documentation to the extent that such documents are included in the fields searched

Korean Utility models and applications for Utility models since 1975
Japanese Utility models and applications for Utility models since 1975

Electronic data base consulted during the international search (name of data base and, where practicable, search terms used)

eKOMPASS(KPA, PAJ, FPD, USPATFULL) in KIPO, CA online & keywords: laparoscopic, handle, cleaning, sterilization, minimal invasive surgery(MIS)

C. DOCUMENTS CONSIDERED TO BE RELEVANT

Category*	Citation of document, with indication, where appropriate, of the relevant passages	Relevant to claim No.
X A	US 2007-0093790 A1 (DOWNEY et al.) 26 April 2007 See the abstract; paragraphs [0001],[0007],[0033]; figures 2, 3; claims 1, 18, 21	16 1-15, 17-20
A	US 5472439 A (HURD) 05 December 1995 See the abstract; figures 2, 6; claims 1, 5-8	1-20
A	US 5611808 A (HOSSAIN et al.) 18 March 1997 See the abstract; figures 1, 2, 6, 7; claims 1, 13, 15	1-20
A	US 6554828 B2 (SCHNEITER) 29 April 2003 See the abstract; figures 1, 3, 4; claims 1, 10, 19	1-20
A	US 5603723 A (ARANYI et al.) 18 February 1997 See the abstract; figures 2, 3, 5, 9, 10; claims 1, 7, 12, 13, 15, 16, 22	1-20
A	US 5480409 A (RIZA) 02 January 1996 See the abstract; figures 1, 3; claims 1-3, 11, 14	1-20

 Further documents are listed in the continuation of Box C. See patent family annex.

* Special categories of cited documents:

"A" document defining the general state of the art which is not considered to be of particular relevance

"E" earlier application or patent but published on or after the international filing date

"L" document which may throw doubts on priority claim(s) or which is cited to establish the publication date of citation or other special reason (as specified)

"O" document referring to an oral disclosure, use, exhibition or other means

"P" document published prior to the international filing date but later than the priority date claimed

"T" later document published after the international filing date or priority date and not in conflict with the application but cited to understand the principle or theory underlying the invention

"X" document of particular relevance; the claimed invention cannot be considered novel or cannot be considered to involve an inventive step when the document is taken alone

"Y" document of particular relevance; the claimed invention cannot be considered to involve an inventive step when the document is combined with one or more other such documents, such combination being obvious to a person skilled in the art

"&" document member of the same patent family

Date of the actual completion of the international search

17 NOVEMBER 2009 (17.11.2009)

Date of mailing of the international search report

17 NOVEMBER 2009 (17.11.2009)

Name and mailing address of the ISA/KR

Korean Intellectual Property Office
Government Complex-Daejeon, 139 Seonsa-ro, Seo-
gu, Daejeon 302-701, Republic of Korea

Facsimile No. 82-42-472-7140

Authorized officer

Jang, Ki Wan

Telephone No. 82-42-481-5567



INTERNATIONAL SEARCH REPORT

Information on patent family members

International application No.

PCT/US2009/041855

Patent document cited in search report	Publication date	Patent family member(s)	Publication date
US 2007-0093790 A1	26.04.2007	AU 2006-305976 A1 CA 2626156 A1 EP 1940281 A2 WO 2007-050969 A3 WO 2007-050969 A2	26.10.2006 03.05.2007 09.07.2008 26.07.2007 03.05.2007
US 5472439 A	05.12.1995	CA 2133627 C EP 0647433 A1 EP 0647433 B1 JP 3626777 B2 JP 07-204206 A JP 03-626777 B2 KR 10-1995-0010857 A	29.03.2005 12.04.1995 11.08.1999 09.03.2005 08.08.1995 10.12.2004 15.05.1995
US 5611808 A	18.03.1997	None	
US 6554828 B2	29.04.2003	US 2002-165538 A1	07.11.2002
US 5603723 A	18.02.1997	None	
US 5480409 A	02.01.1996	US 05935126 A US 05782749 A US 05843122 A US 05868784 A US 05928256 A	10.08.1999 21.07.1998 01.12.1998 09.02.1999 27.07.1999