

(19) World Intellectual Property Organization
International Bureau



(43) International Publication Date
11 June 2009 (11.06.2009)

PCT

(10) International Publication Number
WO 2009/071287 A1

(51) International Patent Classification:
H01H 1/58 (2006.01)

(21) International Application Number:
PCT/EP2008/010260

(22) International Filing Date:
4 December 2008 (04.12.2008)

(25) Filing Language: English

(26) Publication Language: English

(30) Priority Data:
07023713.6 7 December 2007 (07.12.2007) EP

(71) Applicant (for all designated States except US): **ABB TECHNOLOGY AG** [CH/CH]; Affolternstrasse 44, CH-8050 Zürich (CH).

(72) Inventors; and

(75) Inventors/Applicants (for US only): **GENTSCH, Dietmar** [DE/DE]; Herder Strasse 9, 40882 Ratingen (DE). **HUMPERT, Christof** [DE/DE]; Joseph Haydn Strasse 5, 47877 Willich (DE). **RÜMENAPP, Till** [DE/DE]; Am Herrenhaus 62, 40822 Mettmann (DE).

(74) Agent: **SCHMIDT, Karl-Michael**; ABB AG/GF-IP, Oberhausener Strasse 33, 40472 Ratingen (DE).

(81) Designated States (unless otherwise indicated, for every kind of national protection available): AE, AG, AL, AM, AO, AT, AU, AZ, BA, BB, BG, BH, BR, BW, BY, BZ, CA, CH, CN, CO, CR, CU, CZ, DE, DK, DM, DO, DZ, EC, EE, EG, ES, FI, GB, GD, GE, GH, GM, GT, HN, HR, HU, ID, IL, IN, IS, JP, KE, KG, KM, KN, KP, KR, KZ, LA, LC, LK, LR, LS, LT, LU, LY, MA, MD, ME, MG, MK, MN, MW, MX, MY, MZ, NA, NG, NI, NO, NZ, OM, PG, PH, PL, PT, RO, RS, RU, SC, SD, SE, SG, SK, SL, SM, ST, SV, SY, TJ, TM, TN, TR, TT, TZ, UA, UG, US, UZ, VC, VN, ZA, ZM, ZW.

(84) Designated States (unless otherwise indicated, for every kind of regional protection available): ARIPO (BW, GH, GM, KE, LS, MW, MZ, NA, SD, SL, SZ, TZ, UG, ZM, ZW), Eurasian (AM, AZ, BY, KG, KZ, MD, RU, TJ, TM), European (AT, BE, BG, CH, CY, CZ, DE, DK, EE, ES, FI, FR, GB, GR, HR, HU, IE, IS, IT, LT, LU, LV, MC, MT, NL, NO, PL, PT, RO, SE, SI, SK, TR), OAPI (BF, BJ, CF, CG, CI, CM, GA, GN, GQ, GW, ML, MR, NE, SN, TD, TG).

Declaration under Rule 4.17:

— of inventorship (Rule 4.17(iv))

Published:

— with international search report

(54) Title: LOW-VOLTAGE, MEDIUM-VOLTAGE OR HIGH-VOLTAGE SWITCHGEAR ASSEMBLY WITH AT LEAST ONE MOVEABLE CONTACT

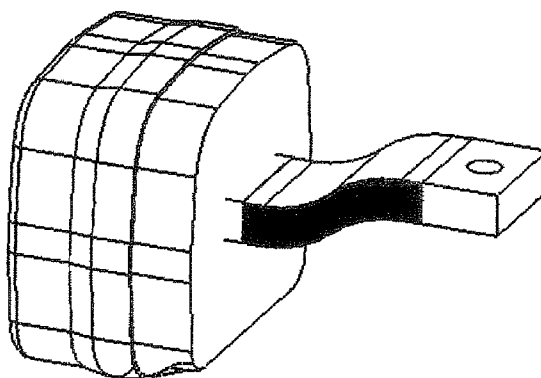


Figure 1

(57) Abstract: A low- voltage, medium- voltage or high-voltage switchgear assembly with at least one moveable contact piece, in which the moveable contact is connected to a connection piece electrically with a flexible connecting means. In order in this case to produce a connection between the connector strip and the connection piece of the pole part, which connection has an electrical and thermal resistance which is as low as possible, the invention proposes that the flexible connecting means is connected to the connection piece directly or with an intermediate piece, which can be connected to the connection piece, cohesively or at least unreleasably.

WO 2009/071287 A1

**Low-voltage, medium-voltage or high-voltage switchgear
assembly with at least one moveable contact**

5 The invention relates to a low-voltage, medium-voltage
or high-voltage switchgear assembly with at least one
moveable contact piece, in which the moveable contact
is connected to a stationary connection piece
electrically with a flexible connecting means, in
10 accordance with the preamble of patent claim 1.

The technical field relates to switching devices, in
particular for the medium-voltage range. These
switching devices are equipped with so-called pole
15 parts, in which vacuum interrupter chambers are
installed or cast in as actual switching elements.

The pole parts have two stationary connection pieces,
to which the switching device in the switchgear
20 assembly is connected to further components. The
stationary connection pieces are connected to the feed
lines of the vacuum interrupter chamber within the pole
part. This connection can be designed to be rigid on
one side, the fixed contact side. On the other side,
25 the switching contact side, the stationary connection
piece of the pole part needs to be connected to the
moveable feed line of the vacuum interrupter chamber in
such a way that a relative movement of the moveable
feed line is made possible. This technical object is
30 generally achieved by a rolling contact, a multi-
contact system or a connector strip.

Connector strips are usually in the form of separate
component parts, which also need to be fitted
35 separately.

- 2 -

DE 9017054 U1 has disclosed a switch pole arrangement with a moveable connector strip. This document describes an arrangement of an open pole part, in which
5 a vacuum interrupter chamber is installed in the tubular pole part via corresponding mounts. The moveable feed line is connected to the connection piece of the pole part, in this case in the form of a busbar, by means of a connector strip. The fixing of the
10 connector strip in this case takes place by means of screws.

Ring-type connector strips are also known.

15 These have the following disadvantages, however. The sum of all the electrical resistances in the pole part results, during operation with current flow, in heating of the pole part which should not exceed a specific temperature level (predetermined by standards
20 and material properties). For this reason, in principle methods and solutions are sought for reducing the total resistance of the pole part (greater conductor cross sections, material selection, optimization of the transfer resistances).

25 The solution which has until now mainly been used of connecting the connector strip to the connection piece of the pole part by means of screw connections has the disadvantage that the connecting point has a relatively
30 high electrical transfer resistance. This is brought about by the only partial surface contact of the connector strip and the connection piece in the region of the screw connection. Furthermore, the screwed connecting point also has the disadvantage of a
35 relatively high thermal resistance. Since the thermal energy which arises in the pole part is principally dissipated via the connection pieces and the conductors connected thereto, the screw connection not only

- 3 -

results in an increase in the thermal energy produced but also in a reduction in the thermal conduction and therefore overall in greater heating of the pole part.

5 The invention is therefore based on the object of producing a connection between the connector strip and the connection piece of the pole part which has an electrical and thermal resistance which is as low as possible whilst maintaining the mechanical properties
10 of a conventional connector strip solution.

The object set is achieved in the case of a low-voltage, medium-voltage or high-voltage switchgear assembly of the generic type in accordance with the
15 invention by the characterizing features of claim 1.

Further advantageous configurations are given in the dependent claims.

20 The present invention describes the optimization of the so-called connector strip solution. The essence of the invention is in this case the fact that the flexible connecting means is connected to the connection piece directly or with an intermediate piece, which can be
25 connected to the connection piece, cohesively or at least unreleasably. In this case, the arrangement according to the invention is distinguished from known designs from the prior art.

30 In the case of known designs, the connector strip, i.e. the connecting means between the contact piece feed line and the connection piece, is a separate component part, which not only needs to be fitted to the contact piece feed line of the contact piece, but also
35 additionally needs to be fitted to the connection piece. Releasable connections produce transfer resistances, however. As a result of the high potential current levels, a notably high power is released via

- 4 -

the transfer resistances, and this results in a heat flow from the conductors.

In this case moreover the term connection piece is intended to mean that connection piece which runs through the pole part wall for an external contact to the outside.

In order to reduce thermal heating within the pole part, the transfer resistance between the connecting means (connector strip) and connection piece is drastically reduced by the measure in accordance with the invention. In this case, the connecting point may be a cohesive, in a particular case even a materially cohesive, transition between the connection piece and the connector strip.

A further configuration provides that the connecting means is integrally formed materially cohesively on the connection piece or on the intermediate piece in such a way that it forms, with the connection piece or the intermediate piece, an integral unit. This is the optimum form which provides the least transfer resistance.

A further advantageous configuration provides that the connecting point between the connection piece and the connecting means, i.e. the connector strip, for example, is a pressed or cast connection.

A further advantageous configuration provides that the connection piece is a hollow-cylindrical metallic component part, in which the hollow cylinder is parallel to the contact piece actuation axis and at least one connecting means is arranged within the hollow cylinder and is connected to the hollow cylinder section integrally and materially cohesively or in pressed fashion.

- 5 -

A further configuration consists in the fact that two connector strips are arranged on diametrically opposite sides and can be attached centrally one above the other
5 to the contact piece feed line of the moveable contact piece.

Further advantageous is the fact that the connector strips are designed to be flexible.

10

A further configuration consists in the fact that the connector strips can be fitted in such a way that they are bent forwards in one direction. In this case, even greater flexibility in the mechanical actuation
15 excursion is made possible.

A special but likewise effective and advantageous configuration consists in the fact that four connector strips, in each case two diametrically positioned
20 connector strips, are each arranged in such a way that they are bent forwards in one direction.

A specific embodiment is that a type of sheet membrane is provided as the connecting means, which sheet
25 membrane is connected centrally with screw means on the moveable contact pin and at the edge to the hollow-cylindrical section of the connection piece.

As a result of the configuration in which the sheet
30 membrane is a concentrically corrugated membrane, increased flexibility when implementing the membrane is achieved.

The invention is illustrated in the drawing and
35 described in more detail below.

In the drawing:

- 6 -

figure 1: shows a first embodiment with an integrally formed connector strip,

5 figure 2: shows a second embodiment with a cylindrical connection piece,

figure 3: shows a side view of the installed state with respect to figure 2,

10 figure 4: shows an embodiment as in figures 2/3 only with the central connection piece with drilled hole,

15 figure 5: shows an embodiment as above with connector strips bent forward,

figure 6: shows an embodiment as above with connector strips bent forward in the form of a U,

20 figure 7: shows an embodiment with four bent connector strips, and

25 figure 8: shows an embodiment with a membrane as the electrical connecting element.

Figure 1 shows a first embodiment. In this regard it is proposed to connect the connector strip cohesively to the connection piece. For this purpose, one end of the connector strip is intended to be pressed or cast directly with the connection piece during warm-pressing or metal-casting of the connection piece. This results in an integral connection piece, in which the outer connection piece merges cohesively with the flexible electrical transition. As a result of this measure, the total resistance (electrical and thermal) is markedly reduced in comparison with a screw connection.

30
35

- 7 -

Figure 2 shows a second embodiment, in which, in addition to the simple embodiment with a single connector strip, a multiple embodiment is also proposed, in which a plurality of connector strips are cohesively connected to an approximately hollow-cylindrical connection piece. When arranging the connector strips care should be taken to ensure that the electrical resistances of the various electrical paths are virtually equal, so that the current is split uniformly. This can take place by the cross sections of the flexible conductors or of subregions of the connection piece being adjusted.

Figure 3 shows the side view of the installed state of the embodiment with respect to figure 2.

In the previous arrangements it has been assumed that the pressed or fused-in connector strips are standard connector strips which are used in this form in the prior art. The connection to the vacuum interrupter chamber then takes place via the existing drilled-through holes in the end faces of the connector strips by means of a pushed-through connection.

Figure 4 shows a further design embodiment, namely using a special connector strip, in which two or more flexible conductors are connected in the center to form a common plate. The connection can in this case take place by means of various, known methods, such as welding, diffusion welding or soldering.

Figure 6 shows a development of this concept in which, in one step, individual connector strips are cohesively connected to the outer and one inner connection piece. The position and the number of the flexible connections used can be selected very differently; a few embodiments are already illustrated in figures 5 and 7.

- 8 -

Figure 8 shows a further embodiment of the basic concept in which the use of a sheet membrane or corrugated washer, which is, with a round embodiment, attached to the entire inner circumference of the connection piece or is connected thereto in an interlocking manner, is also proposed.

As in the case of the connector strips, in this case it would probably be necessary to place a large number of corrugated washers one above the other for sufficient current-carrying capacity. In the essentially air-tight embodiment shown, during switching the compression or decompression of the air enclosed between the membrane and the vacuum interrupter chamber would result in damping of the switching process. This leads to an optimized switching response of the circuit breaker as a result of the reduced rebound response or reverse response during opening of the contact pieces. In order to vary the damping, it is possible to provide the corrugated washers with defined openings (for example drilled holes) in order to produce targeted pressure compensation. In addition, the openings can contribute to the cooling of the current transfer as a result of the air exchange produced.

- 9 -

Patent claims:

1. A low-voltage, medium-voltage or high-voltage switchgear assembly with at least one moveable contact
5 piece, in which the moveable contact piece is connected to a connection piece electrically with a flexible connecting means,
wherein
the flexible connecting means is connected to the
10 connection piece directly or with an intermediate piece, which can be connected to the connection piece, cohesively or at least unreleasably.

2. The low-voltage, medium-voltage or high-voltage
15 switchgear assembly as claimed in claim 1,
wherein
the connecting means is integrally formed materially cohesively on the connection piece or on the
intermediate piece in such a way that it forms, with
20 the connection piece or the intermediate piece, an integral unit.

3. The low-voltage, medium-voltage or high-voltage
switchgear assembly as claimed in claim 1,
25 **wherein**
the connecting point between the connection piece and the connecting means is a pressed or cast connection.

4. The low-voltage, medium-voltage or high-voltage
30 switchgear assembly as claimed in claim 1,
wherein
the connection piece is a hollow-cylindrical metallic component part, in which the hollow cylinder is
parallel to the contact actuation axis, and at least
35 one connecting means is arranged within the hollow cylinder and is connected to the hollow cylinder section integrally and materially cohesively or in pressed fashion.

- 10 -

5. The low-voltage, medium-voltage or high-voltage switchgear assembly as claimed in claim 4,
wherein

5 two connector strips are arranged on diametrically opposite sides as connecting means and can be attached centrally one above the other to the contact piece feed line of the moveable contact.

10 6. The low-voltage, medium-voltage or high-voltage switchgear assembly as claimed in claim 5,
wherein

the connector strips are designed to be flexible.

15 7. The low-voltage, medium-voltage or high-voltage switchgear assembly as claimed in claim 6,
wherein

the connector strips are fitted such that they are bent forward in one direction.

20

8. The low-voltage, medium-voltage or high-voltage switchgear assembly as claimed in claim 7,
wherein

25 4 connector strips, in each case two diametrically positioned connector strips, are each arranged such that they are bent forward in one direction.

9. The low-voltage, medium-voltage or high-voltage switchgear assembly as claimed in claim 1,

30 **wherein**

a type of sheet-metal membrane is provided as the connecting means, which sheet-metal membrane is connected centrally using screw means on the moveable contact piece feed line and at the edge to the hollow-
35 cylindrical section of the connection piece.

- 11 -

10. The low-voltage, medium-voltage or high-voltage
switchgear assembly as claimed in claim 9,
wherein
the sheet-metal membrane is a concentrically corrugated
5 membrane.

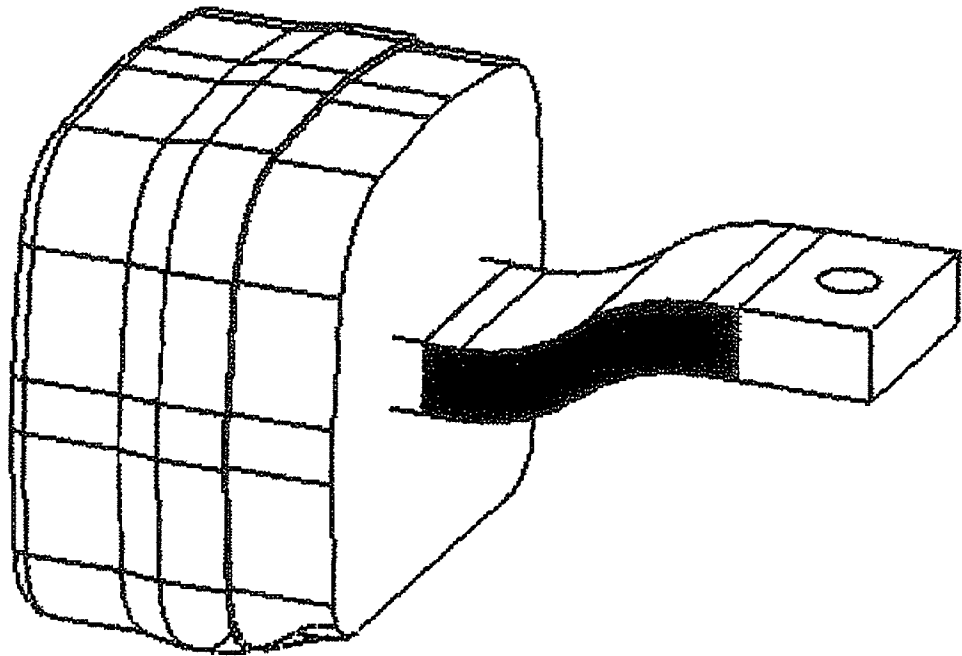


Figure 1

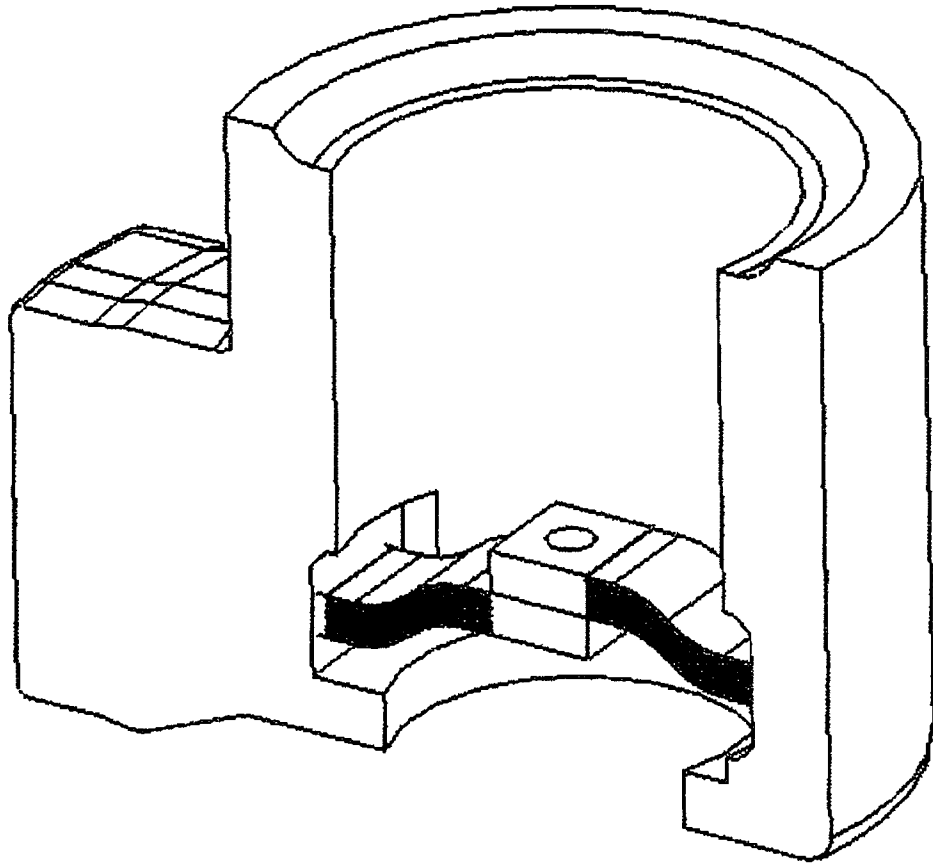


Figure 2

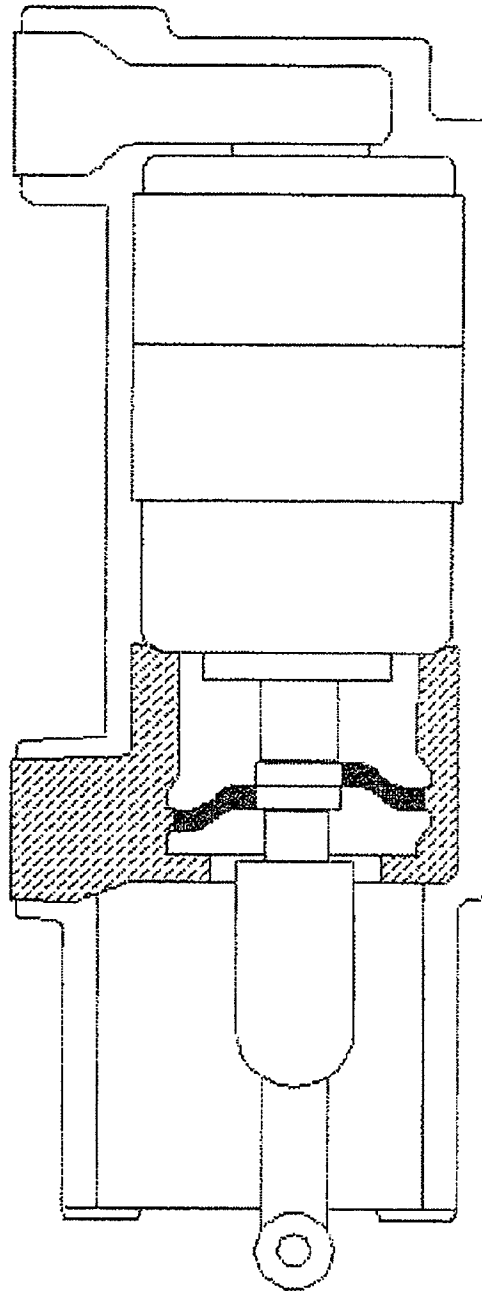


Figure 3

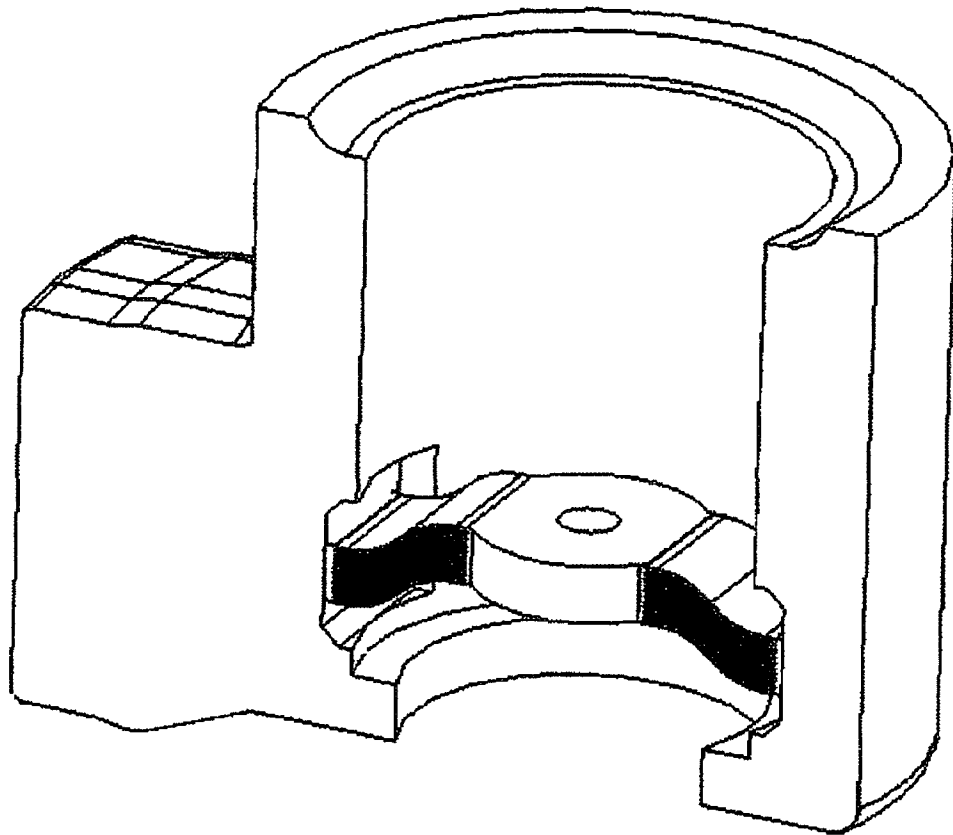


Figure 4

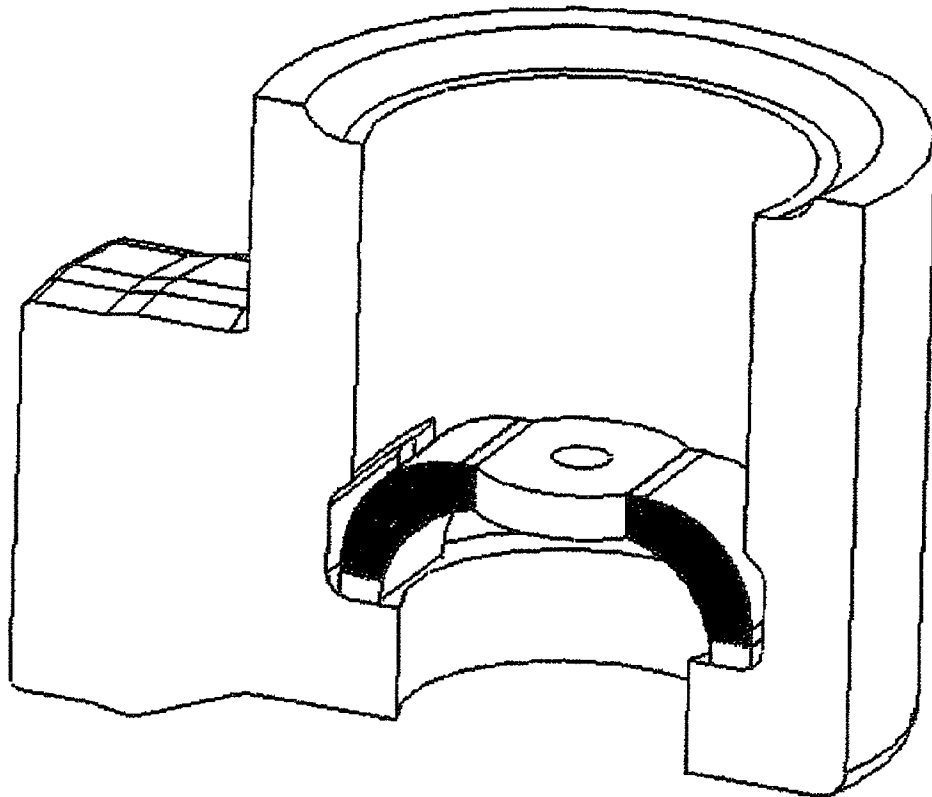


Figure 5

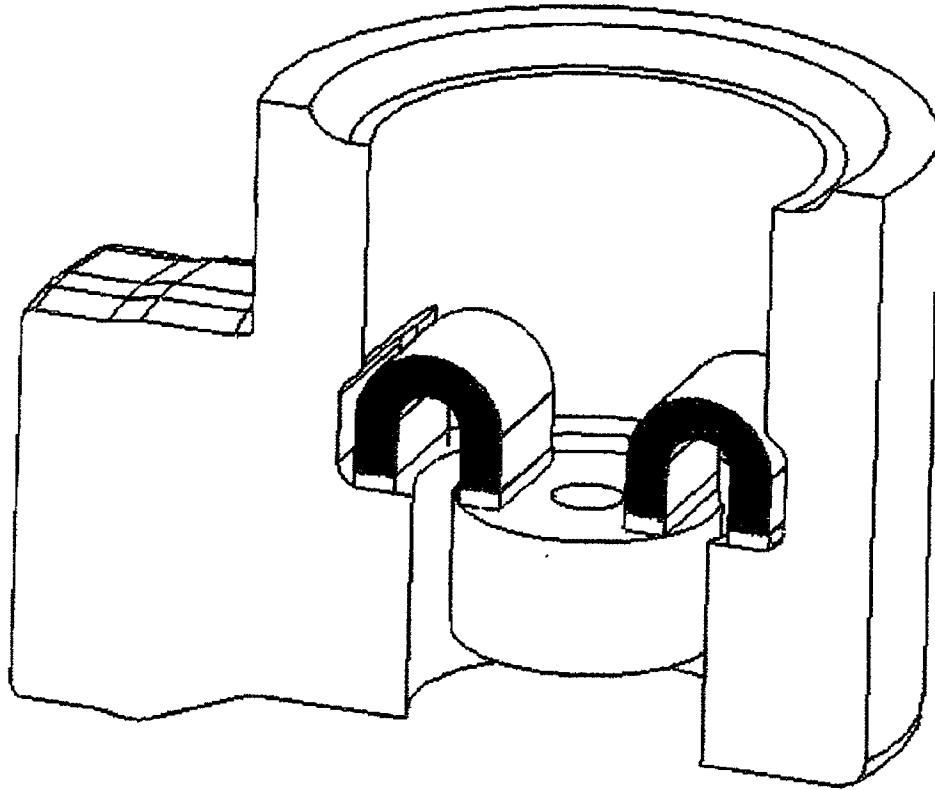


Figure 6

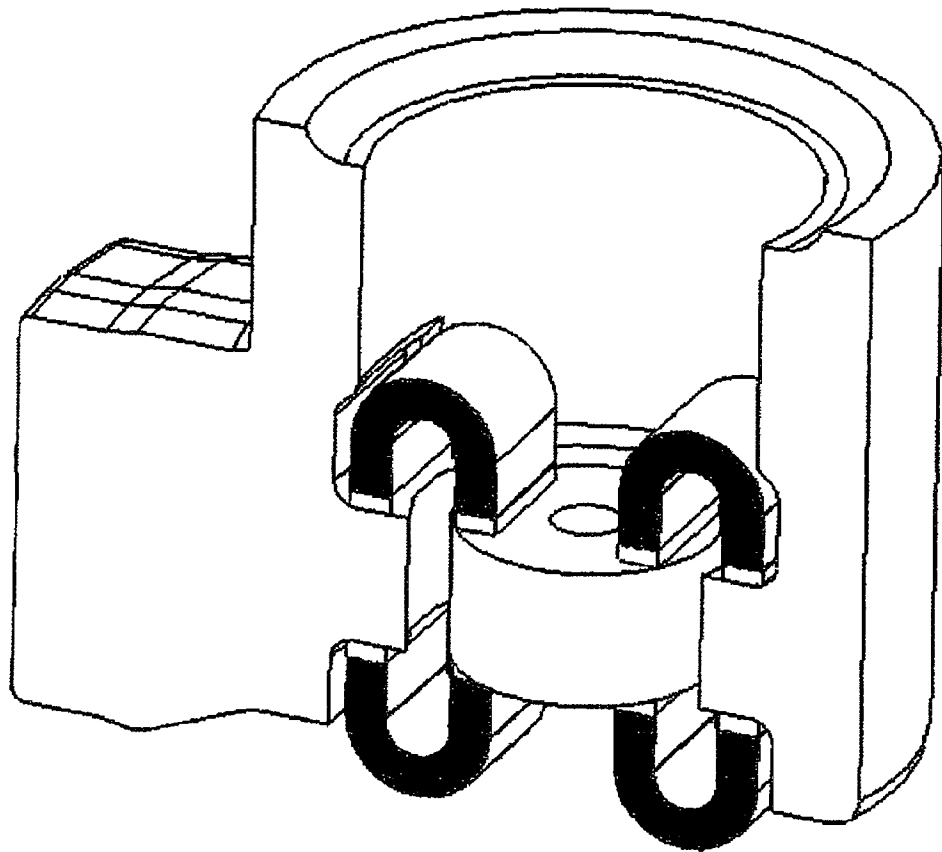


Figure 7

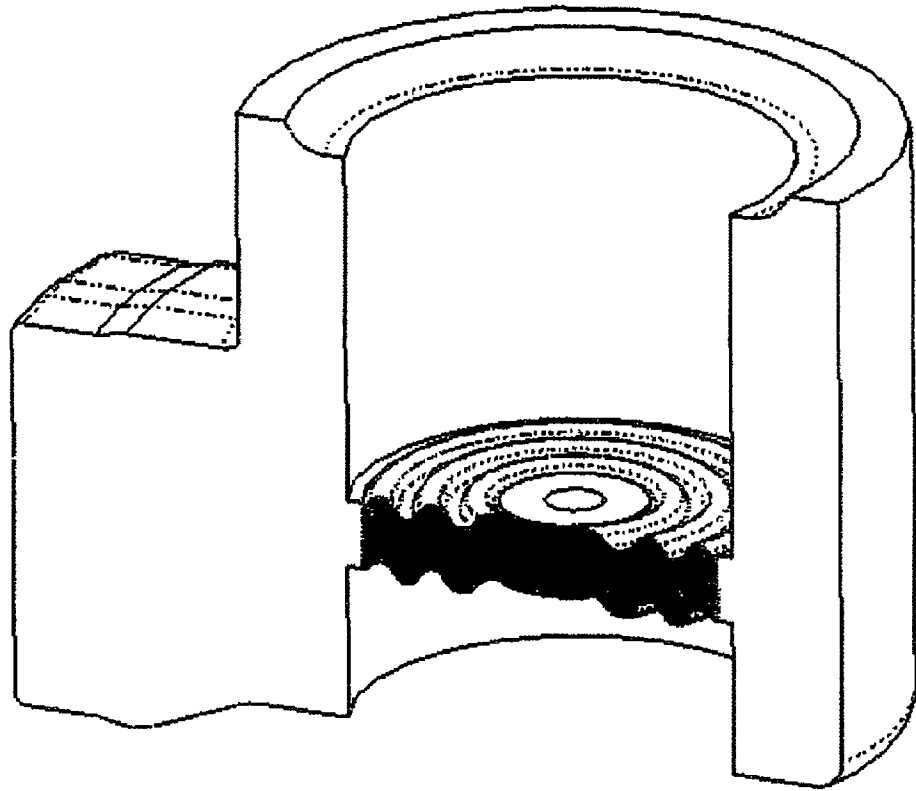


Figure 8

INTERNATIONAL SEARCH REPORT

International application No
PCT/EP2008/010260

A. CLASSIFICATION OF SUBJECT MATTER INV. H01H1/58		
According to International Patent Classification (IPC) or to both national classification and IPC		
B. FIELDS SEARCHED		
Minimum documentation searched (classification system followed by classification symbols) H01H		
Documentation searched other than minimum documentation to the extent that such documents are included in the fields searched		
Electronic data base consulted during the international search (name of data base and, where practical, search terms used) EPO-Internal		
C. DOCUMENTS CONSIDERED TO BE RELEVANT		
Category*	Citation of document, with indication, where appropriate, of the relevant passages	Relevant to claim No.
X	DE 20 2006 007973 U1 (SIEMENS AG [DE]) 3 August 2006 (2006-08-03) paragraph [0014]; figure 3	1,2
Y A	----- US 6 751 849 B1 (HELMKE ULRICH [DE] ET AL) 22 June 2004 (2004-06-22) abstract	3,9 4-8,10
Y	----- US 3 393 389 A (MAWNEY ROBERT G ET AL) 16 July 1968 (1968-07-16) figure 2	9
<input type="checkbox"/> Further documents are listed in the continuation of Box C.		
<input checked="" type="checkbox"/> See patent family annex.		
* Special categories of cited documents :		
A document defining the general state of the art which is not considered to be of particular relevance *E* earlier document but published on or after the international filing date *L* document which may throw doubts on priority claim(s) or which is cited to establish the publication date of another citation or other special reason (as specified) *O* document referring to an oral disclosure, use, exhibition or other means *P* document published prior to the international filing date but later than the priority date claimed		
T later document published after the international filing date or priority date and not in conflict with the application but cited to understand the principle or theory underlying the invention *X* document of particular relevance; the claimed invention cannot be considered novel or cannot be considered to involve an inventive step when the document is taken alone *Y* document of particular relevance; the claimed invention cannot be considered to involve an inventive step when the document is combined with one or more other such documents, such combination being obvious to a person skilled in the art. *&* document member of the same patent family		
Date of the actual completion of the international search <p align="center">12 March 2009</p>	Date of mailing of the international search report <p align="center">25/03/2009</p>	
Name and mailing address of the ISA/ European Patent Office, P.B. 5818 Patentlaan 2 NL - 2280 HV Rijswijk Tel. (+31-70) 340-2040, Fax: (+31-70) 340-3016	Authorized officer <p align="center">Simonini, Stefano</p>	

INTERNATIONAL SEARCH REPORT

Information on patent family members

International application No

PCT/EP2008/010260

Patent document cited in search report	Publication date	Patent family member(s)	Publication date
DE 202006007973 U1	03-08-2006	CN 201015105 Y	30-01-2008
		EP 2016601 A1	21-01-2009
		WO 2007128831 A1	15-11-2007
US 6751849 B1	22-06-2004	WO 0044013 A1	27-07-2000
		DE 19902836 A1	27-07-2000
		EP 1149394 A1	31-10-2001
		JP 2003504793 T	04-02-2003
US 3393389 A	16-07-1968	NONE	