



US00D341814S

United States Patent [19]

[11] **Patent Number: Des. 341,814**

Krogauger

[45] **Date of Patent: ** Nov. 30, 1993**

- [54] **ELECTRIC POWER DISTRIBUTION UNIT**
- [75] **Inventor: William G. Krogauger, Chatsworth, Calif.**
- [73] **Assignee: Mole-Richardson Co., Hollywood, Calif.**
- [**] **Term: 14 Years**
- [21] **Appl. No.: 548,729**
- [22] **Filed: Jul. 2, 1990**
- [52] **U.S. Cl. D13/123; D13/110**
- [58] **Field of Search D13/110, 123, 124; D8/394, 396; 307/150; 361/334, 346**

- 3,717,805 2/1973 Gnaedinger et al. 307/150 X
- 4,331,883 5/1982 Vitaloni D13/110 X
- 4,390,926 6/1983 Hart 361/334

Primary Examiner—Wallace R. Burke
Assistant Examiner—Joel Sincavage
Attorney, Agent, or Firm—Edward A. Sokolski

[57] CLAIM

The ornamental design for an electric power distribution unit, as shown and described.

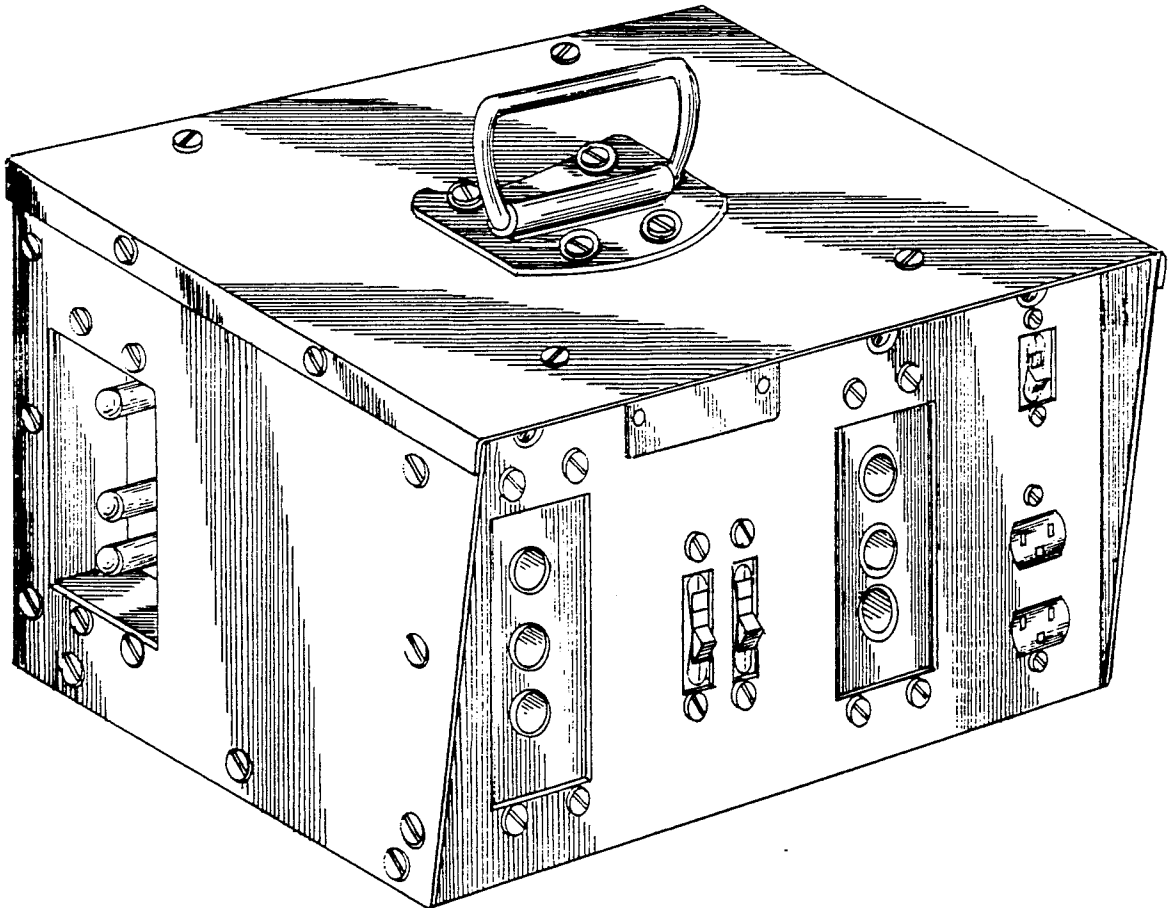
DESCRIPTION

FIG. 1 is a front elevational view showing my new design for an electric power distribution unit; FIG. 2 is a top plan view thereof; FIG. 3 is a bottom plan view thereof; FIG. 4 is a rear elevational view thereof; FIG. 5 is a left hand side elevational view thereof; FIG. 6 is a right hand side elevational view thereof; and, FIG. 7 is a front and upper left perspective view thereof.

[56] References Cited

U.S. PATENT DOCUMENTS

- D. 210,731 4/1968 Siegel D13/110
- D. 221,957 9/1971 Smyth D13/110
- D. 268,024 2/1983 Litt et al. D13/110
- D. 276,495 11/1984 Sylvia D13/110 X



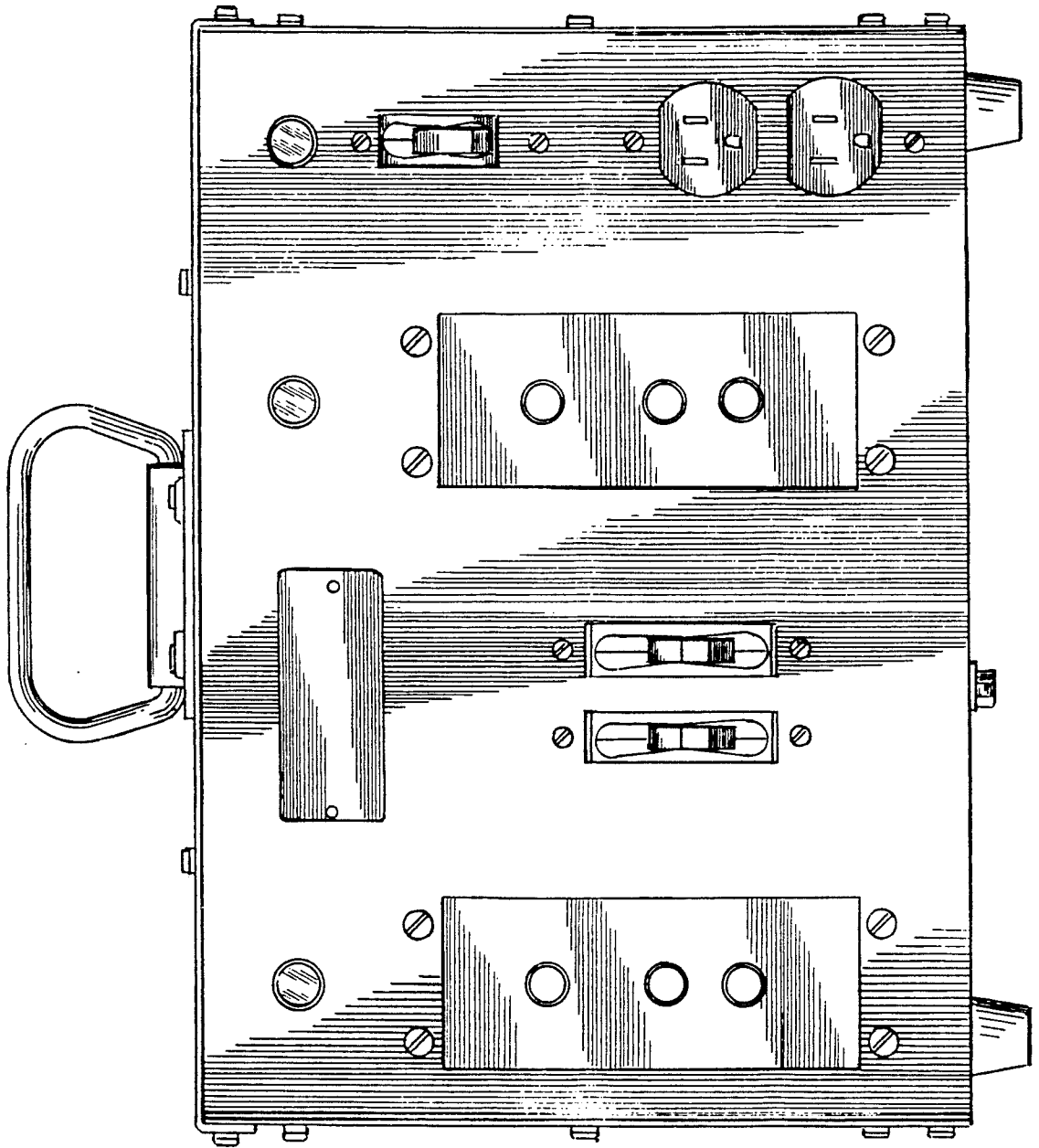


FIG. 1

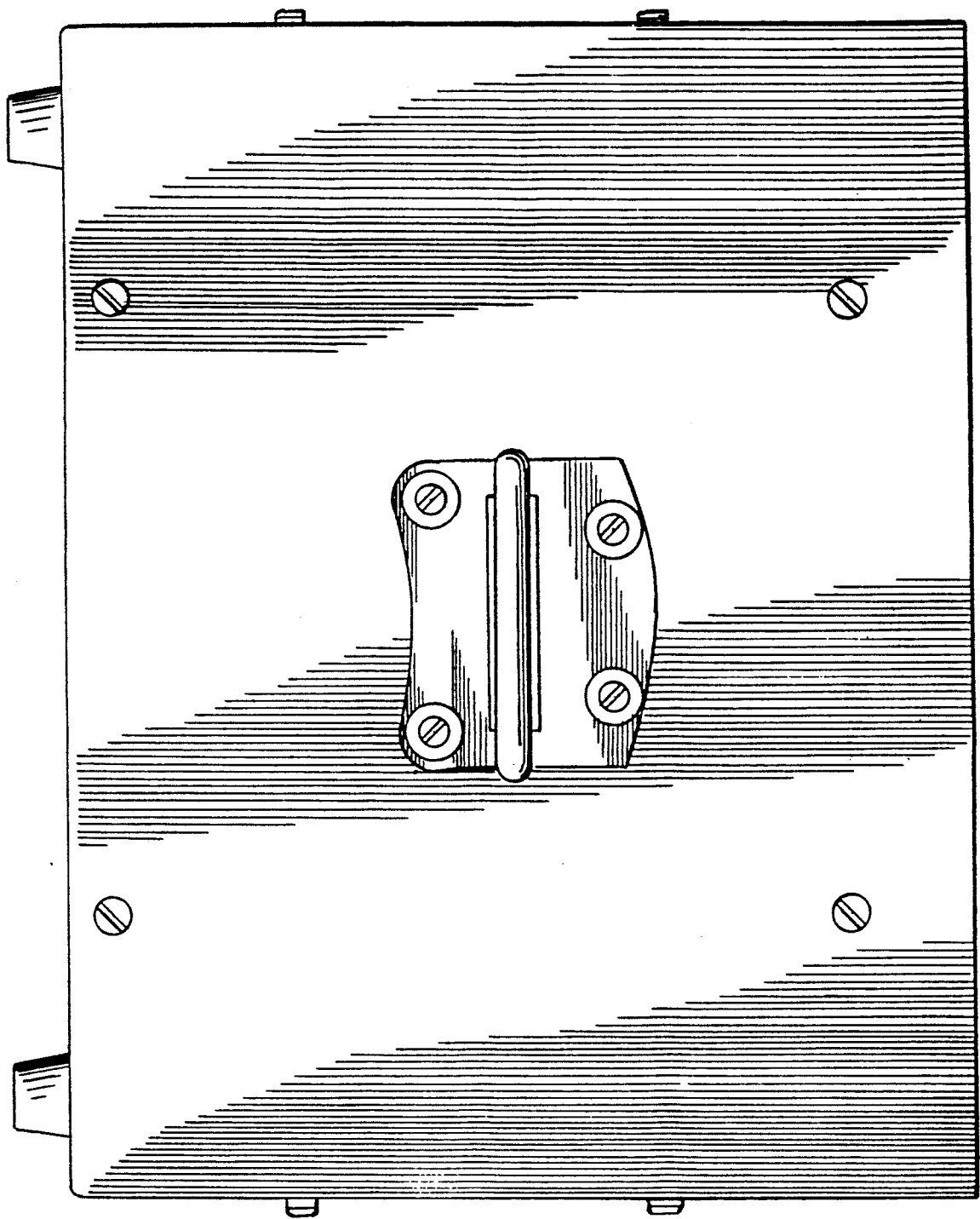


FIG. 2

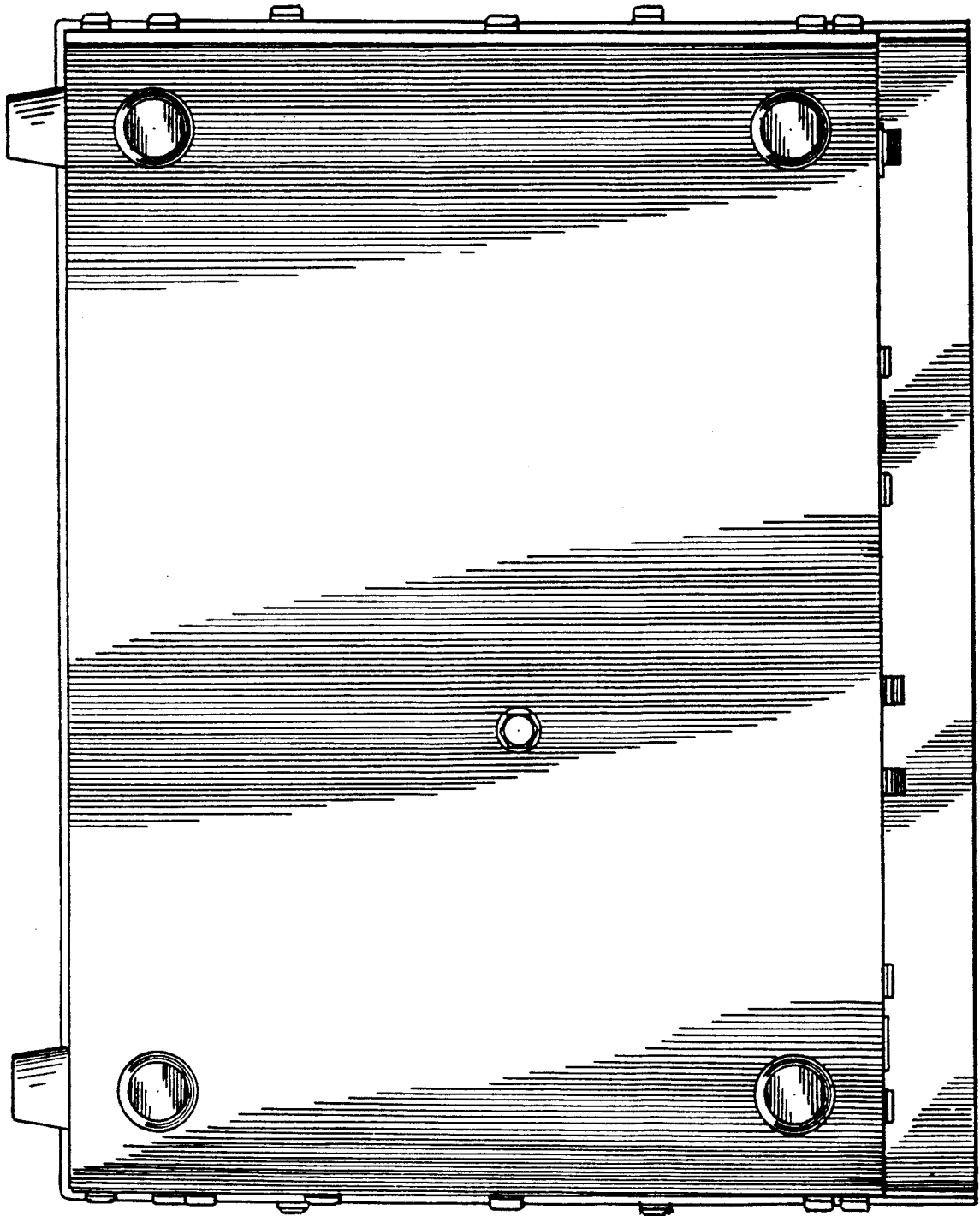


FIG. 3

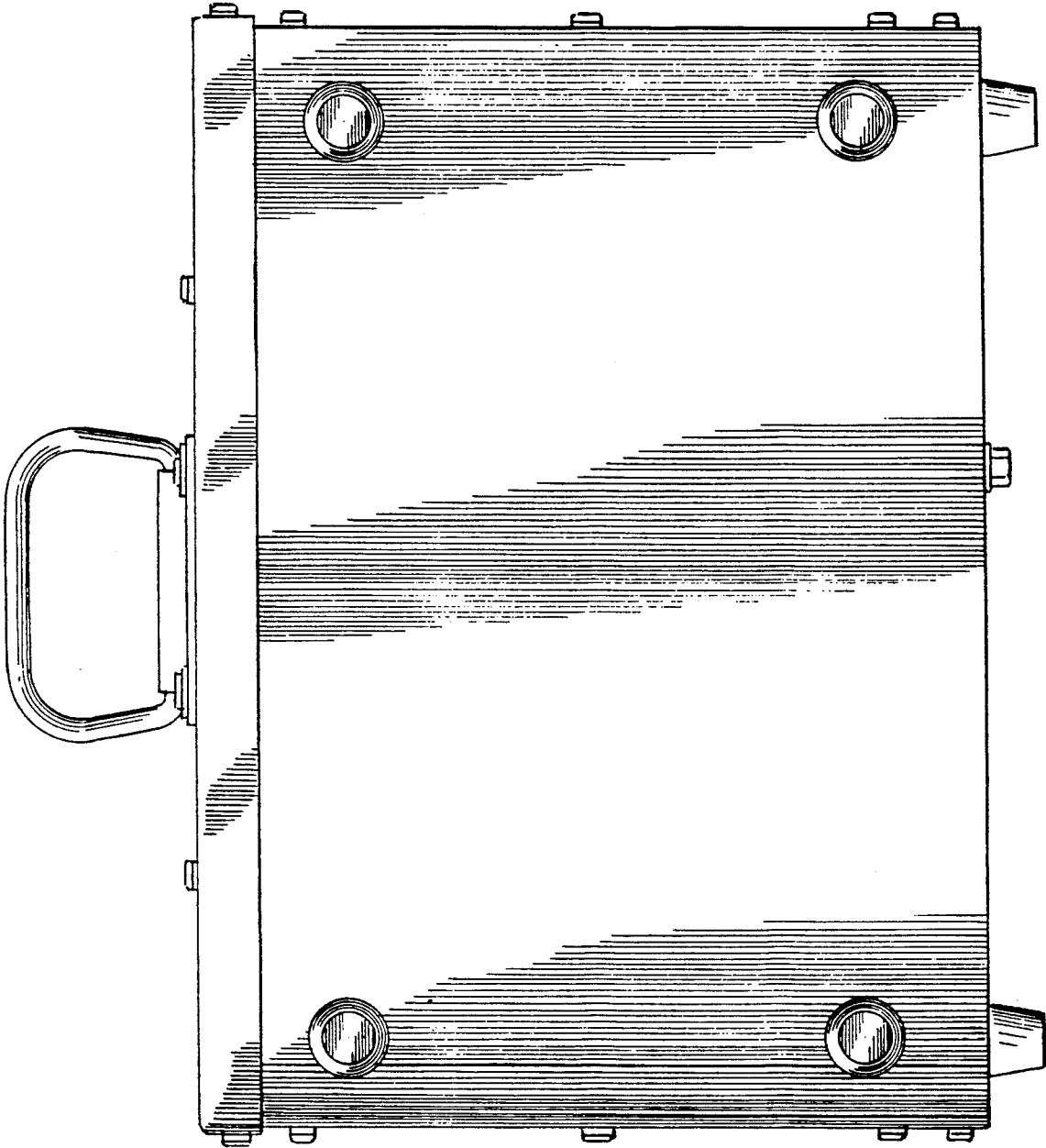


FIG. 4

FIG. 5

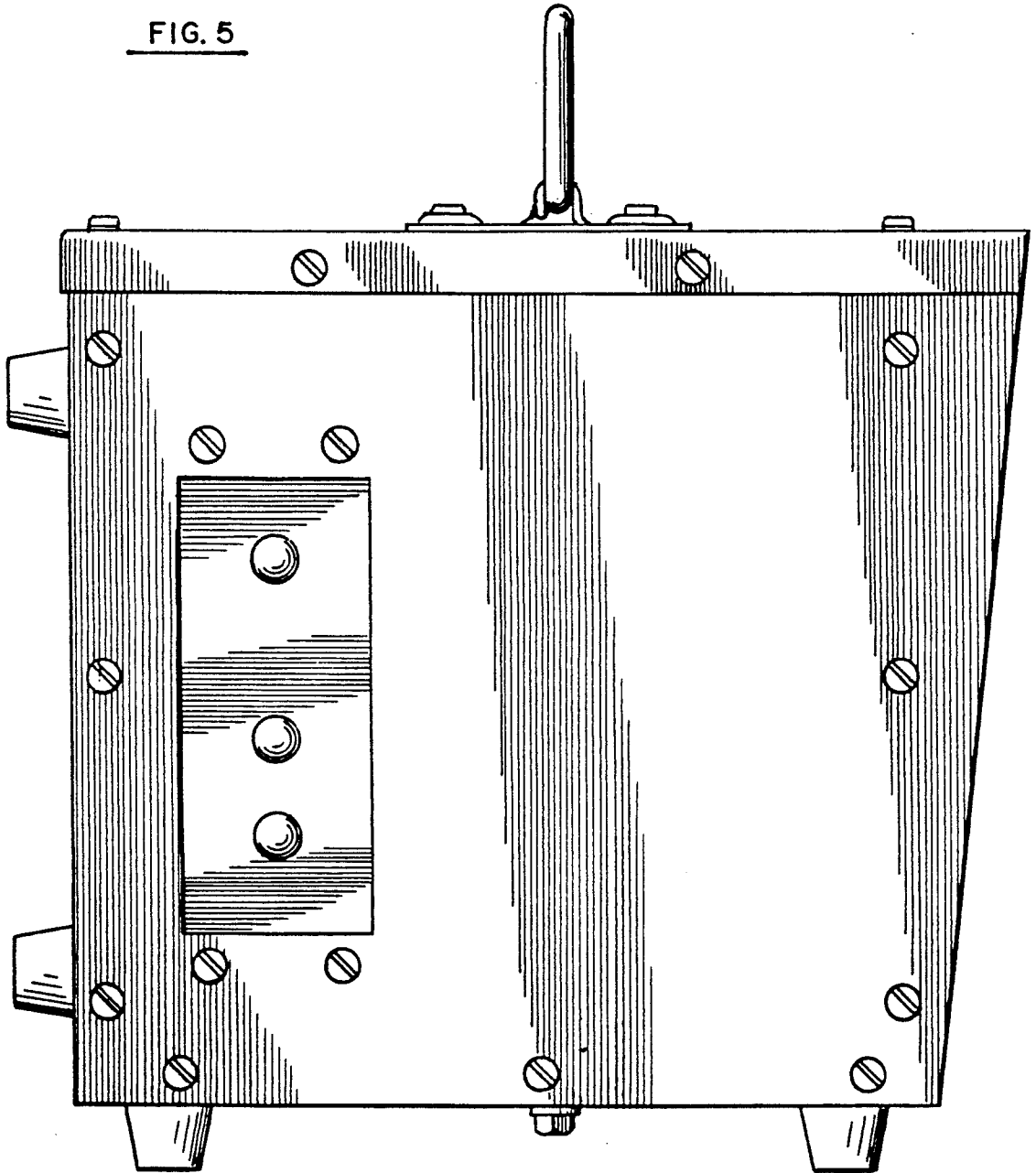
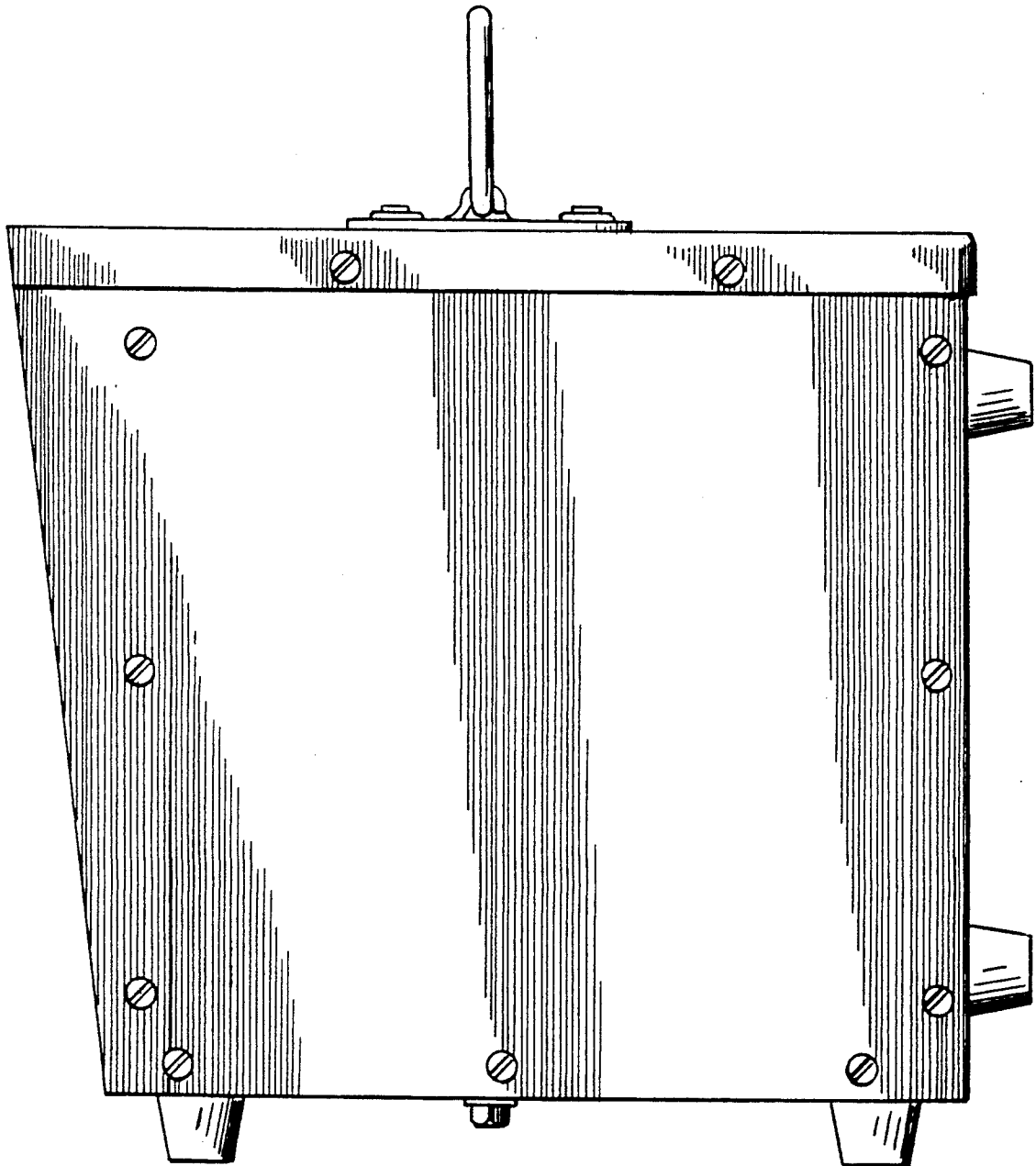


FIG. 6



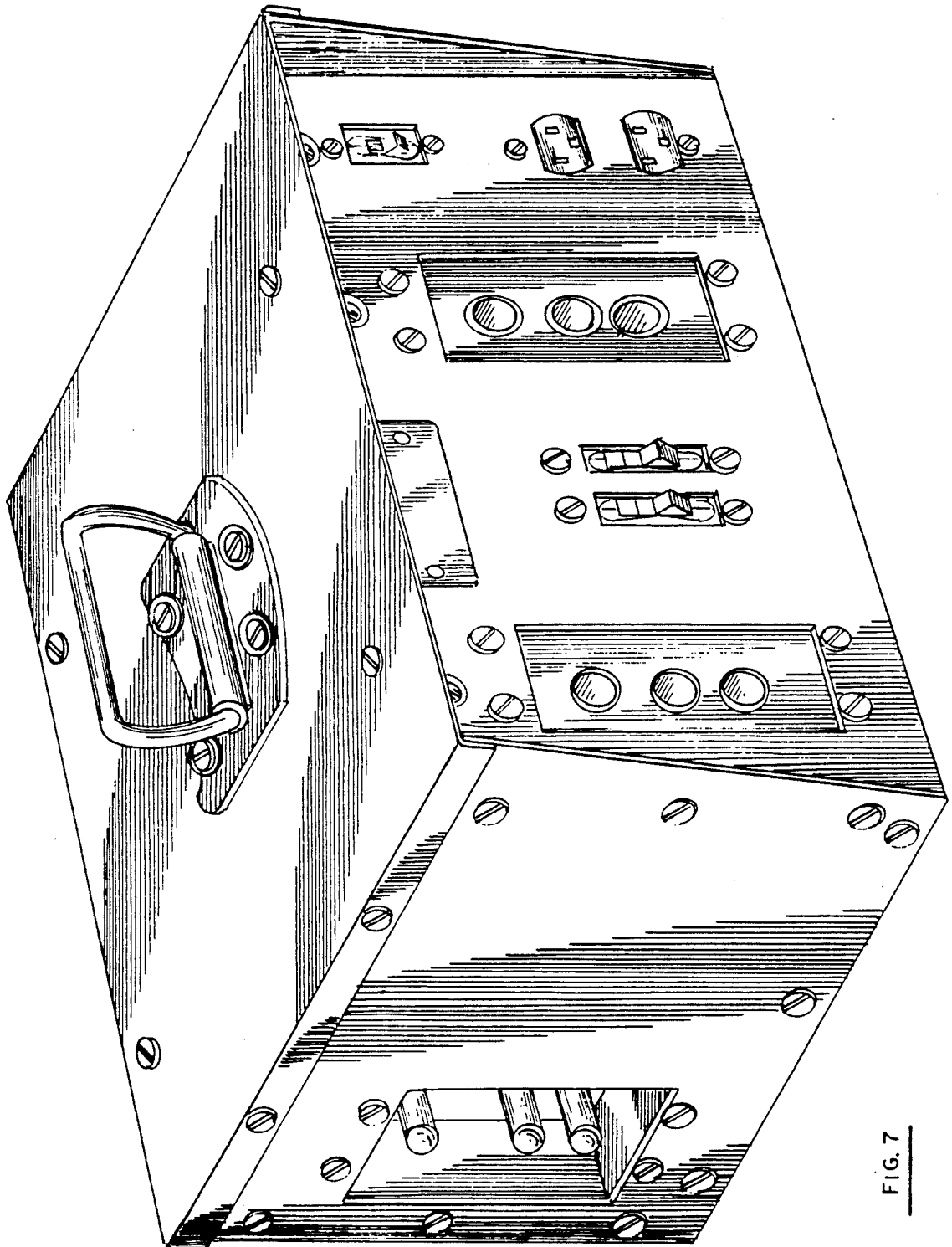


FIG. 7