



(12) **United States Design Patent**  
**Gibson**

(10) **Patent No.:** **US D792,159 S**  
(45) **Date of Patent:** **\*\* Jul. 18, 2017**

(54) **BEVERAGE CONTAINER**

(71) Applicant: **Tyler Allen Gibson**, Franklin, TN (US)

(72) Inventor: **Tyler Allen Gibson**, Franklin, TN (US)

(\*\*) Term: **15 Years**

(21) Appl. No.: **29/538,223**

(22) Filed: **Sep. 1, 2015**

(51) **LOC (10) Cl.** ..... **07-01**

(52) **U.S. Cl.**  
USPC ..... **D7/533**; D7/514; D7/515; D7/511;  
D8/21

(58) **Field of Classification Search**  
USPC ..... D7/507, 509, 510, 511, 523, 529, 531,  
D7/532, 533, 535, 536, 392.1, 396.2, 387,  
D7/543, 514, 515, 508; D8/33, 34, 22,  
D8/21; 220/592.16, 592.17, 295.03, 718,  
220/719; 81/3.43; D9/679  
CPC .. B25B 13/52; B67B 7/00; B67B 7/14; B67B  
7/16; A47G 19/22; A47G 19/2227; A45F  
3/20

See application file for complete search history.

(56) **References Cited**

**U.S. PATENT DOCUMENTS**

1,516,240	A *	11/1924	Osterberg	.....	B25B 13/52
					81/3.43
D177,575	S *	5/1956	Louik	.....	D7/511
2,837,947	A *	6/1958	Handford	.....	B67B 7/184
					81/3.25
D194,053	S *	11/1962	Nels	.....	D7/536
3,409,208	A *	11/1968	Eicholtz	.....	A47G 23/0216
					220/743
4,130,215	A *	12/1978	Corey	.....	A47G 19/2205
					220/719
D254,764	S *	4/1980	Werner	.....	D7/515
D269,147	S *	5/1983	Trombly	.....	D7/536
4,552,040	A *	11/1985	Bang	.....	B25B 13/52
					81/3.43
4,750,388	A *	6/1988	Hagen	.....	B25B 27/0042
					81/177.7
D300,195	S *	3/1989	Pitzer	.....	D7/533

(Continued)

**OTHER PUBLICATIONS**

Oil Filter Wrench image obtained Jul. 23, 2015 from <https://www.google.com/search?q=oil+filter+wrench&biw=1489&bih=854&tbn=isch&tbo=u&source=univ&sa=X&sqi=2&ved=0CEIQsARqFQoTCLvb7eDnxscCFQ-EDQod5fsFjA>.

(Continued)

*Primary Examiner* — Marianne Pandozzi

*Assistant Examiner* — Jae Liang

(74) *Attorney, Agent, or Firm* — Lodestone Legal Group;  
Jerome V. Sartain

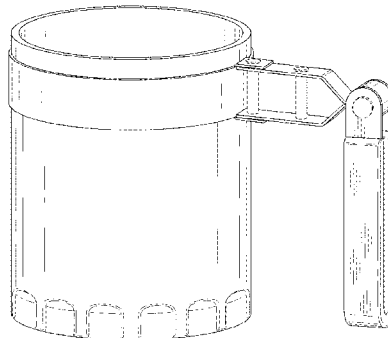
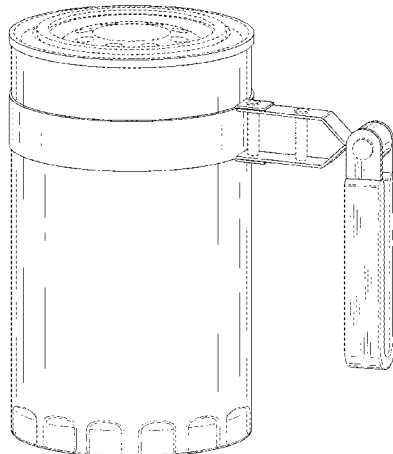
(57) **CLAIM**

The ornamental design for a beverage container, as shown and described.

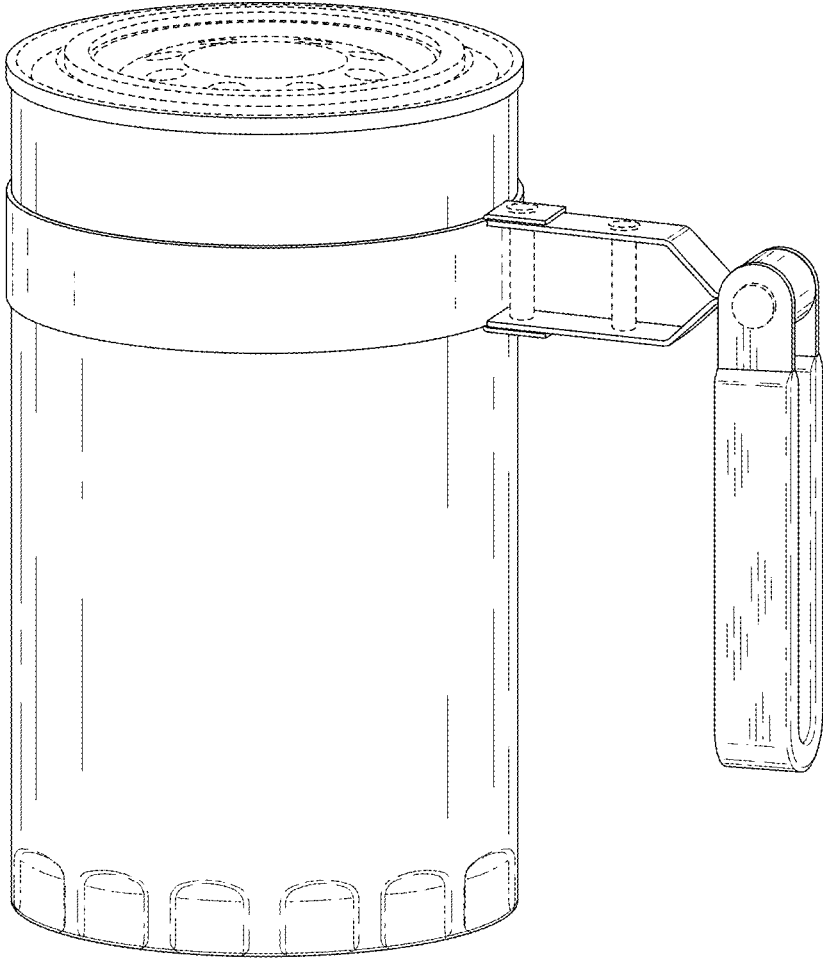
**DESCRIPTION**

FIG. 1 is a perspective view of a first embodiment of a beverage container showing my new design;  
FIG. 2 is a front view thereof;  
FIG. 3 is a rear view thereof;  
FIG. 4 is a left side view thereof;  
FIG. 5 is a right side view thereof;  
FIG. 6 is a top view thereof;  
FIG. 7 is a bottom view thereof;  
FIG. 8 is a perspective view of a second embodiment of a beverage container;  
FIG. 9 is a front view thereof;  
FIG. 10 is a rear view thereof;  
FIG. 11 is a left side view thereof;  
FIG. 12 is a right side view thereof;  
FIG. 13 is a top view thereof; and,  
FIG. 14 is a bottom view thereof.  
The broken lines in the drawing depict portions of the beverage container that form no part of the claimed design.

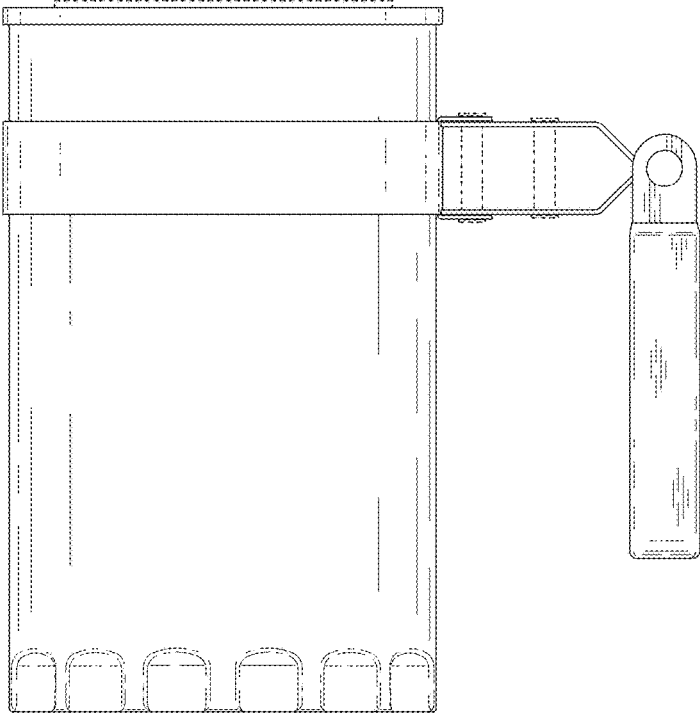
**1 Claim, 8 Drawing Sheets**



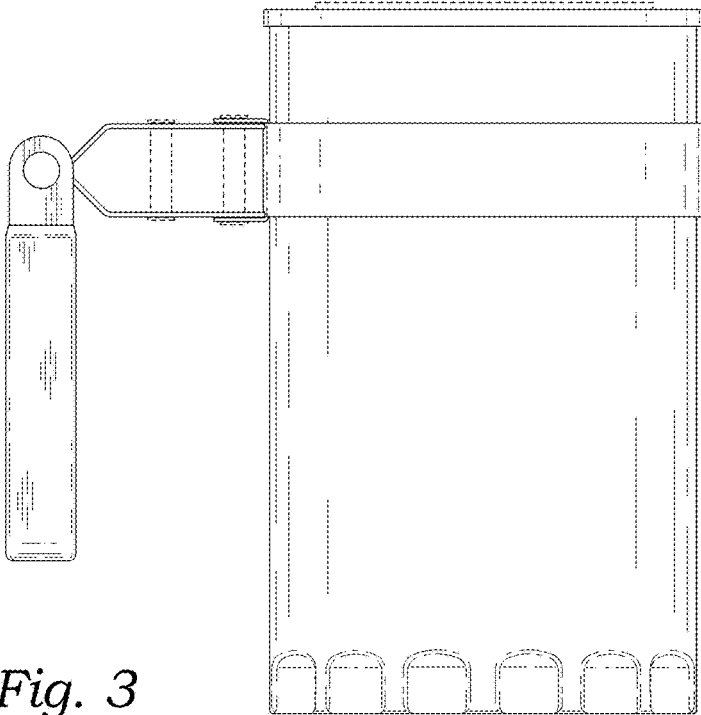




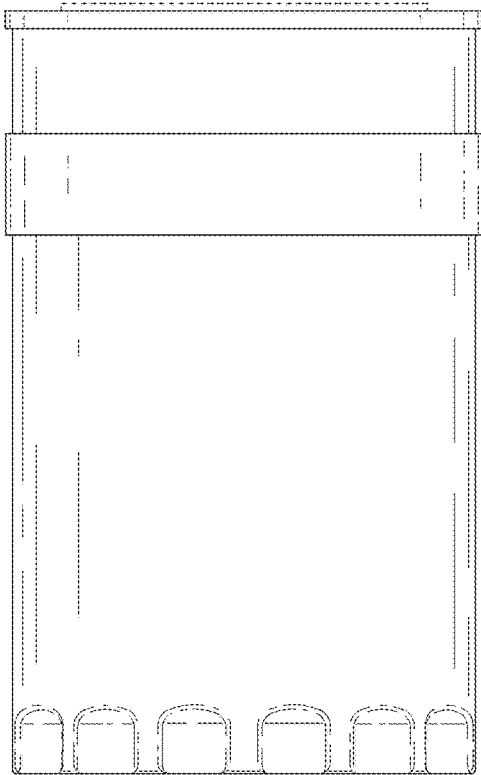
*Fig. 1*



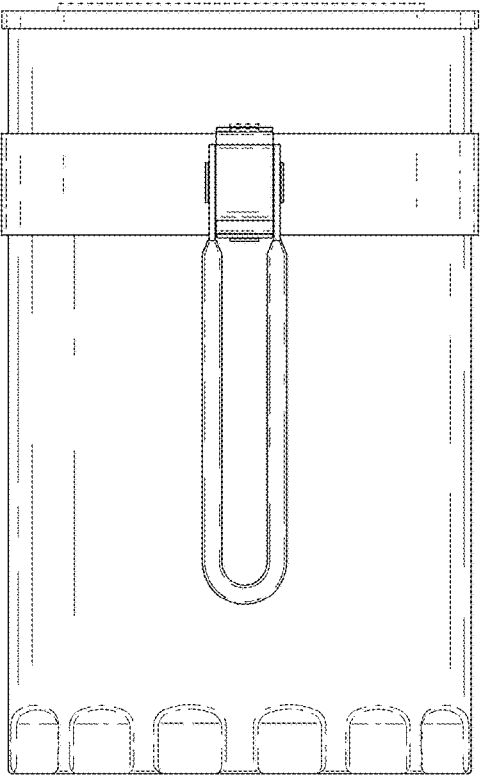
*Fig. 2*



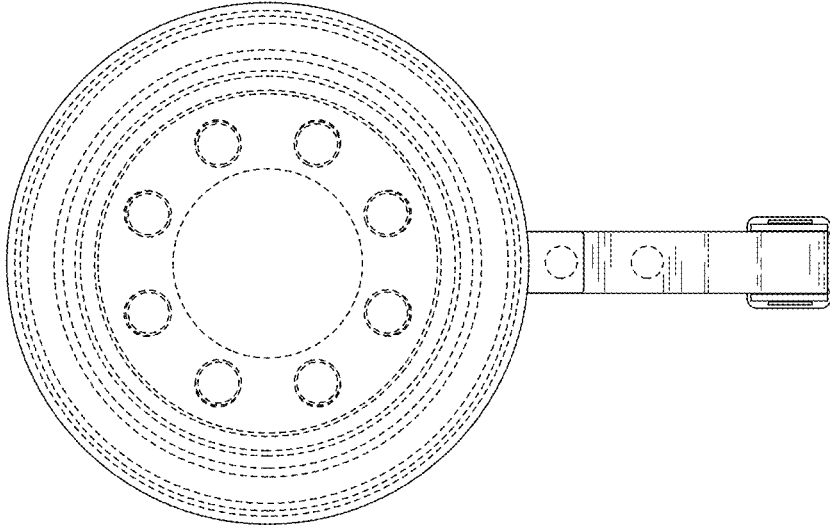
*Fig. 3*



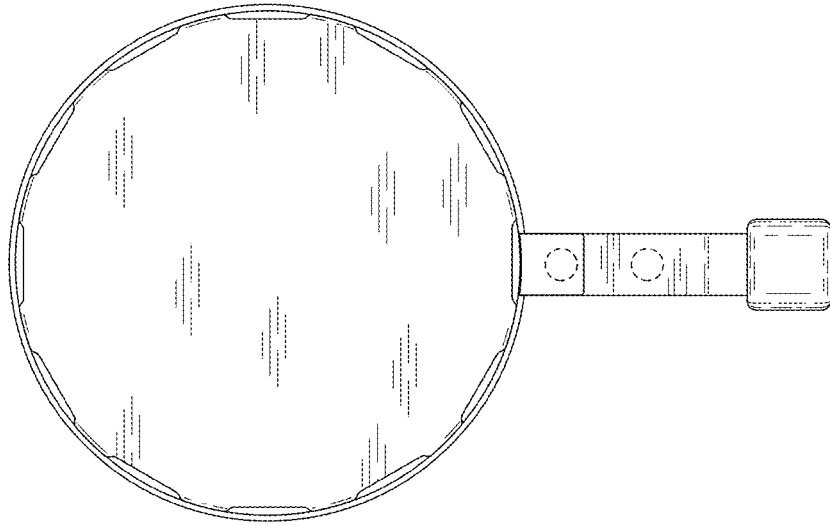
*Fig. 4*



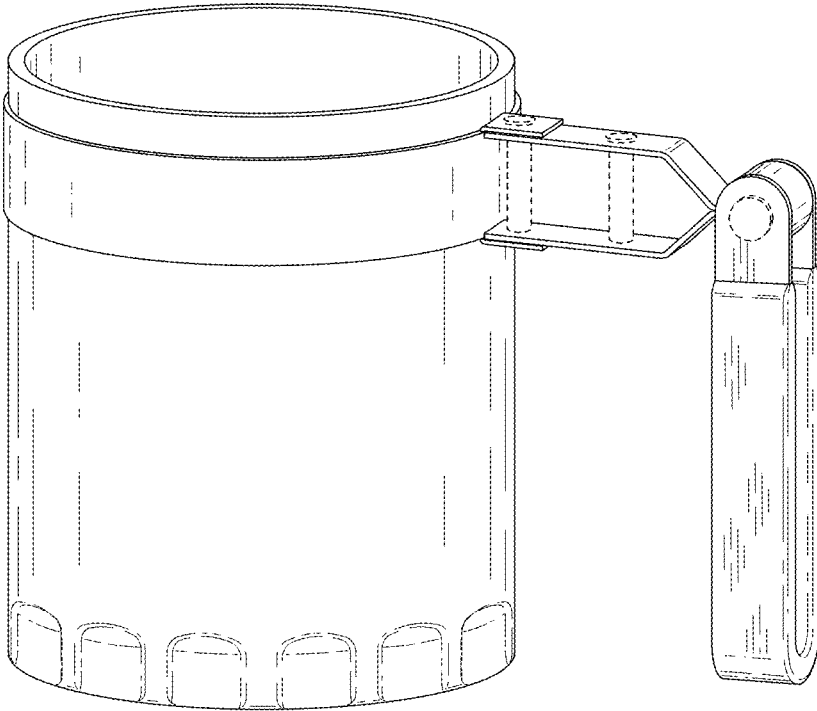
*Fig. 5*



*Fig. 6*



*Fig. 7*



*Fig. 8*

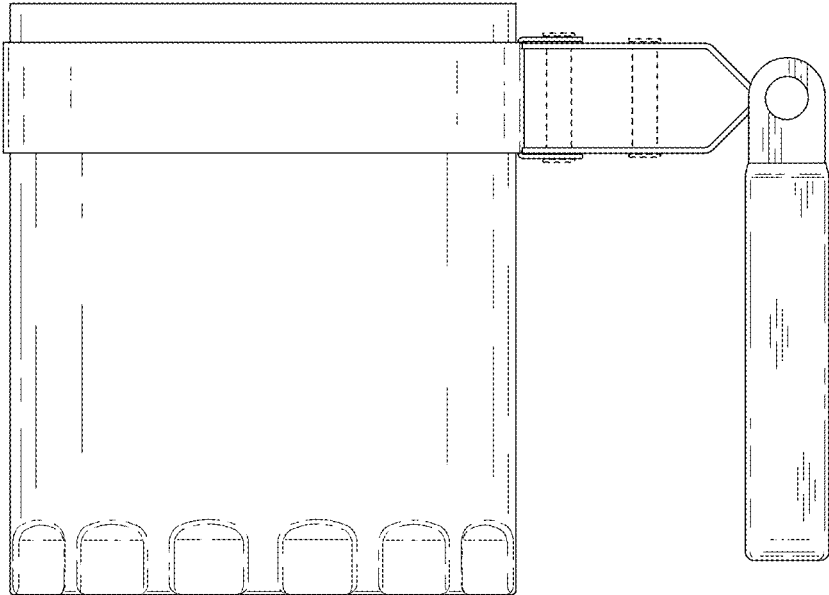


Fig. 9

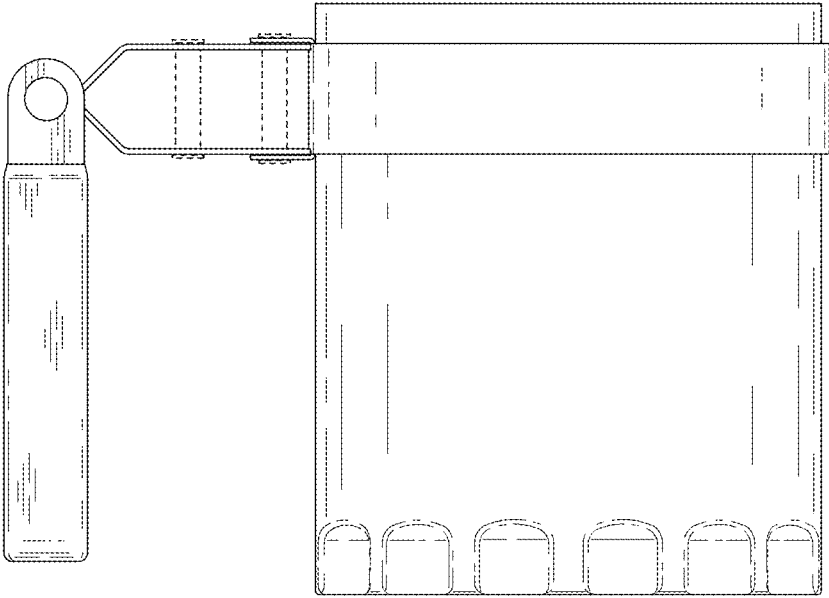
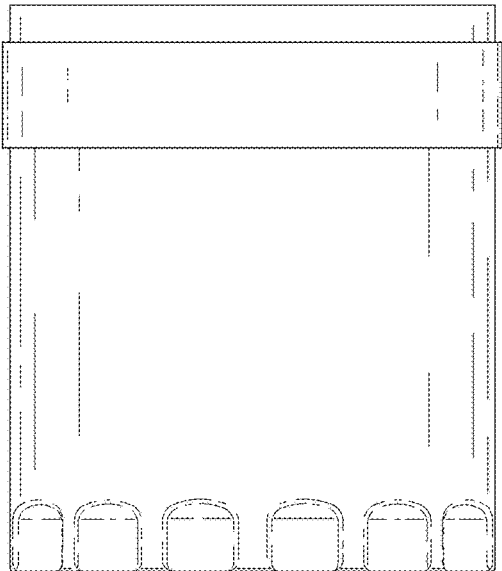
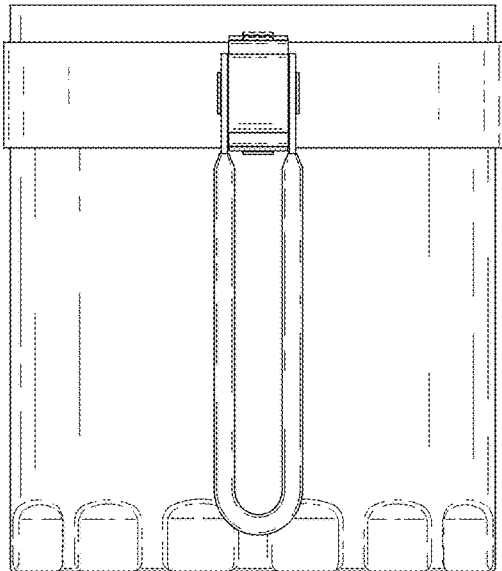


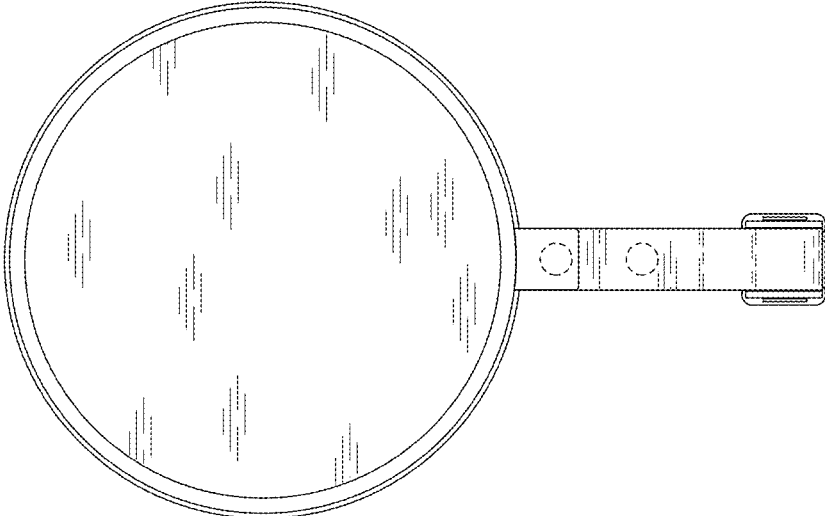
Fig. 10



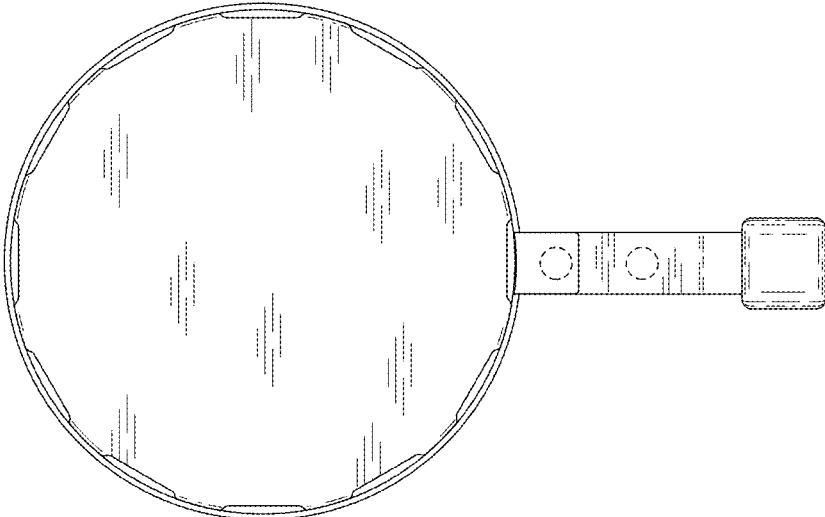
*Fig. 11*



*Fig. 12*



*Fig. 13*



*Fig. 14*