



- (51) International Patent Classification:  
*F25D 17/08* (2006.01)    *F25D 23/06* (2006.01)
- (21) International Application Number:  
PCT/IB2012/054714
- (22) International Filing Date:  
11 September 2012 (11.09.2012)
- (25) Filing Language:  
English
- (26) Publication Language:  
English
- (30) Priority Data:  
201110288442.7  
19 September 2011 (19.09.2011)    CN
- (71) Applicant (for all designated States except US): **BSH BOSCH UND SIEMENS HAUSGERÄTE GMBH** [DE/DE]; Carl-Wery-Str. 34, 81739 München (DE).
- (72) Inventors; and
- (75) Inventors/Applicants (for US only): **GÖRZ, Alexander** [DE/DE]; Weiherstr. 29, 73432 Aalen (DE). **SONG,**

Jicong [CN/CN]; Building 4 Room 302, Kang Qiao Sheng Fei, Qixia District, Nanjing, Jiangsu 210046 (CN).

(74) Common Representative: **BSH BOSCH UND SIEMENS HAUSGERÄTE GMBH**; Postfach 83 01 01, 81701 München (DE).

(81) Designated States (unless otherwise indicated, for every kind of national protection available): AE, AG, AL, AM, AO, AT, AU, AZ, BA, BB, BG, BH, BN, BR, BW, BY, BZ, CA, CH, CL, CN, CO, CR, CU, CZ, DE, DK, DM, DO, DZ, EC, EE, EG, ES, FI, GB, GD, GE, GH, GM, GT, HN, HR, HU, ID, IL, IN, IS, JP, KE, KG, KM, KN, KP, KR, KZ, LA, LC, LK, LR, LS, LT, LU, LY, MA, MD, ME, MG, MK, MN, MW, MX, MY, MZ, NA, NG, NI, NO, NZ, OM, PA, PE, PG, PH, PL, PT, QA, RO, RS, RU, RW, SC, SD, SE, SG, SK, SL, SM, ST, SV, SY, TH, TJ, TM, TN, TR, TT, TZ, UA, UG, US, UZ, VC, VN, ZA, ZM, ZW.

(84) Designated States (unless otherwise indicated, for every kind of regional protection available): ARIPO (BW, GH, GM, KE, LR, LS, MW, MZ, NA, RW, SD, SL, SZ, TZ,

[Continued on next page]

(54) Title: DOMESTIC REFRIGERATOR

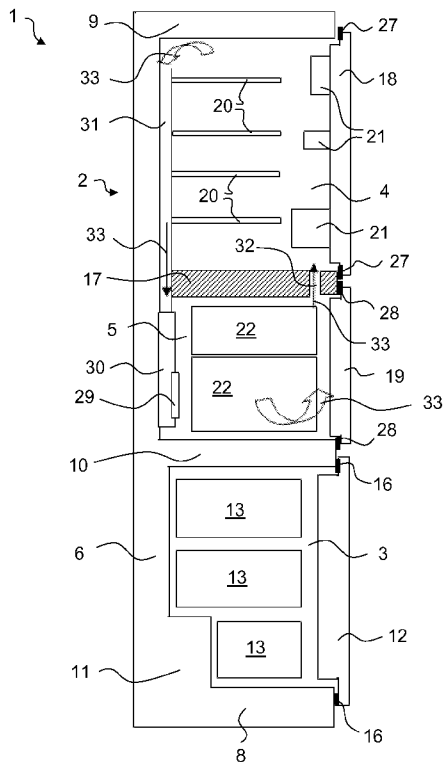


FIG. 1

(57) Abstract: A domestic refrigerator (1) comprises a thermally insulated housing (2), a cold storage compartment (5) and a fresh food compartment (4) contained within the housing (2) and located on top of each other, a refrigerant circuit which comprises an evaporator (29) configured to directly cool the cold storage compartment (5), a first door leaf (18) for closing and opening the fresh food compartment (4), a second door leaf (19) for closing and opening the cold storage compartment (5), a divisional wall (17, 42) separating the cold storage compartment (5) from the fresh food compartment (5), and a air channel system (31, 32) which is configured to allow an air exchange between the cold storage compartment (5) and the fresh food compartment (4).

WO 2013/042010 A3

UG, ZM, ZW), Eurasian (AM, AZ, BY, KG, KZ, RU, TJ, TM), European (AL, AT, BE, BG, CH, CY, CZ, DE, DK, EE, ES, FI, FR, GB, GR, HR, HU, IE, IS, IT, LT, LU, LV, MC, MK, MT, NL, NO, PL, PT, RO, RS, SE, SI, SK, SM, TR), OAPI (BF, BJ, CF, CG, CI, CM, GA, GN, GQ, GW, ML, MR, NE, SN, TD, TG).

**Published:**

— *with international search report (Art. 21(3))*

**(88) Date of publication of the international search report:**

3 January 2014

**INTERNATIONAL SEARCH REPORT**

International application No  
PCT/IB2012/054714

A. CLASSIFICATION OF SUBJECT MATTER  
INV. F25D17/08 F25D23/06  
ADD.  
According to International Patent Classification (IPC) or to both national classification and IPC

B. FIELDS SEARCHED  
Minimum documentation searched (classification system followed by classification symbols)  
F25D

Documentation searched other than minimum documentation to the extent that such documents are included in the fields searched

Electronic data base consulted during the international search (name of data base and, where practicable, search terms used)  
EPO-Internal, WPI Data

C. DOCUMENTS CONSIDERED TO BE RELEVANT

Category*	Citation of document, with indication, where appropriate, of the relevant passages	Relevant to claim No.
X	JP 2005 134043 A (FUJITSU GENERAL LTD) 26 May 2005 (2005-05-26)	1,12-14
Y	paragraph [0015] - paragraph [0016]; figure 1	2-11,15
Y	----- US 4 550 576 A (TATE JR RALPH [US] ET AL) 5 November 1985 (1985-11-05) figures 1,2	2,3
Y	----- US 5 577 822 A (SEON JIN K [KR]) 26 November 1996 (1996-11-26) figures 3,6,7	4-9
Y	----- JP 2003 262459 A (HOSHIZAKI ELECTRIC CO LTD) 19 September 2003 (2003-09-19) abstract; figure 6	5
	----- -/--	

Further documents are listed in the continuation of Box C.

See patent family annex.

\* Special categories of cited documents :

"A" document defining the general state of the art which is not considered to be of particular relevance

"E" earlier application or patent but published on or after the international filing date

"L" document which may throw doubts on priority claim(s) or which is cited to establish the publication date of another citation or other special reason (as specified)

"O" document referring to an oral disclosure, use, exhibition or other means

"P" document published prior to the international filing date but later than the priority date claimed

"T" later document published after the international filing date or priority date and not in conflict with the application but cited to understand the principle or theory underlying the invention

"X" document of particular relevance; the claimed invention cannot be considered novel or cannot be considered to involve an inventive step when the document is taken alone

"Y" document of particular relevance; the claimed invention cannot be considered to involve an inventive step when the document is combined with one or more other such documents, such combination being obvious to a person skilled in the art

"&" document member of the same patent family

Date of the actual completion of the international search  8 October 2013	Date of mailing of the international search report  17/10/2013
---	--

Name and mailing address of the ISA/ European Patent Office, P.B. 5818 Patentlaan 2 NL - 2280 HV Rijswijk Tel. (+31-70) 340-2040, Fax: (+31-70) 340-3016	Authorized officer  Kuljis, Bruno
--	---

## INTERNATIONAL SEARCH REPORT

International application No  
PCT/IB2012/054714

C(Continuation). DOCUMENTS CONSIDERED TO BE RELEVANT		
Category*	Citation of document, with indication, where appropriate, of the relevant passages	Relevant to claim No.
Y	DE 38 43 287 A1 (REHAHN KLAUS [DE]) 28 June 1990 (1990-06-28)	15
A	figure 4 -----	4,6,7
Y	WO 2005/068921 A1 (SHARP KK [JP]; KAWABATA MASUO [JP]; TANAKA KIYOAKI [JP]) 28 July 2005 (2005-07-28)	10,11
A	figures 4,5 -----	4-9
X	US 5 899 083 A (PETERSON JAMES R [US] ET AL) 4 May 1999 (1999-05-04) column 1 - column 5; figures 3a,6 -----	1,12-14

# INTERNATIONAL SEARCH REPORT

International application No.  
PCT/IB2012/054714

## Box No. II Observations where certain claims were found unsearchable (Continuation of item 2 of first sheet)

This international search report has not been established in respect of certain claims under Article 17(2)(a) for the following reasons:

1.  Claims Nos.:  
because they relate to subject matter not required to be searched by this Authority, namely:
  
2.  Claims Nos.:  
because they relate to parts of the international application that do not comply with the prescribed requirements to such an extent that no meaningful international search can be carried out, specifically:
  
3.  Claims Nos.:  
because they are dependent claims and are not drafted in accordance with the second and third sentences of Rule 6.4(a).

## Box No. III Observations where unity of invention is lacking (Continuation of item 3 of first sheet)

This International Searching Authority found multiple inventions in this international application, as follows:

see additional sheet

1.  As all required additional search fees were timely paid by the applicant, this international search report covers all searchable claims.
  
2.  As all searchable claims could be searched without effort justifying an additional fees, this Authority did not invite payment of additional fees.
  
3.  As only some of the required additional search fees were timely paid by the applicant, this international search report covers only those claims for which fees were paid, specifically claims Nos.:
  
4.  No required additional search fees were timely paid by the applicant. Consequently, this international search report is restricted to the invention first mentioned in the claims; it is covered by claims Nos.:

### Remark on Protest

- The additional search fees were accompanied by the applicant's protest and, where applicable, the payment of a protest fee.
- The additional search fees were accompanied by the applicant's protest but the applicable protest fee was not paid within the time limit specified in the invitation.
- No protest accompanied the payment of additional search fees.

**FURTHER INFORMATION CONTINUED FROM PCT/ISA/ 210**

This International Searching Authority found multiple (groups of) inventions in this international application, as follows:

1. claims: 1-3, 12-14

Domestic refrigerator with a cold storage compartment and a fresh food compartment with a divisional wall between them, and an air channel system for air exchange between these compartments, wherein the hinges of the door are at least partly attached to the edge of the divisional wall.

---

2. claims: 4-11, 15

Domestic refrigerator with a cold storage compartment and a fresh food compartment having a divisional wall between them, which is not a structural part of the housing and is inserted and attached into it.

---

# INTERNATIONAL SEARCH REPORT

Information on patent family members

International application No PCT/IB2012/054714
---

Patent document cited in search report	Publication date	Patent family member(s)	Publication date
JP 2005134043	A	26-05-2005	NONE
US 4550576	A	05-11-1985	NONE
US 5577822	A	26-11-1996	JP 2582228 B2 19-02-1997
		JP H07198246 A	01-08-1995
		KR 0129496 B1	08-04-1998
		US 5577822 A	26-11-1996
JP 2003262459	A	19-09-2003	NONE
DE 3843287	A1	28-06-1990	NONE
WO 2005068921	A1	28-07-2005	JP 2005226985 A 25-08-2005
		WO 2005068921 A1	28-07-2005
US 5899083	A	04-05-1999	NONE