



US00D685449S

(12) **United States Design Patent**
Patera et al.

(10) **Patent No.:** **US D685,449 S**

(45) **Date of Patent:** **** Jul. 2, 2013**

(54) **FLUID FILTER HOUSING**

(75) Inventors: **Ginger Elayne Patera**, St. Joseph, MI
(US); **Wesley Mendez Ramirez**, Nuevo
Leon (MX)

(73) Assignee: **Whirlpool Corporation**, Benton Harbor,
MI (US)

(**) Term: **14 Years**

(21) Appl. No.: **29/429,372**

(22) Filed: **Aug. 10, 2012**

(51) **LOC (9) Cl.** **23-01**

(52) **U.S. Cl.**
USPC **D23/209**

(58) **Field of Classification Search**
USPC D23/207, 209; 210/232, 282, 237,
210/238

See application file for complete search history.

(56) **References Cited**

U.S. PATENT DOCUMENTS

D173,603	S	*	12/1954	Atkinson	D23/207
3,289,847	A	*	12/1966	Rothmund	210/266
D234,357	S	*	2/1975	Humphrey	D23/209
D249,275	S	*	9/1978	Mackay et al.	D23/209
D275,513	S	*	9/1984	Johnson	D23/209
D308,410	S	*	6/1990	Russell et al.	D23/209
D597,171	S	*	7/2009	Hin et al.	D23/207

D597,172	S	*	7/2009	Hin et al.	D23/207
D634,397	S	*	3/2011	Lautzenheiser et al.	D23/207
D650,885	S	*	12/2011	Bridges et al.	D23/207
8,216,462	B2	*	7/2012	O'Brien et al.	210/200

* cited by examiner

Primary Examiner — Robin V Webster

(74) *Attorney, Agent, or Firm* — Michel M. Rose; Kirk W. Goodwin

(57) **CLAIM**

We claim the ornamental design for a fluid filter housing, as shown and described.

DESCRIPTION

FIG. 1 is a front perspective view of a design of the fluid filter housing;

FIG. 2 is a front elevation view of the fluid filter housing of FIG. 1, with the rear elevation view being a mirror image of FIG. 2;

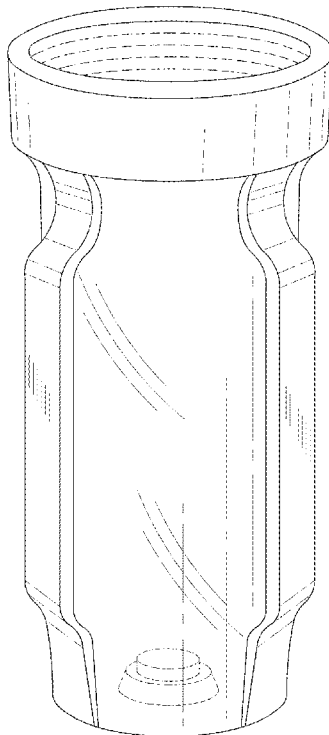
FIG. 3 is a first side elevation view of the fluid filter housing of FIG. 1, with the second side elevation view being a mirror image of FIG. 3;

FIG. 4 is a top plan view of the fluid filter housing of FIG. 1; and,

FIG. 5 is a bottom plan view of the fluid filter housing of FIG. 1.

The features shown in broken lines depict environmental subject matter only and form no part of the claimed design.

1 Claim, 4 Drawing Sheets



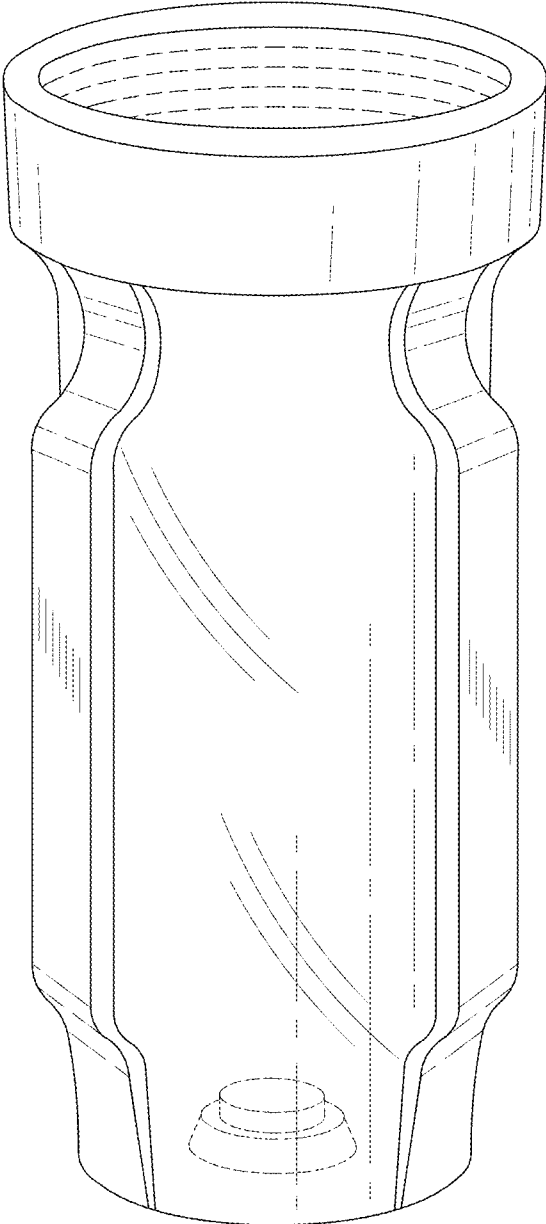


Fig. 1

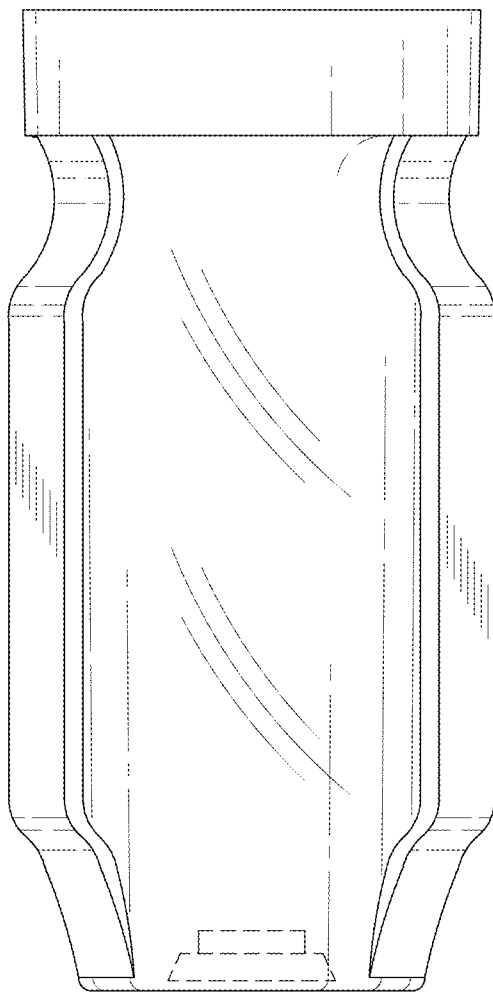


Fig. 2

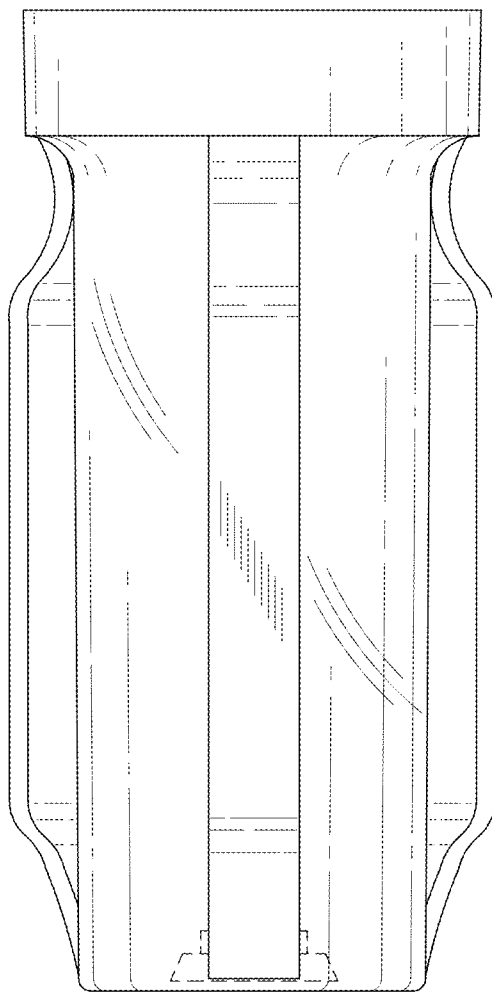


Fig. 3

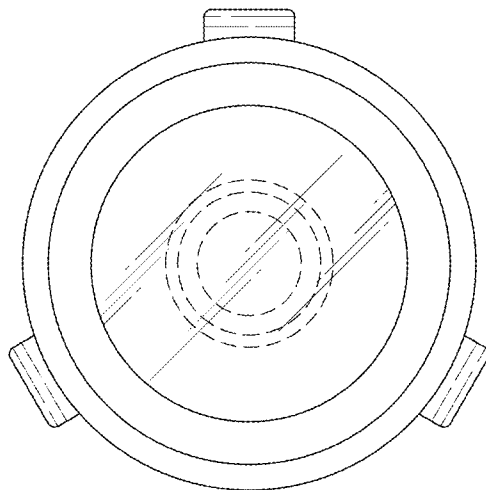


Fig. 4

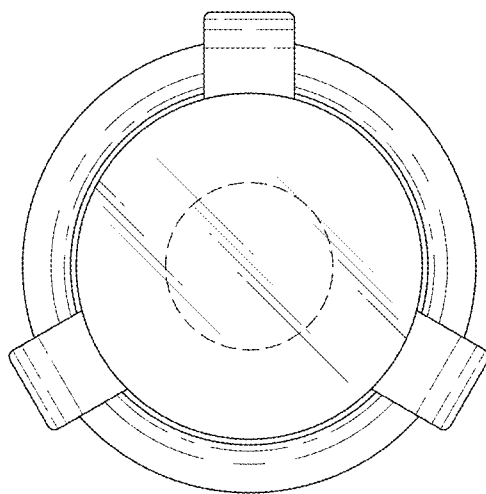


Fig. 5