



US00D897017S

(12) **United States Design Patent**
Inskeep et al.

(10) **Patent No.:** **US D897,017 S**

(45) **Date of Patent:** **** Sep. 22, 2020**

- (54) **SPOTLIGHT**
- (71) Applicant: **Vector Products, Inc.**, Boca Raton, FL (US)
- (72) Inventors: **Mathew Inskeep**, Highland Beach, FL (US); **Ling To Shum**, Boca Raton, FL (US)
- (73) Assignee: **VECTOR PRODUCTS, INC.**, Boca Raton, FL (US)
- (**) Term: **15 Years**
- (21) Appl. No.: **29/674,223**

D673,705 S *	1/2013	Inskeep	D26/45
D673,707 S *	1/2013	Inskeep	D26/45
D683,490 S *	5/2013	Lee	D26/45
D700,384 S *	2/2014	Lee	D26/45
D702,383 S *	4/2014	Inskeep	D26/45
D711,029 S *	8/2014	Schnell	D26/45
D711,574 S *	8/2014	Shen	D26/45
D718,481 S *	11/2014	Lee	D26/45
D748,310 S *	1/2016	Inskeep	D26/45
D754,380 S *	4/2016	Inskeep	D26/45
D754,381 S *	4/2016	Inskeep	D26/45
D782,091 S *	3/2017	Inskeep	D26/45
D788,341 S *	5/2017	Inskeep	D26/45
D814,086 S *	3/2018	Cooper	D26/45
D833,049 S *	11/2018	Yu	D26/45
D849,296 S *	5/2019	Inskeep	D26/45

* cited by examiner

- (22) Filed: **Dec. 20, 2018**
- (51) **LOC (12) Cl.** **26-02**
- (52) **U.S. Cl.**
USPC **D26/45**
- (58) **Field of Classification Search**
USPC D26/37-51
CPC F21L 2003/00; F21L 4/00; F21L 4/005;
F21L 4/02; F21L 4/025; F21L 4/027;
F21L 4/04; F21L 4/08; F21L 7/00; F21L
11/00; F21L 13/00; F21L 13/04; F21L
13/08; F21L 14/02; F21L 17/00; F21L
19/00; F21L 25/00
See application file for complete search history.

Primary Examiner — Brandon M Rosati
Assistant Examiner — Stacey L Hopkins
 (74) *Attorney, Agent, or Firm* — Daniel S. Polley, P.A.

(57) **CLAIM**

The ornamental design for a spotlight, as shown and described.

DESCRIPTION

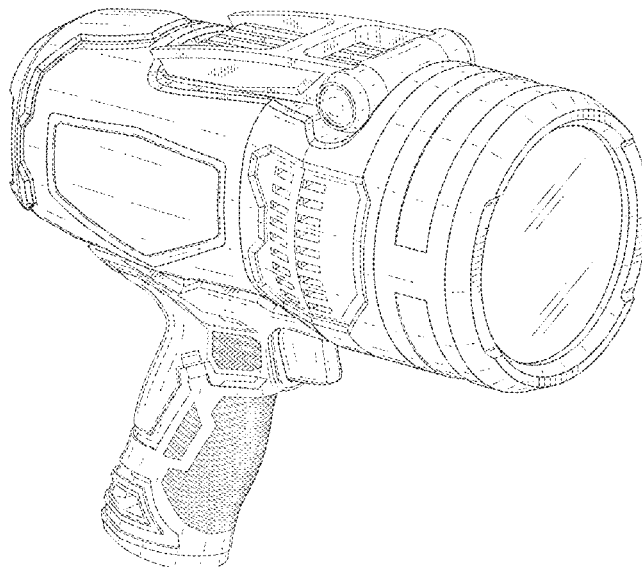
FIG. 1 is a front perspective view of a spotlight showing our new design;
 FIG. 2 is a bottom perspective view thereof with the stand engaged.
 FIG. 3 is a rear perspective view thereof with the stand engaged;
 FIG. 4 is a top view thereof.
 FIG. 5 is a bottom view thereof.
 FIG. 6 is a right side view thereof.
 FIG. 7 is a left side view thereof with the stand engaged.
 FIG. 8 is a front facing view thereof with the stand engaged; and,
 FIG. 9 is a back view thereof.

(56) **References Cited**

U.S. PATENT DOCUMENTS

D466,637 S *	12/2002	Gisser	D26/45
D603,540 S *	11/2009	Shum	D26/45
D605,796 S *	12/2009	Crawford	D26/45
D623,323 S *	9/2010	Kung	D26/45
D628,326 S *	11/2010	Ng	D26/45
D646,816 S *	10/2011	Wang	D26/45
D658,325 S *	4/2012	Inskeep	D26/45
D662,240 S *	6/2012	Inskeep	D26/45
D662,241 S *	6/2012	Tschopp	D26/45

1 Claim, 9 Drawing Sheets



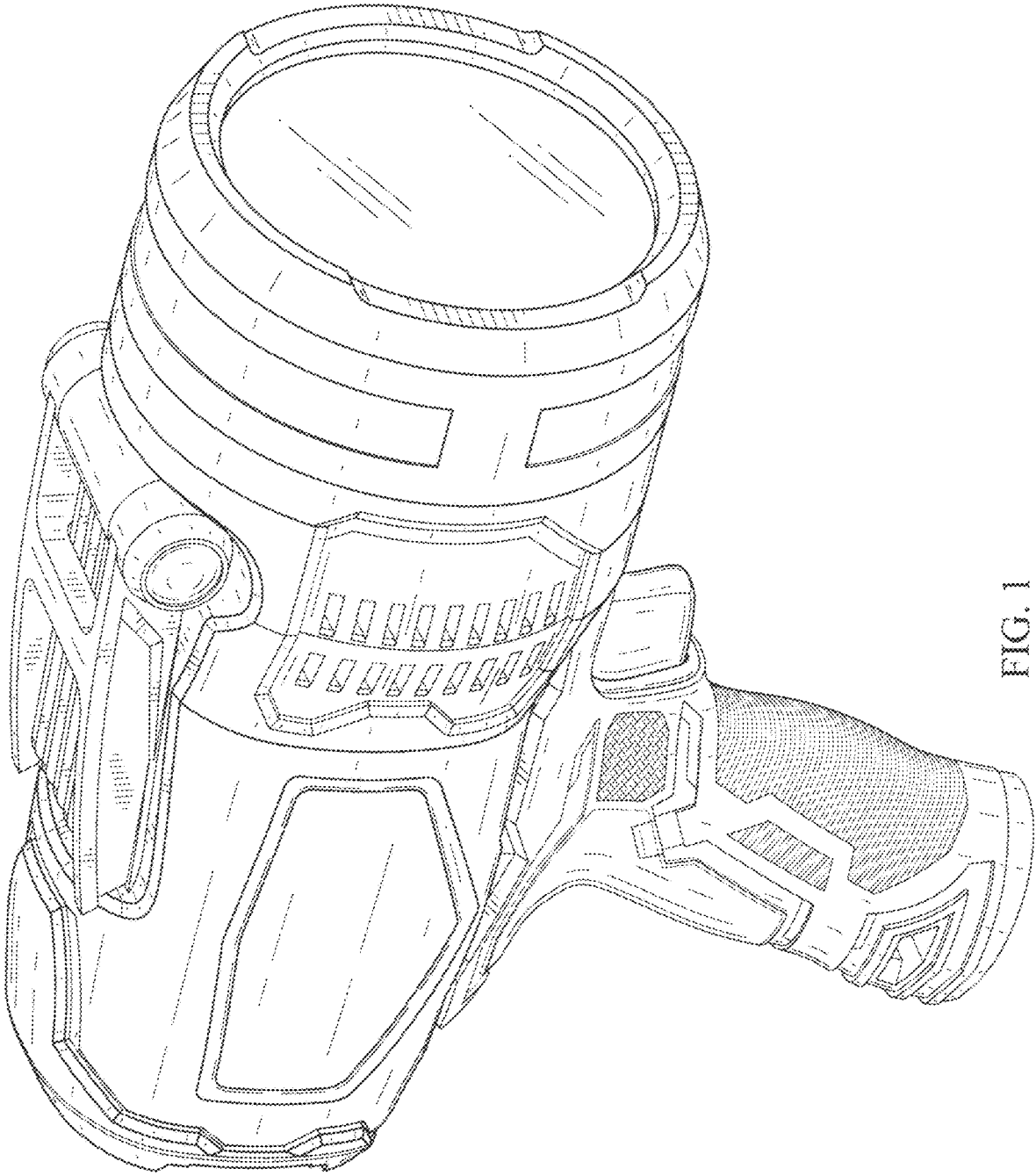


FIG. 1

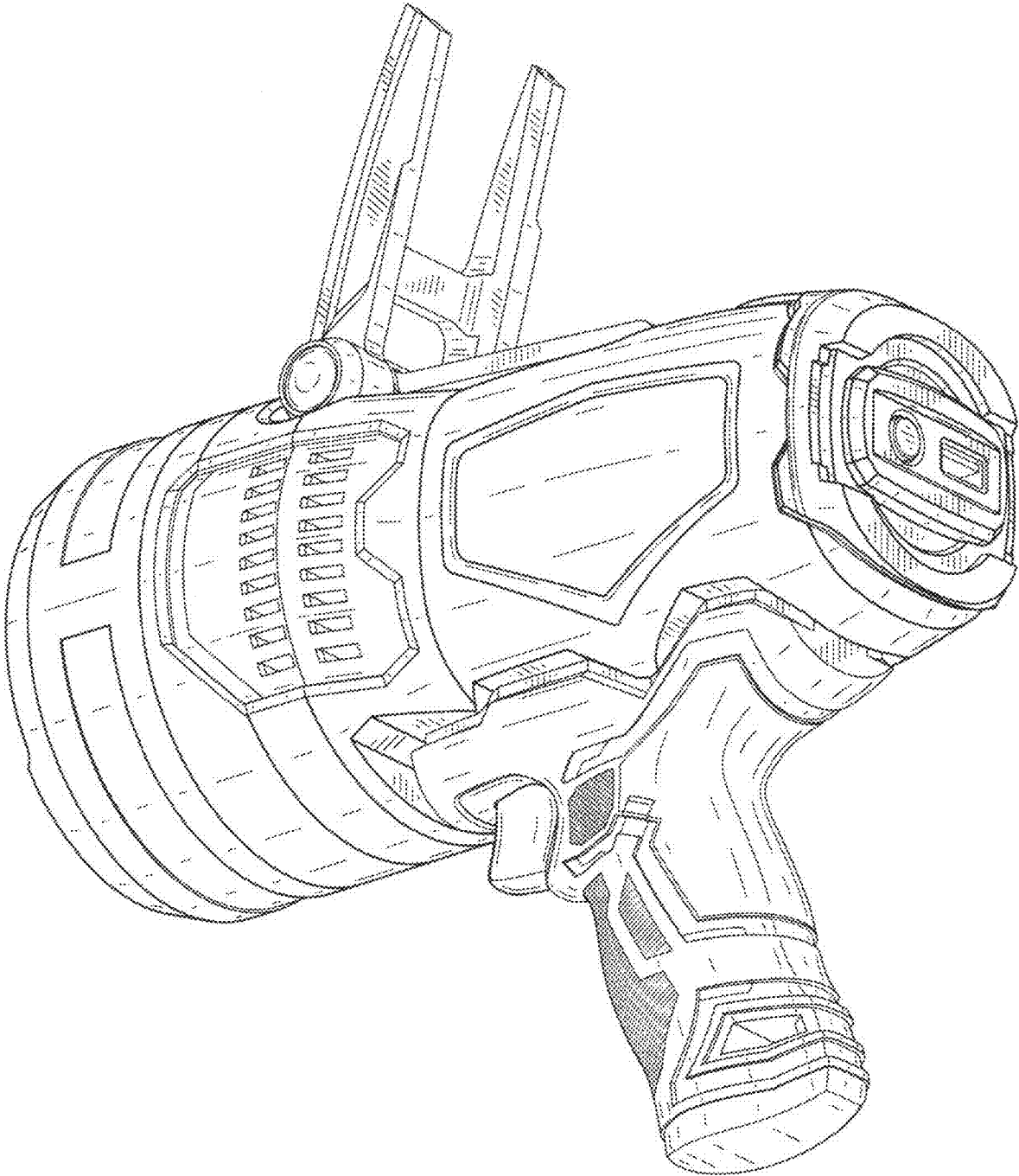


FIG. 2

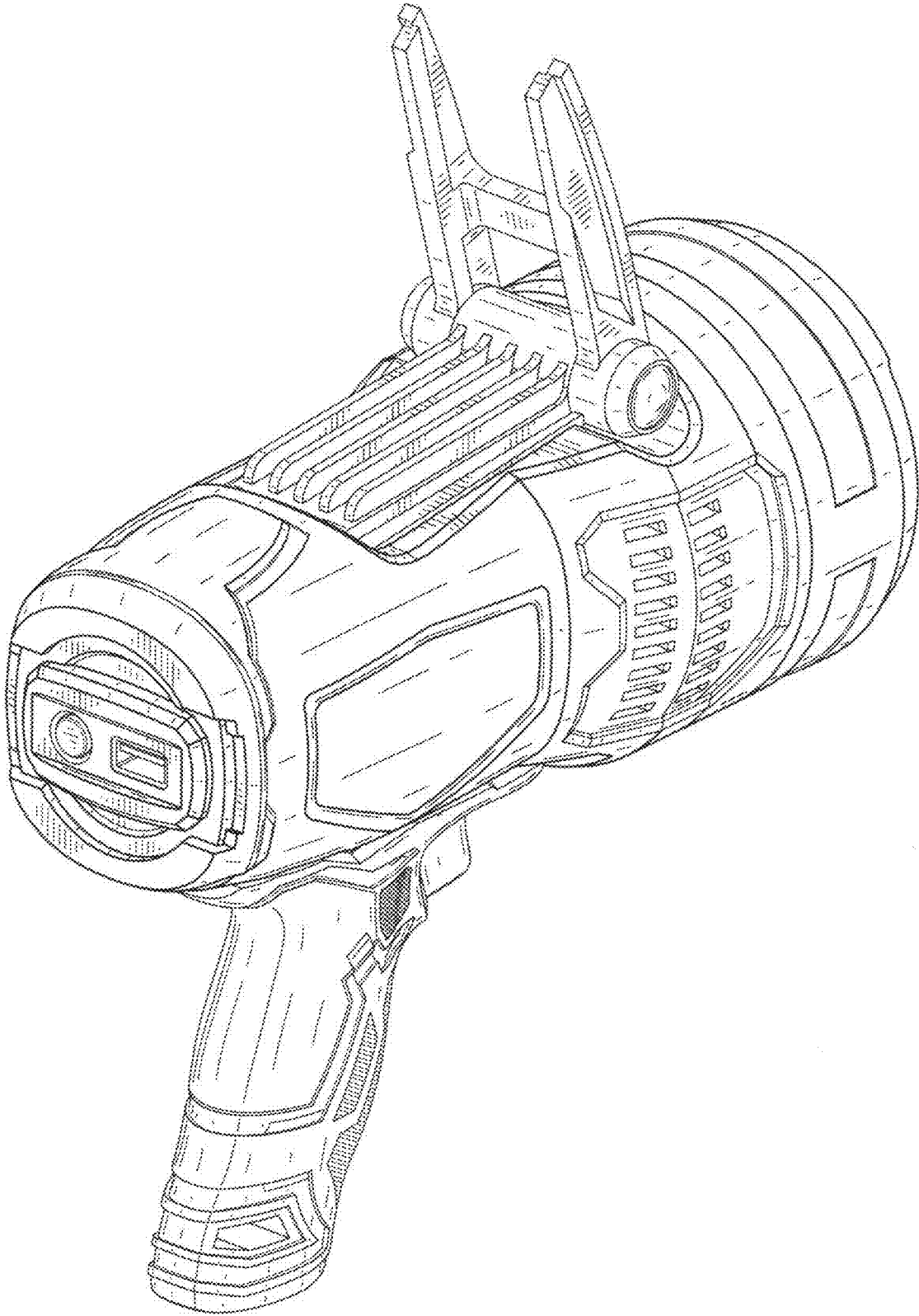


FIG. 3

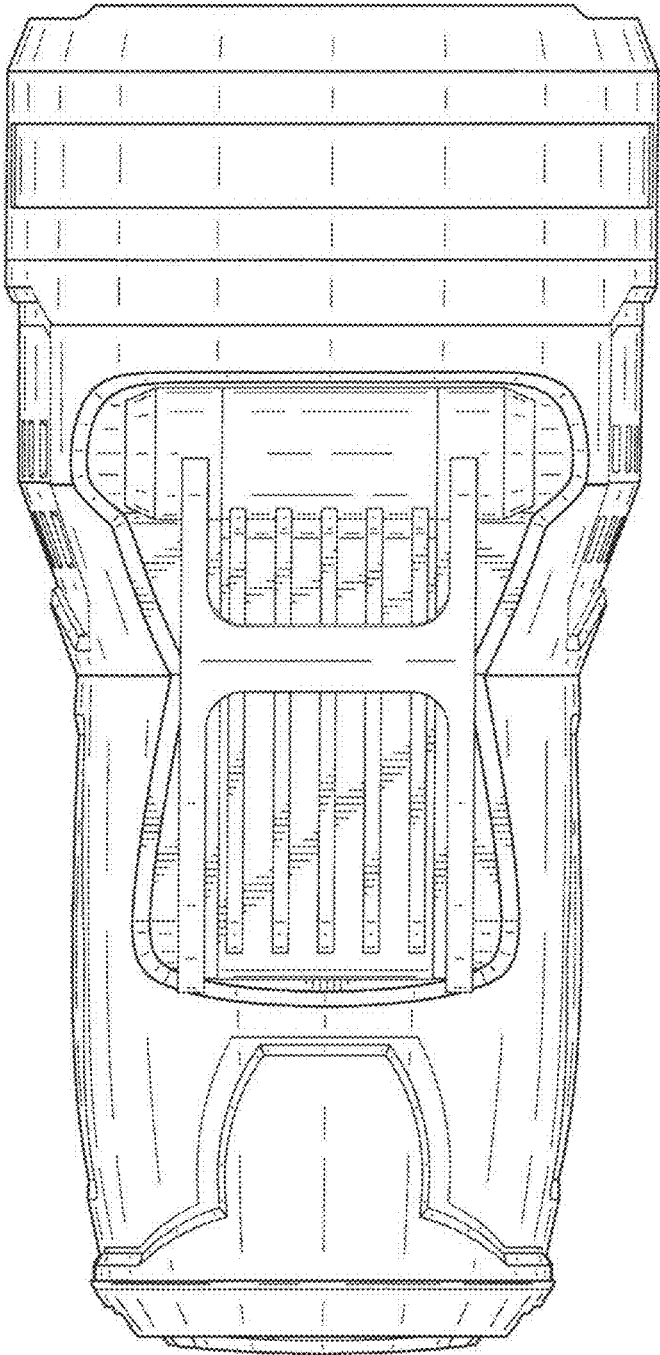


FIG. 4

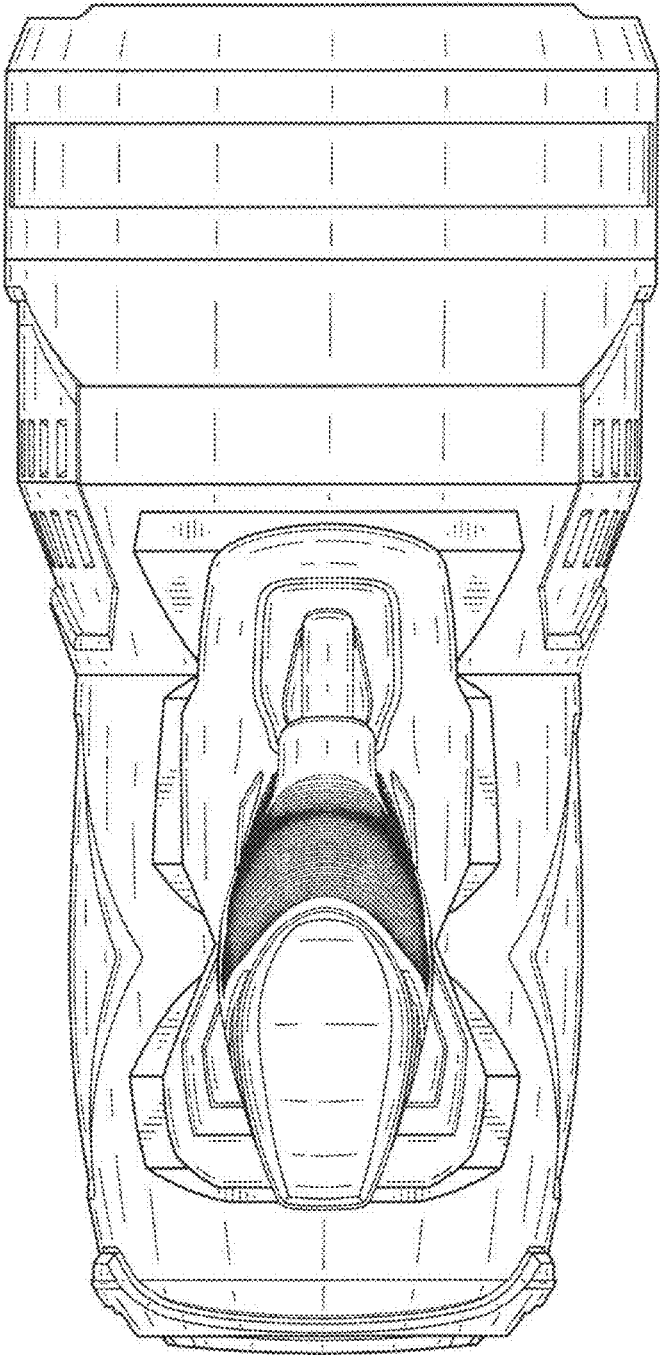


FIG. 5

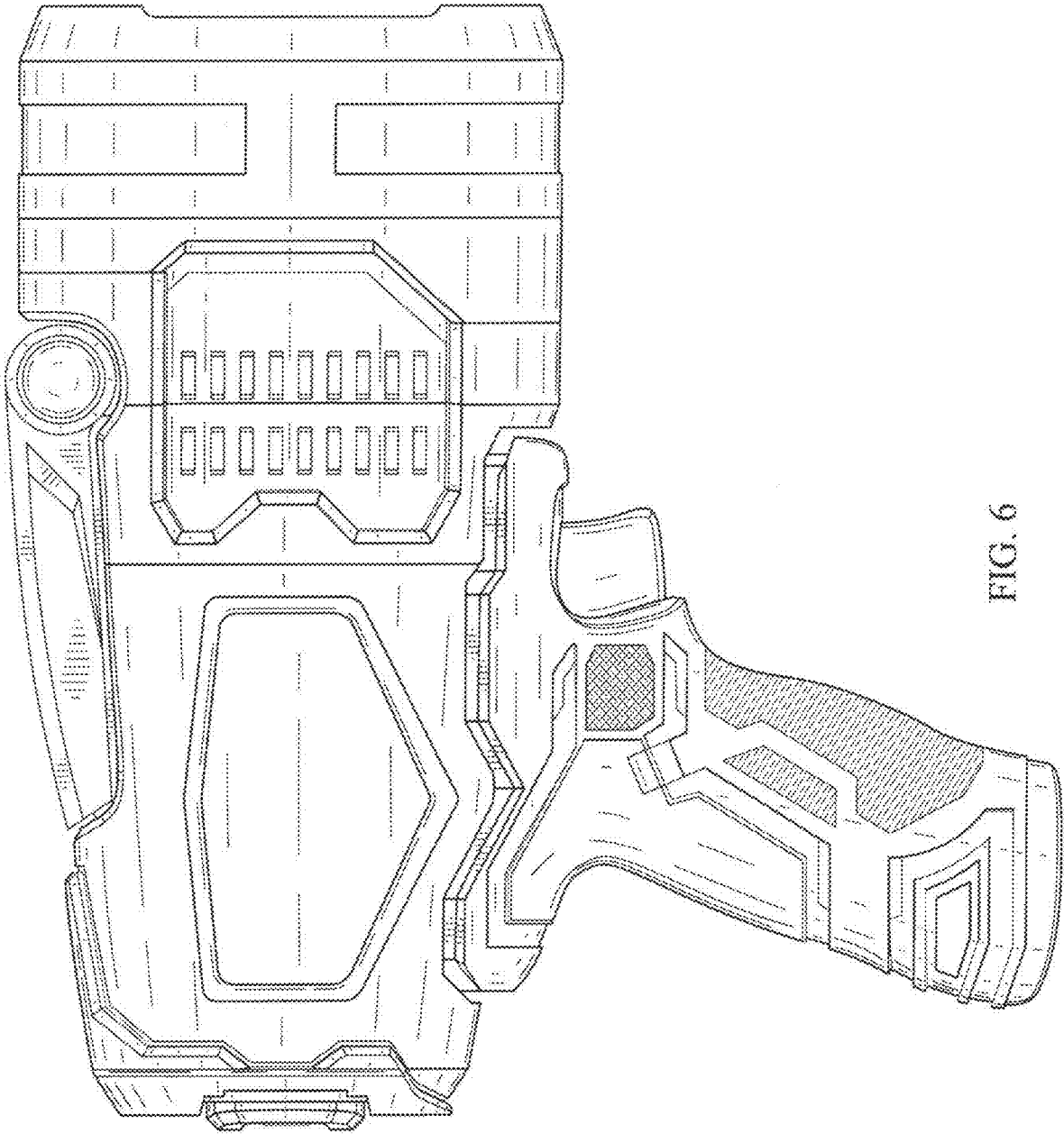


FIG. 6

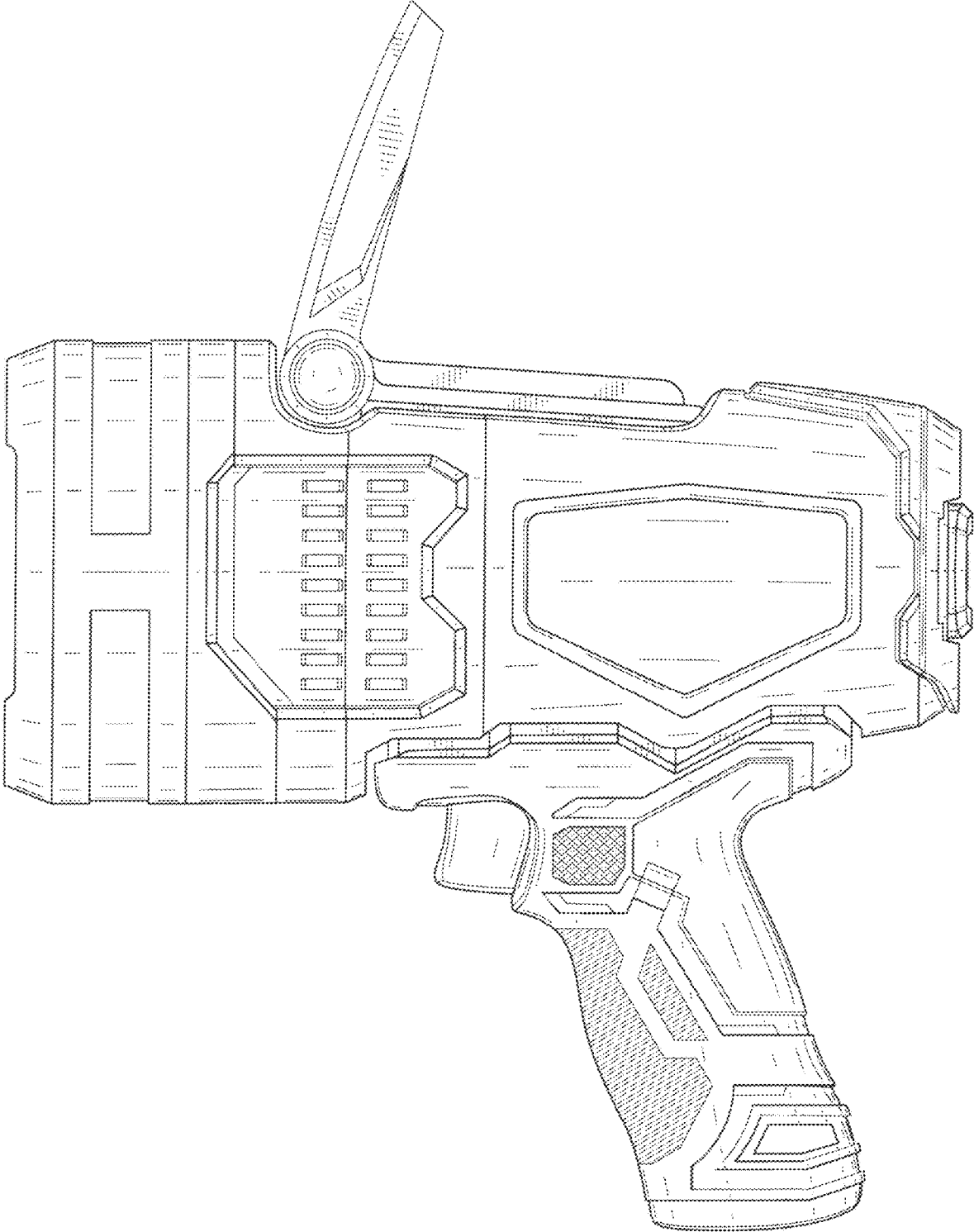


FIG. 7

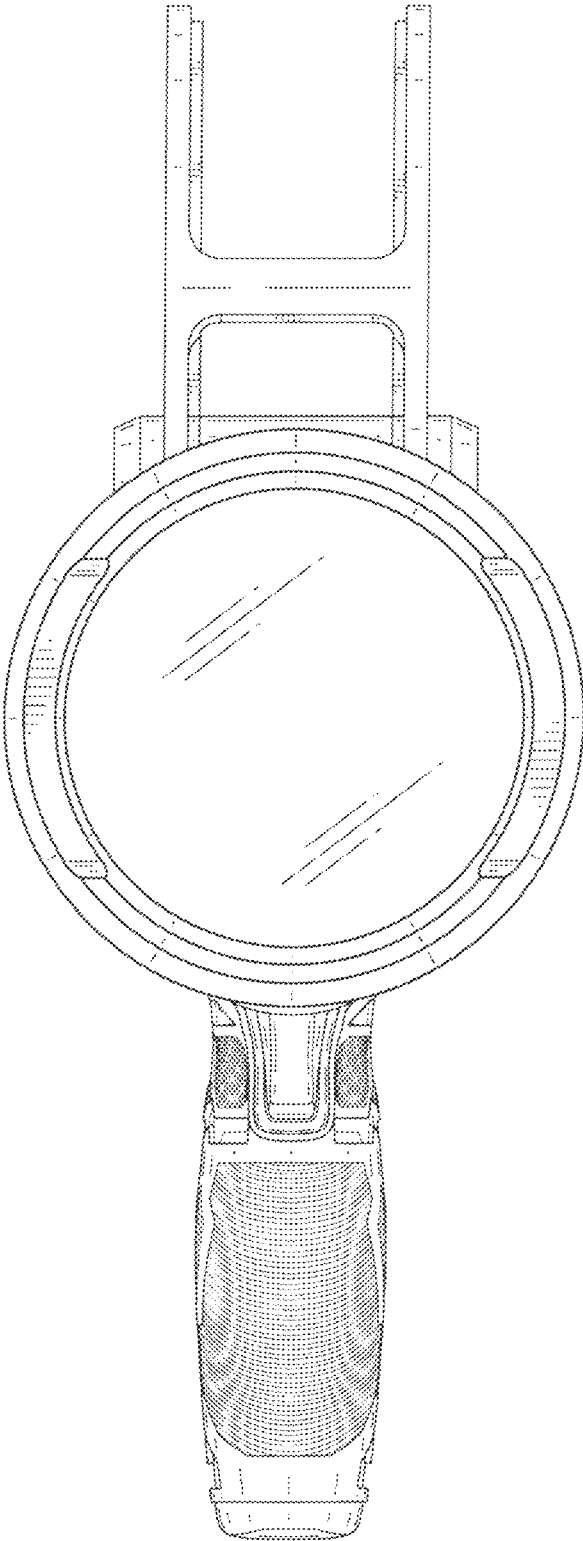


FIG. 8

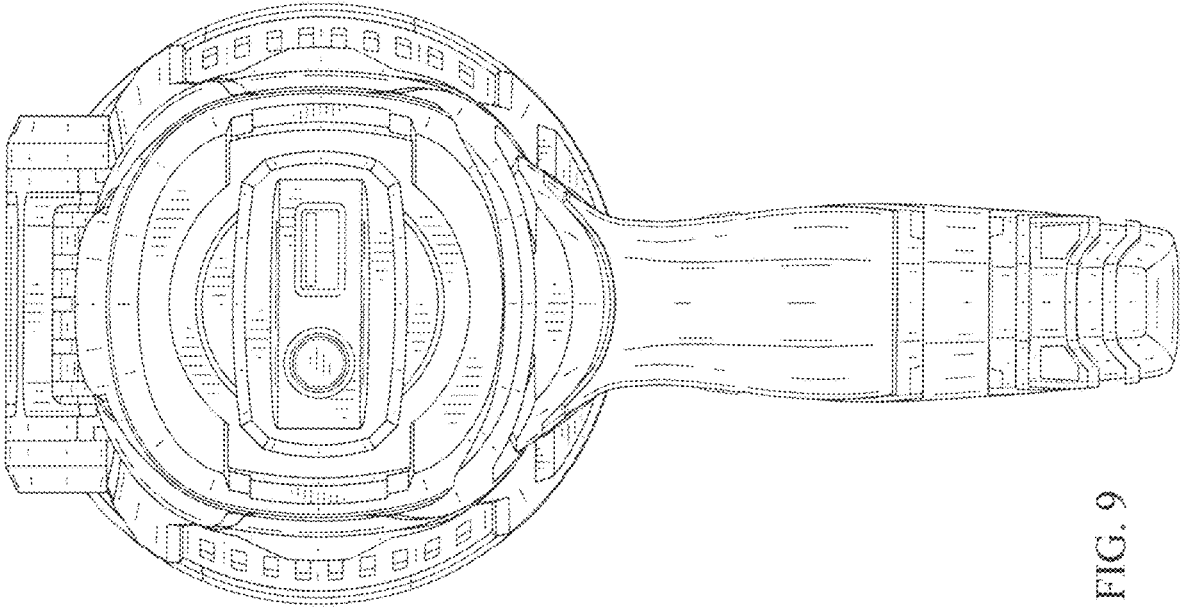


FIG. 9