



(12) **DEMANDE DE BREVET CANADIEN
CANADIAN PATENT APPLICATION**

(13) **A1**

(22) Date de dépôt/Filing Date: 2020/03/04

(41) Mise à la disp. pub./Open to Public Insp.: 2020/10/25

(30) Priorité/Priority: 2019/04/25 (US16/394,043)

(51) Cl.Int./Int.Cl. *A61B 17/34* (2006.01),
A61M 39/06 (2006.01)

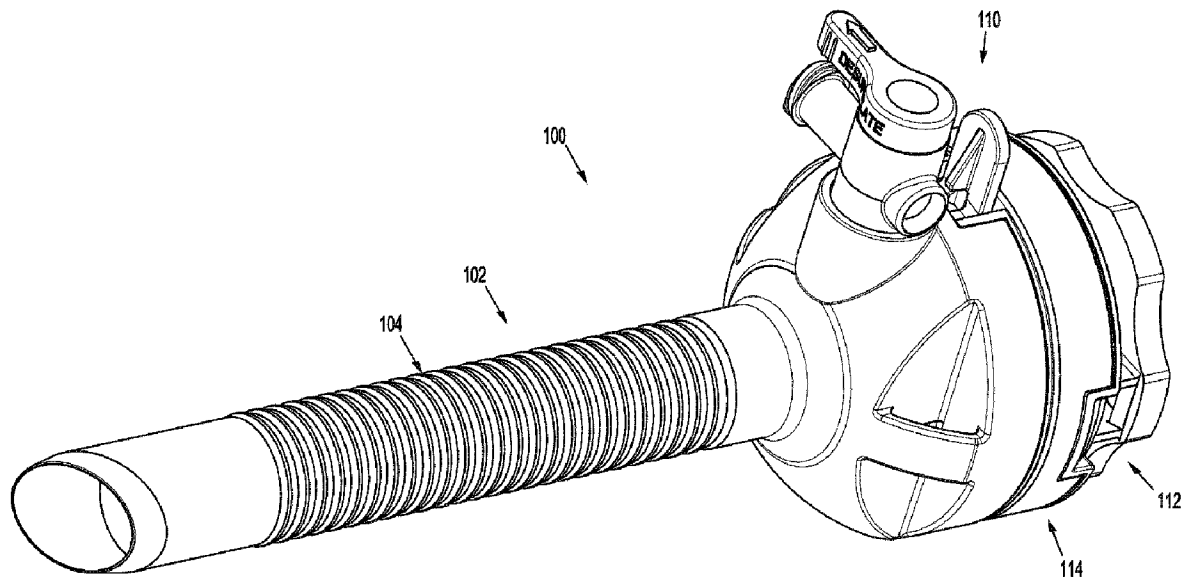
(71) Demandeur/Applicant:
COVIDIEN LP, US

(72) Inventeurs/Inventors:
VACCARELLA, LORENZO, US;
EBERSOLE, GARRETT, US;
PEDROS, ROBERT, US

(74) Agent: OSLER, HOSKIN & HARCOURT LLP

(54) Titre : DISPOSITIF D'ACCES CHIRURGICAUX AVEC JOINT D'ETANCHEITE

(54) Title: SEALS FOR SURGICAL ACCESS DEVICES



(57) Abrégé/Abstract:

A cannula for use in an access assembly includes an instrument valve housing including first and second housing sections and defining a cavity and a valve assembly disposed within the cavity of the instrument valve housing. The valve assembly includes a

(57) **Abrégé(suite)/Abstract(continued):**

seal assembly including an outer flange and a septum seal extending across the outer flange, a guard assembly disposed within the outer flange of the seal assembly, and a centering mechanism. The guard assembly includes a plurality of guard members. Each guard member of the plurality of guard members includes a ring portion and a flap portion. The flap portions of the guard members of the guard assembly are configured to engage and stretch the septum seal during reception of a surgical instrument through the valve assembly.

ABSTRACT

A cannula for use in an access assembly includes an instrument valve housing including first and second housing sections and defining a cavity and a valve assembly disposed within the cavity of the instrument valve housing. The valve assembly includes a seal assembly including an outer flange and a septum seal extending across the outer flange, a guard assembly disposed within the outer flange of the seal assembly, and a centering mechanism. The guard assembly includes a plurality of guard members. Each guard member of the plurality of guard members includes a ring portion and a flap portion. The flap portions of the guard members of the guard assembly are configured to engage and stretch the septum seal during reception of a surgical instrument through the valve assembly.

SEALS FOR SURGICAL ACCESS DEVICES

BACKGROUND

Technical Field

[0001] The present disclosure relates to seals. More particularly, the present disclosure relates to seals for surgical access devices.

Background

[0002] In order to facilitate minimally invasive surgery, a working space must be created in the desired surgical plane. An injection of an insufflation fluid, typically CO₂, can be used to create a pneumoperitoneum in the abdomen. To work in the created space, access ports are required for surgical instrumentation and cameras. These ports maintain the pressure creating the pneumoperitoneum with seals that adapt to the surgical instrumentation.

[0003] The breadth of surgical instrumentation on the market today requires a robust seal capable adjusting to multiple sizes and withstanding multiple insertions of surgical instrumentation. Therefore, it would be beneficial to have an access assembly with improved seal durability.

SUMMARY

[0004] A cannula for use in an access assembly is provided. The cannula includes an instrument valve housing including first and second housing sections and defining a cavity and a valve assembly disposed within the cavity of the instrument valve housing. The valve assembly includes a seal assembly including an outer flange and a septum seal extending across the outer flange, a guard assembly disposed within the outer flange of the seal assembly, and a centering mechanism including an annular ring and a plurality of spokes extending outwardly from the annular ring. The guard assembly includes a plurality of guard members. Each guard member of the plurality of guard members includes a ring portion and a flap portion. The outer

flange of the seal assembly is supported within the annular ring and the outer ring is disposed within the cavity of the instrument valve housing. The flap portions of the guard members of the guard assembly are configured to engage and stretch the septum seal during reception of a surgical instrument through the valve assembly.

[0005] In embodiments, the guard assembly includes first, second, third and fourth guard members. Each of the guard members may include a ring portion and a flap portion. The flap portions may not extend beyond a midline of the ring portions. The first and second flap portions may be disposed opposite one another, and the third and fourth flap portions may be disposed opposite one another. The first and second flap portions may be disposed perpendicular to the third and fourth flap portions. The flap portions may include a substantial mushroom cap shape.

[0006] The guard assembly of the valve assembly may further include upper and lower retainer members. At least one of the upper or lower retainer members may include a plurality of pins configured to engage the ring portions of the plurality of guard members. The flap portion of the first guard member may overlap the flap portion of the second guard member. The flap portion of the second guard member may overlap the flap portion of the third guard member. The flap portion of the third guard member may overlap the flap portion of the fourth guard member. The flap portion of the fourth guard member may overlap the flap portion of the first guard member.

[0007] Another cannula for use in an access assembly is provided. The cannula includes an instrument valve housing including first and second housing sections and defining a cavity, and a valve assembly disposed within the cavity of the instrument valve housing. The valve assembly includes a seal assembly including an outer flange and a septum seal extending across the outer flange, a guard assembly disposed within the outer flange of the seal assembly, and a centering mechanism including an annular ring and a plurality of spokes extending

outwardly from the annular ring the guard assembly including a guard member having a ring portion and a plurality of petals. The outer flange of the seal assembly is supported within the annular ring. The plurality of petals of the guard member are configured to engage and stretch the septum seal during reception of a surgical instrument through the valve assembly.

[0008] In embodiments, each petal of the plurality of petals includes a flap portion and a connector portion. Each of the flap portions may be connected to the ring member by a respective connector portion. The plurality of petals may extend radially outward from the ring portion. The plurality of petals may be configured to be folded over the ring portion such that the flap portions overlap adjacent flap portions. Each of the flap portions may define one or more openings and the ring portion defines corresponding openings.

[0009] The guard assembly of the valve assembly may further include upper and lower retainer members. At least one of the upper or lower retainer members may include a plurality of pins. The one or more openings in the flap portions and the corresponding openings in the ring portion may be configured to receive the plurality of pins of the at least one upper or lower retainer members.

BRIEF DESCRIPTION OF THE DRAWINGS

[0010] The accompanying drawings, which are incorporated in and constitute a part of this specification, illustrate embodiments of the disclosure and, together with a general description of the disclosure given above, and the detailed description of the embodiments given below, serve to explain the principles of the disclosure, wherein:

[0011] FIG. 1 is a perspective side view of a cannula of a trocar assembly according to an embodiment of the present disclosure;

[0012] FIG. 2 is a perspective top view of an instrument valve housing of the cannula shown in FIG. 1;

[0013] FIG. 3 is an exploded top view of the instrument valve housing shown in FIG. 2, including first and second housing sections, separated, and a valve assembly;

[0014] FIG. 4 is a perspective top view of the valve assembly shown in FIG. 3;

[0015] FIG. 5 is a perspective top view of a plurality of guard members of a guard assembly of the valve assembly shown in FIG. 3;

[0016] FIG. 6 is an exploded view of the valve assembly shown in FIG. 3, with parts separated;

[0017] FIG. 7 is a perspective top view of the plurality of guard members of the guard assembly shown in FIG. 3, with the guard members in an alternative configuration;

[0018] FIG. 8 is a perspective top view of a guard member according to another embodiment of the present disclosure, in an initial or pre-folded configuration;

[0019] FIG. 9 is a perspective top view of the guard member shown in FIG. 8, in a second or partially-folded configuration;

[0020] FIG. 10 is a perspective top view of the guard member shown in FIG. 8, in a fully-folded configuration;

[0021] FIG. 11 is a perspective top view of a guard member according to yet another embodiment of the present disclosure; and

[0022] FIG. 12 is a top view of a guard member according to still another embodiment of the present disclosure.

DETAILED DESCRIPTION

[0023] Particular embodiments of the present disclosure are described hereinbelow with reference to the accompanying drawings; however, it is to be understood that the disclosed embodiments are merely exemplary of the disclosure and may be embodied in various forms. Well-known functions or constructions are not described in detail to avoid obscuring the present disclosure in unnecessary detail. Therefore, specific structural and functional details

disclosed herein are not to be interpreted as limiting, but merely as a basis for the claims and as a representative basis for teaching one skilled in the art to variously employ the present disclosure in virtually any appropriately detailed structure. Like reference numerals refer to similar or identical elements throughout the description of the figures.

[0024] As used herein, the term "distal" refers to that portion of the instrument, or component thereof which is farther from the user while the term "proximal" refers to that portion of the instrument or component thereof which is closer to the user.

[0025] Cannulas are employed during, e.g., laparoscopic surgery and may, in various embodiments, provide for the sealed access of laparoscopic surgical instruments into an insufflated body cavity, such as the abdominal cavity. The cannulas of the present disclosure include an instrument valve housing mounted on a cannula tube. Cannulas are typically part of a trocar assembly including a trocar obturator. The trocar obturator is insertable through the cannula to facilitate placement of the cannula through tissue. The cannula and the trocar obturator are separate components but are capable of being selectively connected together. For example, the trocar obturator may be inserted into and through the cannula until the handle of the trocar obturator engages, e.g., selectively locks into, the instrument valve housing of the cannula.

[0026] Trocar assemblies are employed to tunnel through an anatomical structure, e.g., the abdominal wall, either by making a new passage through the structure or by passing through an existing opening through the structure. Once the trocar assembly has tunneled through the anatomical structure, the trocar obturator is removed, leaving the cannula in place in the structure, e.g., in the incision created by the trocar assembly. The instrument valve housing of the cannula may include valves that prevent the escape of insufflation gases from the body cavity, while also allowing surgical instruments to be inserted into the cavity.

[0027] In various embodiments, a bladeless optical trocar obturator may be provided that permits separation of tissue planes in a surgical procedure and visualization of body tissue fibers as they are being separated, thereby permitting a controlled traversal across a body wall. In other embodiments, the trocar obturator may be bladeless without being optical, e.g., without providing contemporaneous visualization thereof through the distal tip of an obturator. The bladeless obturator may be provided for the blunt dissection of the abdominal lining during a surgical procedure.

[0028] Various trocar obturators suitable for use with the cannulas of the present disclosure are known and include, for example, bladed, bladeless, blunt, optical, non-optical. The trocar assemblies will only be described to the extent necessary to disclose the aspects of the present disclosure. For a detailed description of the structure and function of exemplary trocar assemblies, including exemplar trocar obturators and exemplar cannulas, please refer to commonly owned PCT Publication No WO 2016/186905 (“the ‘905 publication”), the content of which is hereby incorporated by reference herein in its entirety.

[0029] With initial reference now to FIG. 1, a cannula according to aspects of the present disclosure is shown generally as cannula 100. The cannula 100 includes a cannula assembly 102 and an instrument valve housing 110 secured to the cannula assembly 102. The cannula assembly 102 will only be described to the extent necessary to fully disclose the aspects of the present disclosure. For a detailed description of an exemplary cannula assembly, please refer to the ‘905 publication.

[0030] With reference to FIGS. 2 and 3, the instrument valve housing 110 of the cannula 100 includes a first housing section 112 and a second housing section 114. The first and second housing section 112, 114 are configured to support a valve assembly 120 on a proximal end of the cannula assembly 102. More particularly, the first and second housing sections 112, 114 define a cavity 113 for operably receiving the valve assembly 120. The first

housing section 112 of the instrument valve housing 110 may be selectively attachable to, and detachable from, the second housing section 114. The second housing section 114 may be releasably or permanently attached to a cannula tube 104 of the cannula assembly 102. In embodiments, either or both of the first and second housing sections 112, 114 of the instrument valve housing 110 may include knurls, indentations, tabs, or be otherwise configured to facilitate engagement by a clinician.

[0031] The first and second housing sections 112, 114 of the instrument valve housing 110 define a longitudinal passage 111 for receipt of a surgical instrument (not shown). The valve assembly 120 is supported within the first and second housing sections 112, 114 to provide sealed passage of the surgical instrument through the instrument valve housing 110.

[0032] With particular reference to FIGS. 4-6, the valve assembly 120 supported in the instrument valve housing 110 includes a guard assembly 130, a centering mechanism 150, and a seal assembly 170. As will be described in further detail below, the guard assembly 130 is configured to protect the seal assembly 170 during insertion and withdrawal of a surgical instrument through the seal assembly 170. The centering mechanism 150 is configured to permit radial movement of the valve assembly 120 relative to the instrument valve housing 110 when a surgical instrument is received through the valve assembly 120, and returns the valve assembly 120 to a centered position once the surgical instrument is withdrawn from within the instrument valve housing 110. The seal assembly 170 provides sealed passage of the surgical instrument through the instrument valve housing 110.

[0033] The guard assembly 130 of the valve assembly 120 supported within the instrument valve housing 110 includes first, second, third, and fourth guard members 132, 134, 136, 138. The guard members 132, 134, 136, 138 are formed of rigid plastic or other suitable material. Each of the first, second, third, and fourth guard members 132, 134, 136, 138 includes a ring portion 132a, 134a, 136a, 138a and a flap portion 132b, 134b, 136b, 138b. The ring

portions 132a, 134a, 136a, 138a of the first, second, third, and fourth guard members 132, 134, 136, 138 each define a plurality of openings 131, 133, 135, 137, respectively. Each opening of the plurality of openings 131, 133, 135, 137 is configured to receive a pin of a plurality of pins 146 of an upper retainer member 140.

[0034] Each of the flap portions 132b, 134b, 136b, 138b of the respective first, second, third, and fourth guard members 132, 134, 136, 138 of the guard assembly 130 extends radially inward from the ring portions 132a, 134a, 136a, 138a. Each of the flap portions 132b, 134b, 136b, 138b includes a substantial mushroom cap shape having a curved outer edge 132c, 134c, 136c, 138c. The flap portions 132b, 134b, 136b, 138b do not extend beyond a midline of the respective first, second, third, and fourth guard members 132, 134, 136, 138, e.g., midline “y” of the first and second guard members 132, 134 and midline “z” of the third and fourth guard members 136, 138, shown in FIG. 5).

[0035] As shown in FIGS. 5 and 6, the first, second, third, and fourth guard members 132, 134, 136, 138 are arranged one on top of another, e.g., stacked configuration. As shown, the first and second guard members 132, 134 are arranged such that the respective flap portions 132b, 134b are opposed to one another and do not overlap. The first and second flap portions 132b, 134b form a first layer occupying a majority of the opening 139 defined by the ring portions 132a, 134a of the respective first and second guard members 132, 134. Similarly, the third and fourth guard members 136, 138 are arranged such that the respective flap portions 136b, 138b are opposed to one another and do not overlap. The third and fourth flap portions 136b, 138b of the third and fourth guard members 136, 138 form a second layer occupying a majority of the opening 139 defined by the ring portions 136a, 138a of the respective third and fourth guard members 136, 138.

[0036] As shown in FIG. 5, are offset by ninety degrees (90°) relative to each other. In this manner, first and second guard members 132, 134 are perpendicular to the third and fourth

guard members 136, 138, and together, occupy nearly the entire opening 139 defined by the ring portions 132a, 134a, 136a, 138a. The flap portions 132b, 134b, 136b, 138b of the respective first, second, third and fourth guard members 132, 134, 136, 138 are configured to flex downward upon engagement with a surgical instrument to facilitate passage of the surgical instrument through seal assembly 170. More particularly, engagement of the first and second flap portions 132b, 134b of the first and second guard members 132, 134, respectively, flexes the first and second flap portions 132b, 134b downward into engagement with the third and fourth flap portions 136b, 138b of the third and fourth guard members 136, 138. Continued insertion of the surgical instrument through the guard assembly 130 causes each of the first, second, third, and fourth flap portions 132b, 134b, 136b, 138b to engage with a septum seal 174 of the seal assembly 170 to stretch the septum seal 174 of the seal assembly 170 to increase the size of a central opening 173 of the septum seal 174. The increased size of the central opening 173 the septum seal 174 permits receipt of the surgical instrument through the valve assembly 120. The larger the diameter of the surgical instrument, the more the first, second, third, and fourth flap portions 132b, 134b, 136b, 138b of the first, second, third, and fourth guard members 132, 134, 136, 138 are flexed downward and the greater the size of the central opening 173 in the septum seal 174. The flap portions 132b, 134b, 136b, 138b guide and center the surgical instrument through the septum seal 174. In addition, the flap portions 132b, 134b, 136b, 138b may also inhibit inversion of the seal assembly 170 during withdrawal of a surgical instrument from the seal assembly 170.

[0037] It is envisioned that the guard assembly 130 may include a guard member (not shown) including a pair of opposed flap portions (not shown) supported on a single ring portion. In embodiments, the flap portions may extend radially outward from the ring portions, thereby necessitating folding the flap portions over the ring portions. See, for example, the embodiment

of FIG. 8. The guard assembly may include any number of guard members, and the guard members may include flap portions of any size or configuration.

[0038] Turning briefly to FIG. 7, in an alternative embodiment of the guard assembly 130', the flap portions 132b', 134b', 136b', 138b' of the respective first, second, third and fourth guard members 132', 134', 136', 138' overlap with one another. More particularly, the first flap portion 132b' of the first guard member 132' overlaps the third flap portion 136b' of the third guard member 136', the third flap portion 136b' of the third guard member 136' overlaps the second flap portion 134b' of the second guard member 134', the second flap portion 134b' of the second guard member 134' overlaps the fourth flap portion 138b' of the fourth guard member 138', and the fourth flap portion 138b' of the fourth guard member 138' overlaps the first flap portion 132b' of the first guard member 132'.

[0039] With reference again to FIG. 6, the guard assembly 130 further includes upper and lower retainer members 140, 142 for retaining the first, second, third and fourth guard members 132, 134, 136, 138. More particularly, the upper retainer member 140 includes a base 144 and the plurality of fingers or pins 146 extending downwardly from the base 144. The lower retainer member 142 includes a base 148 defining an annular channel 149 for securely receiving the plurality of pins 146 of the upper retainer member 140.

[0040] Although the plurality of pins 146 is shown as extending downwardly from the base 144 of the upper retainer member 140 for engagement with the lower retainer member 142, in other embodiments, the plurality of pins 146 may instead extend upwardly from the base 148 of the lower retainer member 142 for engagement with the upper retainer member 140, or the pins 146 may extend from both the upper and lower retainer members 140, 142 and extend both upwardly and downwardly. In addition, while the lower retainer member 142 is shown and described as including the annular channel 149, the lower retainer member 142 may instead include one or more discrete openings (not shown) for receiving the corresponding

fingers or pins, which may improve the engagement of the pins 146 with the lower retainer member 142 and increase the retention between the pins 146 and the lower retainer member 142 once the upper and lower retainer members 140, 142 are connected to each other. Employing the channel 149 instead of the discrete openings eliminates the need to circumferentially align the upper and lower retainer members 140, 142 prior to connecting the upper and lower retainer members 140, 142 to one another.

[0041] The plurality of pins 146 of the upper retainer member 140 of the guard assembly 130 are configured to be received through the plurality of openings 131, 133, 135, 137 in the respective ring portions 132a, 134a, 136a, 138a of the first, second, third, and fourth guard members 132, 134, 136, 138, respectively. Receipt of the plurality of pins 146 of the upper retainer member 140 of the guard assembly 130 through the plurality of openings 131, 133, 135, 137 in the respective first, second, third, and fourth guard members 132, 134, 136, 138 and subsequent attachment of the lower retainer member 142 to the upper retainer member 140 secures the first, second, third, and fourth guard members 132, 134, 136, 138 relative to one another. The upper and lower retainer members 140, 142 of the guard assembly 130 also secure the guard assembly 130 and seal assembly 170 the centering mechanism 150.

[0042] With particular reference to FIGS. 4 and 6, the centering mechanism 150 of the instrument valve housing 110 is configured to maintain the valve assembly 110 centered within the cavity 113 of the first and second housing sections 112, 114 of the instrument valve housing 110 (FIG. 3). More particularly, the centering mechanism 150 includes an annular ring 152 and a plurality of spokes or spring elements 154 extending radially outward from the annular ring 152. The centering mechanism 150 further includes a plurality of tabs 156 that extend inwardly from the annular ring 152 and are configured to engage the seal member 170. For a detailed description of the structure and function of an exemplary centering mechanism, please refer to commonly owned U.S. Pat. App. Pub. No. 2015/0025477 (“the ‘477 publication”), the

content of which is incorporated herein by reference in its entirety. It is envisioned that the centering mechanism 150 may include two centering mechanisms, as disclosed in the '477 publication.

[0043] As described in the '477 publication, the plurality of spokes 154 of the centering mechanism 150 each include a free end 154a configured to engage an inner wall 114a (FIG. 3) of the lower housing section 114 when the valve assembly 120 is moved off-center to bias the valve assembly 120 back to a centered position.

[0044] Alternatively, the centering mechanism may include a bellows or otherwise be configured to maintain the valve assembly 120 centered within the instrument valve housing 110.

[0045] Referring again to FIG. 6, the seal member 170 of the valve assembly 120 is configured to provide a seal around an outer surface of a surgical instrument passing through the instrument valve housing 110. The seal member 170 includes an annular flange 172, and the septum seal 174 supported by the annular flange 172. As shown, a free end 172a of the annular flange 172 may extend radially outwardly and in a proximal direction to facilitate reception of a surgical instrument through the septum seal 174.

[0046] The septum seal 174 of the seal member 170 is formed of an elastic material, e.g., rubber, and defines a central opening 173. In embodiments, the septum seal 174 may include one or more fabric layers. The septum seal 174 is configured to provide a seal around an outer surface of a surgical instrument passing through the valve assembly 120. A surface 174a of the septum seal 174 defining the central opening 173 may be beveled or otherwise configured to facilitate reception of the surgical instrument through the central opening 173 in the septum seal 174. The septum seal 174 further defines a plurality of openings 175 corresponding to the pins 146 extending from the upper retainer member 140 of the guard assembly 130.

[0047] With particular reference to FIG. 4, the upper retainer member 140 of the guard assembly 130 of the valve assembly 120 is received within the annular flange 172 of the seal member 170 such that the pins 146 of the upper retainer member 140 are received through the openings 175 (FIG. 6) in the septum seal 174 of the seal member 170. Prior to receiving the pins 146 of the upper retainer member 140 through the openings 175 in the septum seal 174, the first, second, third and fourth guard members 132, 134, 136, 138 of the guard assembly 130 are secured to the upper retainer member 140. In this manner, when the pins 146 of the upper retainer member 140 are received through the openings 175 in the septum seal 174, the first, second, third, and fourth guard members 132, 134, 136, 138 of the guard assembly 130 are disposed within the annular flange 172 of the seal assembly 170. The lower retainer member 142 of the guard assembly 130 is secured to the upper retainer member 140 to secure the first, second, third, and fourth guard members 132, 134, 136, 138 relative to the seal assembly 170. The upper and lower retainer members 140, 142 also maintain alignment and orientation of the first, second, third, and fourth guard members 132, 134, 136, 138.

[0048] In an assembled configuration, the seal assembly 170, including the guard assembly 130, is received within the annular ring 152 of the centering mechanism 150. More particularly, the tabs 156 (FIG. 6) extending inwardly from the annular ring 152 of the center mechanism 150 engage an outer surface of the annular flange 172 to maintain the seal assembly 170 within the centering mechanism 150.

[0049] During a surgical procedure utilizing cannula 100, an instrument (not shown) is introduced into the instrument valve housing 110 through the longitudinal passage 113 in the first and second housing sections 112, 114. As described above, the distal end of the instrument engages the first and second flap portions 132b, 134b of the respective first and second guard members 132, 134. The first and second flap portions 132b, 134b flex downward into contact with the third and fourth flap portions 136b, 138b of the respective third and fourth guard

members 136, 138. The first, second, third and fourth flap portions 132b, 134b, 136b, 138b flex into contact with the septum seal 174 of the seal member 170 to cause the central opening 173 of the septum seal 174 to open to accommodate passage of the surgical instrument through the septum seal 174. The first, second, third, and fourth guard members 132, 134, 136, 138 of the guard assembly 130 minimize damage to the seal member 170 during insertion of an instrument through the valve assembly 120.

[0050] The first, second, third, and fourth guard members 132, 134, 136, 138 of the guard assembly 130 operate to protect the septum seal 174 of the seal assembly 170 from tearing or other damage as a surgical instrument is received through the seal assembly 170. Additionally, the guard assembly 130 may prevent inversion of the septum seal 174 as the surgical instrument is retracted through the septum seal 174.

[0051] With reference now to FIGS. 8-10, a guard member according to another embodiment of the present disclosure is shown generally as guard member 230. The guard member 230 includes a ring portion 232 and first, second, third, fourth, fifth, and sixth petals 234, 236, 238, 240, 242, 244 supported by and extending radially outward from the ring portion 232 when the guard member 230 is in an initial or pre-folded condition (FIG. 8).

[0052] The ring portion 232 of the guard member 230 defines a plurality of openings 233 to facilitate engagement of the guard member 230 by retainer members, e.g., the upper and lower retainer members 140, 142 (FIG. 6). The ring portion 232 may define one or more openings corresponding to the first, second, third, fourth, fifth, and sixth petals 234, 236, 238, 240, 242, 244. In embodiments, and as will be described in further detail below, the plurality of petals may also each define one or more openings (FIG. 12) corresponding to openings in the ring portions when the petals are in a fully-folded condition (FIG. 10).

[0053] Each of the first, second, third, fourth, fifth, and sixth petals 234, 236, 238, 240, 242, 244 of the guard member 230 includes a flap portion 234a, 236a, 238a, 240a, 242a, 244a

and a connector portion 234b, 236b, 238b, 240b, 242b, 244b connecting the flap portions 234a, 236a, 238a, 240a, 242a, 244a of the respective first, second, third, fourth, fifth, and sixth petals 234, 236, 238, 240, 242, 244 to the ring portion 232. In embodiments, and as shown, the flap portions 234a, 236a, 238a, 240a, 242a, 244a of the first, second, third, fourth, fifth, and sixth petals 234, 236, 238, 240, 242, 244, respectively, define a spade-like body, although other configurations are envisioned. Similarly, although shown having six (6) petals, it is envisioned that the guard member may have more or less than six (6) petals.

[0054] The connector portions 234b, 236b, 238b, 240b, 242b, 244b of the respective petals 234, 236, 238, 240, 242, 244 are configured to permit inward folding of the respective petals 234, 236, 238, 240, 242, 244 such that the flap portions 234a, 236a, 238a, 240a, 242a, 244a of the respective first, second, third, fourth, fifth, and sixth petals 234, 236, 238, 240, 242, 244 occupy substantially the entire opening 231 defined by the ring portion 232. In embodiments, and as shown, the first, second, third, fourth, fifth, and sixth petals 234, 236, 238, 240, 242, 244 are configured to overlap one another when folded, as described below. The connector portions 234b, 236b, 238b, 240b, 242b, 244b may provide increased stability and structure to the respective first, second, third, fourth, fifth, and sixth petals 234, 236, 238, 240, 242, 244.

[0055] Turning briefly to FIG. 11, in embodiments, connector portions 234b', 236b', 238b', 240b', 242b', 244b' of respective first, second, third, fourth, fifth, and sixth petals 234', 236', 238', 240', 242', 244' of a guard member 230' define a hinge feature "H" to facilitate folding of the respective first, second, third, fourth, fifth, and sixth petals 234', 236', 238', 240', 242', 244'. The hinge feature "H" may be a living hinge including a weakened or thinned portion of the connector portions 234b', 236b', 238b', 240b', 242b', 244b'. The hinge feature "H" may also facilitate orienting and aligning the first, second, third, fourth, fifth, and sixth petals 234', 236', 238', 240', 242', 244'.

[0056] With particular reference to FIG. 10, the first, second, third, fourth, fifth, and sixth petals 234, 236, 238, 240, 242, 244 of the guard member 230 are shown in a sequentially overlapping configuration. More particularly, the flap portion 234a of the first petal 234 overlaps the flap portion 236a of the second petal 236, which overlaps the flap portion 238a of the third petal 238, which overlaps the flap portion 240a of the fourth petal 240, which overlaps the flap portions 242a of the fifth petal 242, which overlaps the flap portion 244a of the sixth petal 244. In this manner, downward flexing of one of the flap portions 234, 236, 238, 240, 242, 244 during engagement by a surgical instrument causes downward flexing of all of the flap portions 234, 236, 238, 240, 242, 244.

[0057] Alternatively, the first, second, third, fourth, fifth, and sixth petals 234, 236, 238, 240, 242, 244 of the guard member 230 may be arranged in an alternating pattern. More particularly, the first, second, third, fourth, fifth, and sixth petals 234, 236, 238, 240, 242, 244 are arranged such that the second and sixth petals 236, 244 overlap the first petal 234, the second and fourth petals 236, 240 overlap the third petal 238, and the fourth and sixth petals 240, 244 overlap the fifth petal 242.

[0058] With reference to FIG. 12, in an alternative embodiment, a guard assembly 230' includes a ring portion 232' and first, second, third, fourth, fifth, and sixth petals 234', 236', 238', 240', 242', 244' each including a respective flap portion 234a', 236a', 238a', 240a', 242a', 244a'. Each of the flap portions 234a', 236a', 238a', 240a', 242a', 244a' defines one or more openings 233, 235, 237, 239, 241, 243 corresponding to one or more openings 231a, 231b, 231c, 231d, 231e, 231f in the ring portion 232'. The one or more openings 233, 235, 237, 239, 241, 243 of the respective of the flap portions 234a', 236a', 238a', 240a', 242a', 244a align with the corresponding one or more openings 231a, 231b, 231c, 231d, 231e, 231f in the ring portion 232' when the first, second, third, fourth, fifth, and sixth petals 234', 236', 238', 240', 242', 244' are in a folded configuration, e.g., FIG. 10.

[0059] The one or more openings 233, 235, 237, 239, 241, 243 of the first, second, third, fourth, fifth, and sixth petals 234', 236', 238', 240', 242', 244' are configured to receive pins, e.g., pins 146 (FIG. 6) of a retainer member, e.g., upper retainer member 140. Receipt of the pins through the one or more openings 233, 235, 237, 239, 241, 243 align the first, second, third, fourth, fifth, and sixth petals 234, 236, 238, 240, 242, 244 relative to each other and provide structure support to the guard member 230'.

[0060] While various embodiments of the present disclosure have been shown and described herein, it will be obvious to those skilled in the art that these embodiments are provided by way of example only. Numerous variations, changes, and substitutions will now occur to those skilled in the art without departing from the present disclosure. Accordingly, it is intended that the invention be limited only by the spirit and scope of the appended claims.

CLAIMS

1. A cannula comprising:

an instrument valve housing including first and second housing sections and defining a cavity; and

a valve assembly disposed within the cavity of the instrument valve housing, the valve assembly including:

a seal assembly including an outer flange and a septum seal extending across the outer flange,

a guard assembly disposed within the outer flange of the seal assembly, the guard assembly including a plurality of guard members, each guard member of the plurality of guard members having a ring portion and a flap portion, and

a centering mechanism including an annular ring and a plurality of spokes extending outwardly from the annular ring, the outer flange of the seal assembly being supported within the annular ring and the annular ring being disposed within the cavity of the instrument valve housing, wherein the flap portions of the guard members of the guard assembly are configured to engage and stretch the septum seal during reception of a surgical instrument through the valve assembly.

2. The cannula of claim 1, wherein the guard assembly includes first, second, third and fourth guard members, each of the guard members including a ring portion and a flap portion.

3. The cannula of claim 2, wherein the flap portions do not extend beyond a midline of the ring portions.

4. The cannula of claim 2, wherein the first and second flap portions are disposed opposite one another and the third and fourth flap portions are disposed opposite one another.

5. The cannula of claim 4, wherein the first and second flap portions are disposed perpendicular to the third and fourth flap portions.

6. The cannula of claim 2, wherein the flap portions include a substantial mushroom cap shape.

7. The cannula of claim 1, wherein the guard assembly further includes upper and lower retainer members, at least one of the upper or lower retainer members including a plurality of pins configured to engage the ring portions of the plurality of guard members.

8. The cannula of claim 2, wherein the flap portion of the first guard member overlaps the flap portion of the second guard member, the flap portion of the second guard member overlaps the flap portion of the third guard member, the flap portion of the third guard member overlaps the flap portion of the fourth guard member and the flap portion of the fourth guard member overlaps the flap portion of the first guard member.

9. A cannula comprising:

an instrument valve housing including first and second housing sections and defining a cavity; and

a valve assembly disposed within the cavity of the instrument valve housing, the valve assembly including:

a seal assembly including an outer flange and a septum seal extending across the outer flange,

a guard assembly disposed within the outer flange of the seal assembly, the guard assembly including a guard member having a ring portion and a plurality of petals, and

a centering mechanism including an annular ring and a plurality of spokes extending outwardly from the annular ring, the outer flange of the seal assembly being supported within the annular ring, wherein the plurality of petals of the guard member are configured to engage and stretch the septum seal during reception of a surgical instrument through the valve assembly.

10. The cannula of claim 9, wherein each petal of the plurality of petals includes a flap portion and a connector portion, each of the flap portions being connected to the ring member by a respective connector portion.

11. The cannula of claim 10, wherein the plurality of petals extend radially outward from the ring portion.

12. The cannula of claim 11, wherein the plurality of petals are configured to be folded over the ring portion such that the flap portions overlap adjacent flap portions.

13. The cannula of claim 10, wherein each of the flap portions defines one or more openings and the ring portion defines corresponding openings.

14. The cannula of claim 13, wherein the guard assembly further includes upper and lower retainer members, at least one of the upper or lower retainer members including a plurality of pins.

15. The cannula of claim 14, wherein the one or more openings in the flap portions and the corresponding openings in the ring portion are configured to receive the plurality of pins of the at least one upper or lower retainer members.

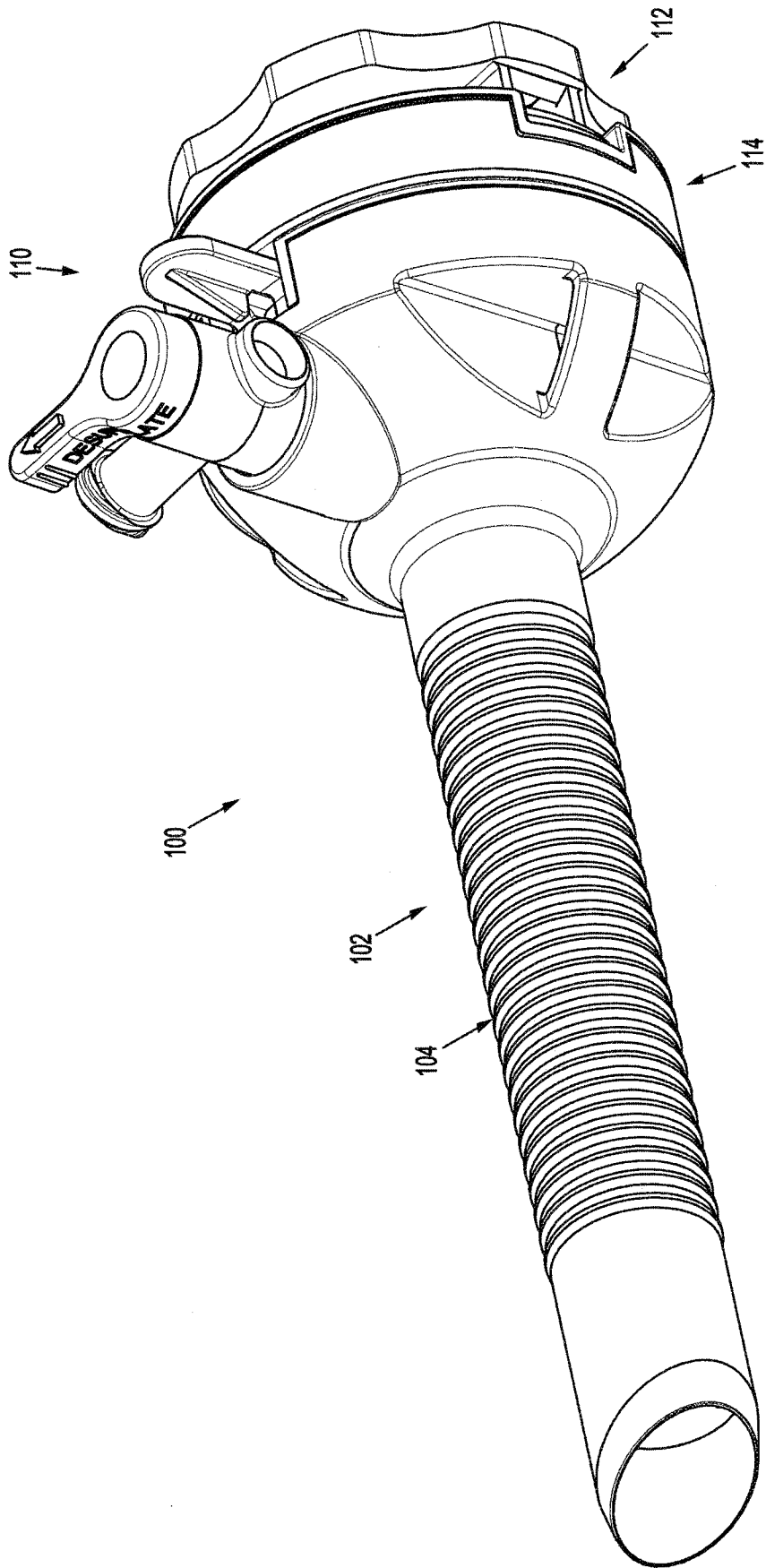


FIG. 1

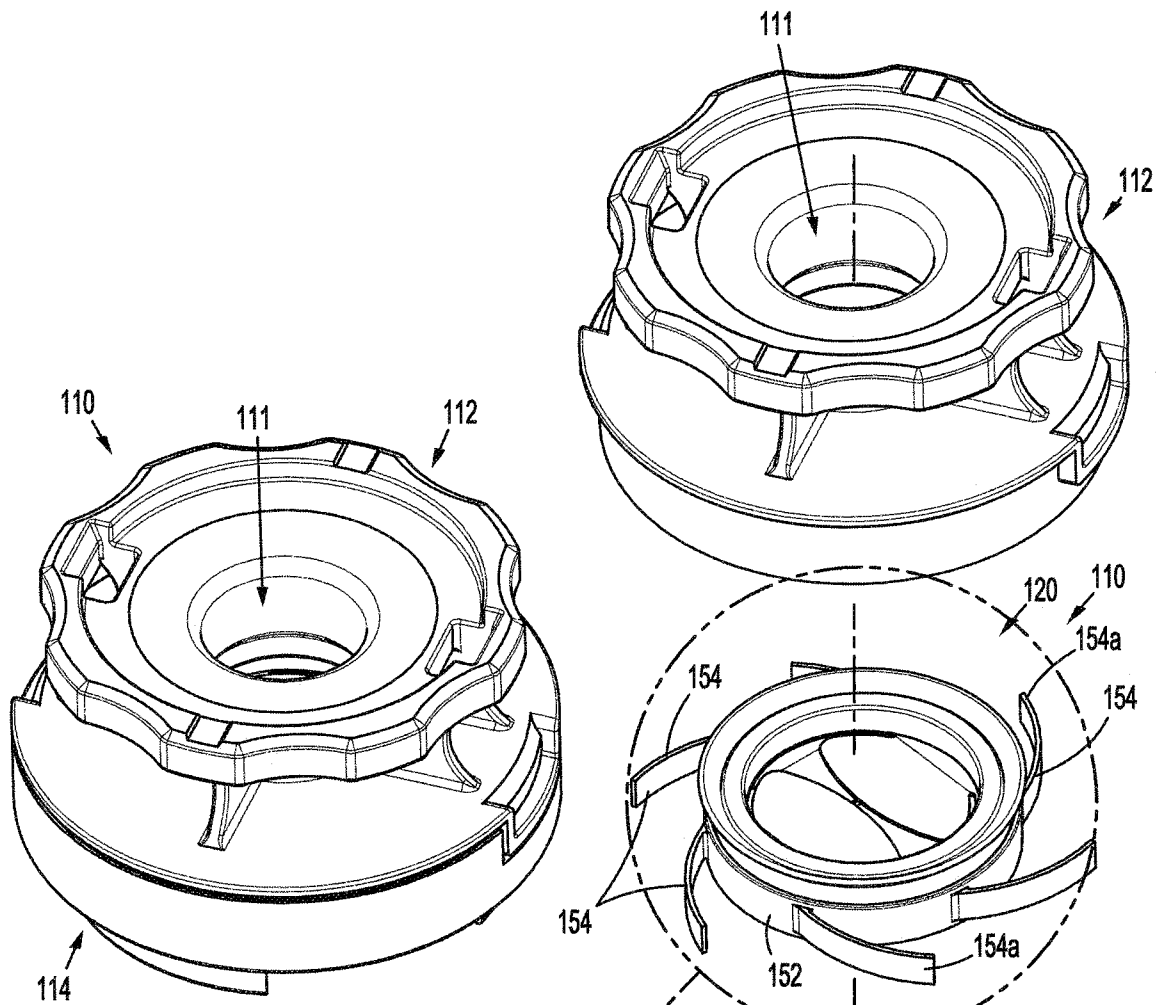


FIG. 2

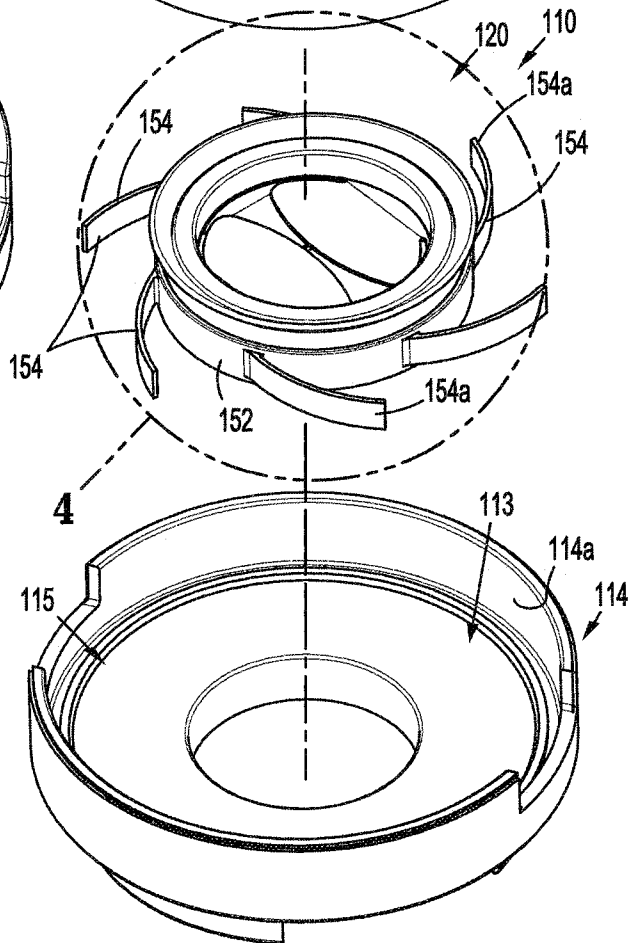


FIG. 3

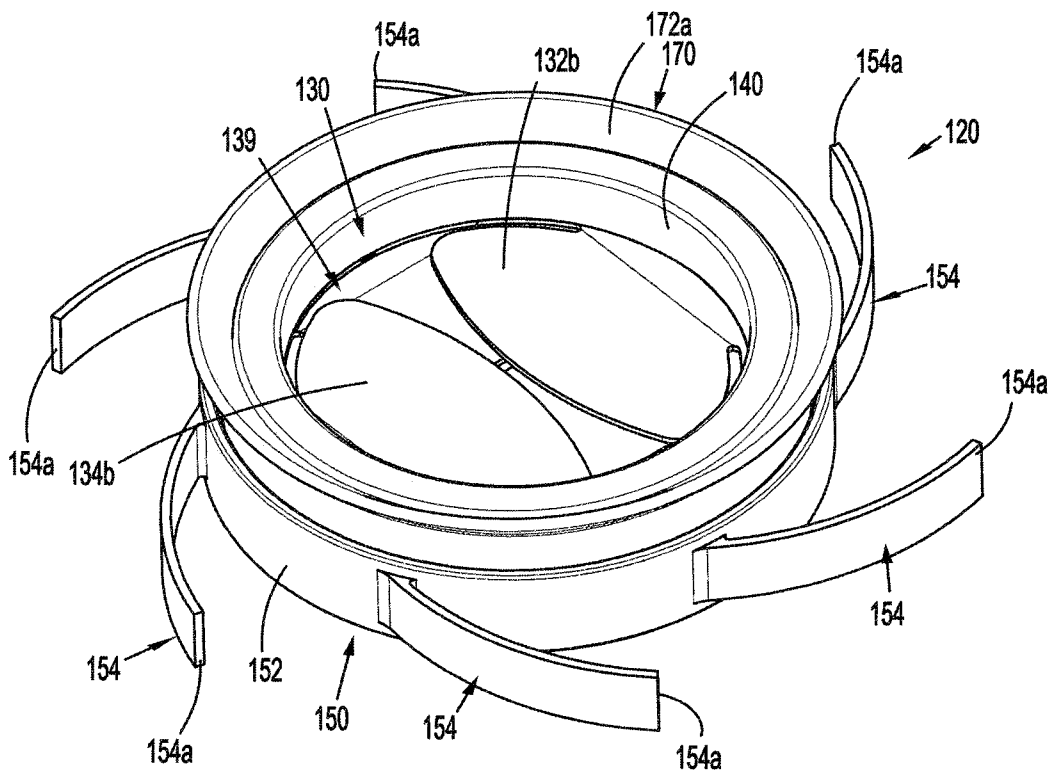


FIG. 4

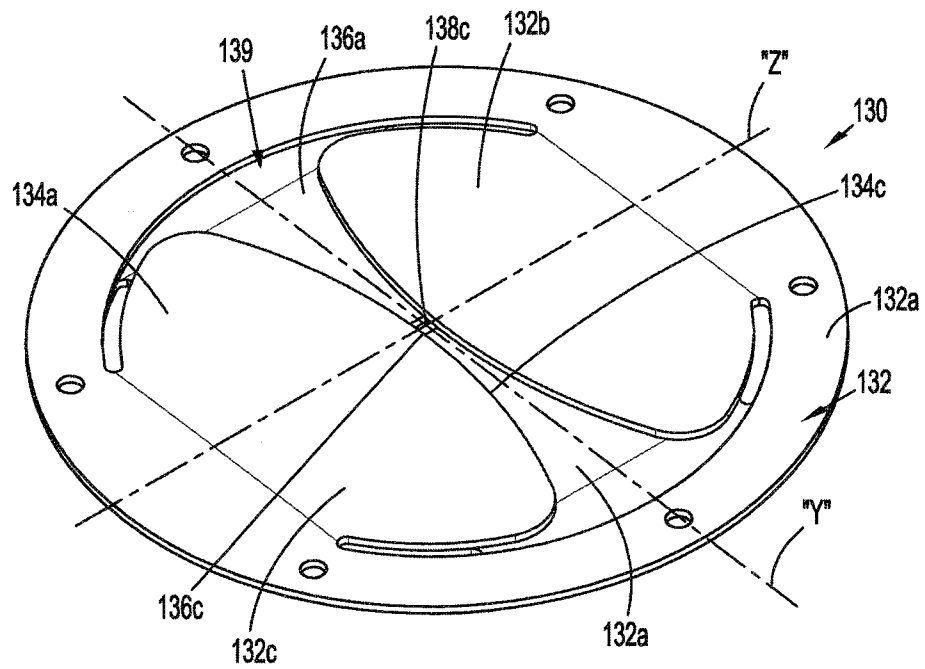


FIG. 5

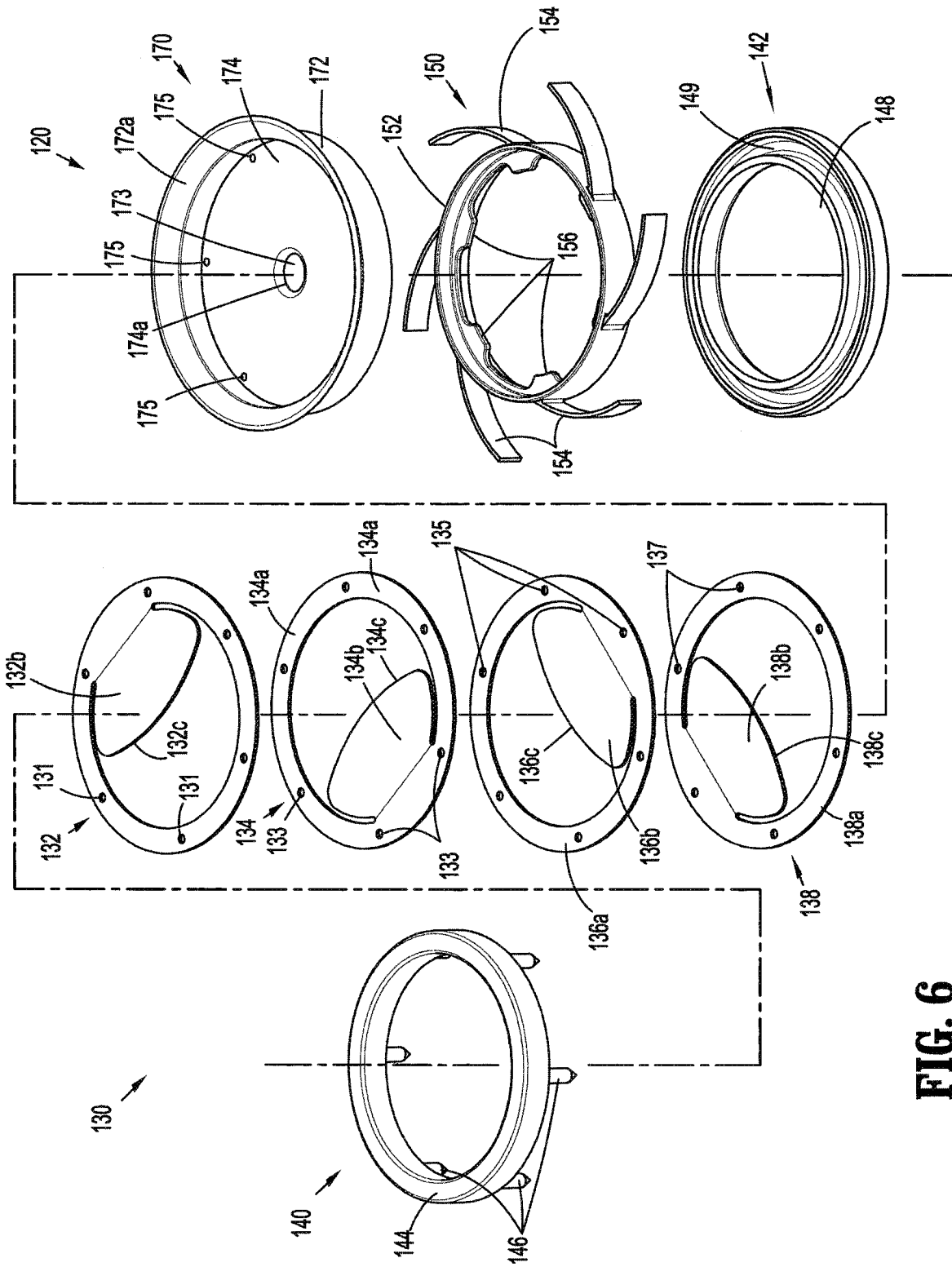


FIG. 6

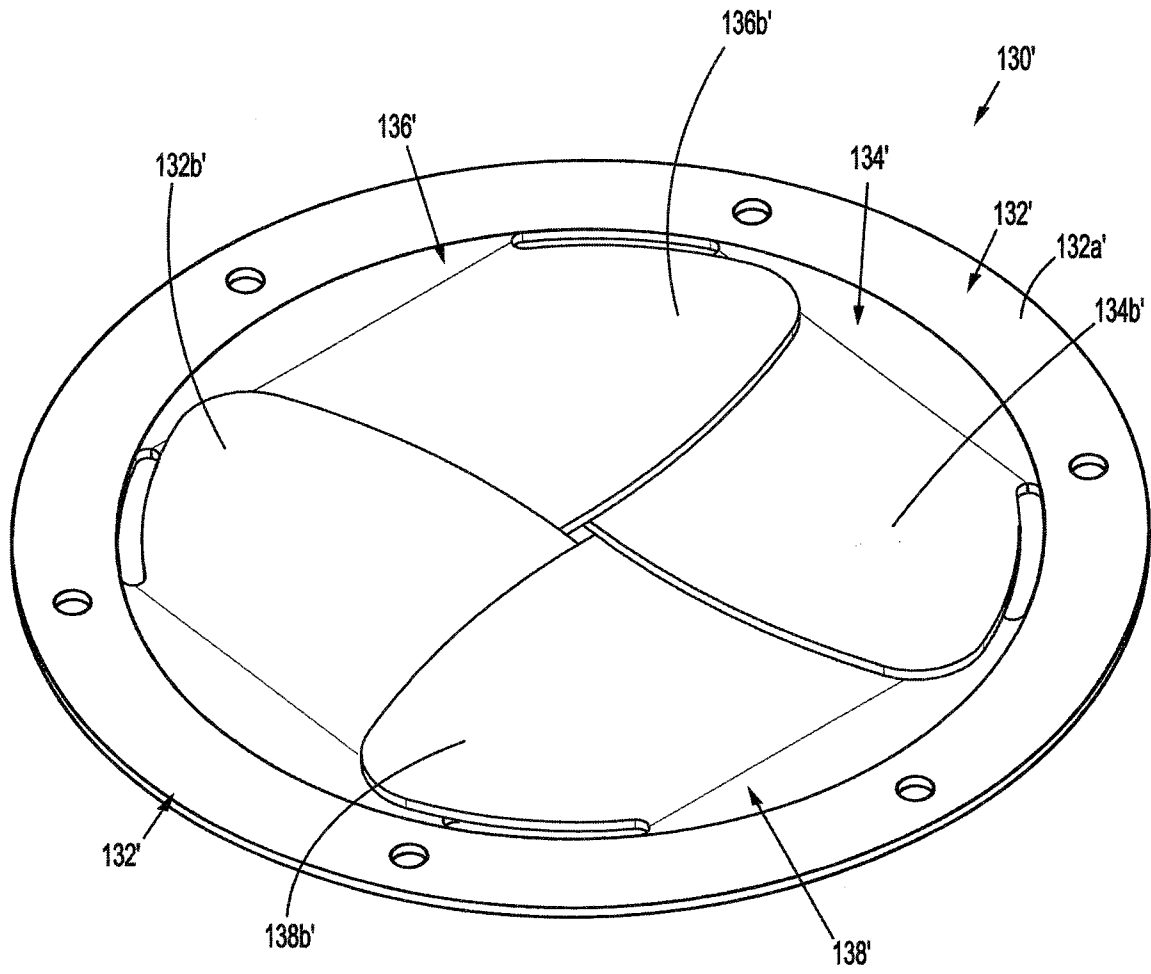


FIG. 7

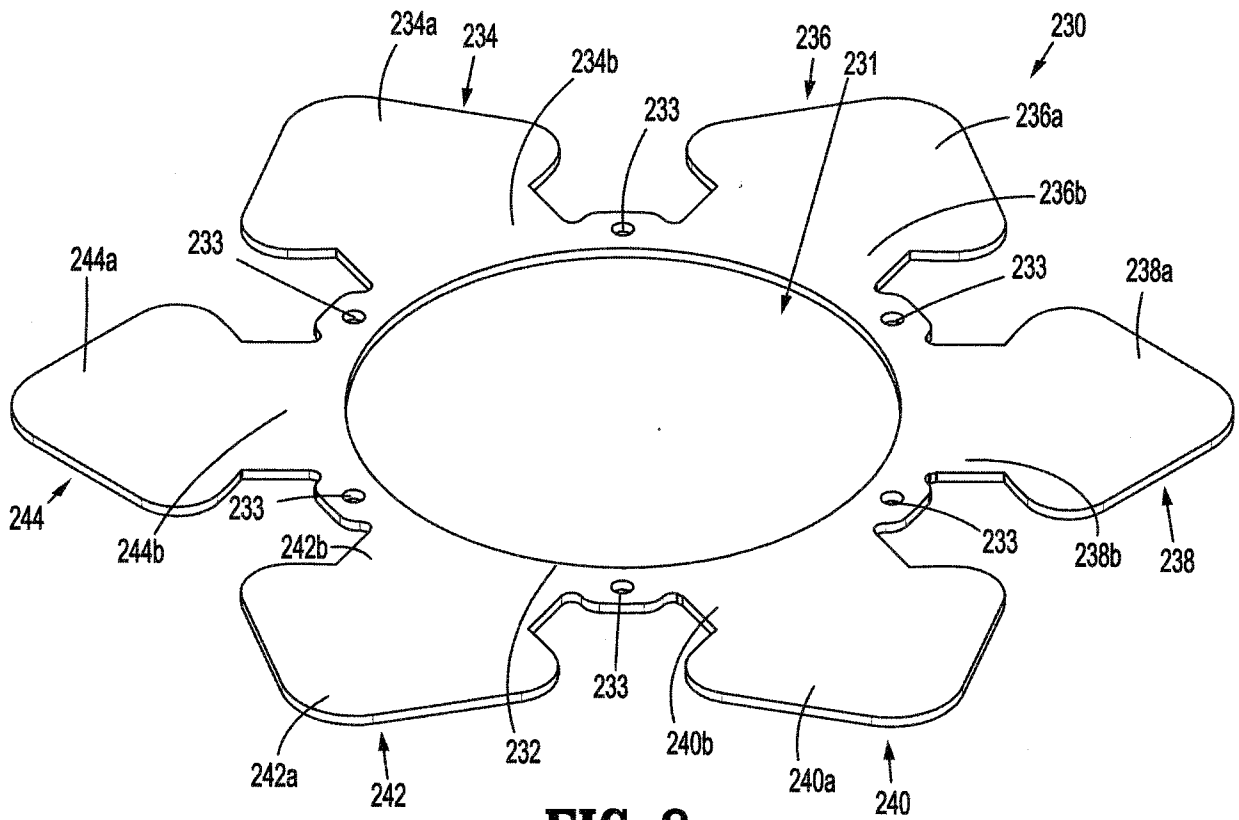


FIG. 8

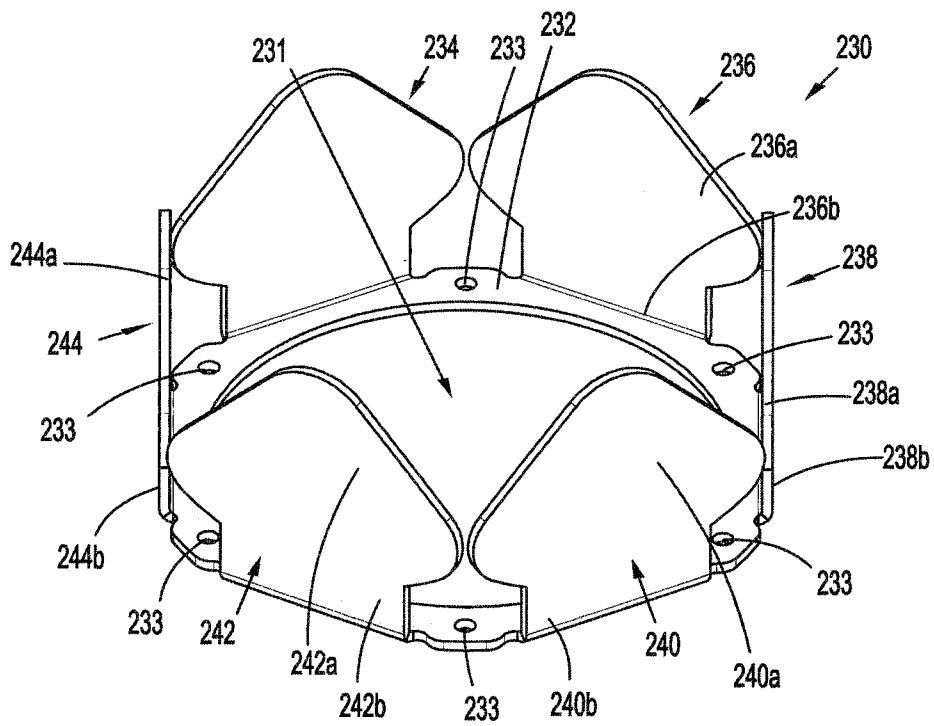


FIG. 9

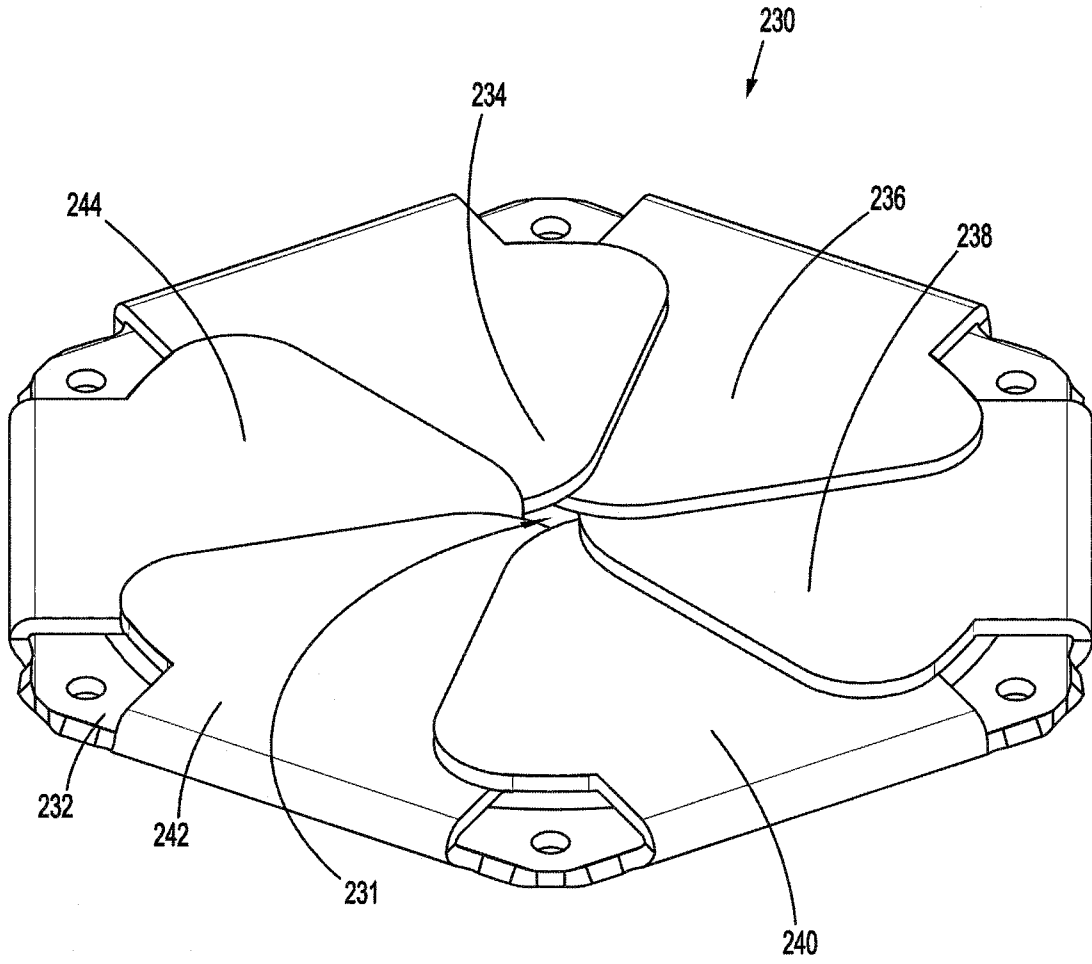


FIG. 10

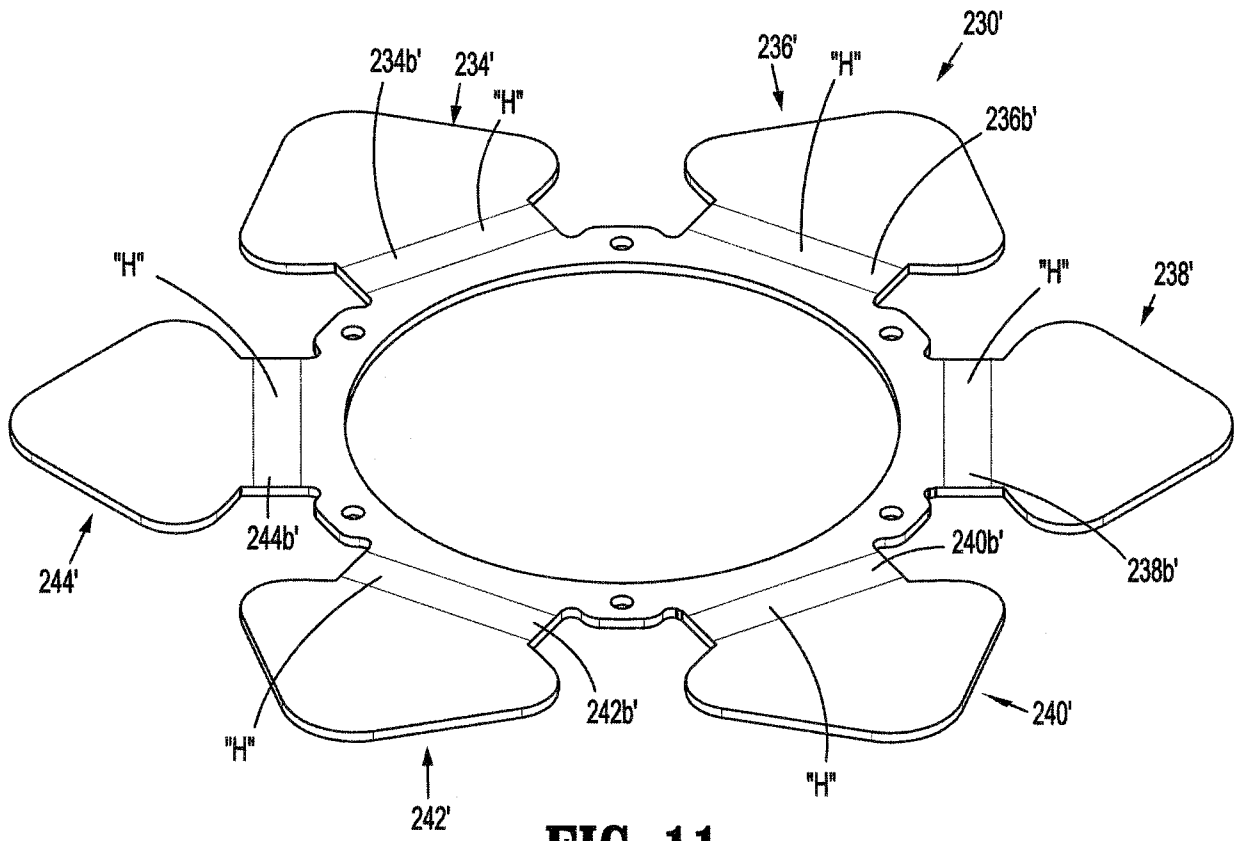


FIG. 11

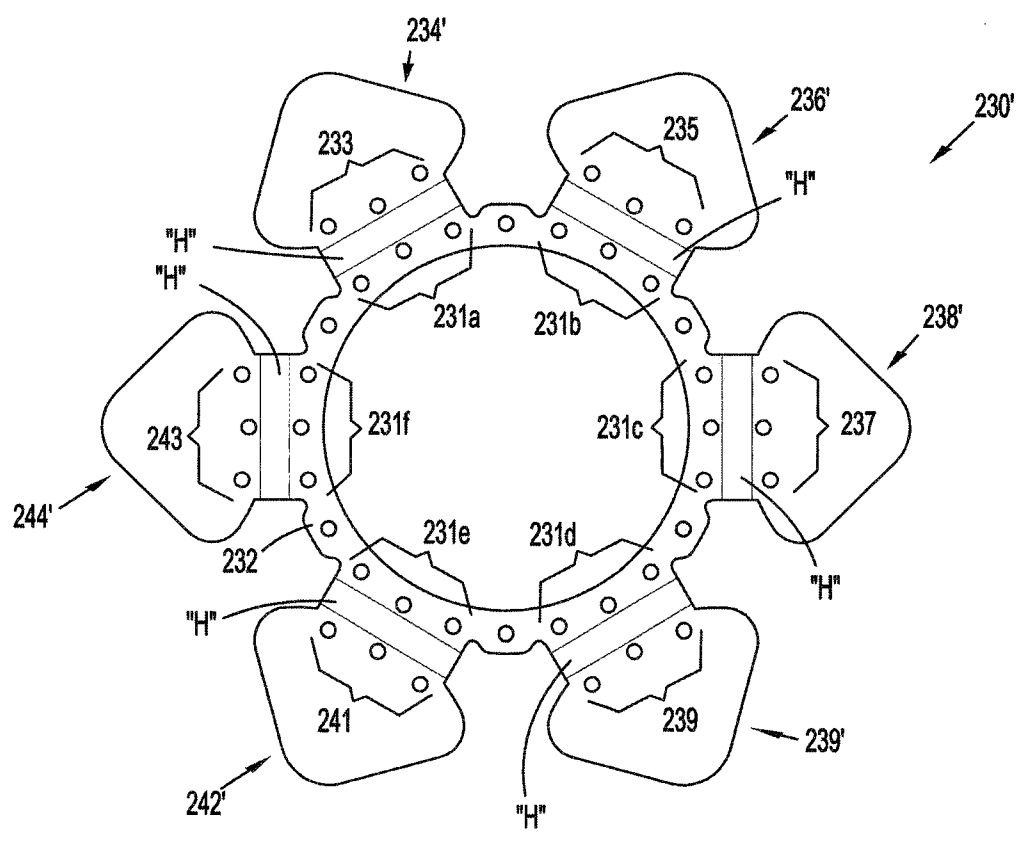


FIG. 12

