



- (51) International Patent Classification:
A61M 5/178 (2006.01)
- (21) International Application Number:
PCT/US2014/028363
- (22) International Filing Date:
14 March 2014 (14.03.2014)
- (25) Filing Language: English
- (26) Publication Language: English
- (30) Priority Data:
61/800,154 15 March 2013 (15.03.2013) US
- (71) Applicant: AMGEN INC. [US/US]; One Amgen Center Drive, Thousand Oaks, CA 91320-1799 (US).
- (72) Inventors: MOUNCE, R., Paul; 211 N. Beachwood Dr., Burbank, CA 91506 (US). JUDD, Clinton; 1621 Evangeline Place, Oxnard, CA 93030 (US).
- (74) Agent: SCHWARZ, Paul, A.; Kaplan Breyer Schwarz & Ottesen, Llp, 100 Commons Way, Suite 250, Holmdel, NJ 07733 (US).

(81) Designated States (unless otherwise indicated, for every kind of national protection available): AE, AG, AL, AM, AO, AT, AU, AZ, BA, BB, BG, BH, BN, BR, BW, BY, BZ, CA, CH, CL, CN, CO, CR, CU, CZ, DE, DK, DM, DO, DZ, EC, EE, EG, ES, FI, GB, GD, GE, GH, GM, GT, HN, HR, HU, ID, IL, IN, IR, IS, JP, KE, KG, KN, KP, KR, KZ, LA, LC, LK, LR, LS, LT, LU, LY, MA, MD, ME, MG, MK, MN, MW, MX, MY, MZ, NA, NG, NI, NO, NZ, OM, PA, PE, PG, PH, PL, PT, QA, RO, RS, RU, RW, SA, SC, SD, SE, SG, SK, SL, SM, ST, SV, SY, TH, TJ, TM, TN, TR, TT, TZ, UA, UG, US, UZ, VC, VN, ZA, ZM, ZW.

(84) Designated States (unless otherwise indicated, for every kind of regional protection available): ARIPO (BW, GH, GM, KE, LR, LS, MW, MZ, NA, RW, SD, SL, SZ, TZ, UG, ZM, ZW), Eurasian (AM, AZ, BY, KG, KZ, RU, TJ, TM), European (AL, AT, BE, BG, CH, CY, CZ, DE, DK, EE, ES, FI, FR, GB, GR, HR, HU, IE, IS, IT, LT, LU, LV, MC, MK, MT, NL, NO, PL, PT, RO, RS, SE, SI, SK, SM, TR), OAPI (BF, BJ, CF, CG, CI, CM, GA, GN, GQ, GW, KM, ML, MR, NE, SN, TD, TG).

[Continued on next page]

(54) Title: DRUG CASSETTE, AUTOINJECTOR, AND AUTOINJECTOR SYSTEM

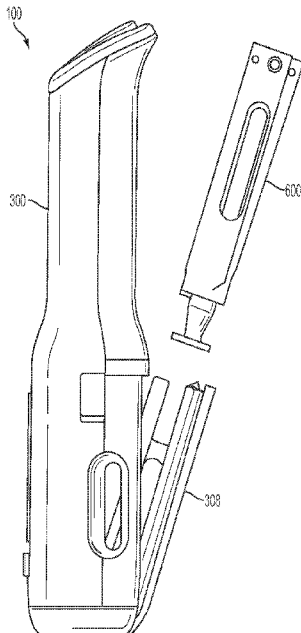


FIG. 1

(57) Abstract: A cassette for use with an injector has a housing, and a cassette identification arrangement (cassette ID) defining a code containing information about the cassette that is detectable and decipherable by an injector. The cassette may further have an integrated cassette syringe movably disposed within the housing, for holding a drug, and a locking arrangement for interlocking the integrated cassette syringe with the housing. The cassette may further have an aperture in the housing, and a cassette cap for removing a needle shield of the integrated cassette syringe. The cassette may have an anti-bending structure to prevent bending or flexing of the cassette cap. The injector may have a processor for controlling operational parameters of the injector and a detector communicatively coupled with the processor for detecting and communicating the cassette ID to the microprocessor to decipher the code defined therein.



Published:

— with international search report (Art. 21(3))

— before the expiration of the time limit for amending the claims and to be republished in the event of receipt of amendments (Rule 48.2(h))

**DRUG CASSETTE, AUTOINJECTOR,
AND AUTOINJECTOR SYSTEM**

FIELD

[0001] The disclosure relates to injection systems and apparatus. More particularly, the disclosure relates to an autoinjector apparatus comprising an autoinjector and a cassette useable with the autoinjector, which conceals an injection needle of an integrated cassette syringe before and after an injection.

BACKGROUND

[0002] Pre-filled hypodermic syringes can be used for home-use because they may be prepared with a required dosage of a pharmaceutical product and are operated by merely advancing the stopper of the syringe. Aside from the costs of the particular medication used, pre-filled syringes may be economically manufactured.

[0003] Nevertheless, pre-filled syringes can have drawbacks. Specifically, many users are either frightened by an exposed injection needle or feel they are inherently incapable of performing an injection. Because of aversions to exposed needles, as well as health and safety issues that may be involved, various types of injectors and other devices have been developed for concealing needles from the user and automating the injection task to assist the user in performing the injection, ensure reliable delivery of the medication and ensure patient safety. See the following patents or patent applications, which are each herein incorporated by reference in its entirety: U.S. Pat. Nos. 8,052,645 and 8,177,749 ; U.S. Publ. No. 2012/0101439; and PCT Publ. No. WO 2012/145685.

[0004] Typically, three tasks may be performed when injecting a drug into a patient with a hypodermic syringe: 1) insertion of the needle into the patient; 2) injection of the drug from the syringe into the patient; and 3) withdrawal of the needle after the injection has been completed. For each task, the magnitude and direction of forces on the syringe, as well as the location of their application, may be different from the other tasks. For example, insertion of the needle may require the application of a minimal force on the syringe, for a very short period of time. On the other hand, injection of the medicament may require the application of a much greater force on the plunger of the syringe, and this force may need to be applied for a relatively longer period of time. Further, needle withdrawal may require the application of a force in an opposite direction from needle insertion. These, and other similar considerations, may become relevant when the injection process is to be automated.

[0005] In addition to these mechanical considerations, the design of an autoinjector may require user-friendly considerations. In particular, it may be desirable for the injection needle of the syringe to be operationally concealed from the view of a user. Preferably, this concealment is maintained before, during and after an injection procedure. Further, it may be desirable that operation of the syringe be limited to only those times when the syringe is properly positioned for an injection and/or when the appropriate sequence of actions are performed by the user.

[0006] Accordingly, an improved autoinjector apparatus is needed.

SUMMARY

[0007] Disclosed herein is a cassette for an autoinjector. It should be noted, however, that while the specification frequently refers to an autoinjector, in various embodiments the device may also be referred to as an injector. Reference to an autoinjector is often associated with a patient providing an injection to themselves, however, such an injection may also be administered by a health care provider. Similarly, use of an injector may be undertaken by either the patient or health care provider.

[0008] In various embodiments the cassette may comprise a housing, and a body member having a fluid chamber for containing a drug and an injection needle in fluid communication with the chamber, the body member moveable in the housing between a proximal position and a distal position.

[0009] In various embodiments the injection needle may be disposed at a proximal end of the body member.

[0010] In various embodiments the cassette may further comprise a plunger-stopper for the chamber to dispense a drug from the chamber through the injection needle.

[0011] In various embodiments the body member may have an open distal end for allowing the injector to interface with the plunger-stopper.

[0012] In various embodiments the body member may have a drive post for allowing the injector to interface with the body member.

[0013] In various embodiments, the cassette may further comprise a locking arrangement for interlocking the body member with the housing, the locking arrangement comprising a spring-biased member associated with one of the housing and the body

member, and a fixed member associated with the other one of the housing and the body member for interlocking with the spring-biased member.

[0014] In various embodiments the locking arrangement may further comprise a cam for unlocking the spring-bias and fixed members.

[0015] In various embodiments the cam is associated with the spring-biased member.

[0016] In various embodiments the spring-biased member may comprise at least one locking foot and the fixed member may comprise at least one slot, the at least one locking foot engaging the at least one slot in a locked position, to interlock the body member with the housing.

[0017] In various embodiments the at least one locking foot is disposed on a hand member.

[0018] In various embodiments the hand member is connected to the one of the housing and the body member by at least one flexible arm member, the at least one arm member biasing the hand member.

[0019] In various embodiments the at least one arm member biases the hand member in an unlocked position where the at least one locking foot is disengaged from the at least one slot.

[0020] In various embodiments the at least one arm member biases the hand member in the locked position where the at least one locking foot is engaged with the at least one slot.

[0021] In various embodiments the cam is disposed on the hand member.

[0022] In various embodiments the cam is actuated by the injector during a needle-insertion cycle of the injector.

[0023] In various embodiments the at least one locking foot and the at least one slot have angled surfaces which engage one another if the at least one locking foot is engaged with the at least one slot, to facilitate self-locking or self-unlocking thereof, depending upon the angle of the surfaces.

[0024] In various embodiments the locking arrangement may further comprise a second cam for preventing the spring biased member from interfering with the assembly of the body member to the housing.

[0025] In various embodiments the second cam is disposed on the hand member.

[0026] In various embodiments the second cam extends forward of a leading edge of the hand member.

[0027] In various embodiments, the cassette may further comprise a latch mechanism comprising a first member associated with the housing and a second member associated with the body member.

[0028] In various embodiments, the cassette may further comprise a needle shield disposed over the injection needle, a cassette cap for removing the needle shield, the cassette cap comprising a first and second body portions, the first body portion engaging the needle shield, the first body portion extending through the aperture in the housing and defining an end that can be gripped to withdraw the cassette cap from the housing to remove the needle shield, the second body portion defining a key, and an anti-bending structure for preventing bending or flexing of the cassette cap, the cassette cap having at

least a first member associated with the key and the housing having at least a second member for interacting with the first member.

[0029] In various embodiments the first member may comprise a first pair of tabs.

[0030] In various embodiments the first pair tabs are disposed on side walls of the key.

[0031] In various embodiments the first member may further comprise a second pair of tabs spaced from the first pair of tabs.

[0032] In various embodiments the second pair tabs are disposed on side walls of the key.

[0033] In various embodiments the tabs extend from outer surfaces of the side walls.

[0034] In various embodiments the first pair of tabs are disposed adjacent a first end of the key and the second pair of tabs are disposed adjacent to a second end of the key.

[0035] In various embodiments the second member may comprise a pair of ribs.

[0036] In various embodiments the ribs are disposed on side walls of the housing.

[0037] In various embodiments upper surfaces of the tabs engage lower surfaces of the ribs.

[0038] In various embodiments the ribs extend from interior surfaces of the side walls.

[0039] In various embodiments the end of the first body portion includes a gripping flange.

[0040] In various embodiments, the cassette may further comprise a cassette identification arrangement (cassette ID) defining a code containing information about the cassette, the code being detectable and decipherable by the injector, the cassette ID

disposed on the housing, embedded within the housing, provided on or in a separate structure contained within the housing, or any combination thereof.

[0041] In various embodiments the cassette ID may comprise a contact system that requires contact between the cassette ID and the injector, a non-contact system that requires no contact between the cassette ID and the injector, or any combination thereof.

[0042] In various embodiments the contact system may comprise one or more tabs, one or more indentations, one or more electrically conductive strips, or any combination thereof, for contacting one or more sensing elements of a detector of the injector when the cassette is placed in or on the injector.

[0043] In various embodiments the code is at least partially determined by the absence of one or more of the one or more tabs, indentations, electrically conductive strips, or any combination thereof.

[0044] In various embodiments the one or more tabs, indentations, electrically conductive strips, or any combination thereof are provided at various housing positions, the code at least partially determined by the various housing positions of the one or more tabs, indentations, electrically conductive strips, or any combination thereof.

[0045] In various embodiments the number of the one or more tabs, indentations, electrically conductive strips, or combination thereof, at least partially determining the code.

[0046] In various embodiments each of the one or more electrically conductive strips defines a straight or tortuous path, the code at least partially determined by the path of each of the one or more electrically conductive strips.

[0047] In various embodiments each of the one or more tabs may have a length selected from two or more different lengths, the code at least partially determined by the length of the one or more tabs.

[0048] In various embodiments each of the one or more indentations may have a depth selected from two or more different depths, the code at least partially determined by the depth of the one or more indentations.

[0049] In various embodiments the non-contact system may comprise a device for emitting a radio-frequency (RF) electromagnetic field (EMF), a device for emitting a magnetic field (MF), a device for emitting a machine-readable optical representation of data (ORD), or any combination thereof, the RF EMF, MF, ORD, or any combination thereof being sensed by a detector of the injector when the cassette is placed in or on the injector, the code at least partially determined by the RF EMF, MF, ORD, or any combination thereof.

[0050] In various embodiments the cassette may comprise a training cassette.

[0051] In various embodiments the cassette may comprise a drug cassette.

[0052] In various embodiments the fluid chamber of the body member is filled for treatment or prefilled with a drug.

[0053] In various embodiments the cassette may comprise a single-use cassette.

[0054] In various embodiments the information may comprise information that identifies the type of cassette, identifies the content of the cassette, identifies whether the cassette is an OEM cassette, identifies manufacturing data about the cassette, or any combination thereof.

[0055] In various embodiments the information that identifies the content of the cassette may comprise the quantity of drug in the body member and drug characteristics.

[0056] In various embodiments the drug characteristics may comprise drug viscosity.

[0057] In various embodiments the information allows the injector to adjust or select its operational parameters or select one or a plurality of operational programs.

[0058] In various embodiments the operational parameters may comprise injection speed, needle insertion speed, pre and post-injection wait time, needle insertion depth, temperature limits, or any combination thereof.

[0059] In various embodiments the drug may comprise a therapeutic product.

[0060] In various embodiments the therapeutic product is selected from the group consisting of Epogen®, Aranesp®, Enbrel®, Neulasta®, Neupogen®, Nplate®, Vectibix®, Sensipar®, Xgeva® and Prolia®.

[0061] In various embodiments the therapeutic product is an antibody to IL-17 Receptor A.

[0062] In various embodiments the therapeutic product is an antagonist of angiopoietin-2.

[0063] In various embodiments the therapeutic product is a TNF blocker or inhibitor.

[0064] In various embodiments the TNF blocker or inhibitor is etanercept.

[0065] In various embodiments the TNF blocker or inhibitor is adalimumab, certolizumab, golimumab or infliximab.

[0066] In various embodiments the therapeutic product may have a viscosity of about 19 centipoise, at room temperature.

[0067] In various embodiments the therapeutic product may have a viscosity ranging between about 1 centipoise and about 320 centipoise, at room temperature.

[0068] In various embodiments the therapeutic product may have a viscosity ranging between about 5 centipoise and about 40 centipoise, at room temperature.

[0069] In various embodiments the therapeutic product may have a viscosity ranging between about 10 centipoise and about 35 centipoise, at room temperature.

[0070] In various embodiments the therapeutic product may have a viscosity ranging between about 15 centipoise and about 30 centipoise, at room temperature.

[0071] In various embodiments the therapeutic product may have a viscosity ranging between about 20 centipoise and about 25 centipoise, at room temperature.

[0072] In various embodiments the therapeutic product may have a viscosity ranging between about 16 centipoise and about 42 centipoise, at room temperature.

[0073] In various embodiments the therapeutic product may have a viscosity ranging between about 1 centipoise and about 29 centipoise, at room temperature.

[0074] Also disclosed herein is a method of injecting a drug into a patient with an autoinjector apparatus having an autoinjector and a cassette, wherein the drug is contained in a fluid chamber of a body member having an injection needle and a needle shield covering the needle, wherein the body member is disposed in the cassette, and wherein the cassette may have a cassette cap for removing the needle shield. In various embodiments, the method may comprise manually activating a first door-open state of the injector, in a computer process, deactivating all other operational states of the injector in response to activating the first door-open state, in a computer process, placing the injector

into a device-on state only after proper insertion of a valid one of the cassette into the injector, in a computer process, placing the injector into a cap-off state only after removal of the cassette cap from the cassette, in a computer process, placing the injector into a ready-to-inject state only after the injector is placed into stable contact with skin at an injection site, in a computer process, placing the injector into an injection-process state after manual activation of the injector, and in a computer process, opening the door of the injector and maintaining the door in the open-state and the injector in the device-on state until the cassette is removed from the injector.

[0075] Still further, a method is disclosed herein for treating a patient in need thereof. In various embodiments, the method may comprise providing a cassette containing a drug, and administering the drug to the patient using an injector.

BRIEF DESCRIPTION OF THE DRAWINGS

[0076] The accompanying figures show embodiments according to the disclosure and are exemplary rather than limiting.

[0077] FIG. 1 is a side view of an embodiment of an autoinjector apparatus comprising a cassette and an autoinjector, showing the cassette prior to installation in the autoinjector.

[0078] FIG. 2A is a front view of the autoinjector apparatus of FIG. 1 showing the cassette installed in the autoinjector.

[0079] FIG. 2B is a side view of a first side of the autoinjector apparatus of FIG. 1 showing the cassette installed in the autoinjector.

[0080] FIG. 2C is a rear view of the autoinjector apparatus of FIG. 1 showing the cassette installed in the autoinjector.

[0081] FIG. 2D is side view of a second side of the autoinjector apparatus of FIG. 1 showing the cassette installed in the autoinjector.

[0082] FIG. 2E is an end view of a first end of the autoinjector of the autoinjector apparatus of FIG. 1.

[0083] FIG. 2F is an end view of a second end of the autoinjector of the autoinjector apparatus of FIG. 1.

[0084] FIG. 2G is a state diagram showing an embodiment of the decision logic for controlling a skin sensor of the autoinjector apparatus of FIG. 1.

[0085] FIG. 2H is a sectional side view of an embodiment of the autoinjector apparatus showing the cassette installed in the autoinjector.

[0086] FIG. 3 is an exploded perspective view of an embodiment of the cassette.

[0087] FIG. 4 is a top down front perspective view of an embodiment of an ICS of the cassette.

[0088] FIG. 5A is a top down front perspective view of an embodiment of the cassette.

[0089] FIG. 5B is a sectional side view of the cassette of FIG. 5A.

[0090] FIG. 5C is a sectional side view of the cassette of FIG. 5A after removal of a cassette cap of the cassette.

[0091] FIG. 5D is a sectional side view of the cassette of FIG. 5C showing the integrated cassette syringe of the cassette in a needle-injected position.

[0092] FIG. 6A is a bottom down front perspective view of an embodiment of the cassette showing an integrated cassette syringe latch mechanism and an integrated cassette syringe locking arrangement.

[0093] FIG. 6B is a bottom view of an embodiment of an outer housing of the cassette shown in FIG. 6A showing certain elements of the integrated cassette syringe latch mechanism and the integrated cassette syringe locking arrangement.

[0094] FIG. 6C is a bottom up front perspective view of an embodiment of an integrated cassette syringe of the cassette shown in FIG. 3 showing certain elements of the integrated cassette syringe latch mechanism and the integrated cassette syringe locking arrangement.

[0095] FIG. 6D is a sectional side view of the cassette of FIG. 6A, showing the operation of a locking foot of the integrated cassette syringe locking arrangement.

[0096] FIGS. 7A-7E are internal side views of the cassette of FIG. 6A showing the operation of an opening cam of the integrated cassette syringe locking arrangement.

[0097] FIGS. 8A and 8B are internal side view of the cassette of FIG. 6A showing the operation of an assembly cam of the integrated cassette syringe locking arrangement.

[0098] FIGS. 9A and 9B are top down and bottom down front perspective views, respectively, of an embodiment of the cassette with a cassette identification arrangement.

[0099] FIG. 10A is a bottom down perspective view of a portion of the cassette showing an embodiment of the cassette identification arrangement.

[00100] FIG. 10B is a sectional side view of the cassette of FIG. 10A being inserted into an autoinjector constructed to detect and decipher the cassette identification arrangement embodied in FIG. 10A.

[00101] FIG. 11A is a bottom down perspective view of a portion of the cassette showing another embodiment of the cassette identification arrangement.

[00102] FIG. 11B is a sectional side view of the cassette of FIG. 11A being inserted into an autoinjector constructed to detect and decipher the cassette identification arrangement embodied in FIG. 11A.

[00103] FIG. 12A is a bottom down front perspective view of a portion of the cassette showing another embodiment of the cassette identification arrangement.

[00104] FIG. 12B is a sectional side view of the cassette of FIG. 12A being inserted into an autoinjector constructed to detect and decipher the cassette identification arrangement embodied in FIG. 12A.

[00105] FIG. 13A is a bottom down perspective view of a portion of the cassette showing a further embodiment of the cassette identification arrangement.

[00106] FIG. 13B is a bottom down perspective view of a portion of the cassette showing still another embodiment of the cassette identification arrangement.

[00107] FIG. 13C is a bottom down perspective view of a portion of the cassette showing yet another embodiment of the cassette identification arrangement.

[00108] FIG. 13D is a bottom down perspective view of a portion of the cassette showing another embodiment of the cassette identification arrangement.

[00109] FIG. 14 is a flow chart showing an embodiment of a method for assembling different product lines on a single manufacturing line using the cassette identification arrangement to control the assembly of prefilled integrated cassette syringes (containing a range of different drugs and/or fill levels) and to rout the assembled cassettes to the appropriate packaging stations.

[00110] FIG. 15A is a perspective rear view of an embodiment of a cassette cap of the cassette.

[00111] FIG. 15B is a sectional side view of the proximal end of a cassette showing the cassette cap of FIG. 15A coupled to a needle shield of an integrated cassette syringe provided in the cassette.

[00112] FIG. 15C is a bottom up front perspective view of a portion of the cassette with the cassette cap removed from the cassette.

[00113] FIG. 15D is a sectional side view of the proximal portion of the cassette installed in the autoinjector showing the operation of a cantilever lock arm of the cassette cap.

[00114] FIG. 16A is a top down front perspective view of a proximal portion of the outer housing of the cassette with the cassette cap removed, showing an embodiment of a slot for receiving a key portion of the cassette cap embodied in FIG. 15A.

[00115] FIG. 16B is a top down front perspective view of the cassette showing how an anti-rotation structure formed by the slot of the outer housing and the key of the cassette cap prevents the cassette cap from being rotated or twisted around its longitudinal axis Z

when the cassette cap is in the cassette (prior to needle shield removal) and thus, prevents rotation of the needle shield.

[00116] FIG. 17A is a top down front perspective view of another embodiment of the cassette cap having a key portion comprising first and second pairs of tabs.

[00117] FIG. 17B is a side view of the cassette cap of FIG. 17A.

[00118] FIG. 18A is a top down front perspective view of a proximal portion of the outer housing of the cassette with the cassette cap removed, showing another embodiment of a slot for receiving the tabs of the key portion of the cassette cap embodied in FIG. 17A and ribs disposed in the outer housing for engaging the tabs provided on the key portion of the cassette cap of FIG. 17A.

[00119] FIG. 18B is a top down rear perspective view of a proximal portion of the cassette outer housing showing the interior thereof and the ribs.

[00120] FIG. 19A is a front perspective view of an interior portion of the cassette with the cassette cap installed, which shows the tabs on one side of the cassette cap key portion engaged with one of the ribs in the cassette outer housing.

[00121] FIG. 19B is a sectional bottom view of a proximal portion of the cassette outer housing with the cassette cap installed, which shows the tabs on the cassette cap key portion engaged with the ribs in the cassette outer housing.

[00122] FIG. 20 is a top down front perspective view of the cassette showing how an anti-bending structure formed by the key tabs of the cassette cap and the ribs of the cassette outer housing prevent flexing or bending of the cassette cap in the vertical axis (X-axis) and horizontal axis (Y-Axis.).

[00123] FIG. 21 is a bottom up perspective view of the autoinjector of the autoinjector apparatus or system showing the installation of a cassette into the autoinjector.

[00124] FIG. 22 is a flow chart showing an embodiment of the decision logic for forcing a user to execute the steps of an injection process in a safe and reliable order.

DETAILED DESCRIPTION

[00125] FIG. 1 shows an embodiment of an autoinjector system or apparatus 100 that can be used for injecting a dose of pharmaceutical product (drug) into a patient, the injection often being self-administered by the patient (user). Alternatively, the drug can be administered by a health-care provider. As shown, the autoinjection system or apparatus 100 may comprise a removable cassette 600 and an autoinjector or injector 300. Various embodiments of the cassette 600 may be constructed to contain a drug to be injected into the user by the autoinjector 300. In various other embodiments the cassette 600 may be constructed for use in training the user to operate the autoinjector 300 (a training cassette). The autoinjector 300 may be constructed to deliver an injection automatically upon actuation by the user or some other person. Various embodiments of the autoinjector 300 may have a cassette door 308 that can be constructed to pivot between an open position and a closed position to allow insertion of the cassette 600 into the autoinjector 300. In some embodiments, the cassette door 308 may include a “cassette” icon (not shown) that indicates the insertion entry point for the cassette 600.

[00126] Referring collectively to FIGS. 2A-2F, various embodiments of the autoinjector 300 may comprise a casing 302 having a handle section 304 and a cassette receiving

section 306 inline with the handle section 304. To aid patients with manual dexterity issues, the handle section 304 of the autoinjector casing 302 may define an ergonomically shaped handle 305 with a soft grip area 305S. The cassette receiving section 306 comprises the cassette door 308 (FIGS. 2B and 2D) described earlier. The cassette door receives the cassette 600 in an open position (FIG. 1) and aligns the cassette 600 with insertion and extrusion drives, and other structures and components of the autoinjector 300 in a closed position. The cassette door 308 may include a “cassette” icon that indicates the insertion entry point for the cassette 600. The cassette receiving section 306 of the casing 306 may comprise windows 310A, 310B on sides thereof that align with windows of the cassette 600 when the cassette door 308 is closed with the cassette 600 correctly installed therein. In one or more embodiments, the windows 310A, 310B may be double-layered. One or more lights (not shown) may be provided inside the casing 302 to evenly backlight illuminate the cassette windows 612 so that the user can observe the injection cycle through the windows 310A, 310B of the autoinjector 300, i.e., observe the initial and end positions of a plunger-stopper 364 contained inside the cassette 600 during the syringe content (hereinafter “drug”) extrusion process, as well as syringe movements within the cassette 600.

[00127] Referring still to FIGS. 2A, 2B, 2D, and 2F, the autoinjector 300 may further comprise a user interface 312 and an audio speaker (not shown). The user interface 312 (best illustrated in FIG. 2A) may be located in the cassette receiving section 306 of the casing 302, and provides various visual indicators. The audio speaker may be disposed inside the casing 302 and provides various audible indicators. The audio speaker may

audibly communicate with the external environment via a speaker aperture 314 formed in the casing 302 in the cassette receiving section 306. The visual and audible indicators generated by the user interface 312 and the audio speaker can tell the user when the autoinjector 300 is ready for use, the progress of the injection process, injection completion, the occurrence of any errors, and other information. The autoinjector 300 may further comprise one or more of a settings/mute switch 315, a speed selector switch 316, a start button 307, and an eject button 317. The settings/mute switch 315 (FIG. 2B) may be located in the cassette receiving section 306 of the casing 302. The mute switch 315 may be constructed to allow the user to turn on and off all synthesized sounds, except error sounds, and to respond in real-time so that if the user begins the injection process and changes the mute switch to off, the sounds are immediately muted. The mute switch 315 may also be constructed to slide toward a “mute” icon to mute the audio speaker. A light indicator may be provided to confirm the “mute” state. The speed selector switch 316 (FIGS. 2A and 2B) may be located in the cassette receiving section 306 of the casing 302. The speed selector switch 316 may be constructed to allow the user to select among a plurality of preset drug delivery (extrusion) speeds to accommodate personal patient preference. The speed selector switch 316 may comprise a three switch positions. Other embodiments of the speed selector switch may comprise two switch positions, or 4 or more switch positions. In still other embodiments, the speed selector switch may be of the infinitely variable type. In some embodiments, changing the position of the switch 316 prior to injection changes the speed of drug extrusion during injection while changing the position of the speed selector switch 316 during injection, does not change the speed of

the injection in real time. The autoinjector 300 may also be provided with one or more demo cassettes to allow the user to experiment with different speeds of drug delivery. The start button 307 may be disposed at a free end of the handle 305. The button 307 may include an indentation 307I (FIG. 2F) for optimizing thumb placement on the button 307. The button 307 may be made of a translucent material that allows a lighting effect to illuminate the button as signals. The eject button 317 (FIG. 2D) may be located in the cassette receiving section 306 of the casing 302. The eject button 317 may include an indentation 317I for optimizing finger placement on the button 317. In some embodiments, the eject button 317 may be controlled by the microprocessor 350 (FIG. 2H) of the autoinjector 300, which may be programmed to eliminate accidental inputs during the injection process.

[00128] Referring to FIG. 2E, the cassette receiving section 306 of the casing 302 and the cassette door 308 may form a proximal end wall 318 of the autoinjector 300. The proximal end wall 318 may be configured as a broad, flat and stable base for easily positioning the autoinjector 300 on a support surface, after removal of a shield remover 640 of the cassette 600 or when the autoinjector 300 does not contain the cassette 600. The portion of the proximal end wall 318 formed by the cassette door 308 may include an aperture 308A that is sized and shaped to allow the shield remover 640 to be removed from the cassette 600 and withdrawn through the aperture 308A, when the cassette 600 is installed in the autoinjector 300. The proximal end wall of the autoinjector 300 may further comprise a target light 320. The target light 320 may be constructed to turn on when the shield remover 640 is removed from the cassette 600 and withdrawn through

the aperture 308A, thereby visually indicating that the shield remover 640 has been removed. Once turned on, the target light aids the user in visualizing and selecting an injection site.

[00129] Referring still to FIG. 2E, the autoinjector 300 may further comprise a capacitance-based skin sensor 380 (shown with broken lines) or any other suitable skin sensor. The skin sensor 380 may be coupled to a microprocessor provided, for example, in the autoinjector 300 in a manner that allows signals or data to be communicated to the microprocessor, so that the autoinjector 300 can determine when the proximal end wall 318 of the autoinjector 300 touches or contacts skin without the need to provide downward pressure on the injection-site area. The skin sensor 380 may also be constructed to inform the user through audible and visual indicators generated by the speaker and user interface, when skin contact is detected. In some embodiments, the skin sensor 380 may comprise two pads or electrodes (not shown) imbedded in the proximal end wall 318 of the autoinjector 300. When an electrode is touched, its capacitance signal increases. If the increase is sufficient as determined by the microprocessor, which may be programmed with sensor decision logic, that electrode will become activated. To determine whether skin contact has been made, the microprocessor reads the capacitance of the electrodes. The microprocessor then processes the capacitance information to determine when the electrodes are both making proper contact with the skin.

[00130] FIG. 2G is a state diagram illustrating the decision logic for controlling skin sensor 380 with the microprocessor of the autoinjector 300, according to an embodiment of the present disclosure. The process starts at 400 which represents a reset of the

autoinjector. The logic then flows to state 402 which represents the initialization of the skin sensor after the reset of the autoinjector. Once initialized, the logic flows to state 404 which represents a “no-touch” state where none or only one of electrodes of the sensor touch skin. If both electrodes touch skin for less than a certain threshold time period (e.g., one second), the logic flows to state 406 which represents a “touching” state. If one or neither one of the electrodes touches skin, the logic flows back to state 404. If, however, both electrodes touch skin for a period of time equal to the threshold time period (e.g., one second), the logic flows to state 408 which represents a “touch OK” state. If one electrode or no electrodes contact skin, the logic flows to a “releasing” state 409. If both electrodes touch skin, the logic flows back to “touch OK” state 408. If one or no electrodes contact skin for more than the threshold time period (e.g., more than one second), the logic flows back to “no touch” state 404.

[00131] As shown in FIG. 2H, various embodiments of the autoinjector 300 may comprise a chassis 301 disposed in the casing 302 for supporting a motorized needle insertion drive 330, a motorized drug extrusion drive 340, a microprocessor 350, a battery 360 for powering the drives 330, 340 and the microprocessor 350, and the skin sensor 380. The casing 302 may define an ergonomically shaped handle section 304 and a cassette receiving section 306. The chassis 301 may include a support surface 301s for supporting one or more cassettes 600 in the autoinjector 300 and aligning the cassette 600 or a selected one of the one or more cassettes 600 with motorized needle insertion and drug extrusion drives 330 and 340, respectively. A detector 370 may be provided on or in the cassette support surface 301s for sensing the presence of and/or information about the

cassette 600. The detector 370 may be coupled with the microprocessor 350 in a manner that allows signals or data to be communicated to the microprocessor 350. The insertion drive 330 may include an insertion rack 332, an insertion drive motor 331 and an insertion drive gear train 333 for transmitting rotary motion of the insertion drive motor 331 to drive the rack 332. The insertion rack may include a tab arrangement including, for example, proximal and distal tabs 332p and 332d, respectively, which interface with the cassette 600. The extrusion drive 340 may comprise an extrusion drive motor 341, a plunger rod 342, a lead screw 343, and an extrusion drive gear train 344. The plunger rod 342 is driven by the extrusion drive motor 341 through the lead screw 343 and the extrusion drive gear train 344, and may interface with the plunger 664 contained within the cassette 600. The autoinjector 300 can be used for executing multiple injections.

[00132] Referring still to FIG. 2H, the microprocessor 350 of the autoinjector 300 may be programmed with instructions that, when executed by the microprocessor 350, enable it to control and monitor the various operations and functions of the autoinjector 300. For example, but not limitation, the microprocessor 350 may be programmed with instructions for controlling the motorized insertion and extrusion drives 330, 340. Such instructions may control and monitor each step of the injection cycle and process flow, thereby automating needle insertion, drug extrusion, and needle retraction, and controlling the sequence of actions performed by the user so that the injection process and drug administration can be made more reliable, accurate, and consistent. The microprocessor 350 may also be programmed with instructions for controlling the audible

and visual feedbacks to the user. An automated power-on self-test checks the operation of the autoinjector 300 and remaining battery charge.

[00133] In various other embodiments, the autoinjector 300 may include other types of needle insertion drives, drug extrusion drives, and means for activating and sequencing the drives. The insertion and extrusion drives, in such embodiments may be implemented as separate and distinct mechanisms or combined into a single mechanism. The insertion and extrusion drives of such embodiments may be powered, without limitation, by motors, mechanical mechanisms (e.g., elastic members such as springs), gas pressure mechanisms, gas releasing mechanism, or any combination thereof. Various transmission mechanisms may be used for transmitting the power to the cassette, to cause injection of the drug. In addition, the activating and sequencing means may comprise various mechanical and electromechanical arrangements, which may be combined with the microprocessor described earlier or used alone. The autoinjector in such embodiments may be constructed to be reusable for executing multiple injections or be designed for a single, disposable use.

[00134] Referring now to FIG. 3, various embodiments of the cassette 600 may comprise an outer housing 610 and an integrated cassette syringe 620, a cassette cap 640, and a cover 650. Such embodiments of the cassette 600 may be used with the above-described autoinjector for injecting a drug. The cassette 600 may be constructed for a single, disposable use.

[00135] In various embodiments, the integrated cassette syringe (ICS) 620 may be constructed for receiving a drug therein and for transporting an injection needle to a

proximal end of the cassette outer housing 610 for insertion into the user. In addition, the ICS 620 may be constructed for interfacing with the outer housing 610 and the autoinjector to carry out needle insertion cycles of the autoinjector apparatus. Unlike previous cassette designs, the ICS 620 may not have separate and discrete sleeve, drug container barrel, and lock cap components. Instead, various embodiments of the ICS 620 may integrate the functionality of these components into a single unitary member. Accordingly, the ICS 620 may allow less expensive and easier manufacturing of the cassette 600 because the ICS 620 requires less components to be manufactured, eliminates the sleeve-to-drug container assembly step or steps, allows tighter control of the mechanical interface between the autoinjector and the structure containing the drug and decreases the likelihood of cassette malfunction due to the reduce number components and assembly operations.

[00136] The cassette cap 640 of the cassette 600, in various embodiments, may be constructed to remove a needle shield 667 covering an injection needle 665 (FIG. 3) of the ICS 620. In various other embodiments, the cassette cap 640 may also be constructed to engage the outer housing 610 of the cassette 600, such that the cassette cap 640 cannot be rotated or twisted, thereby preventing the needle shield 667 from damaging the injection needle 665. The ICS 620 may also be constructed to be moveable within the cassette housing 610 between a needle-concealed position and a needle injection position during an injection cycle of the autoinjector. In various embodiments, the outer housing 610 and the ICS 620 of the cassette 600 may include one or more locking arrangements, which protect the ICS 620 and prevent unintended needle exposure. Various

embodiments of the cassette 600 may include a cassette identification arrangement that interfaces with the autoinjector to communicate the installation of the cassette 600 within the autoinjector and/or information about the cassette 600. Various other embodiments of the cassette 600 may engage with the outer housing such that the cassette cap 640 cannot be removed easily until assembled properly into the autoinjector.

[00137] As shown in FIG. 4, various embodiments of the ICS 620 may comprise a body 661 having proximal and distal ends 622 and 624, respectively. The body 661 of the ICS 620 may define a fluid chamber 662 (FIG. 5B). The fluid chamber 662 may be filled for treatment or prefilled with a predetermined dose of a drug 667 (FIG. 5B). The drug may have a viscosity that depends on the temperature of the product. The injection needle 665 of the ICS 620 may be removably or fixedly disposed at the proximal end 662 of the ICS 620. The injection needle 665 may communicate with the fluid chamber 662 to allow dispensing of the predetermined dose of the drug 667 expelled from the fluid chamber 662 of the ICS 620. The ICS 620 may further comprise a moveable plunger-stopper 664 (FIG. 5B), disposed within the fluid chamber 662 for expelling the predetermined dose of the drug 667 from the fluid chamber 662 so that it may be dispensed through the injection needle 665. The distal end of the body 661 may be open to allow the plunger rod of the extrusion drive of the autoinjector to interface with the plunger 664. The protective needle shield 667 (FIG. 5B) may be made, for example, of a non-rigid material, may be provided for covering the injection needle 665.

[00138] In some embodiments, the drug contained in the fluid chamber 662 of the ICS 620 may have a viscosity of about 19 centipoise, at room temperature (20 to 25 °C [68-77°F]).

[00139] In some embodiments, the drug contained in the fluid chamber 662 of the ICS 620 may have a viscosity ranging between about 1 centipoise and about 320 centipoise, at room temperature.

[00140] In some embodiments, the drug contained in the fluid chamber 662 of the ICS 620 may have a viscosity ranging between about 5 centipoise and about 40 centipoise, at room temperature.

[00141] In some embodiments, the drug contained in the fluid chamber 662 of the ICS 620 may have a viscosity ranging between about 10 centipoise and about 35 centipoise, at room temperature.

[00142] In some embodiments, the drug contained in the fluid chamber 662 of the ICS 620 may have a viscosity ranging between about 15 centipoise and about 30 centipoise, at room temperature.

[00143] In some embodiments, the drug contained in the fluid chamber 662 of the ICS 620 may have a viscosity ranging between about 20 centipoise and about 25 centipoise, at room temperature.

[00144] In some embodiments, the drug contained in the fluid chamber 662 of the ICS 620 may have a viscosity ranging between about 16 centipoise and about 42 centipoise, at room temperature.

[00145] In some embodiments, the drug contained in the fluid chamber 662 of the ICS 620 may have a viscosity ranging between about 1 centipoise and about 29 centipoise, at room temperature.

[00146] Referring collectively to FIGS. 5A-5D, various embodiments of the ICS 620 may further comprise a drive post 668, which allows the ICS 620 to be driven by the insertion drive of the autoinjector during the needle insertion cycle of the autoinjector's injection cycle. The drive post 668 and the insertion drive mechanism are constructed to prevent use of an unauthorized cassette with this configuration. The ICS 620 can move in the outer housing 510 from a distal position (FIG. 5C) to a proximal position (FIG. 5D) and then back to the distal position, via the insertion drive of the autoinjector. When the ICS 620 is in the distal position (needle-concealed position), as shown in FIG. 5C, the injection needle of the ICS 620 is contained within the outer housing 610 of the cassette 600 and concealed from view by the user. When the ICS 620 is in the proximal position (needle-injection position), as shown in FIG. 5D, the injection needle extends out through the aperture 614 in the proximal end wall 610pe of the outer housing 610 of the cassette 600 and the autoinjector (not shown). The cover 650 mentioned earlier closes the open distal end 610de of the outer housing 610 and prevents tampering with the ICS 620 by encasing it within the outer housing 610 of the cassette 600, and also completes the cosmetic appearance of the cassette 600. The ICS 620 may be made from a transparent, rigid material to allow viewing of the injection through the windows 612 in the side walls 610s of the outer housing 610. The material can be a transparent polyethylene, transparent polypropylene, or any other suitable material that is compatible with the desired drug to

be contained in the fluid chamber 662 thereof, In various other embodiments, the ICS 620 may be made from a translucent or opaque material that is compatible with the desired drug to be contained in the fluid chamber 662 thereof. In various further embodiments, the fluid chamber 662 of the ICS 620 may be coated with a material that makes the fluid chamber 662 of the ICS 620 compatible with the desired drug to be contained therein or include a liner that is compatible with the desired drug to be contained therein.

[00147] Referring still to FIGS. 5A-5D, various embodiments of the outer housing 610 of the cassette 600 may comprise a top wall 610t, a bottom wall 610b, side walls 610s connecting the top and bottom walls 610t and 610b, respectively, a front or proximal end wall 610pe and an open rear or distal end 610de. The proximal end wall 610pe of the outer housing 610 may include an aperture 614 (FIGS. 5C and 5D), which is constructed to removably receive the cassette cap 640. The outer housing 610 may be constructed to retain the ICS 620 therein while allowing it to be freely moved within the outer housing 610 in a slidable manner after removal of the cassette cap 640 (FIG. 5C), once properly installed in the autoinjector. Some embodiments of the outer housing 610 may comprise an elongated opening or window 612 in each side wall 610s thereof (FIG. 5A). The outer housing 610 of the cassette 600 may also include a pin 615 (FIG. 5A) or any other suitable mechanical structure that prevents the cassette 600 from being inserted into the cassette door in the wrong direction and/or orientation. An “arrow” icon may be provided on the outer housing 610 (not shown) to indicate the proper direction and orientation for inserting the cassette into the cassette door.

[00148] Referring collectively to FIGS. 6A and 6B, various embodiments of the outer housing 610 of the cassette 600 may comprise a latch mechanism 680 that latches the drive post 668 of the ICS 620 to retain the ICS 620 and, therefore, the injection needle thereof in a needle-concealed position to protect against unintentional needle exposure to the user. As best shown in FIG. 6B, the latch mechanism 680 may include a pair of resilient, opposing latch arms 680a formed in a bottom wall 610b of the outer housing 610, or any other wall of the housing 610 that allows the insertion drive to engage the drive post 668 of the ICS 620. The latch arms 680a may define locking detent slots 680b through which the drive post 668 of the ICS 620 extends.

[00149] During assembly of the cassette 600, the ICS 620 may be inserted into the outer housing 610 so that the drive post 668 of the ICS 620 spreads apart and slides between the latch arms 680a of the outer housing 610 and then enters the detents slots 680b of the latch arms 680a, where it is latched, as shown in FIG. 6A. During the needle-insertion cycle of the autoinjector, the insertion drive moves the distal tab 332d in the proximal direction thereby forcing the latch arms 680a to spread apart and unlatch the drive post 668 of the ICS 620, thereby allowing proximal and distal movement of the unlatched ICS 620 through the cassette outer housing 610, via the drive post 668.

[00150] Once unlatched, the insertion drive can move the ICS 620 from the needle-concealed position to the needle injection position. At the completion of the autoinjector's drug-extrusion cycle, the insertion drive moves the drive post 668 and, therefore, the spent ICS 620 back to the needle-concealed position where the drive post 668 is again latched between the latch arms 680a of the latch mechanism 680.

[00151] Referring now to FIGS. 6A-6D, various other embodiments of the cassette 600 may further comprise an ICS locking arrangement 690, which prevents the ICS 620 from being unintentionally moved within the outer housing 610 from the needle-concealed position. The ICS locking arrangement 690 may replace the latch mechanism 680 or provide redundancy, as in the embodiment shown in FIGS. 6A-6B.

[00152] The addition of the ICS locking arrangement 690 provides redundancy and increases reliability of the latch mechanism 680, for example, to protect a user from harm, protect the cassette contents, or prevent misuse. The ICS locking arrangement 690 provides improved resistance to motion or locking of the ICS 620 during an impact caused, for example, by a free fall, transportation, and/or handling. Further, the ICS locking arrangement 690 improves impact energy absorption to prevent damage to cassette components. Still further, the ICS locking arrangement 690 provides improved retention of the ICS 620 in the needle-concealed position during removal of the needle shield to prevent exposure of the injection needle to the environment outside the outer housing of the cassette 600. In addition, the ICS locking arrangement 690 more accurately and repeatedly places the ICS 620 in a position for interfacing with the autoinjector.

[00153] As shown in FIG. 6C, various embodiments of the ICS locking arrangement may comprise a cantilever lock arm 692, which may be constructed to be unlocked by the insertion drive of the autoinjector. The cantilever lock arm 692 may comprise a hand member 692h and two flexible arm members 692a connecting the hand member 692h to a portion of the ICS 620. The hand member 692h may include one or more locking feet

692, one or more opening cams 292oc, and one or more assembly cams 292ac. In the shown embodiment, the hand member 692h includes two locking feet 692f, one opening cam 692oc, and one assembly cam 692ac. The two locking feet 692 may be spaced apart from one another and be disposed at or marginally adjacent to the leading or proximal edge 692pe of the hand member 692h. The opening cam 692oc may be disposed distal to the locking feet 692f and the assembly cam 692ac may extend proximally from the proximal edge 692pe of the hand member 692h. In the shown embodiment, the cantilever lock arm 692 extends from a marginally distal, bottom portion 620b of the ICS 620, or any other portion of the ICS 620 which is capable of interfacing with the autoinjector's insertion drive.

[00154] As shown in FIG. 6B, various embodiments of the ICS locking arrangement 690 may further comprise one or more locking feet receiving slots 694 provided in the bottom wall 610b of the cassette outer housing 610, or any other wall of the housing 610 that interfaces with the cantilever lock arm 692 of the ICS 620. Each of the one or more locking feet receiving slots 694 may be provided at the ends of a pair of elongated slots 682, which define the latch arms 680a of the latch mechanism 680. Each of the locking feet receiving slots 694 is operative for receiving a corresponding one of the locking feet 692f of the cantilever locking arm 692 to effect locking of the ICS locking arrangement 690.

[00155] As shown in FIG. 6D, various embodiments of the locking foot/feet 692f may comprise proximal and/or distal faces 692fp and 692fd, respectively. The proximal and/or distal faces 692fp, 692fd can be disposed at an angle, which is generally 90 degrees, less

than 90 degrees (angled forward), or greater than 90 degrees (angled back), relative to the wall of the cassette outer housing 610 defining the locking feet receiving slots 694, to facilitate locking of the ICS locking arrangement. The corresponding surfaces of the locking feet receiving slot 694, which engage the proximal and distal faces 692fp, 692fd of the locking feet 692f, may be constructed with angles that are complimentary to the angles of the proximal and distal faces 692fp, 692fd of the locking feet 692f. When the proximal face 692fp of the locking foot 692f is angled back as shown in FIG. 6D, and the ICS 620 is forced proximally against the cantilever lock arm 692, the locking foot 692 may be drawn deeper into receiving slot 692 of the outer cassette housing wall 610b resulting in a bias toward self-locking. Accordingly, the cantilever lock arm 692 can provide a locking force that is high relative to the force required to unlock it. In various other embodiments, the proximal and/or distal faces 692fp, 692fd of the locking feet 692f can be angled forward, which may aid in the assembly of the ICS 620 to the outer housing 610. The flexible arm member(s) 692a of the cantilever lock arm 692 may apply a biasing force, which hold each locking foot 692f in their corresponding receiving slot 694 in the cassette outer housing wall 610b. In other embodiments, the flexible arm member(s) 692a of the cantilever lock arm 692 may not apply a biasing force to hold each locking foot 692f in their corresponding receiving slot 694 in the cassette outer housing wall 610b. The flexible arm members 692a can bend to disengage the locking feet 692f from their receiving slots 694.

[00156] Referring to FIG. 6C, in various embodiments, the opening cam 692oc may be disposed distal to the locking feet 692f so that it bends the cantilever lock arm 692 away

from the cassette outer housing during the insertion cycle of the autoinjector. The bending of the cantilever lock arm 692 disengages the locking foot/feet 692f from the receiving slot(s) 694 in the outer housing and prevents them from contacting and sliding on the outer housing, thereby allowing the ICS 620 to move freely without interference from the cantilever lock arm 692 during the insertion cycle. Various embodiments of the opening cam 692oc may comprise a male-shape member having a distal ramp face 696r that merges with a nose face 696n. The distal ramp face 696r may be angled back (e.g. where the angle of the distal ramp face 696r may be less than 670 degrees and greater than 180 degrees relative to the nose face 696(n)) where it is engaged by the autoinjector's insertion drive, as will be explained further on. In other embodiments, the opening cam 692oc may be configured as a female member.

[00157] Referring still to FIG. 6C, various embodiments of the assembly cam 692ac may extend proximally from the proximal edge 692pe of the hand member 692h so that it can bend the cantilever lock arm 692 away from the cassette outer housing wall 610b as the ICS 620 is inserted into the outer housing 610 during cassette assembly. Various embodiments of the assembly cam 692ac may comprise a male-shape member having a proximal ramp face 698r that merges with a nose face 698n. The proximal ramp face 698r may be angled back (e.g. where the angle of the proximal ramp face 698r may be less than 270 degrees and greater than 180 degrees relative to the nose face 698n) where it contacts the distal edge of the outer housing bottom wall 610b when the ICS 620 is inserted therein during assembly of the cassette 600. In other embodiments, the assembly cam 692ac may be configured as a female member.

[00158] It should be understood that in various other embodiments, the components of the ICS locking arrangement shown as part of the outer housing in FIG. 6B can be provided on the ICS, and the components of the ICS locking arrangement shown as part of the ICS in FIG. 6C, can be provided on the outer housing. In various other embodiments, the number of locking feet, slots, arm members, and/or cams can be more or less than described above. In still various other embodiments, the cantilever lock arm opening cam can be provided on the insertion rack of the autoinjector's insertion drive.

[00159] Referring to FIGS. 7A-7E, various embodiments of the ICS locking arrangement may operate in the following manner during the insertion cycle of the autoinjector. FIG. 7A shows the cantilever lock arm 692 after the autoinjector door containing the cassette has just closed. As shown, the opening cam 692oc of the lock arm 692 may be proximally spaced from a proximal tab 332p of the autoinjector insertion rack 332, such that the ICS locking arrangement is in the locked position (i.e., the locking foot/feet of the cantilever arm are engaged with their corresponding receiving slot(s) in the cassette outer housing wall as shown in FIG. 6D). In addition, when the cassette is loaded and the door is closed, the autoinjector will move the rack 332 so that the drive post 668 is placed between proximal tab 332p and distal tab 332d.

[00160] FIG. 7B shows the operation of the opening cam 692oc of the cantilever lock arm 692 after the insertion cycle of the autoinjector has just commenced. As shown, the proximal tab 332p of the insertion rack 332 has moved proximally to engage the distal ramp face 296r of the opening cam 692oc, which bends the arms 692a of cantilever lock arm 692 and lifts the lock arm 692 toward the ICS 620, thereby disengaging the locking

foot/feet 692f from the receiving slot(s) (not visible) in the outer housing bottom wall 610b. As also shown, the distal tab 332d of the insertion rack 332 has not engaged the drive post 668 of the ICS 620, therefore the drive post 668 is still latched in the latch mechanism of the outer housing bottom wall 610b.

[00161] FIG. 7C shows the operation of the opening cam 692oc of the cantilever lock arm 692 after the proximal tab 332p of the insertion rack 332 has moved further proximally. As shown, the proximal tab 332p of the insertion rack 332 has slid under the operating cam 692oc and is engaged with its nose face 296n, which fully lifts the cantilever lock arm 692 toward the ICS 620 and, therefore, the locking foot/feet 692f, so they disengage from the receiving slots (not visible) in the outer housing bottom wall 610b. Further, the distal tab 332d of the insertion rack 332 has moved proximally and engaged the drive post 668 of the ICS 620 to unlatch it from the latching mechanism.

[00162] FIG. 7D shows the cantilever arm 692 after needle insertion has been completed and the needle retraction has begun. As shown, the proximal tab 332p of the insertion rack 332 has moved distally, thereby sliding off the opening cam 692oc of the lock arm 692 and has engaged the drive post 668 of the ICS 620. Because the proximal tab 332p of the insertion rack no longer engages the opening cam 692oc, and is moving the drive post 668 distally, the arms 692a of the cantilever arm 692 bias it down toward the cassette outer housing wall 610b, thereby allowing the locking foot/feet 692f of the lock arm 692 to slide against the interior surface 610is of cassette outer housing bottom wall 610b while holding the assembly cam 692ac off the interior surface of the cassette outer

housing wall 610b, as the ICS 620 is driven back to the distal, needle-concealed position in the housing 610.

[00163] FIG. 7E shows the cantilever lock arm 692 after the locking foot/feet have lockingly engaged their corresponding receiving slots (not visible), thereby placing the ICS locking arrangement back in the locked position and re-latching the drive post 668 of the ICS 620 in the latch mechanism (not visible).

[00164] Various embodiments of the ICS locking arrangement may operate to facilitate the assembly of the cassette 600, as will now be described with reference to FIGS. 8A and 8B. FIG. 8A shows the cantilever lock arm 692 as the ICS 620 is first being inserted into the distal open end 610de of the outer cassette housing 610 during assembly of the cassette 600. As shown, the cantilever lock arm 692 is in a fully down position with the arms 692a relaxed in neutral, unbiased position, and the angled back proximal ramp surface 298p of the assembly cam 692ac is contacting a lift ramp 610r just inside the distal open end 610de of the cassette outer housing 610.

[00165] FIG. 8B shows the cantilever lock arm 692 after the ICS 620 has been inserted further into the cassette outer housing 610. As shown, the assembly cam 692ac has slid up onto the lift ramp 610r of the cassette outer housing 610 facilitated by the angled back proximal ramp face 298r, thereby bending the arms (not visible) of the lock arm 692 and lifting it toward the ICS 620. The lifting of the cantilever lock arm 692 prevents the locking foot/feet 692f from contacting and thus, interfering with the cassette outer housing 610 as the ICS 620 is fully inserted into cassette outer housing 610.

[00166] In the above-described embodiments, the ICS locking arrangement provides ICS locking when the cantilever lock arm is in an unbiased state. In various other embodiments, the cantilever lock arm of the ICS locking arrangement can be constructed to provide ICS locking in a biased, actuated position. Such embodiments may be desirable, for example, to hold the ICS in a fixed position at a desired time.

[00167] Referring collectively now to FIGS. 9A and 9B, various embodiments of the cassette 600 may further comprise a cassette identification arrangement 410, which may be constructed to communicate information about the cassette 600 to the autoinjector. The cassette identification arrangement 410 may be provided on an exterior surface of the bottom wall 610bs of the cassette outer housing 610 or any other portion of the cassette 600 that is capable of being detected and interpreted by the autoinjector. In some embodiments the information communicated by the cassette identification arrangement 410 may be in the form of a code. Specifically, the cassette identification arrangement 410 may be constructed to generate one of a plurality of different codes, each of which corresponds to certain characteristics of a particular cassette 600. The code allows a suitably adapted autoinjector to determine the type of cassette 600 inserted into the autoinjector, i.e., whether the cassette is a training cassette (i.e., contains no drug in the fluid chamber of the ICS or contains no ICS) or a drug cassette containing the ICS filled for treatment or prefilled with a drug. Further, the code communicated by the cassette identification arrangement 410 can tell the autoinjector what the drug contained in the ICS is and/or other cassette characteristics. Still further, the code may provide information that allows the autoinjector to determine, whether the cassette 600 has been

inserted into the autoinjector in the proper orientation. The autoinjector can be constructed (e.g., with a microprocessor described earlier) to automatically select an appropriate operating program and/or adjust its various operational parameters based on the information communicated by the cassette identification arrangement 410. For example, if the autoinjector detects the insertion of a training cassette, the autoinjector can automatically select a training program to train the user on the use of the autoinjector. In another example, if the autoinjector detects the insertion of a drug cassette that contains a certain drug, the autoinjector can automatically select appropriate operating parameters for injecting that drug, such as injection speed, needle insertion speed, pre and post-injection wait time, needle insertion depth, temperature limits, etc. Available speed ranges may be dependent upon the ICS fluid chamber fill volume and drug characteristics, such as viscosity (at room temperature 20 to 25 °C [68-77°F]). Automatic selection by the autoinjector of its operating parameters eliminates the need for the user to have to determine the appropriate operating parameters for a given drug and then manually input them into the autoinjector.

[00168] As shown in FIG. 10A, various embodiments of the cassette identification arrangement 410 may comprise one or more projections or tabs 410t provided on or in the bottom wall 610b of the cassette outer housing 610. The number and location of the tabs 410t may define the code or at least a portion of the code, which represents information about the cassette 600. As shown in FIG. 8B, the cassette identification arrangement 410 may further comprise a detector 370 that may be provided on or in the cassette support surface 301s of the autoinjector 300 to sense the number and location of

the tabs 410t when the cassette 600 engages the cassette support surface 301s as the autoinjector door 308 is closed. The detector 370 may be communicatively coupled to a microprocessor 350 contained within the autoinjector 300, thereby enabling the autoinjector 300 to detect the tabs 410t and obtain the code representing the information about the cassette 600. In various embodiments, the detector 370 may comprise a plurality of conventional, flat-flush mounted, momentary, push-button switches 372. The switches 372 may be arranged to engage corresponding ones of the tabs 410t. None, some, or all of the switches 372 may be actuated by the tabs 410t of the cassette 600, depending upon the arrangement of tabs 410t and the code they represent, when the cassette 600 is supported on the cassette support surface 301s of the autoinjector 300. Therefore, the code defined by the tabs 410t and the information that the code represents about the cassette 600 can be communicated to the microprocessor 350 of the autoinjector 300 for deciphering.

[00169] The tabs 410t can be differentiated from each other by their individual location on or in the cassette housing 610. By utilizing the presence or absence of tabs 410t, multiple combination codes can be created such that each code identifies a particular cassette 600 or characteristics of the cassette. Although the cassette identification arrangement 410 shown in the embodiment of FIG. 8A comprises three tabs 410t, various other embodiments of the cassette identification arrangement 410 may comprise more or less than three tabs in order to increase or decrease the number of programming codes available. In the embodiment shown in FIG. 8A, the presence and/or absence of one or more of the three tabs 410t provides up to eight (8) different possible cassette

identification codes, which can be detected and deciphered by the autoinjector 300. As mentioned earlier, the information represented by each code can be used to define one of a plurality of programming instructions for the autoinjector 300 and/or to communicate secondary information to the autoinjector 300, such as, but not limited to, verifying that the cassette 600 is an authorized OEM device, and/or verifying the proper insertion of the cassette 600 into the autoinjector 300.

[00170] Various other embodiments of the tabs 410t of the cassette identification arrangement 410 may have different heights. In such embodiments, the autoinjector's push-button switches 372 and microprocessor 350 can be constructed to allow them to differentiate between tabs 410t of the different heights, for example, but not limitation, by how far in a button (not shown) of the push-button switch 372 is depressed into the switch 370 by the tab 410t. Embodiments comprising both short and tall tabs 410t can provide each possible tab location on the cassette outer housing 610 with one of three possible states, e.g.:

State 1: no tab present
State 2: short tab present
State 3: tall tab present

If the cassette identification arrangement 410 comprises, for example, up to three tabs 410t where each such tab 410t is short or tall, the autoinjector could detect up to twenty-seven (27) different tab states to increase the number of possible codes.

[00171] As shown in FIG. 11A various other embodiments of the cassette identification arrangement 410 may comprise one or more indentations 410i provided in the bottom wall 610b of the outer housing 610 of the cassette 600. As shown in FIG. 11B, in such

embodiments of the cassette identification arrangement 410, the detector 370 of the autoinjector 300 may comprise a plurality of conventional pogo-pin switches 374n to detect the presence or absence of the indentations 410i. The coding, detection, deciphering, and parameter control functions are generally the same as described above with respect to the tabs 410t.

[00172] Various other embodiments of the indentations 410i of the cassette identification arrangement 410 can have different depths. In such embodiments, the autoinjector's pogo-pin switches 374 and microprocessor 350 can be constructed to allow them to differentiate between indentations of the different depths by how far in a pin 374p of the pogo-pin switch 374 is depressed into the switch by the indentation, to increase the number of possible different codes.

[00173] In various further embodiments, the cassette identification arrangement 410 of the cassette may comprise a combination of the above-described tabs 410t and indentations 410i. The autoinjector, in such embodiments may then be constructed to include corresponding push-button and pogo-pin switches 372, 374.

[00174] The codes defined by the tabs 410t and/or indentations 410i of the cassette identification arrangement 410 communicate information about the cassette 600 to the autoinjector 300, which can then use this information to automatically adjust its programming, etc. For example, but not limitation, one tab 410t or indentation 410i may define a code that indicates that the cassette 600 contains an ICS filled with 1 mL of a drug and two tabs 410t or indentations 410i may define a code that indicates that the cassette 600 contains an ICS filled with 0.5 mL of a drug. An additional tab 410t or

indentation 410i in the same cassette identification arrangement may provide a code that identifies the drug and/or characteristics of the drug. In another example, the code for a training cassette may comprise the presence of all the possible tabs 410t and/or indentations 410i. In a further example, the absence of one of the tabs 410t and/or indentations 410i may define a code for a certain drug. Different combinations of tabs 410t and/or indentations 410i can be used to differentiate between different drugs or to indicate the absence of the ICS, for the purpose of controlling the autoinjector parameters.

[00175] As shown in FIG. 12A, various other embodiments of the cassette identification arrangement 410 may comprise one or more flat, electrically conductive traces or strips 410s provided on the outer surface of the bottom wall 610b of the outer housing 610. In such embodiments of the cassette identification arrangement 410, as shown in FIG. 12B, the detector 370 of the autoinjector 300 can be constructed with pogo-pin connectors 376 that contact the conductive strips 410s when the cassette 600 is inserted into the autoinjector 300. The conductive strips 410s can be molded into the exterior surface of the cassette's bottom wall 610b, screen-printed onto that surface, or comprise a separate component, such as a flex-cable material, affixed to that surface with pressure sensitive adhesive or any other suitable means.

[00176] In various embodiments, the one or more conductive strips 410s can be operative as a cassette presence sensor, where each of the conductive strip 410s may operate to close an electrical circuit of the detector 370 between two pogo-pin connectors 376 when the cassette 600 is mounted on the support surface 301s of the autoinjector 300.

In some embodiments, the conductive strips 410s can be constructed to form a straight path (e.g., as show in FIG. 12A) to connect inline arranged pogo-pin connectors, or constructed to form a tortuous path to connect pogo-pin connectors that require jagged or tortuous path to connect. In other embodiments, the conductive strips 410s can be constructed to have a specific electrical resistance, capacitance, inductance, etc, which would define a code capable of detection via the electrical circuit of the detector 370, which in turn would communicate the code and, therefore, the associated cassette information to the microprocessor 350 of autoinjector 300, such as drug, fill volume, injection speed, etc.

[00177] As further shown in FIGS. 12A and 12B, various embodiments of the cassette identification arrangement 410 may combine the one or more conductive strips 410s with the one or more tabs 410t (and/or indentions 410i) described earlier. In such embodiments of the cassette identification arrangement 410, the detector 370 and microprocessor 350 of the autoinjector 300 can be constructed to have the appropriate push-button switches 372 and pogo-pin switches 374 (and/or pogo-pin connectors 376). It should be understood, however, that the cassette identification arrangement 410 may only comprise the one or more conductive strips 410s.

[00178] As shown in FIG. 13A, various other embodiments of the cassette identification arrangement 410 may comprise one or more magnets 410m embedded in the bottom wall 610b of the cassette outer housing 610 or provided on the exterior or interior surface of the bottom wall 610b of the cassette outer housing 610. In such embodiments of the cassette identification arrangement 410, the detector 370 of the autoinjector 300 (e.g.,

FIGS. 10B-12B) can be constructed as a Magnetic Resonance (MR) sensor or other magnetic-sensing sensor that is activated by the one or more magnets when the cassette 600 is inserted into the autoinjector 300. The one or more magnets 410m should be of sufficient strength to activate the MR sensor. The magnet and MR sensor arrangement can be used alone or combined with any of the other previously described cassette identification arrangements 410.

[00179] As shown in FIG. 13B, various further embodiments of the cassette identification arrangement 410 may comprise a radio-frequency (RF) electromagnetic field (EMF) emitting device 410rf, such as RF identification (RFID) chip. The detector 370 of the autoinjector 300 (e.g., FIGS. 10B-12B) can be constructed as an EMF receiving device, such as an RFID chip reader, that is activated by the RF EMF device 410rf when the cassette 600 is inserted into the autoinjector 300. The RF EMF device 410rf can be molded into or attached to the bottom wall 610b of cassette outer housing 610 or any other suitable portion of the cassette 600 that allows the RF EMF device 410rf to communicate with the detector 370 of the autoinjector 300.

[00180] As shown in FIG. 13C, various other embodiments of the cassette identification arrangement 410 may comprise one or more optical machine-readable (OMR) identifiers 410o. The one or more OMR identifiers 410o may comprise, without limitation, one or more bar-code labels, one or more color-coded labels, one or more other suitable OMR identifiers, or any combination thereof. OMR identifiers 410o embodied as bar-code labels may comprise, but are not limited to, 1-dimensional and 2-dimensional matrix codes. The detector 370 of the autoinjector 300 (e.g., FIGS. 10B-12B), in such

embodiments, can be constructed as an optical scanner. The OMR identifier 410o may be provided on the exterior surface of the bottom wall 610b of the cassette's outer housing 610 or any other suitable portion or area of the cassette 600 that is capable of interfacing with the detector 370 of the autoinjector 300.

[00181] The RF EMF device 410rf and one or more OMR identifier labels 410o can be applied to the cassette before or after it is assembled with the prefilled ICS. This allows the RF EMF device 410rf and/or one or more OMR identifier labels 410o to include additional information or programming, such as the date of manufacture, location of manufacture, expiration date of drug, drug temperature stabilization time, and autoinjector verification that the cassette 600 and drug are original equipment manufacturer (OEM) components.

[00182] As shown in FIG. 13D, various other embodiments of the cassette identification arrangement 410 may comprise the one or more magnets 410m, the RF EMF emitter device 410rf, the one or more OMR identifiers 410o and the tabs 410t (and/or indentations 410i) described earlier, each defining a portion of the code provided by the arrangement 410. In such embodiments of the cassette identification arrangement, the detector 370 of the autoinjector can be constructed with the appropriate switches, sensors, receivers, and/or scanners (e.g. FIGS. 10B-12B) to detect the corresponding cassette elements of the cassette identification arrangement 410.

[00183] The cassette identification arrangement 410 may also be used to control aspects of the cassette manufacturing and packaging processes. FIG. 14 shows a flow chart which shows an example of how a single production or manufacturing line may be used to

assemble different product lines using the cassette identification arrangement to control the assembly of the prefilled ICSs (containing a range of different drug and/or fill levels) and then route the assembled cassettes to the appropriate packaging stations. Block 500 represents a single manufacturing line which may comprise a computer controlled manufacturing system and blocks 502, 504, 506, and 508 may represent four unassembled cassettes in the line each having its own cassette identification arrangement configuration (1, 2, 3, or 4) of tabs, indentations, etc. Each of the unassembled cassettes 502, 504, 506, and 508 are to be assembled with an ICS having one of four different drugs (A, B, C, or D) that matches the cassette identification arrangement configuration (cassette ID configuration). In the embodiment shown in FIG 14, the manufacturing system may be programmed such that cassette ID configuration 1 identifies drug C, cassette ID configuration 2 identifies drug B, cassette ID configuration 3 identifies drug D, and cassette ID configuration identifies drug A.

[00184] In block 510, the manufacturing system of the line identifies the cassette ID configuration of each of the unassembled cassettes 502, 504, 506, and 508. For each of the unassembled cassettes 502, 504, 506, and 508, the system in block 512 selects a matching one of the ICSs 514, 516, 518, and 518 prefilled with drugs A, B, C, and D, respectively, using the identified cassette ID and assembles it with the unassembled cassette 502, 504, 506, and 508. Therefore, in block 512, unassembled cassette 502 with cassette ID configuration 1 may be assembled with ICS 518 prefilled with drug C to generate assembled cassette 522, unassembled cassette 504 with cassette ID configuration 2 may be assembled with ICS 516 prefilled with drug B to generate

assembled cassette 524, unassembled cassette 506 with cassette ID configuration 3 may be assembled with ICS 520 prefilled with drug D to generate assembled cassette 526, and unassembled cassette 508 with cassette ID configuration 4 may be assembled with ICS 514 prefilled with drug A to generate assembled cassette 528.

[00185] In block 530, the manufacturing system sorts assembled cassettes 522, 524, 526, and 528 using their cassette ID configurations 1, 2, 3, and 4, respectively, and places them in packages 532, 534, 536, and 538 for drugs C, B, D, and A, respectively.

[00186] FIGS. 15A and 15B collectively show an embodiment of the cassette cap 640 of the cassette 600. The cassette cap 640 may function as a needle shield remover by engaging and gripping the needle shield 667 of the ICS 620 in a manner that allows the user to remove the needle shield 667 from the ICS 620, prior to operating the autoinjector. Further, the cassette cap 640 may lockingly engage the cassette outer housing 610 so that it cannot be easily withdrawn from the cassette 600 unless the cassette 600 is properly installed in the autoinjector. This prevents the needle shield 667 from being inadvertently removed from the ICS 620 when, for example, the cassette 600 is handled by the user. In addition, the presence of the shield remover 640 provides an indication that the cassette 600 has not been previously used or tampered with.

[00187] As shown in FIG. 15A, various embodiments of the cassette cap 640 may comprise a hollow body 241 formed by a generally cylindrical portion 241c and a generally rectangular, key portion (key) 241k disposed lateral to and merging with the cylindrical portion 241c. The cassette cap 640 may further comprise a tapered portion 242 that extends proximally from the cylindrical portion 241c of the body 241. An

outwardly extending flange 244 terminates the tapered portion 242 and closes the cassette cap 640 at a proximal end 240pe thereof. The flange 244 may function as a finger gripping member that allows a user to grip and pull the cassette cap 640 out of the cassette 600 to remove the needle shield 667 from the ICS 620 after the cassette has been properly installed in the autoinjector. To facilitate gripping and pulling of the cassette cap 640, the flange 244 may have a generally oblong shape which is easily gripped by users with dexterity problems. An “arrow” icon 243 may be provided on the tapered portion 242 of the cassette cap 640 to indicate the proper direction and orientation for inserting the cassette into the cassette door of the autoinjector.

[00188] The cylindrical portion 241c and the key 241k are open at a distal end 240de of the cassette cap 640. The open distal end of the cylindrical portion 241c may be formed by a plurality of flexible, outwardly flared tongues 245t that define an expandable collar structure 245, which merges with the open distal end of the key 241k. The expandable collar structure 245 prevents the cassette cap 640 from being reinserted into the cassette as shown in FIG. 15C. The cylindrical portion 241c may include flexible members 241cf that allow the cylindrical portion 241c to accept a metal insert 246 (FIG. 15B) that help engage and grip needle shield.

[00189] Referring again to FIG. 15A, the key 241k may include an end wall 241ke that closes the proximal end thereof. The end wall 241ke may extend slightly beyond a bottom wall 241kb of the key 241k, thereby forming a stop 241ks.

[00190] As shown in FIG. 16A, the proximal end wall 610pe of the cassette outer housing 610 may include a slot 614s that extends from the aperture 614 toward the

bottom wall 610b of the housing 610. The slot 614s may be sized and shaped so that it mates with the key 241k of the cassette cap 640 with the leading edge 610le of the outer housing bottom wall 610b engaging the stop 241ks of the cassette cap key 241k, when the cassette cap 640 is in the cassette 600, thereby forming a cassette cap anti-rotation structure. As shown in FIG. 16B, the anti-rotation structure formed by the slot 614s and key 241k prevents the cassette cap 640 from being rotated or twisted around its longitudinal axis Z when the cassette cap 640 is in the cassette 600 (prior to needle shield removal) and thus, prevents rotation of the needle shield. This is important because rotation of the needle shield can result in cutting or coring of the needle shield by the sharp end of the injection needle. Accordingly, the anti-rotation structure protects the needle shield from being damaged by the injection needle when the cassette cap 640 is in the cassette 600. The stop 241ks of the cassette cap key 241k can limit the cassette cap 640 from being pushed along the longitudinal axis Z distal towards the syringe, which also prevents the injection needle from penetrating and thereby damaging the needle shield.

[00191] Referring again to FIGS. 15A-15C, the bottom wall 241kb of the key 241k may define a cassette cap locking structure formed by a distally extending cantilever spring member 247 and a downwardly extending projection or lock tab 248 provided at the free end of the spring member 247. The lock tab 248 may comprise an undercut formed by an inclined surface 248s that defines an acute angle θ with the bottom surface 247b of the spring member 247.

[00192] As shown in FIGS. 15B and 15C, a metal tubular insert 246 may be provided on an interior surface 241i of the cylindrical body portion 241c for gripping the outer surface of the needle shield 667 so that it can be withdrawn with the cassette cap 640. In various other embodiments, the metal tubular insert 246 may be replaced by gripping teeth (not shown) formed on the interior surface 241i of the cylindrical body portion 241c. The cassette cap 640 may extend through the aperture 614 formed in the proximal end wall 610pe of the outer housing 610 of the cassette 600, which locates the flange or gripping member 244 of the cassette cap 640 outside of the cassette 600. The locking structure of the cassette cap 640, formed by the cantilever spring member 247 and lock tab 248, may be disposed within the marginal proximal portion of the outer cassette housing 610, such that it locks the cassette cap 640 in place in the cassette 600, in a tamper-resistant manner. Locking may be facilitated by the cantilever spring member 247, which forces or biases the tab 248 into a lock aperture 610a (FIG. 15C) that may be defined in the bottom wall 610b of the outer housing 610 of the cassette 600. The lock tab 248 engaged with the lock aperture 610a of the cassette outer housing 610, substantially prevents withdrawal of the cassette cap 640 from the cassette 600, unless the cassette 600 is properly installed within the autoinjector. Because the cassette cap 640 is attached to the needle shield 667 and locked within the cassette 600, the needle shield 667 may not be inadvertently removed from the syringe 260, prior to proper installation in the autoinjector. The presence of the cassette cap 640 also provides an indication that the cassette 600 has not been previously used or tampered with.

[00193] As shown in FIG. 15C, once the cassette cap 640 has been removed, the tongues 245t of the expandable partial collar structure 245 expand or spread outwardly to prevent the cassette cap 640 and the needle shield 667 attached thereto (not visible) from being re-inserted into the aperture 614 in the proximal end wall 610pe of the cassette outer housing 610. The absence of the cassette cap 640, therefore, provides an indication to the user that the cassette 600 has already been used or has been tampered with.

[00194] FIG. 15D shows the cassette 600 after the access door of the autoinjector (both not visible) has been closed. As shown, the cassette 600 is mounted on the support surface 301s of the autoinjector chassis 301. The chassis 301 may include a pin switch P, which is coupled to the microprocessor of the autoinjector in a manner that allows signals or data to be communicated to the microprocessor. Closure of the autoinjector cassette door may cause the pin switch P to press on the lock tab 248 (if certain conditions regarding the cassette are met as will be explained further on), thereby bending the cantilever spring member 247 up, and releasing it from the lock tab 248 from the lock tab receiving aperture 610a (FIG. 15C) in the bottom wall 610B of the outer cassette housing 610, thereby unlocking the cassette cap 640 from the cassette 600. With the locking tab 248 unlocked, a user can now grasp the gripping member 244 of the cassette cap 640 and withdraw it from the cassette 600 and the autoinjector, thereby removing the needle shield 667 and uncovering the injection needle 665. When the pin switch P engages the lock tab 248, it may also signal the autoinjector's microprocessor so that the autoinjector knows that the cassette 600 has been installed.

[00195] As shown in FIG. 17A, various embodiments of the key 241k may further include first and second pairs of arms or tabs 270 and 272, respectively extending out from the exterior side wall surfaces 241ksw of the key 241k. As shown in FIG. 17B, the first pair of arms 270 may be disposed at or near the proximal end 241kpe of the key 241 and the second pair of arms may be disposed at or near the distal end of the key 241kde. The arms on each side of the key 241k may be arranged in an inline manner, as shown in FIG. 17B.

[00196] Referring collectively to FIGS. 18A and 18B, various embodiments of the cassette outer housing 610 may comprise a pair of ribs 674 provided on the interior side wall surfaces 610is thereof. As shown in FIG. 18B, the key receiving slot 614s formed in the proximal end wall 610pe of the outer housing 610 may include slot extensions 614sx that allow the first and second pairs of tabs 270 and 271, respectively to pass through the proximal end wall 610pe of the cassette outer housing 610 when the cassette cap 640 is removed from the cassette 600. The slot extensions 614sx may be disposed immediately below the ribs 674 so that the tabs 270, 271 engage the ribs 271, as will be explained below in further detail.

[00197] As shown collectively in FIGS. 19A and 19B, the ribs 674 may extend longitudinally from the proximal end wall 610pe of the cassette outer housing 610 and have a length L which allows the ribs 674 to engage both pairs of tabs 270, 272 when the cassette cap 640 is disposed in the cassette outer housing 600. As shown in FIG. 19A, the upper surfaces of the key tabs 270, 272 may engage the lower surfaces of the outer housing ribs 674 when the cassette key 241k is disposed in the cassette outer housing

610, thereby forming a cassette cap anti-bending structure. In other embodiments, the key tabs 270, 272 and ribs 674 may also be constructed so that the lower surfaces of the key tabs 270, 272 engage the upper surfaces of the outer housing ribs 674.

[00198] As shown in FIG. 20, the anti-bending structure prevents the cassette cap 640 from being flexed or bent in the vertical axis (X-axis) and horizontal axis (Y-Axis.). The flexing or bending in the vertical or horizontal axis may bend or damage the injection needle of the ICS, therefore, the anti-bending structure prevents such bending of or damage to the injection needle.

[00199] Referring now to FIG. 21, the autoinjector system 100 may be constructed to force users to execute the steps of the injection process in a safe and reliable order, which simplifies the operation of the autoinjector system 100. By controlling the sequence of actions performed by the user, the injection process can be made more reliable.

Accordingly, in various embodiments, the autoinjector system 100 is constructed to force or cause the user to perform the following steps in sequence: inserting the cassette 600 into the autoinjector 300; preparing the autoinjector system 100 for injection; placing the autoinjector 300 on skin and starting the injection process; and disposing of the used cassette 600 and storing the autoinjector 300 for future use. Performing these steps in sequence ensures autoinjector system reliability and user safety.

[00200] As described above, various embodiments of the autoinjector 300 and cassette 600 can comprise mechanical, electromechanical, and other structures that provide feedback signals to the microprocessor (not shown) of the autoinjector 300. The microprocessor may be programmed with instructions (e.g., algorithm), which when

executed thereby, allow these signals to be evaluated by the microprocessor in order to enable the autoinjector 300 to move through discrete logic “states” where the autoinjector system 100 is in a known configuration.

[00201] Referring now to FIG. 21 in conjunction with the flow chart of FIG. 22, an embodiment of the decision logic for controlling the various functions of the autoinjector system 100, will be described. The decision logic forces the user to perform, in sequence, the steps of: inserting the cassette 600 into the autoinjector 300; preparing the autoinjector system 100 for injection; placing the autoinjector 300 on skin and starting the injection process; and disposing of the used cassette 600 and storing the autoinjector 300 for future use.

Insertion of the Cassette into the Autoinjector

[00202] In block 500 (Off, Door Close, Cassette Out), prior to use, the autoinjector system 100 may be in a state where the only button that is active is the one to initiate cassette door opening (eject button) and all other buttons are deactivated. This may force the autoinjector system 100 only to respond to a single user action of pressing the eject button at arrow 502 and all other actions may be ignored or may not be possible. Once the cassette door 308 of the autoinjector 300 opens in block 504, the user may insert the cassette 600 into the door. In various embodiments, the autoinjector 300 and cassette 600 may comprise certain structures that allow the insertion of the cassette 600 only in the correct orientation, such as one or more pins 615 on the cassette 600, which interacts with a corresponding slot or pin 216 in the cassette door 308 of the autoinjector 300, as shown in FIG. 22, to allow insertion only in the correct orientation and prevent insertion in

orientations about the insertion axis (z axis). The cassette 600 may also have a tapered shape or other structure, which matches with the cassette door 308 of the autoinjector 300 to prevent rotation about the x axis.

[00203] While waiting for the user to insert the cassette 600, the autoinjector 300 may transition to a known state in block 506 (Wait for Door Close A) where all other actions from the user with the exception of closing the door may be ignored such as pressing of start and eject buttons, etc.

[00204] This may force the user to either close the cassette door 308 with a cassette 600 at arrow 508 to proceed with the injection process, or close the door at arrow 510 without a cassette 600 as the autoinjector system 100 moves to the previous known state of block 500. If the user chooses not to perform the required action, the autoinjector system 100 continues to remain in the same state in block 512 (Door Open).

[00205] If the user inserts a cassette 600 of either an unknown configuration and/or a used cassette 600 into the cassette door 308 and closes at arrow 508, the autoinjector system 100 detects this state using, for example the cassette identification arrangement described earlier, and does not allow the process to continue to the next state in block 516. Accordingly, the user is forced to insert a valid cassette 600 (known configuration and unused) in the correct orientation into the autoinjector 300 in order to proceed.

Preparing the Autoinjector System for Injection

[00206] Once the cassette door 308 of the autoinjector 300 has been closed with a valid cassette 600, the autoinjector system 100 may move to an active state in block 514 (Device Wakeup). The next step by the user in this configuration is to remove the cassette

cap 640 at arrow 518. As described above, the autoinjector system 100, in various embodiments, may be capable of detecting the presence or absence of the cassette cap 640, and may also be capable of monitoring a transition in the state of a cassette cap remover switch that may be provided in the autoinjector 300 from presence to absence. This transition may be used by the autoinjector system 100 to detect the removal of the cassette cap 640 by the user and moving the autoinjector system 100 to the state of block 520 (Cap Off). This may force the user to either remove the cassette cap 640 at arrow 518 to proceed with the injection process, or abort the process by pressing the eject button at arrow 522, which opens the door at block 524 (Open Door A) to allow the cassette 600 to be removed and returns the autoinjector system 100 to the last known state at block 506 (Wait for Door Close A). If the user chooses not to perform the required actions, the autoinjector system 100 continues to remain in the same state at block 515 (Cassette in Sleep).

[00207] To ensure that these actions are truly intended by the user and not accidentally initiated, the cassette cap removal and abort process may require a committed action. Cassette cap removal may have a minimum pull off force and pull off direction such that a user or patient needs to purposefully hold and pull off the cassette cap in order to remove the needle shield. In other words, there is minimum removal force and direction for removal (pulling straight down) such that the cassette cap cannot be accidentally removed by normal handling. For the abort process, this may be achieved by requiring the user to press and hold the eject button for a set time period at arrow 522 before the eject process is initiated.

Place on Skin and Start the Injection Process

[00208] With a valid cassette 600 inserted into the autoinjector 300 , the cassette cap 640 removed, and the autoinjector system 100 in the state of block 520 (Cap Off), the user may place the autoinjector 300 on the injection site (skin) at arrow 526. As described above, various embodiments of the autoinjector 300 may include a skin sensor to allow the autoinjector system 100 to detect proximity to the injection site. Therefore, the autoinjector system 100 can allow the user to proceed with the injection process only when the injection site is detected. As described above, the microprocessor may be programmed with instructions, which allow the injection site presence to be indicated only when it detects a continuous positive signal from the skin sensor. This ensures that the user is committed to the process and has a stable contact with the injection site in order to move to the state of block 534 (Ready to Inject). As described above, various embodiments of the cassette cap 640 may have a structure that does not allow it to be reinserted into the cassette 600 once removed, thereby preventing the user from reinserting the cassette cap 640 and moving back to the prior state of block 514 (Device Wakeup).

[00209] This forces the user to either hold the autoinjector 300 with a stable contact at the injection site in order to proceed with the injection process at block 534 or abort the process by pressing the eject button at arrow 522, which opens the door at block 524 to allow cassette removal and returns the autoinjector system 100 to the last known state after door opening at block 506 (Wait for Door Close A). If no stable signal is obtained at arrow 530, the autoinjector system 100 may continue to remain in the state of block 520

(Cap Off). If injection site contact is lost at any point in time, the autoinjector system 100 may return to the state of block 520 (Cap Off).

[00210] Once the above conditions are met and the autoinjector system 100 is in the state of block 526 (Ready to Inject), the user in this configuration activates the injection at arrow 532. Once initiated, the autoinjector system 100 may reconfirm the cassette identification arrangement, skin sensor and the like, to confirm its expected configuration and once confirmed, it may automatically execute in sequence, needle injection and drug extrusion in block 536 (Injection Progress), (Needle Retraction) in block 538, (Injection Complete) in block 540, (Plunger Retraction) in block 542 and (Automatic Door Open) in block 544, to allow for cassette removal and disposal at block 548 (Wait for Door Close B). Immediately after injection initiation by the user, all other buttons and switches on the autoinjector 300 may be disabled to prevent unintentional activation of the buttons by the user during the injection process.

[00211] During the injection process, the autoinjector system 100 may continuously monitor the status of the injection site contact in block 564. The process may be terminated if at any point in time there is a loss in injection site contact for a predetermined time (e.g., the user intentionally removes the autoinjector 300 from the injection site or adjusts the position in such a way that a reliable delivery process cannot be ensured). In addition, autoinjector system 100 may check for various mechanical errors during the injection process in block 560 (Needle Jam Error), block 562 (Plunger Jam Error), block 566 (Needle Retraction Error), block 568 (Device Failure), and block 570 (Cassette Error).

Disposal of the Used Cassette and Storing the Autoinjector for Future Use

[00212] Once the injection process is complete and the autoinjector system 100 is in the state of block 548 (Wait for Door Close B), the user is expected to remove and disposed of the used cassette 600 and close the cassette door 308 of the autoinjector 300 at arrow 550. In order to force the user to do this, the autoinjector system 100 logic may be configured so that the user cannot close the cassette door 308 of the autoinjector 300 with a cassette 600 in the state of block 548. If door closure is attempted at arrow 552, the autoinjector system 100 may detect the cassette 600 and immediately reopen the door at block 554. This may force the user to close the cassette door 308 without a cassette 600 in order for the autoinjector system 100 to move to the state of block 550 (Off) and store the autoinjector 300 for future use. If the user chooses not to perform the required action, the autoinjector system 100 may continues to remain in the same state in block 556 (Door Open Sleep B).

[00213] The ICS of the cassette may be filled for treatment or prefilled with a pharmaceutical product, such as an erythropoiesis stimulating agent (ESA), which may be in a liquid or a lyophilized form. An ESA can be an erythropoiesis stimulating protein. As used herein, “erythropoiesis stimulating protein” means any protein that directly or indirectly causes activation of the erythropoietin receptor, for example, by binding to and causing dimerization of the receptor. Erythropoiesis stimulating proteins comprise erythropoietin and variants, analogs, or derivatives thereof that bind to and activate erythropoietin receptor; antibodies that bind to erythropoietin receptor and activate the receptor; or peptides that bind to and activate erythropoietin receptor.

Erythropoiesis stimulating proteins comprise, but are not limited to, epoetin alfa, epoetin beta, epoetin delta, epoetin omega, epoetin iota, epoetin zeta, and analogs thereof, pegylated erythropoietin, carbamylated erythropoietin, mimetic peptides (comprising EMP1/Hematide), and mimetic antibodies. Exemplary erythropoiesis stimulating proteins comprise erythropoietin, darbepoetin, erythropoietin agonist variants, and peptides or antibodies that bind and activate erythropoietin receptor.

[00214] The term erythropoiesis stimulating protein comprises without limitation Epogen® (epoetin alfa), Aranesp® (darbepoetin alfa), Dynepo® (epoetin delta), Mircera® (methoxy polyethylene glycol-epoetin beta), Hematide™ (peginesatide), MRK-2578, INS-22, Retacrit® (epoetin zeta), Neorecormon® (epoetin beta), Silapo™ (epoetin zeta), Binocrit® (epoetin alfa), epoetin alfa Hexal, Abseamed™ (epoetin alfa), Ratioepo™ (epoetin theta), Eporatio™ (epoetin theta), Biopoin™ (epoetin theta), epoetin alfa, epoetin beta, epoetin zeta, epoetin theta, and epoetin delta.

[00215] The term erythropoiesis stimulating protein further comprises the molecules or variants or analogs as disclosed in the following patents or patent applications, which are each herein incorporated by reference in its entirety: U.S. Pat. Nos. 4,703,008; 5,441,868; 5,547,933; 5,618,698; 5,621,080; 5,756,349; 5,767,078; 5,773,569; 5,830,851; 5,856,298; 5,955,422; 5,986,047; 6,030,086; 6,310,078; 6,391,633; 6,583,272; 6,586,398; 6,900,292; 6,750,369; 7,030,226; 7,084,245; and 7,271,689; U.S. Publ. Nos. 2002/0155998; 2003/0077753; 2003/0082749; 2003/0143202; 2003/0215444; 2004/0009902; 2004/0071694; 2004/0091961; 2004/0143857; 2004/0157293; 2004/0175379; 2004/0175824; 2004/0229318; 2004/0248815; 2004/0266690; 2005/0019914;

2005/0026834; 2005/0096461; 2005/0107297; 2005/0107591; 2005/0124045;
2005/0124564; 2005/0137329; 2005/0142642; 2005/0143292; 2005/0153879;
2005/0158822; 2005/0158832; 2005/0170457; 2005/0181359; 2005/0181482;
2005/0192211; 2005/0202538; 2005/0227289; 2005/0244409; 2006/0040858;
2006/0088906; and 2006/0111279; and PCT Publ. Nos. WO 91/05867; WO 95/05465;
WO 96/40772; WO 99/66054; WO 00/24893; WO 01/81405; WO 00/61637; WO
01/36489; WO 02/014356; WO 02/19963; WO 02/20034; WO 02/49673; WO
02/085940; WO 03/029291; WO 2003/055526; WO 2003/084477; WO 2003/094858;
WO 2004/002417; WO 2004/002424; WO 2004/009627; WO 2004/024761; WO
2004/033651; WO 2004/035603; WO 2004/043382; WO 2004/101600; WO
2004/101606; WO 2004/101611; WO 2004/106373; WO 2004/018667; WO
2005/001025; WO 2005/001136; WO 2005/021579; WO 2005/025606; WO
2005/032460; WO 2005/051327; WO 2005/063808; WO 2005/063809; WO
2005/070451; WO 2005/081687; WO 2005/084711; WO 2005/103076; WO
2005/100403; WO 2005/092369; WO 2006/50959; WO 2006/02646; WO 2006/29094;
and WO 2007/136752.

[00216] Alternatively, the ICS of the cassette may also be filled for treatment or be prefilled with other products. Examples of other pharmaceutical products that may be used may comprise, but are not limited to, therapeutics such as a biological (e.g., Enbrel® (etanercept, TNF-receptor /Fc fusion protein, TNF blocker), anti-TNF antibodies such as adalimumab, infliximab, certolizumab pegol, and golimumab; anti-IL-12 antibodies such as ustekinumab, other Fc fusions such as CTL4A:Fc also known as abacept; Neulasta®

(pegylated filgrastim, pegylated G-CSF, pegylated hu-met-G-CSF), Neupogen® (filgrastim , G-CSF, hu-met-G-CSF), Nplate® (romiplostim), Vectibix® (panitumumab), Sensipar® (cinacalcet), and Xgeva® and Prolia® (each denosamab, AMG 162); as well as other small molecule drugs, a therapeutic antibodies, a polypeptides, proteins or other chemicals, such as an iron (e.g., ferumoxytol, iron dextrans, ferric glyconate, and iron sucrose). The therapeutic may be in liquid form, or reconstituted from lyophilized form.

[00217] Among particular illustrative proteins that can be used in the ICS of the cassette are antibodies, peptibodies, pegylated proteins, polypeptides, and related proteins (comprising fusions, fragments, analogs, variants or derivatives thereof) for example, proteins that specifically bind to: OPGL; IL-4 receptor; interleukin 1-receptor 1 (“IL1-R1”); angiopoietin-2 (Ang2); NGF; CD22; IGF-1; B-7 related protein 1 (B7RP1); IL-15; IL-17 Receptor A; IFN gamma; TALL-1; parathyroid hormone (“PTH”); thrombopoietin receptor (“TPO-R”); hepatocyte growth factor (“HGF”); TRAIL-R2; Activin A; TGF-beta; amyloid-beta; c-Kit; $\alpha 4\beta 7$: and IL-23 or one of its subunits; and other therapeutic proteins.

[00218] The ICS of the cassette may also be filled for treatment or be prefilled with OPGL specific antibodies, peptibodies, and related proteins, and the like (also referred to as RANKL specific antibodies, peptibodies and the like), comprising fully humanized and human OPGL specific antibodies, particularly fully humanized monoclonal antibodies, comprising but not limited to the antibodies described in PCT Publ. No. WO 03/002713, which is incorporated herein in its entirety as to OPGL specific antibodies and antibody related proteins, particularly those having the sequences set forth therein,

particularly, but not limited to, those denoted therein: 9H7; 18B2; 2D8; 2E11; 16E1; and 22B3, comprising the OPGL specific antibodies having either the light chain of SEQ ID NO: 2 therein as set forth in Figure 2 therein and/or the heavy chain of SEQ ID NO:4 therein, as set forth in Figure 4 therein, each of which is individually and specifically incorporated by reference herein in its entirety fully as disclosed in the foregoing Publication.

[00219] The ICS of the cassette may also be filled for treatment or be prefilled with myostatin binding proteins, peptibodies, and related proteins, and the like, comprising myostatin specific peptibodies, particularly those described in US Publ. No. 2004/0181033 and PCT Publ. No. WO 2004/058988, which are incorporated by reference herein in their entirety particularly in parts pertinent to myostatin specific peptibodies, comprising but not limited to peptibodies of the mTN8-19 family, comprising those of SEQ ID NOS: 305-351, comprising TN8-19-1 through TN8-19-40, TN8-19 con1 and TN8-19 con2; peptibodies of the mL2 family of SEQ ID NOS: 357-383 therein; the mL15 family of SEQ ID NOS: 384-409; the mL17 family of SEQ ID NOS: 410-438 therein; the mL20 family of SEQ ID NOS: 439-446 therein; the mL21 family of SEQ ID NOS: 447-452 therein; the mL24 family of SEQ ID NOS: 453-454 therein; and those of SEQ ID NOS: 615-631 therein, each of which is individually and specifically incorporated by reference herein in their entirety fully as disclosed in the foregoing publication.

[00220] The ICS of the cassette may also be filled for treatment or be prefilled with IL-4 receptor specific antibodies, peptibodies, and related proteins, and the like, particularly

those that inhibit activities mediated by binding of IL-4 and/or IL-13 to the receptor, comprising those described in PCT Publ. No. WO 2005/047331 or PCT Appl. No. PCT/US2004/03742 and in US Publ. No. 2005/112694, which are incorporated herein by reference in their entirety particularly in parts pertinent to IL-4 receptor specific antibodies, particularly such antibodies as are described therein, particularly, and without limitation, those designated therein: L1H1; L1H2; L1H3; L1H4; L1H5; L1H6; L1H7; L1H8; L1H9; L1H10; L1H11; L2H1; L2H2; L2H3; L2H4; L2H5; L2H6; L2H7; L2H8; L2H9; L2H10; L2H11; L2H12; L2H13; L2H14; L3H1; L4H1; L5H1; L6H1, each of which is individually and specifically incorporated by reference herein in its entirety fully as disclosed in the foregoing publication.

[00221] The ICS of the cassette may also be filled for treatment or be prefilled with IL1-R1 specific antibodies, peptibodies, and related proteins, and the like, comprising but not limited to those described in U.S. Publ. No. 2004/097712A1, which is incorporated herein by reference in its entirety in parts pertinent to IL1-R1 specific binding proteins, monoclonal antibodies in particular, especially, without limitation, those designated therein: 15CA, 26F5, 27F2, 24E12, and 10H7, each of which is individually and specifically incorporated by reference herein in its entirety fully as disclosed in the aforementioned U.S. publication.

[00222] The ICS of the cassette may also be filled for treatment or be prefilled with Ang2 specific antibodies, peptibodies, and related proteins, and the like, comprising but not limited to those described in PCT Publ. No. WO 03/057134 and U.S. Publ No. 2003/0229023, each of which is incorporated herein by reference in its entirety

particularly in parts pertinent to Ang2 specific antibodies and peptibodies and the like, especially those of sequences described therein and comprising but not limited to: L1(N); L1(N) WT; L1(N) 1K WT; 2xL1(N); 2xL1(N) WT; Con4 (N), Con4 (N) 1K WT, 2xCon4 (N) 1K; L1C; L1C 1K; 2xL1C; Con4C; Con4C 1K; 2xCon4C 1K; Con4-L1 (N); Con4-L1C; TN-12-9 (N); C17 (N); TN8-8(N); TN8-14 (N); Con 1 (N), also comprising anti-Ang 2 antibodies and formulations such as those described in PCT Publ. No. WO 2003/030833 which is incorporated herein by reference in its entirety as to the same, particularly Ab526; Ab528; Ab531; Ab533; Ab535; Ab536; Ab537; Ab540; Ab543; Ab544; Ab545; Ab546; A551; Ab553; Ab555; Ab558; Ab559; Ab565; AbF1AbFD; AbFE; AbFJ; AbFK; AbG1D4; AbGC1E8; AbH1C12; AblA1; AbIF; AblK, AblP; and AblP, in their various permutations as described therein, each of which is individually and specifically incorporated by reference herein in its entirety fully as disclosed in the foregoing publication.

[00223] The ICS of the cassette may also be filled for treatment or be prefilled with NGF specific antibodies, peptibodies, and related proteins, and the like comprising, in particular, but not limited to those described in US Publ. No. 2005/0074821 and US Patent No. 6,919,426, which are incorporated herein by reference in their entirety particularly as to NGF-specific antibodies and related proteins in this regard, comprising in particular, but not limited to, the NGF-specific antibodies therein designated 4D4, 4G6, 6H9, 7H2, 14D10 and 14D11, each of which is individually and specifically incorporated by reference herein in its entirety fully as disclosed in the foregoing publication.

[00224] The ICS of the cassette may also be filled for treatment or be prefilled with CD22 specific antibodies, peptibodies, and related proteins, and the like, such as those described in US Patent No. 5,789,554, which is incorporated herein by reference in its entirety as to CD22 specific antibodies and related proteins, particularly human CD22 specific antibodies, such as but not limited to humanized and fully human antibodies, comprising but not limited to humanized and fully human monoclonal antibodies, particularly comprising but not limited to human CD22 specific IgG antibodies, such as, for instance, a dimer of a human-mouse monoclonal hLL2 gamma-chain disulfide linked to a human-mouse monoclonal hLL2 kappa-chain, comprising, but limited to, for example, the human CD22 specific fully humanized antibody in Epratuzumab, CAS registry number 501423-23-0;

[00225] The ICS of the cassette may also be filled for treatment or be prefilled with IGF-1 receptor specific antibodies, peptibodies, and related proteins, and the like, such as those described in PCT Publ. No. WO 06/069202, which is incorporated herein by reference in its entirety as to IGF-1 receptor specific antibodies and related proteins, comprising but not limited to the IGF-1 specific antibodies therein designated L1H1, L2H2, L3H3, L4H4, L5H5, L6H6, L7H7, L8H8, L9H9, L10H10, L11H11, L12H12, L13H13, L14H14, L15H15, L16H16, L17H17, L18H18, L19H19, L20H20, L21H21, L22H22, L23H23, L24H24, L25H25, L26H26, L27H27, L28H28, L29H29, L30H30, L31H31, L32H32, L33H33, L34H34, L35H35, L36H36, L37H37, L38H38, L39H39, L40H40, L41H41, L42H42, L43H43, L44H44, L45H45, L46H46, L47H47, L48H48, L49H49, L50H50, L51H51, L52H52, and IGF-1R-binding fragments and derivatives

thereof, each of which is individually and specifically incorporated by reference herein in its entirety fully as disclosed in the foregoing International Publication.

[00226] Also among non-limiting examples of anti-IGF-1R antibodies for use in the methods and compositions of the present invention are each and all of those described in: (i) US Publ. No. 2006/0040358 (published February 23, 2006), 2005/0008642 (published January 13, 2005), 2004/0228859 (published November 18, 2004), comprising but not limited to, for instance, antibody 1A (DSMZ Deposit No. DSM ACC 2586), antibody 8 (DSMZ Deposit No. DSM ACC 2589), antibody 23 (DSMZ Deposit No. DSM ACC 2588) and antibody 18 as described therein; (ii) PCT Publ. No. WO 06/138729 (published December 28, 2006) and WO 05/016970 (published February 24, 2005), and Lu et al., 2004, J Biol. Chem. 279:2856-65, comprising but not limited to antibodies 2F8, A12, and IMC-A12 as described therein; (iii) PCT Publ. No. WO 07/012614 (published February 1, 2007), WO 07/000328 (published January 4, 2007), WO 06/013472 (published February 9, 2006), WO 05/058967 (published June 30, 2005), and WO 03/059951 (published July 24, 2003); (iv) US Publ. No. 2005/0084906 (published April 21, 2005), comprising but not limited to antibody 7C10, chimaeric antibody C7C10, antibody h7C10, antibody 7H2M, chimaeric antibody *7C10, antibody GM 607, humanized antibody 7C10 version 1, humanized antibody 7C10 version 2, humanized antibody 7C10 version 3, and antibody 7H2HM, as described therein; (v) US Publ. Nos. 2005/0249728 (published November 10, 2005), 2005/0186203 (published August 25, 2005), 2004/0265307 (published December 30, 2004), and 2003/0235582 (published December 25, 2003) and Maloney et al., 2003, Cancer Res. 63:5073-83, comprising but

not limited to antibody EM164, resurfaced EM164, humanized EM164, huEM164 v1.0, huEM164 v1.1, huEM164 v1.2, and huEM164 v1.3 as described therein; (vi) US Pat. No. 7,037,498 (issued May 2, 2006), US Publ. Nos. 2005/0244408 (published November 30, 2005) and 2004/0086503 (published May 6, 2004), and Cohen, et al., 2005, *Clinical Cancer Res.* 11:2063-73, e.g., antibody CP-751,871, comprising but not limited to each of the antibodies produced by the hybridomas having the ATCC accession numbers PTA-2792, PTA-2788, PTA-2790, PTA-2791, PTA-2789, PTA-2793, and antibodies 2.12.1, 2.13.2, 2.14.3, 3.1.1, 4.9.2, and 4.17.3, as described therein; (vii) US Publ. Nos. 2005/0136063 (published June 23, 2005) and 2004/0018191 (published January 29, 2004), comprising but not limited to antibody 19D12 and an antibody comprising a heavy chain encoded by a polynucleotide in plasmid 15H12/19D12 HCA (γ 4), deposited at the ATCC under number PTA-5214, and a light chain encoded by a polynucleotide in plasmid 15H12/19D12 LCF (κ), deposited at the ATCC under number PTA-5220, as described therein; and (viii) US Publ. No. 2004/0202655 (published October 14, 2004), comprising but not limited to antibodies PINT-6A1, PINT-7A2, PINT-7A4, PINT-7A5, PINT-7A6, PINT-8A1, PINT-9A2, PINT-11A1, PINT-11A2, PINT-11A3, PINT-11A4, PINT-11A5, PINT-11A7, PINT-11A12, PINT-12A1, PINT-12A2, PINT-12A3, PINT-12A4, and PINT-12A5, as described therein; each and all of which are herein incorporated by reference in their entireties, particularly as to the aforementioned antibodies, peptibodies, and related proteins and the like that target IGF-1 receptors.

[00227] The ICS of the cassette may also be filled for treatment or be prefilled with B-7 related protein 1 specific antibodies, peptibodies, related proteins and the like (“B7RP-1,”

also is referred to in the literature as B7H2, ICOSL, B7h, and CD275), particularly B7RP-specific fully human monoclonal IgG2 antibodies, particularly fully human IgG2 monoclonal antibody that binds an epitope in the first immunoglobulin-like domain of B7RP-1, especially those that inhibit the interaction of B7RP-1 with its natural receptor, ICOS, on activated T cells in particular, especially, in all of the foregoing regards, those disclosed in U.S. Publ. No. 2008/0166352 and PCT Publ. No. WO 07/011941, which are incorporated herein by reference in their entireties as to such antibodies and related proteins, comprising but not limited to antibodies designated therein as follow: 16H (having light chain variable and heavy chain variable sequences SEQ ID NO:1 and SEQ ID NO:7 respectively therein); 5D (having light chain variable and heavy chain variable sequences SEQ ID NO:2 and SEQ ID NO:9 respectively therein); 2H (having light chain variable and heavy chain variable sequences SEQ ID NO:3 and SEQ ID NO:10 respectively therein); 43H (having light chain variable and heavy chain variable sequences SEQ ID NO:6 and SEQ ID NO:14 respectively therein); 41H (having light chain variable and heavy chain variable sequences SEQ ID NO:5 and SEQ ID NO:13 respectively therein); and 15H (having light chain variable and heavy chain variable sequences SEQ ID NO:4 and SEQ ID NO:12 respectively therein), each of which is individually and specifically incorporated by reference herein in its entirety fully as disclosed in the foregoing U.S. Publication.

[00228] The ICS of the cassette may also be filled for treatment or be prefilled with IL-15 specific antibodies, peptibodies, and related proteins, and the like, such as, in particular, humanized monoclonal antibodies, particularly antibodies such as those

disclosed in U.S. Publ. Nos. 2003/0138421; 2003/023586; and 2004/0071702; and US Patent No. 7,153,507, each of which is incorporated herein by reference in its entirety as to IL-15 specific antibodies and related proteins, comprising peptibodies, comprising particularly, for instance, but not limited to, HuMax IL-15 antibodies and related proteins, such as, for instance, 146B7.

[00229] The ICS of the cassette may also be filled for treatment or be prefilled with pharmaceutical compositions comprising antagonistic human monoclonal antibodies against human IL-17 Receptor A. The characterization, cloning, and preparation of IL-17 Receptor A are described in USPN 6,072,033, issued June 6, 2000, which is incorporated herein by reference in its entirety. The amino acid sequence of the human IL-17RA is shown in SEQ ID NO:10 of USPN 6,072,033 (GenBank accession number NM_014339). Such antibodies may comprise those disclosed in WO 2008/054603, which is incorporated by reference in its entirety or the antibodies claimed in USPN 7,767,206, issued August 3, 2010, and in U.S. Serial No. 11/906,094, which are incorporated by reference in their entirety.

[00230] The ICS of the cassette may also be filled for treatment or be prefilled with IFN gamma specific antibodies, peptibodies, and related proteins and the like, especially human IFN gamma specific antibodies, particularly fully human anti-IFN gamma antibodies, such as, for instance, those described in US Publ. No. 2005/0004353, which is incorporated herein by reference in its entirety as to IFN gamma specific antibodies, particularly, for example, the antibodies therein designated 1118; 1118*; 1119; 1121; and 1121*. The entire sequences of the heavy and light chains of each of these antibodies, as

well as the sequences of their heavy and light chain variable regions and complementarity determining regions, are each individually and specifically incorporated by reference herein in its entirety fully as disclosed in the foregoing US Publication and in Thakur et al., Mol. Immunol. 36:1107-1115 (1999). In addition, description of the properties of these antibodies provided in the foregoing US publication is also incorporated by reference herein in its entirety. Specific antibodies comprise those having the heavy chain of SEQ ID NO: 17 and the light chain of SEQ ID NO:18; those having the heavy chain variable region of SEQ ID NO:6 and the light chain variable region of SEQ ID NO:8; those having the heavy chain of SEQ ID NO:19 and the light chain of SEQ ID NO:20; those having the heavy chain variable region of SEQ ID NO:10 and the light chain variable region of SEQ ID NO:12; those having the heavy chain of SEQ ID NO:32 and the light chain of SEQ ID NO:20; those having the heavy chain variable region of SEQ ID NO:30 and the light chain variable region of SEQ ID NO:12; those having the heavy chain sequence of SEQ ID NO:21 and the light chain sequence of SEQ ID NO:22; those having the heavy chain variable region of SEQ ID NO:14 and the light chain variable region of SEQ ID NO:16; those having the heavy chain of SEQ ID NO:21 and the light chain of SEQ ID NO:33; and those having the heavy chain variable region of SEQ ID NO:14 and the light chain variable region of SEQ ID NO:31, as disclosed in the foregoing US Publication. A specific antibody contemplated is antibody 1119 as disclosed in foregoing US Publication and having a complete heavy chain of SEQ ID NO:17 as disclosed therein and having a complete light chain of SEQ ID NO:18 as disclosed therein.

[00231] The ICS of the cassette may also be filled for treatment or be prefilled with TALL-1 specific antibodies, peptibodies, and related proteins, and the like, and other TALL specific binding proteins, such as those described in U.S. Publ. Nos. 2003/0195156 and 2006/0135431, each of which is incorporated herein by reference in its entirety as to TALL-1 binding proteins, particularly the molecules of Tables 4 and 5B therein, each of which is individually and specifically incorporated by reference herein in its entirety fully as disclosed in the foregoing US Publications.

[00232] The ICS of the cassette may also be filled for treatment or be prefilled with PTH specific antibodies, peptibodies, and related proteins, and the like, such as those described in US Patent No. 6,756,480, which is incorporated herein by reference in its entirety, particularly in parts pertinent to proteins that bind PTH.

[00233] The ICS of the cassette may also be filled for treatment or be prefilled with TPO-R specific antibodies, peptibodies, and related proteins, and the like, such as those described in US Patent No. 6,835,809, which is herein incorporated by reference in its entirety, particularly in parts pertinent to proteins that bind TPO-R.

[00234] The ICS of the cassette may also be filled for treatment or be prefilled with HGF specific antibodies, peptibodies, and related proteins, and the like, comprising those that target the HGF/SF:cMet axis (HGF/SF:c-Met), such as the fully human monoclonal antibodies that neutralize hepatocyte growth factor/scatter (HGF/SF) described in US Publ. No. 2005/0118643 and PCT Publ. No. WO 2005/017107, huL2G7 described in US Patent No. 7,220,410 and OA-5d5 described in US Patent Nos. 5,686,292 and 6,468,529

and in PCT Publ. No. WO 96/38557, each of which is incorporated herein by reference in its entirety, particularly in parts pertinent to proteins that bind HGF.

[00235] The ICS of the cassette may also be filled for treatment or be prefilled with TRAIL-R2 specific antibodies, peptibodies, related proteins and the like, such as those described in US Patent No. 7,521,048, which is herein incorporated by reference in its entirety, particularly in parts pertinent to proteins that bind TRAIL-R2.

[00236] The ICS of the cassette may also be filled for treatment or be prefilled with Activin A specific antibodies, peptibodies, related proteins, and the like, comprising but not limited to those described in US Publ. No. 2009/0234106, which is herein incorporated by reference in its entirety, particularly in parts pertinent to proteins that bind Activin A.

[00237] The ICS of the cassette may also be filled for treatment or be prefilled with TGF-beta specific antibodies, peptibodies, related proteins, and the like, comprising but not limited to those described in US Patent No. 6,803,453 and US Publ. No. 2007/0110747, each of which is herein incorporated by reference in its entirety, particularly in parts pertinent to proteins that bind TGF-beta.

[00238] The ICS of the cassette may also be filled for treatment or be prefilled with amyloid-beta protein specific antibodies, peptibodies, related proteins, and the like, comprising but not limited to those described in PCT Publ. No. WO 2006/081171, which is herein incorporated by reference in its entirety, particularly in parts pertinent to proteins that bind amyloid-beta proteins. One antibody contemplated is an antibody

having a heavy chain variable region comprising SEQ ID NO: 8 and a light chain variable region having SEQ ID NO: 6 as disclosed in the International Publication.

[00239] The ICS of the cassette may also be filled for treatment or be prefilled with c-Kit specific antibodies, peptibodies, related proteins, and the like, comprising but not limited to those described in Publ. No. 2007/0253951, which is incorporated herein by reference in its entirety, particularly in parts pertinent to proteins that bind c-Kit and/or other stem cell factor receptors.

[00240] The ICS of the cassette may also be filled for treatment or be prefilled with OX40L specific antibodies, peptibodies, related proteins, and the like, comprising but not limited to those described in US Appl. No. 11/068,289, which is incorporated herein by reference in its entirety, particularly in parts pertinent to proteins that bind OX40L and/or other ligands of the OX40 receptor.

[00241] The ICS of the cassette may also be filled for treatment or be prefilled with other exemplary proteins comprising but are not limited to Activase® (Alteplase, tPA); Aranesp® (Darbepoetin alfa), Epogen® (Epoetin alfa, or erythropoietin); Avonex® (Interferon beta-1a); Bexxar® (Tositumomab, anti-CD22 monoclonal antibody); Betaseron® (Interferon-beta); Campath® (Alemtuzumab, anti-CD52 monoclonal antibody); Dynepo® (Epoetin delta); Velcade® (bortezomib); MLN0002 (anti- $\alpha 4\beta 7$ mAb); MLN1202 (anti-CCR2 chemokine receptor mAb); Enbrel® (etanercept, TNF-receptor /Fc fusion protein, TNF blocker); Eprex® (Epoetin alfa); Erbitux® (Cetuximab, anti-EGFR / HER1 / c-ErbB-1); Genotropin® (Somatropin, Human Growth Hormone); Herceptin® (Trastuzumab, anti-HER2/neu (erbB2) receptor mAb); Humatrope®

(Somatropin, Human Growth Hormone); Humira® (Adalimumab); Insulin in Solution; Infergen® (Interferon Alfacon-1); Natrecor® (nesiritide; recombinant human B-type natriuretic peptide (hBNP)); Kineret® (Anakinra), Leukine® (Sargamostim, rhuGM-CSF); LymphoCide® (Epratuzumab, anti-CD22 mAb); Lymphostat B® (Belimumab, anti-BlyS mAb); Metalyse® (Tenecteplase, t-PA analog); Mircera® (methoxy polyethylene glycol-epoetin beta); Mylotarg® (Gemtuzumab ozogamicin); Raptiva® (efalizumab); Cimzia® (certolizumab pegol, CDP 870); Soliris™ (Eculizumab); Pexelizumab (Anti-C5 Complement); MEDI-524 (Numax®); Lucentis® (Ranibizumab); 17-1A (Edrecolomab, Panorex®); Trabio® (lerdelimumab); TheraCim hR3 (Nimotuzumab); Omnitarg (Pertuzumab, 2C4); Osidem® (IDM-1); OvaRex® (B43.13); Nuvion® (visilizumab); Cantuzumab mertansine (huC242-DM1); NeoRecormon® (Epoetin beta); Neumega® (Oprelvekin, Human Interleukin-11); Neulasta® (Pegylated filgrastim, pegylated G-CSF, pegylated hu-Met-G-CSF); Neupogen® (Filgrastim, G-CSF, hu-MetG-CSF); Orthoclone OKT3® (Muromonab-CD3, anti-CD3 monoclonal antibody), Procrit® (Epoetin alfa); Remicade® (Infliximab, anti-TNF α monoclonal antibody), Reopro® (Abciximab, anti-GP IIb/IIIa receptor monoclonal antibody), Actemra® (anti-IL6 Receptor mAb), Avastin® (Bevacizumab), HuMax-CD4 (zanolimumab), Rituxan® (Rituximab, anti-CD20 mAb); Tarceva® (Erlotinib); Roferon-A®-(Interferon alfa-2a); Simulect® (Basiliximab); Prexige® (lumiracoxib); Synagis® (Palivizumab); 146B7-CHO (anti-IL15 antibody, see US Patent No. 7,153,507), Tysabri® (Natalizumab, anti- α 4integrin mAb); Valortim® (MDX-1303, anti-B. anthracis Protective Antigen mAb); ABthrax™; Vectibix® (Panitumumab); Xolair®

(Omalizumab), ETI211 (anti-MRSA mAb), IL-1 Trap (the Fc portion of human IgG1 and the extracellular domains of both IL-1 receptor components (the Type I receptor and receptor accessory protein)), VEGF Trap (Ig domains of VEGFR1 fused to IgG1 Fc), Zenapax® (Daclizumab); Zenapax® (Daclizumab, anti-IL-2R α mAb), Zevalin® (Ibritumomab tiuxetan), Zetia (ezetimibe), Atacicept (TACI-Ig), anti-CD80 monoclonal antibody (mAb) (galiximab), anti-CD23 mAb (lumiliximab), . BR2-Fc (huBR3 / huFc fusion protein, soluble BAFF antagonist); CNTO 148 (Golimumab, anti-TNF α mAb); HGS-ETR1 (Mapatumumab; human anti-TRAIL Receptor-1 mAb); HuMax-CD20 (Ocrelizumab, anti-CD20 human mAb); HuMax-EGFR (zalutumumab); M200 (Volociximab, anti- α 5 β 1 integrin mAb); MDX-010 (ipilimumab, anti-CTLA-4 mAb and VEGFR-1 (IMC-18F1); anti-BR3 mAb; anti-C. difficile Toxin A and Toxin B C mAbs MDX-066 (CDA-1) and MDX-1388); anti-CD22 dsFv-PE38 conjugates (CAT-3888 and CAT-8015); anti-CD25 mAb (HuMax-TAC); anti-CD3 mAb (NI-0401); adecatumumab; anti-CD30 mAb (MDX-060); MDX-1333 (anti-IFNAR); anti-CD38 mAb (HuMax CD38); anti-CD40L mAb; anti-Cripto mAb; anti-CTGF Idiopathic Pulmonary Fibrosis Phase I Fibrogen (FG-3019); anti-CTLA4 mAb; anti-eotaxin1 mAb (CAT-213); anti-FGF8 mAb; anti-ganglioside GD2 mAb; anti-ganglioside GM2 mAb; anti-GDF-8 human mAb (MYO-029); anti-GM-CSF Receptor mAb (CAM-3001); anti-HepC mAb (HuMax HepC); anti-IFN α mAb (MEDI-545, MDX-1103); anti-IGF1R mAb; anti-IGF-1R mAb (HuMax-Inflam); anti-IL12 mAb (ABT-874); anti-IL12/IL23 mAb (CNTO 1275); anti-IL13 mAb (CAT-354); anti-IL2Ra mAb (HuMax-TAC); anti-IL5 Receptor mAb; anti-integrin receptors mAb (MDX-018, CNTO 95); anti-IP10 Ulcerative Colitis mAb (MDX-

1100); anti-LLY antibody; BMS-66513; anti-Mannose Receptor/hCG β mAb (MDX-1307); anti-mesothelin dsFv-PE38 conjugate (CAT-5001); anti-PD1mAb (MDX-1106 (ONO-4538)); anti-PDGFR α antibody (IMC-3G3); anti-TGF β mAb (GC-1008); anti-TRAIL Receptor-2 human mAb (HGS-ETR2); anti-TWEAK mAb; anti-VEGFR/Flt-1 mAb; anti-ZP3 mAb (HuMax-ZP3); NVS Antibody #1; and NVS Antibody #2; a sclerostin antibody, such as but not limited to romosozumab, blosozumab, or BPS 804 (Novartis). Also included can be therapeutics such as rilotumumab, bixalomer, trebananib, ganitumab, conatumumab, motesanib diphosphate, brodalumab, vidupiprant, panitumumab, denosumab, NPLATE, PROLIA, VECTIBIX or XGEVA. Additionally, included in the AI can be a monoclonal antibody (IgG) that binds human Proprotein Convertase Subtilisin/Kexin Type 9 (PCSK9), e.g. US 8,030,547, US13/469,032, WO2008/057457, WO2008/057458, WO2008/057459, WO2008/063382, WO2008/133647, WO2009/100297, WO2009/100318, WO2011/037791, WO2011/053759, WO2011/053783, WO2008/125623, WO2011/072263, WO2009/055783, WO2012/0544438, WO2010/029513, WO2011/111007, WO2010/077854, WO2012/088313, WO2012/101251, WO2012/101252, WO2012/101253, WO2012/109530, and WO2001/031007.

[00242] The ICS of the cassette may also be filled for treatment or be prefilled with antibodies comprising, but not limited to, those that recognize any one or a combination of proteins comprising, but not limited to, the above-mentioned proteins and/or the following antigens: CD2, CD3, CD4, CD8, CD11a, CD14, CD18, CD20, CD22, CD23, CD25, CD33, CD40, CD44, CD52, CD80 (B7.1), CD86 (B7.2), CD147, IL-1 α , IL-1 β ,

IL-2, IL-3, IL-7, IL-4, IL-5, IL-8, IL-10, IL-2 receptor, IL-4 receptor, IL-6 receptor, IL-13 receptor, IL-18 receptor subunits, FGL2, PDGF- β and analogs thereof (see US Patent Nos. 5,272,064 and 5,149,792), VEGF, TGF, TGF- β 2, TGF- β 1, EGF receptor (see US Patent No. 6,235,883) VEGF receptor, hepatocyte growth factor, osteoprotegerin ligand, interferon gamma, B lymphocyte stimulator (BlyS, also known as BAFF, THANK, TALL-1, and zTNF4; see Do and Chen-Kiang (2002), Cytokine Growth Factor Rev. 13(1): 19-25), C5 complement, IgE, tumor antigen CA125, tumor antigen MUC1, PEM antigen, LCG (which is a gene product that is expressed in association with lung cancer), HER-2, a tumor-associated glycoprotein TAG-72, the SK-1 antigen, tumor-associated epitopes that are present in elevated levels in the sera of patients with colon and/or pancreatic cancer, cancer-associated epitopes or proteins expressed on breast, colon, squamous cell, prostate, pancreatic, lung, and/or kidney cancer cells and/or on melanoma, glioma, or neuroblastoma cells, the necrotic core of a tumor, integrin alpha 4 beta 7, the integrin VLA-4, B2 integrins, TRAIL receptors 1, 2, 3, and 4, RANK, RANK ligand, TNF- α , the adhesion molecule VAP-1, epithelial cell adhesion molecule (EpCAM), intercellular adhesion molecule-3 (ICAM-3), leukointegrin adhesin, the platelet glycoprotein gp IIb/IIIa, cardiac myosin heavy chain, parathyroid hormone, rNAPc2 (which is an inhibitor of factor VIIa-tissue factor), MHC I, carcinoembryonic antigen (CEA), alpha-fetoprotein (AFP), tumor necrosis factor (TNF), CTLA-4 (which is a cytotoxic T lymphocyte-associated antigen), Fc- γ -1 receptor, HLA-DR 10 beta, HLA-DR antigen, L-selectin, Respiratory Syncytial Virus, human immunodeficiency virus (HIV), hepatitis B virus (HBV), Streptococcus mutans, and Staphylococcus aureus.

[00243] Additional examples of known antibodies that may be contained in the ICS of the cassette can comprise but are not limited to adalimumab, bevacizumab, infliximab, abciximab, alemtuzumab, bapineuzumab, basiliximab, belimumab, briakinumab, canakinumab, certolizumab pegol, cetuximab, conatumumab, denosumab, eculizumab, gemtuzumab ozogamicin, golimumab, ibritumomab tiuxetan, labetuzumab, mapatumumab, matuzumab, mepolizumab, motavizumab, muromonab-CD3, natalizumab, nimotuzumab, ofatumumab, omalizumab, oregovomab, palivizumab, panitumumab, pentumomab, pertuzumab, ranibizumab, rituximab, rovelizumab, tocilizumab, tositumomab, trastuzumab, ustekinumab, zalutumumab, and zanolimumab.

[00244] Although the autoinjector system, cassette, and autoinjector, have been described in terms of exemplary embodiments, it is not limited thereto. Rather, the appended claims should be construed broadly, to comprise other variants and embodiments of same, which may be made by those skilled in the art without departing from the scope and range of equivalents of the autoinjector system, cassette, and autoinjector, and their elements.

CLAIMS

What is claimed is:

1. A cassette for an injector, the cassette comprising:
a housing; and
a body member having a fluid chamber for containing a drug and an injection needle in fluid communication with the chamber, the body member moveable in the housing between a proximal position and a distal position.
2. The cassette according to claim 1, wherein the injection needle is disposed at a proximal end of the body member.
3. The cassette according to claim 1 or 2, further comprising a plunger-stopper for the chamber to dispense a drug from the chamber through the injection needle.
4. The cassette according to claim 3, wherein the body member has an open distal end for allowing the injector to interface with the plunger-stopper.
5. The cassette according to claim 1 or 2, wherein the body member has a drive post for allowing the injector to interface with the body member.
6. The cassette according to claim 1 or 2, further comprising a locking arrangement for interlocking the body member with the housing, the locking arrangement

comprising a spring-biased member associated with one of the housing and the body member, and a fixed member associated with the other one of the housing and the body member for interlocking with the spring-biased member.

7. The cassette according to claim 6, wherein the locking arrangement further comprises a cam for unlocking the spring-bias and fixed members.

8. The cassette according to claim 7, wherein the cam is associated with the spring-biased member.

9. The cassette according to claim 6, wherein the spring-biased member comprises at least one locking foot and the fixed member comprises at least one slot, the at least one locking foot engaging the at least one slot in a locked position, to interlock the body member with the housing.

10. The cassette according to claim 9, wherein the at least one locking foot is disposed on a hand member.

11. The cassette according to claim 10, wherein the hand member is connected to the one of the housing and the body member by at least one flexible arm member, the at least one arm member biasing the hand member.

12. The cassette according to claim 11, wherein the at least one arm member biases the hand member in an unlocked position where the at least one locking foot is disengaged from the at least one slot.

13. The cassette according to claim 11, wherein the at least one arm member biases the hand member in the locked position where the at least one locking foot is engaged with the at least one slot.

14. The cassette according to claim 11, wherein the cam is disposed on the hand member.

15. The cassette according to claim 7, wherein the cam is actuated by the injector during a needle-insertion cycle of the injector.

16. The cassette according to claim 7, wherein the at least one locking foot and the at least one slot have angled surfaces which engage one another if the at least one locking foot is engaged with the at least one slot, to facilitate self-locking or self-unlocking thereof, depending upon the angle of the surfaces.

17. The cassette according to claim 6, wherein the locking arrangement further comprises a second cam for preventing the spring biased member from interfering with the assembly of the body member to the housing.

18. The cassette according to claim 17, wherein the second cam is disposed on the hand member.

19. The cassette according to claim 18, wherein the second cam extends forward of a leading edge of the hand member.

20. The cassette according to claim 6, further comprising a latch mechanism comprising a first member associated with the housing and a second member associated with the body member.

21. The cassette according to claim 1 or 2, further comprising:
a needle shield disposed over the injection needle;
a cassette cap for removing the needle shield, the cassette cap comprising a first and second body portions, the first body portion engaging the needle shield, the first body portion extending through the aperture in the housing and defining an end that can be gripped to withdraw the cassette cap from the housing to remove the needle shield, the second body portion defining a key; and
an anti-bending structure for preventing bending or flexing of the cassette cap, the cassette cap having at least a first member associated with the key and the housing having at least a second member for interacting with the first member.

22. The cassette according to claim 21, wherein the first member comprises a first pair of tabs.

23. The cassette according to claim 22, wherein the first pair tabs are disposed on side walls of the key.

24. The cassette according to claim 22, wherein the first member further comprises a second pair of tabs spaced from the first pair of tabs.

25. The cassette according to claim 24, wherein the second pair tabs are disposed on side walls of the key.

26. The cassette according to claim 25, wherein the tabs extend from outer surfaces of the side walls.

27. The cassette according to claim 24, wherein the first pair of tabs are disposed adjacent a first end of the key and the second pair of tabs are disposed adjacent to a second end of the key.

28. The cassette according to claim 21, wherein the second member comprises a pair of ribs.

29. The cassette according to claim 28, wherein the ribs are disposed on side walls of the housing.

30. The cassette according to claim 29, wherein upper surfaces of the tabs engage lower surfaces of the ribs.

31. The cassette according to claim 29, wherein the ribs extend from interior surfaces of the side walls.

32. The cassette according to claim 21, wherein the end of the first body portion includes a gripping flange.

33. The cassette according to claim 1 or 2, further comprising a cassette identification arrangement (cassette ID) defining a code containing information about the cassette, the code being detectable and decipherable by the injector, the cassette ID disposed on the housing, embedded within the housing, provided on or in a separate structure contained within the housing, or any combination thereof.

34. The cassette according to claim 33, wherein the cassette ID comprises a contact system that requires contact between the cassette ID and the injector, a non-contact system that requires no contact between the cassette ID and the injector, or any combination thereof.

35. The cassette according to claim 34, wherein the contact system comprises one or more tabs, one or more indentations, one or more electrically conductive strips, or any combination thereof, for contacting one or more sensing elements of a detector of the injector when the cassette is placed in or on the injector.

36. The cassette according to claim 35, wherein the code is at least partially determined by the absence of one or more of the one or more tabs, indentations, electrically conductive strips, or any combination thereof.

37. The cassette according to claim 35, wherein the one or more tabs, indentations, electrically conductive strips, or any combination thereof are provided at various housing positions, the code at least partially determined by the various housing positions of the one or more tabs, indentations, electrically conductive strips, or any combination thereof.

38. The cassette according to claim 35, wherein the number of the one or more tabs, indentations, electrically conductive strips, or combination thereof, at least partially determining the code.

39. The cassette according to claim 35, wherein each of the one or more electrically conductive strips defines a straight or tortuous path, the code at least partially determined by the path of each of the one or more electrically conductive strips.

40. The cassette according to claim 35, wherein each of the one or more tabs has a length selected from two or more different lengths, the code at least partially determined by the length of the one or more tabs.

41. The cassette according to claim 35, wherein each of the one or more indentations has a depth selected from two or more different depths, the code at least partially determined by the depth of the one or more indentations.

42. The cassette according to claim 34, wherein the non-contact system comprises a device for emitting a radio-frequency (RF) electromagnetic field (EMF), a device for emitting a magnetic field (MF), a device for emitting a machine-readable optical representation of data (ORD), or any combination thereof, the RF EMF, MF, ORD, or any combination thereof being sensed by a detector of the injector when the cassette is placed in or on the injector, the code at least partially determined by the RF EMF, MF, ORD, or any combination thereof.

43. The cassette according to claim 33, wherein the cassette comprises a training cassette.

44. The cassette according to claim 33, wherein the cassette comprises a drug cassette.

45. The cassette according to claim 44, wherein the fluid chamber of the body member is filled with a drug.
46. The cassette according to claim 44, wherein the cassette comprises a single-use cassette.
47. The cassette according to claim 33, wherein the information comprises information that identifies the type of cassette, identifies the content of the cassette, identifies whether the cassette is an OEM cassette, identifies manufacturing data about the cassette, or any combination thereof.
48. The cassette according to claim 47, wherein the information that identifies the content of the cassette comprises the quantity of drug in the body member and drug characteristics.
49. The cassette according to claim 48, wherein the drug characteristics comprise drug viscosity.
50. The cassette according to claim 47, wherein the information allows the injector to adjust or select its operational parameters or select one or a plurality of operational programs.

51. The cassette according to claim 50, wherein the operational parameters comprise injection speed, needle insertion speed, pre and post-injection wait time, needle insertion depth, temperature limits, or any combination thereof.

52. The cassette according to claim 45, wherein the drug comprises a therapeutic product.

53. The cassette according to claim 52, wherein the therapeutic product is selected from the group consisting of Epogen®, Aranesp®, Enbrel®, Neulasta®, Neupogen®, Nplate® , Vectibix®, Sensipar® , Xgeva® and Prolia®.

54. The cassette according to claim 52, wherein the therapeutic product is an antibody to IL-17 Receptor A.

55. The cassette according to claim 52, wherein the therapeutic product is an antagonist of angiopoietin-2.

56. The cassette according to claim 52, wherein the therapeutic product is a TNF blocker or inhibitor.

57. The cassette according to claim 56, wherein the TNF blocker or inhibitor is etanercept.

58. The cassette according to claim 56, wherein the TNF blocker or inhibitor is adalimumab, certolizumab, golimumab or infliximab.

59. The cassette according to claim 52, wherein the therapeutic product has a viscosity of about 19 centipoise, at room temperature.

60. The cassette according to claim 52 wherein the therapeutic product has a viscosity ranging between about 1 centipoise and about 320 centipoise, at room temperature.

61. The cassette according to claim 52, wherein the therapeutic product has a viscosity ranging between about 5 centipoise and about 40 centipoise, at room temperature.

62. The cassette according to claim 52, wherein the therapeutic product has a viscosity ranging between about 10 centipoise and about 35 centipoise, at room temperature.

63. The cassette according to claim 52, wherein the therapeutic product has a viscosity ranging between about 15 centipoise and about 30 centipoise, at room temperature.

64. The cassette according to claim 52, wherein the therapeutic product has a viscosity ranging between about 20 centipoise and about 25 centipoise, at room temperature.

65. The cassette according to claim 52, wherein the therapeutic product has a viscosity ranging between about 16 centipoise and about 42 centipoise, at room temperature.

66. The cassette according to claim 52, wherein the therapeutic product has a viscosity ranging between about 1 centipoise and about 29 centipoise, at room temperature.

67. A method of injecting a drug into a patient with an autoinjector apparatus having an autoinjector and a cassette, wherein the drug is contained in a fluid chamber of a body member having an injection needle and a needle shield covering the injection needle, wherein the body member is disposed in the cassette, and wherein the cassette is provided with a cassette cap for removing the needle, the method comprising:

manually activating a first door-open state of the injector;

in a computer process, deactivating all other operational states of the injector in response to activating the first door-open state;

in a computer process, placing the injector into a device-on state only after proper insertion of a valid one of the cassette into the injector;

in a computer process, placing the injector into a cap-off state only after removal of the cassette cap from the cassette;

in a computer process, placing the injector into a ready-to-inject state only after the injector is placed into stable contact with skin at an injection site;

in a computer process, placing the injector into an injection-process state after manual activation of the injector; and

in a computer process, opening the door of the injector and maintaining the door in the open-state and the injector in the device-on state until the cassette is removed from the injector.

68. The method according to claim 67, wherein the valid one of the cassette comprises an unused cassette.

69. The method according to claim 67, wherein the device-on state allows removal of the cassette cap from the cassette and deactivates all other operational states of the injector except a second manually activated door-open state that allows removal of the cassette from the injector.

70. The method according to claim 67, wherein the cap-off state deactivates all other operational states of the injector except a second manually activated door-open state that allows removal of the cassette from the injector.

71. The method according to claim 67, wherein the proper insertion of the valid one of the cassette into the injector is performed by providing a first member on the cassette that interacts with a second member in the injector to allow the cassette to be inserted into the injector only in the correct orientation.

72. The method according to claim 71, wherein the second member in the injector is disposed on the door of the injector.

73. The method according to claim 72, wherein the first member comprises a pin on a housing of the cassette and the second member comprises a slot in the door of the injector.

74. The method according to claim 72, wherein the first member comprises at least the shape of a housing of the cassette and the second member comprises at least the shape of the door, which matches the shape of the housing of the cassette.

75. A method of treating a patient in need thereof comprising:
providing a cassette containing a drug; and

administering the drug to the patient using an injector

wherein the cassette comprises any one of the cassettes of claims 1-66.

76. The method according to claim 75, further comprising inserting the cassette into the injector prior to administering the drug.

77. The cassette according to claim 1 or 2, wherein the cassette is a disposable, single use cassette.

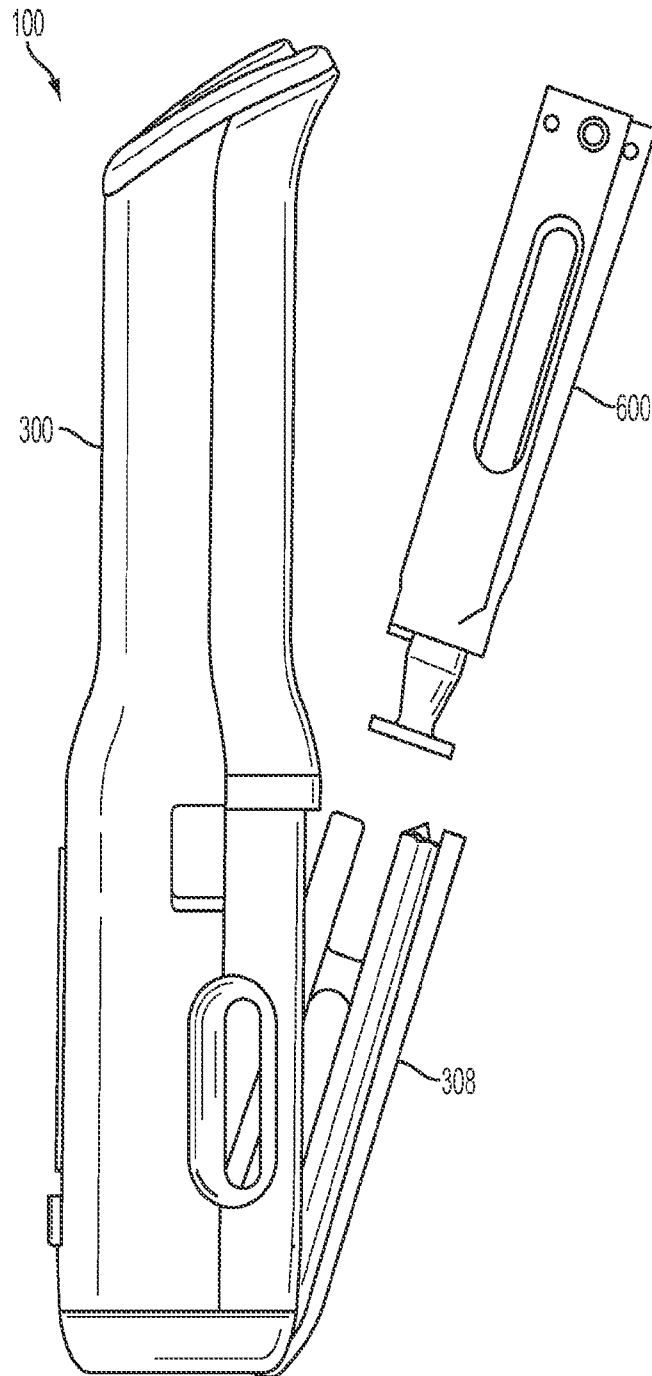


FIG. 1

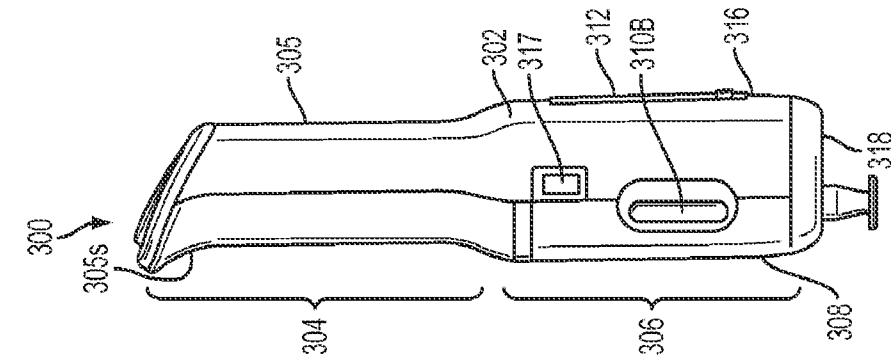


FIG. 2D

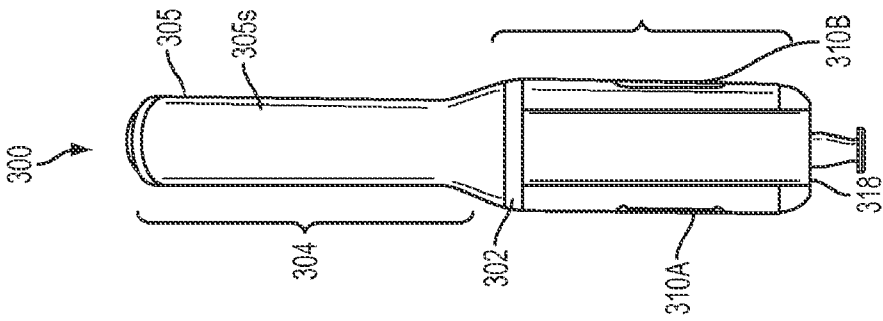


FIG. 2C

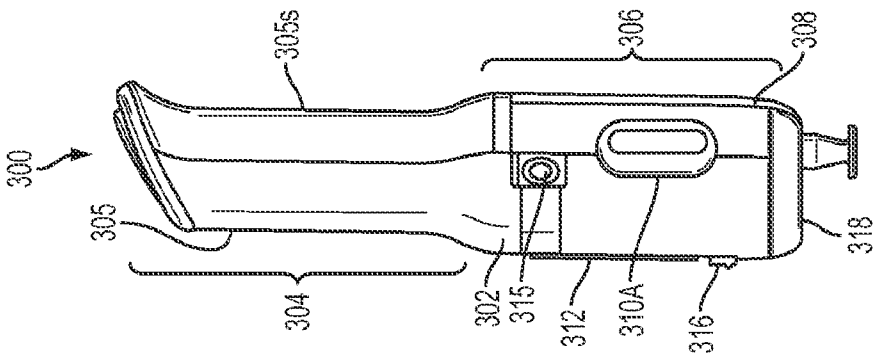


FIG. 2B

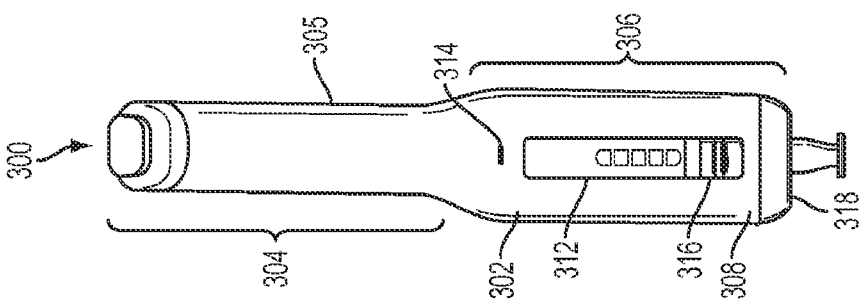


FIG. 2A

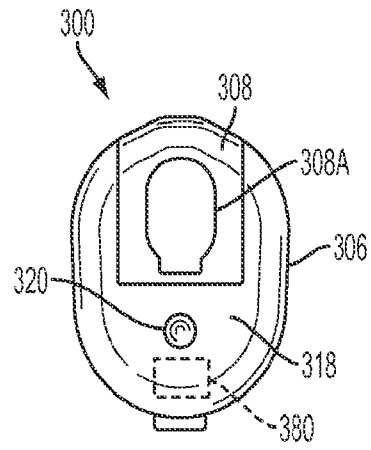


FIG. 2E

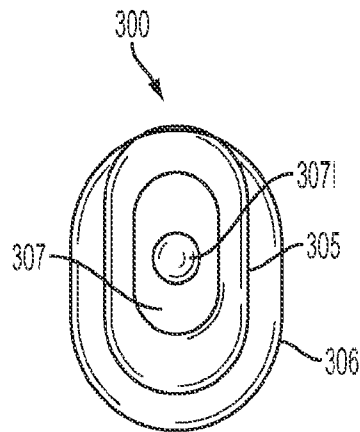


FIG. 2F

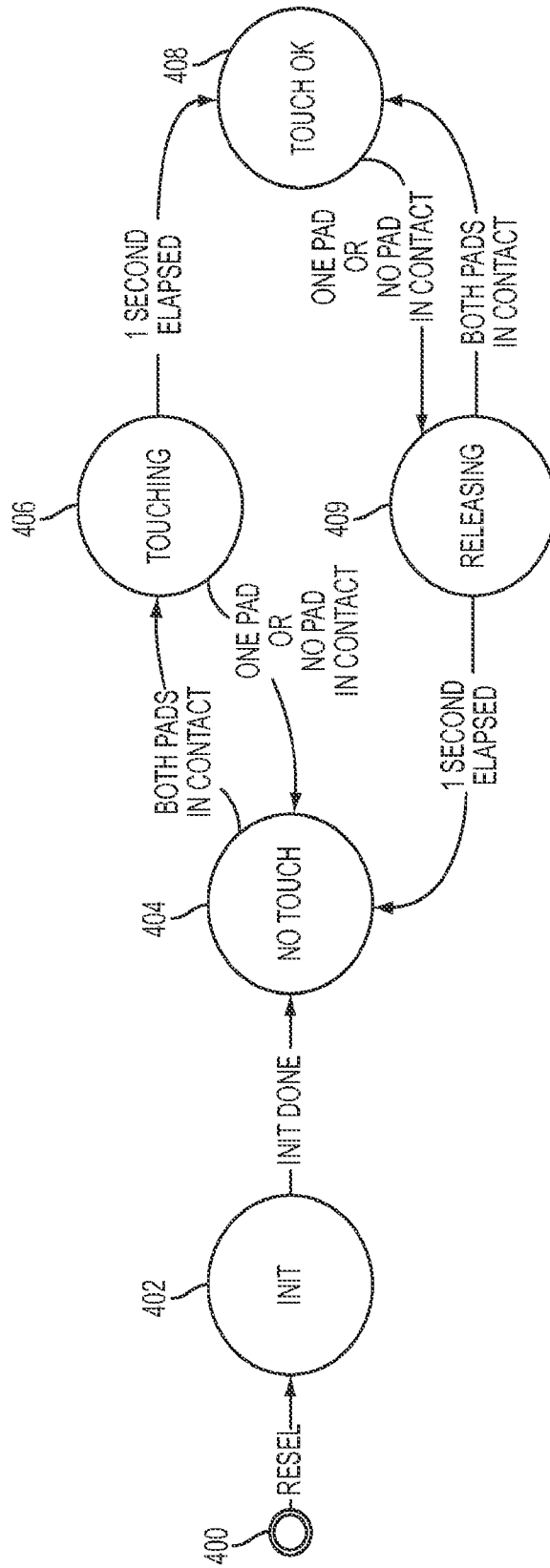


FIG. 2G

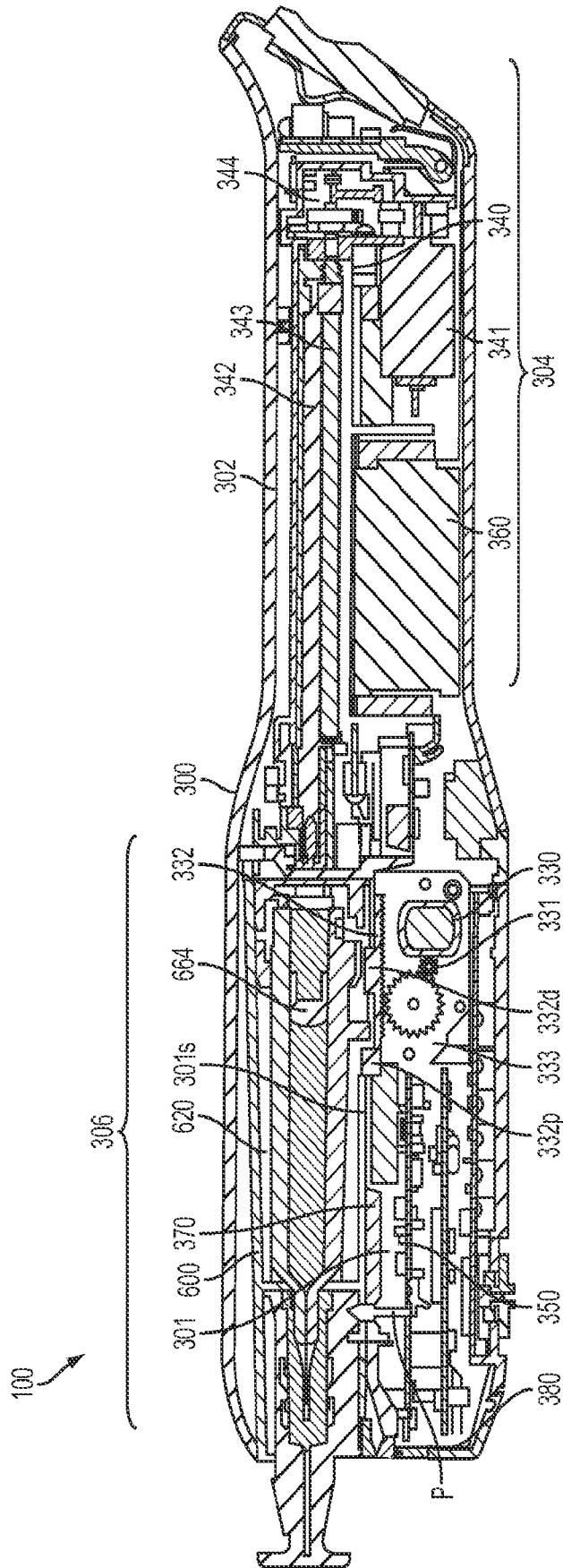


FIG. 2H

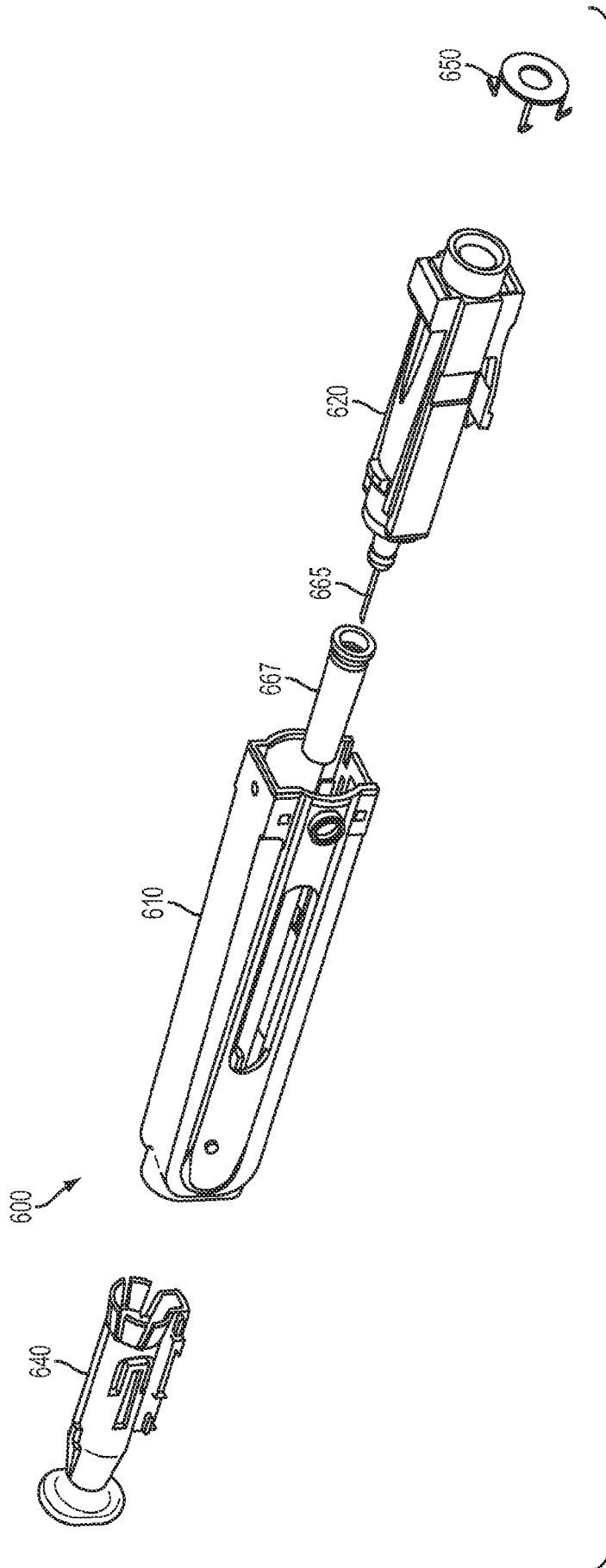


FIG. 3

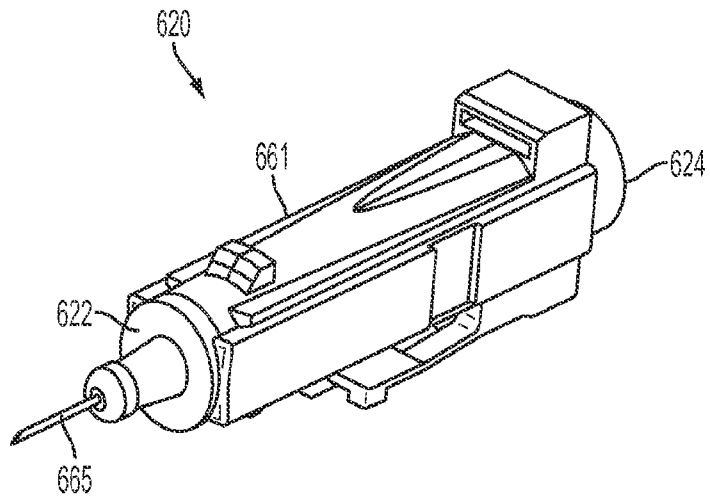


FIG. 4

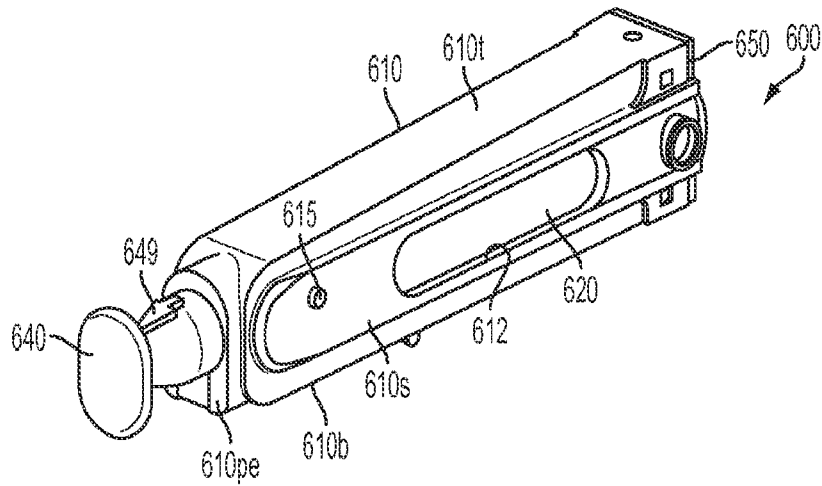


FIG. 5A

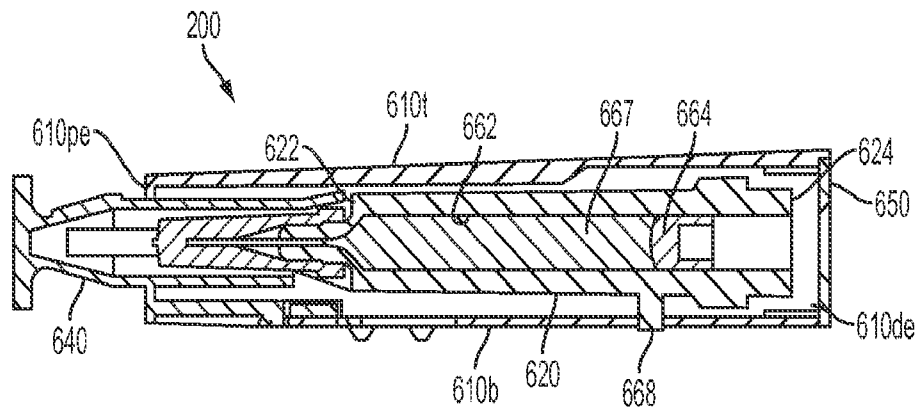


FIG. 5B

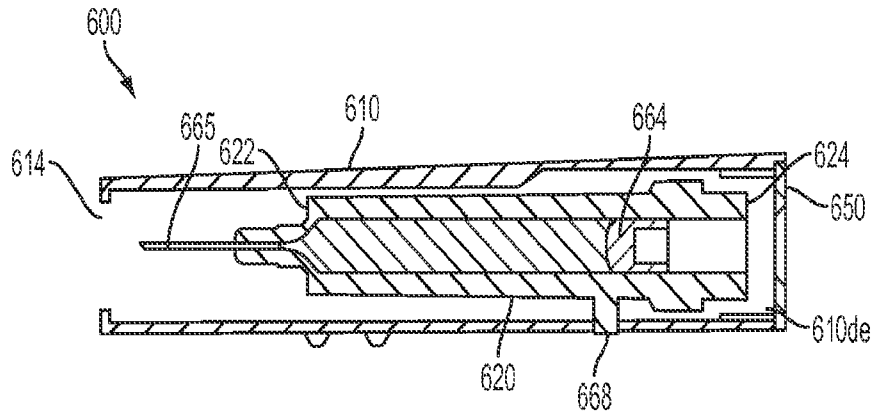


FIG. 5C

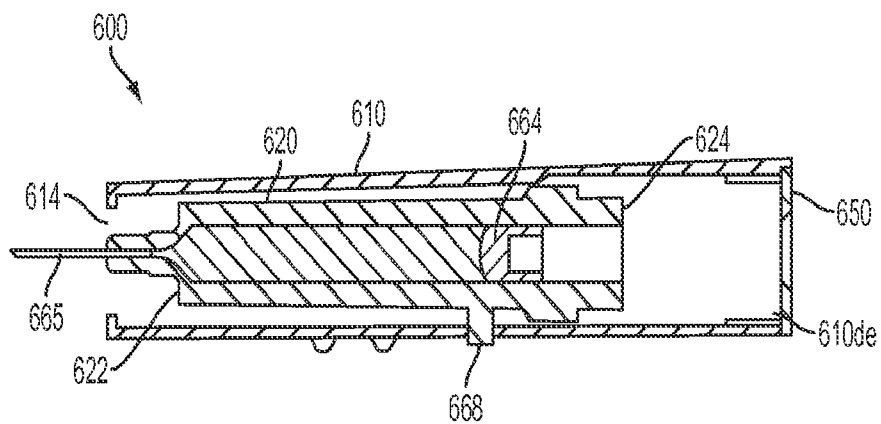


FIG. 5D

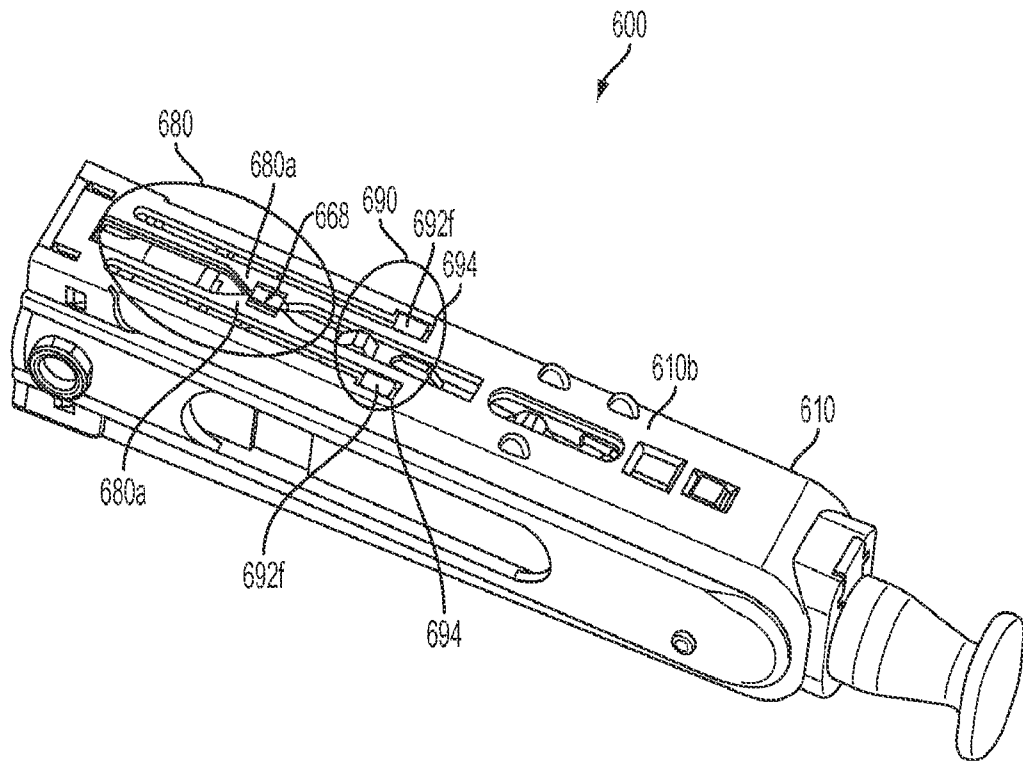


FIG. 6A

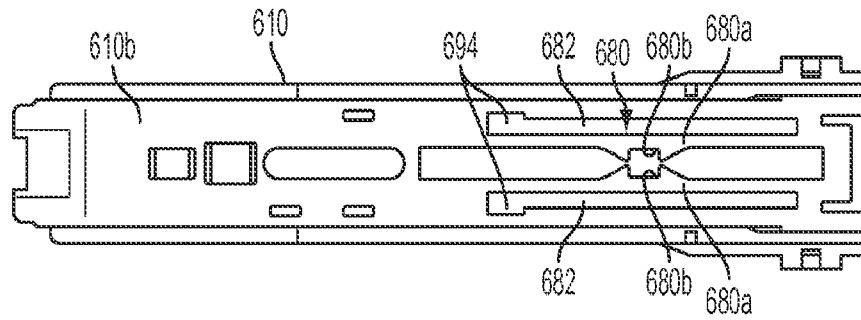


FIG. 6B

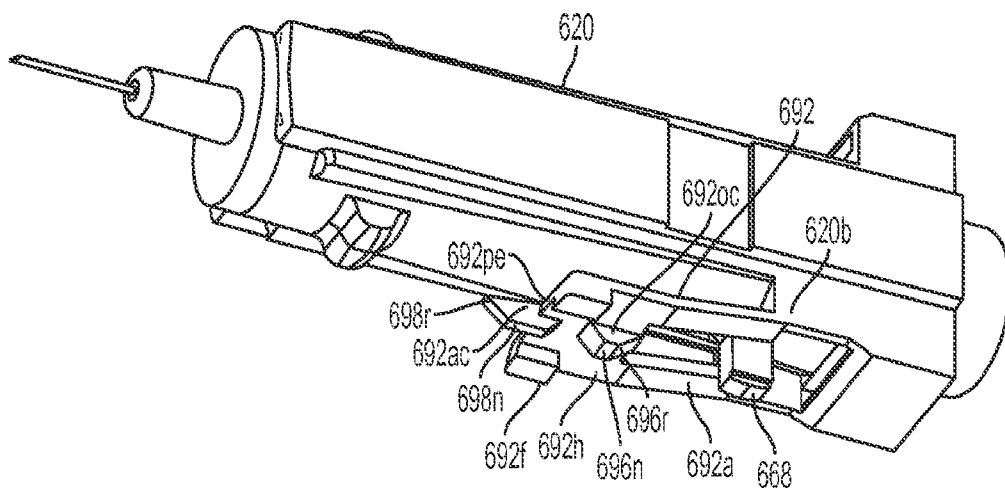


FIG. 6C

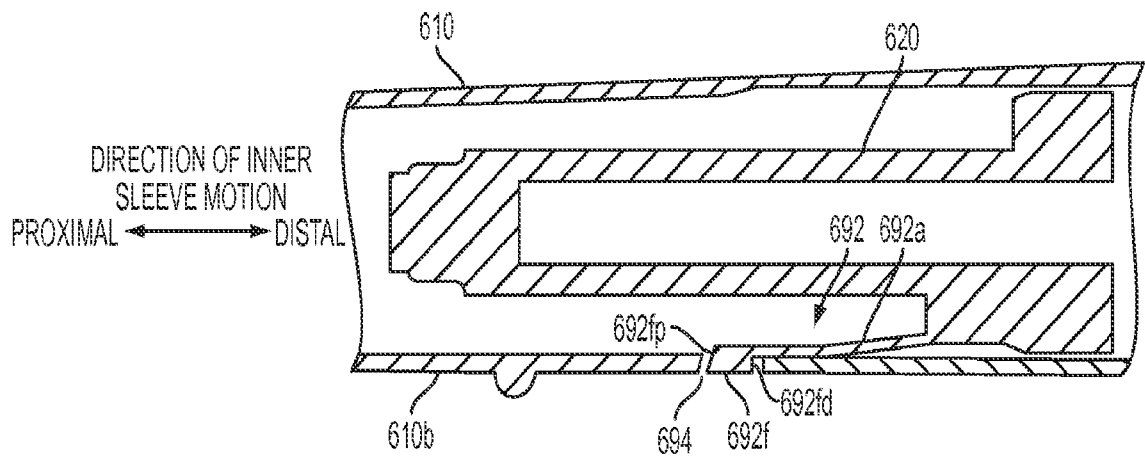


FIG. 6D

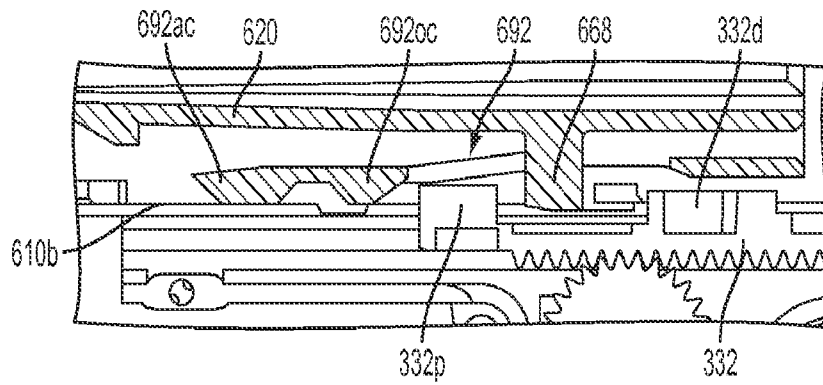


FIG. 7A

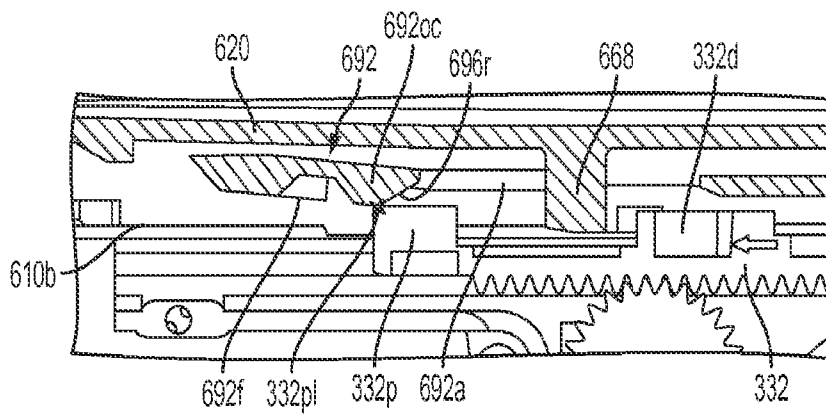


FIG. 7B

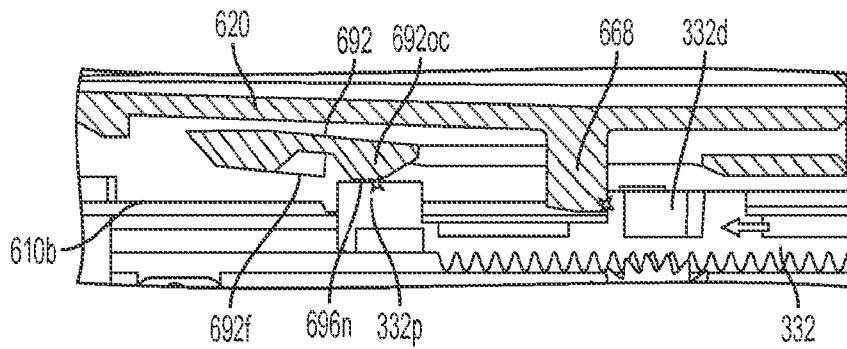


FIG. 7C

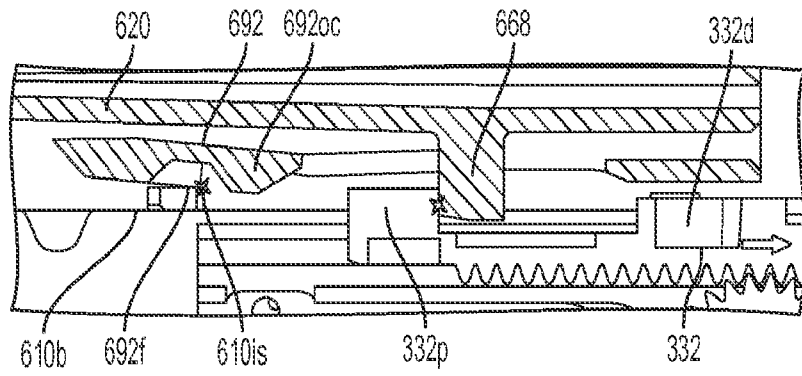


FIG. 7D

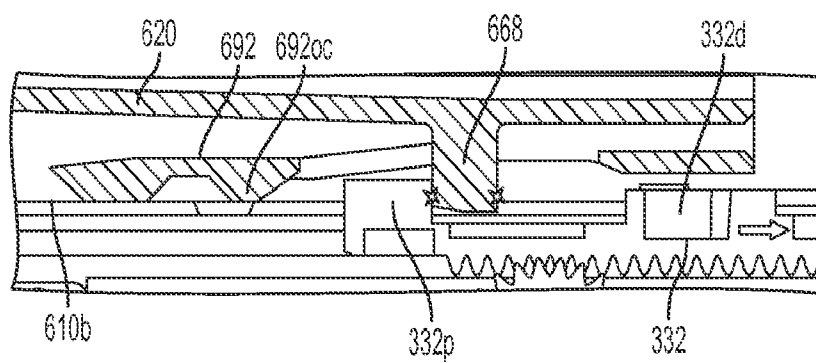


FIG. 7E

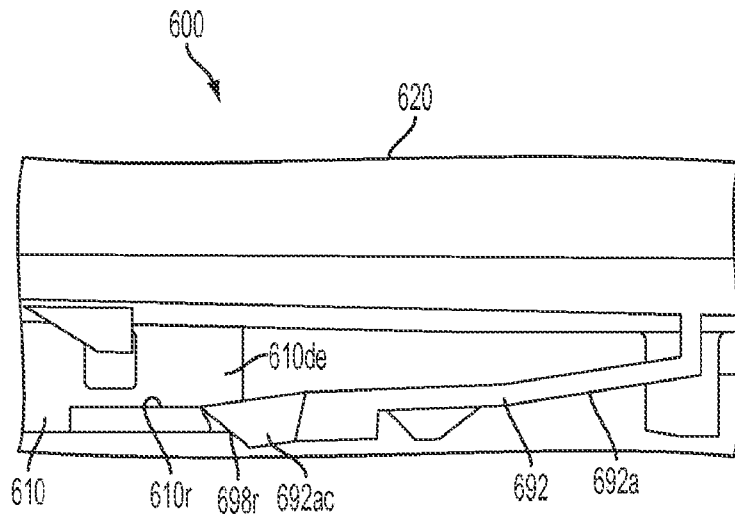


FIG. 8A

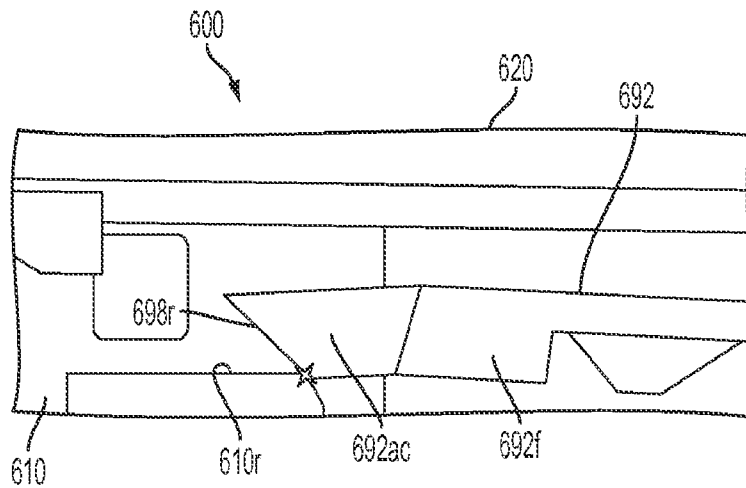


FIG. 8B

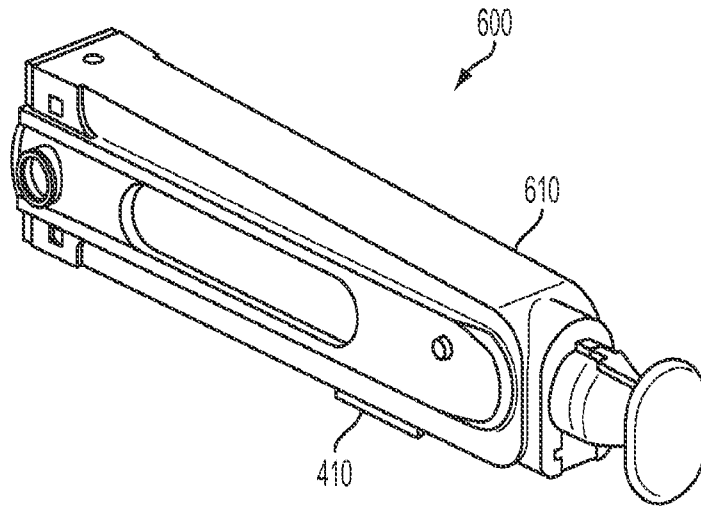


FIG. 9A

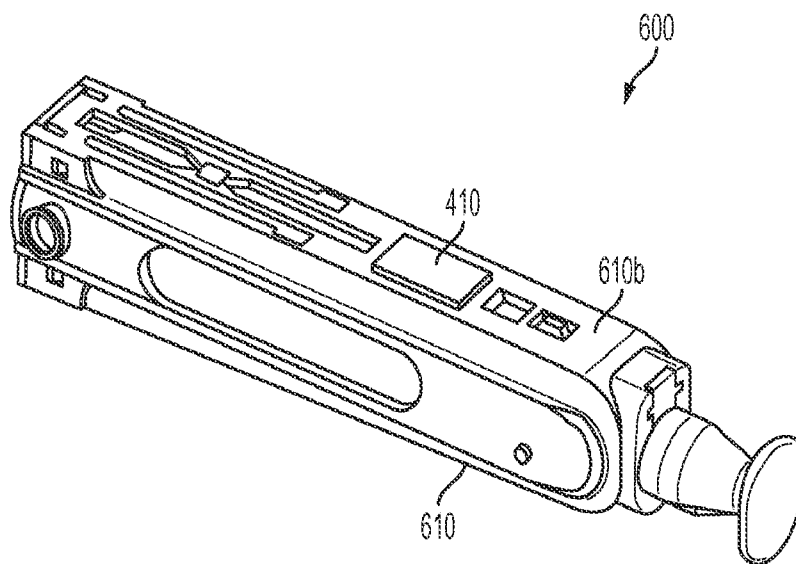


FIG. 9B

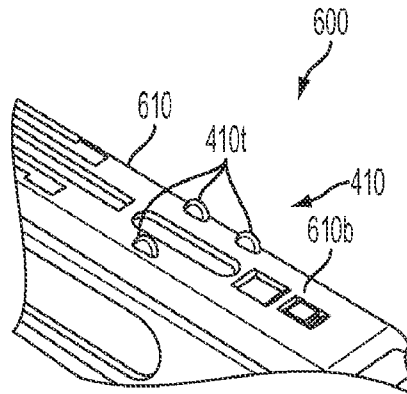


FIG. 10A

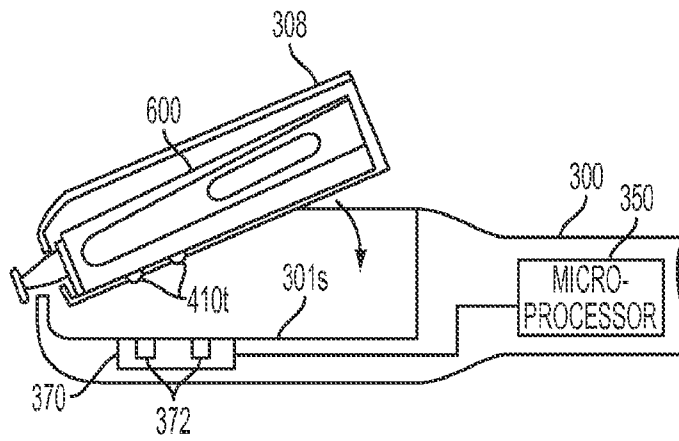


FIG. 10B

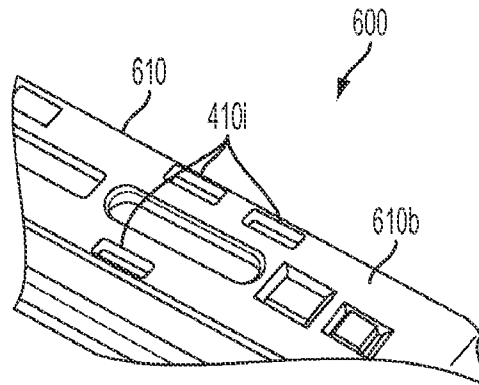


FIG. 11A

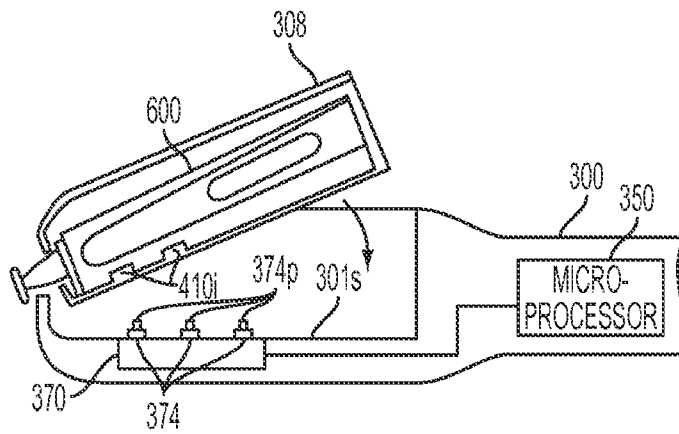


FIG. 11B

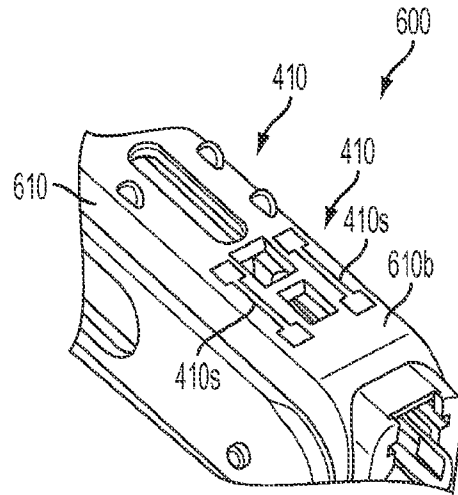


FIG. 12A

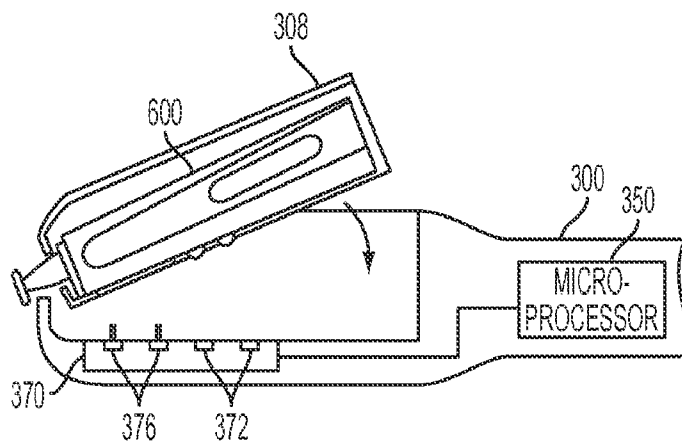


FIG. 12B

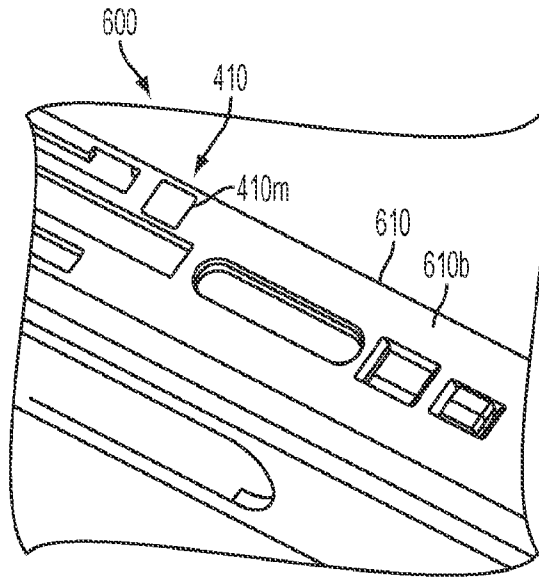


FIG. 13A

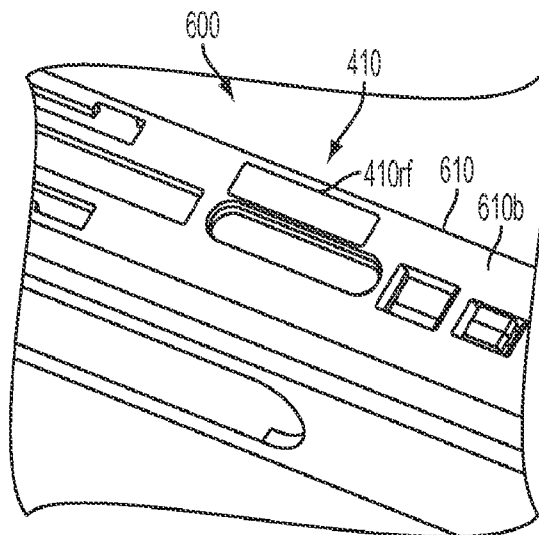


FIG. 13B

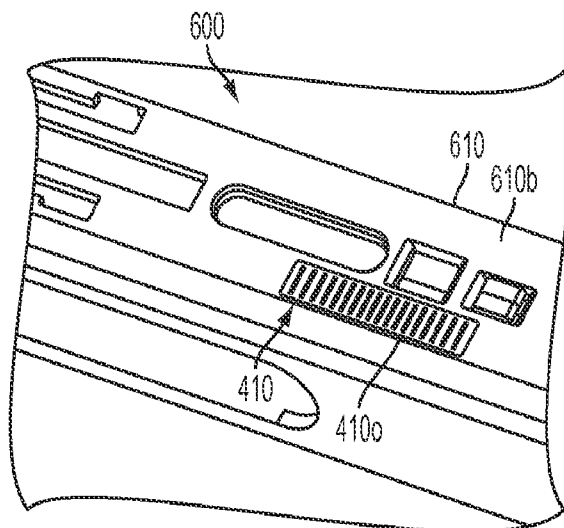


FIG. 13C

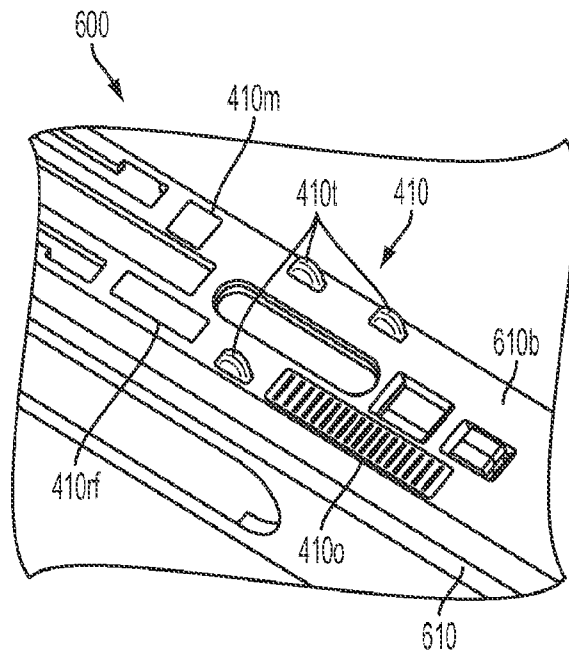


FIG. 13D

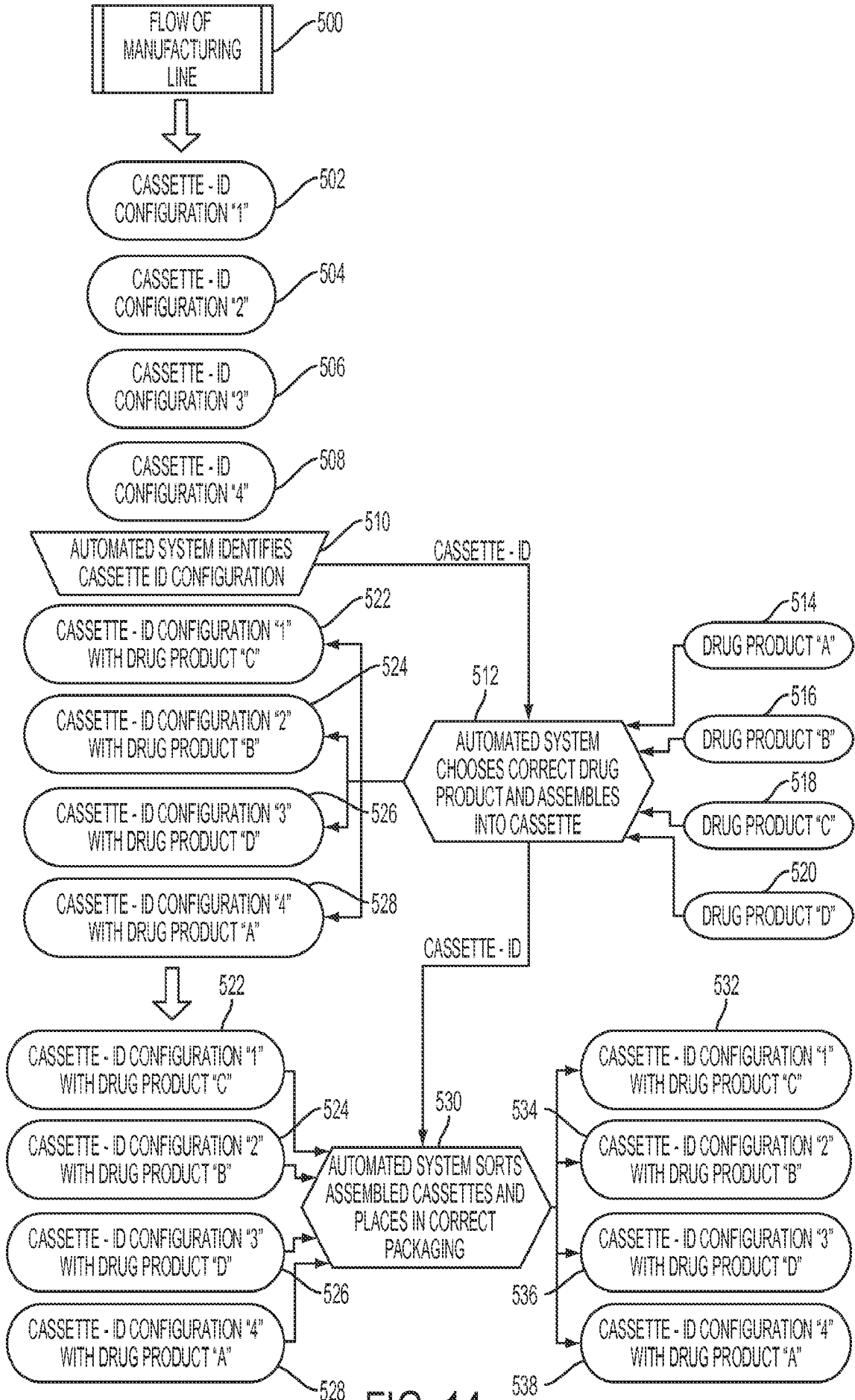


FIG. 14

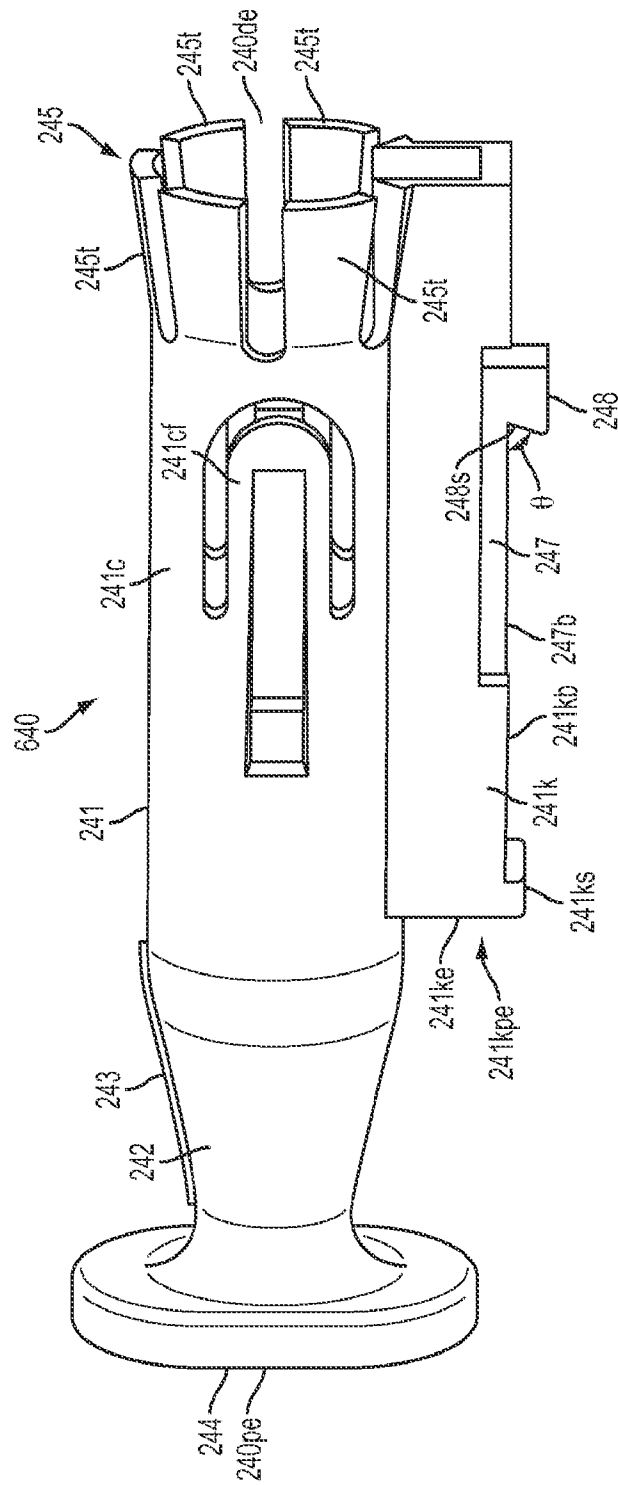


FIG. 15A

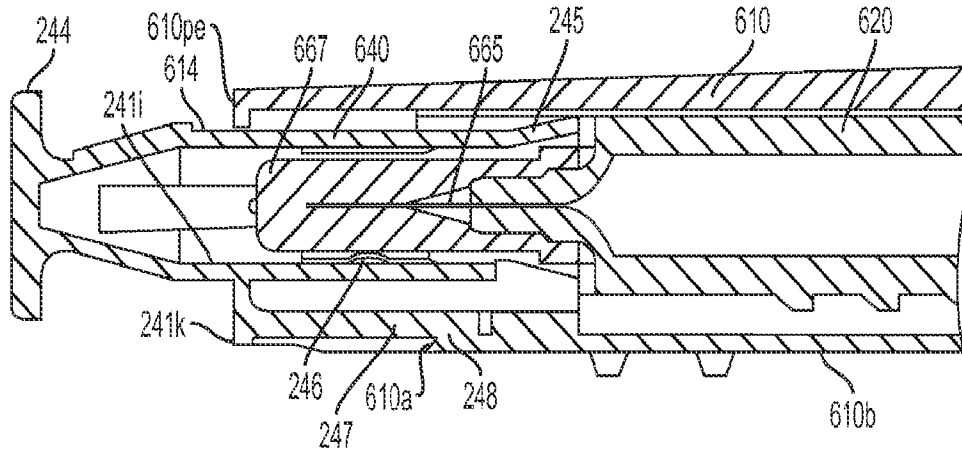


FIG. 15B

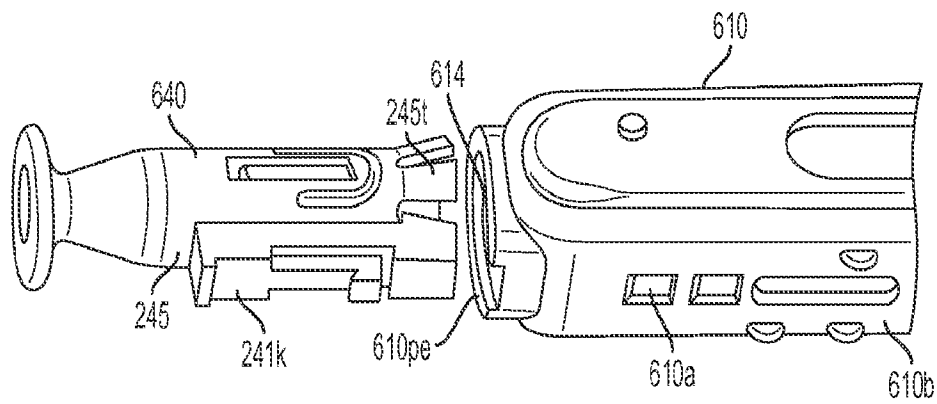


FIG. 15C

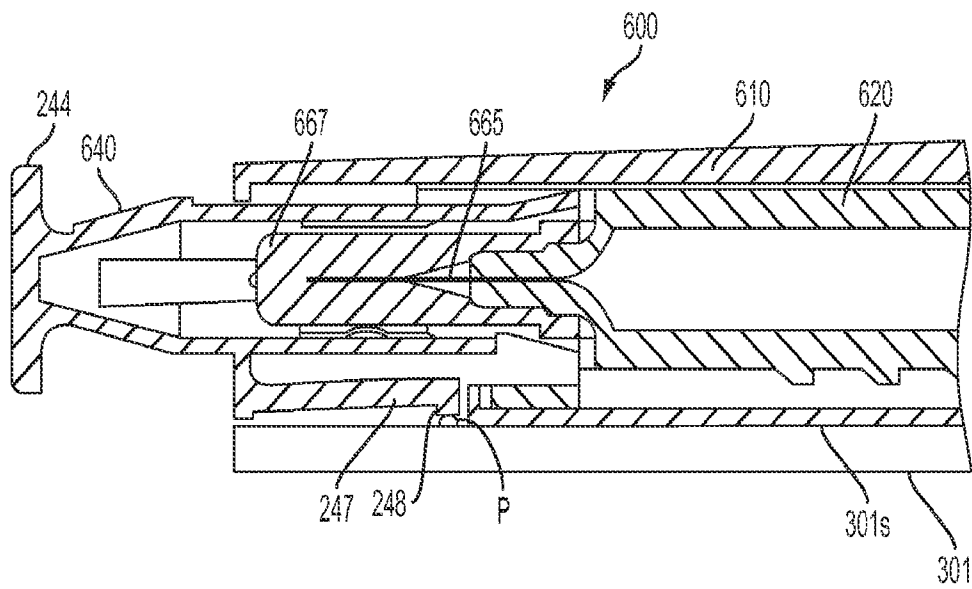


FIG. 15D

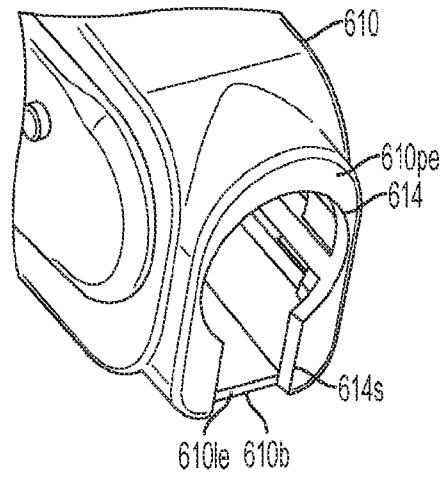


FIG. 16A

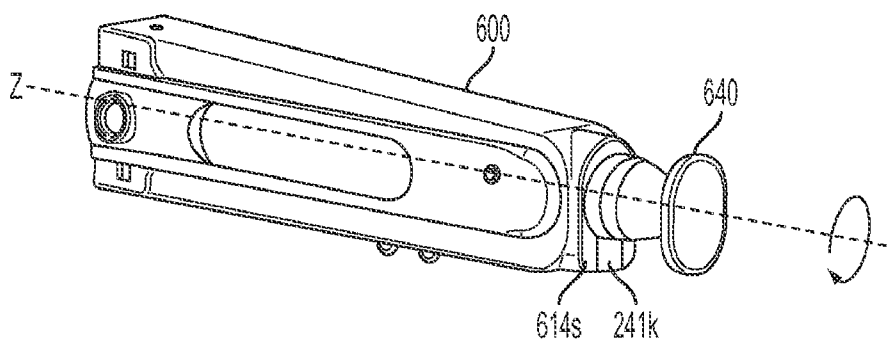


FIG. 16B

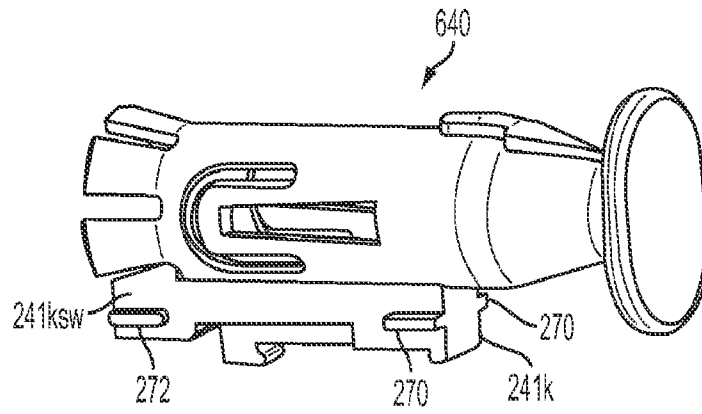


FIG. 17A

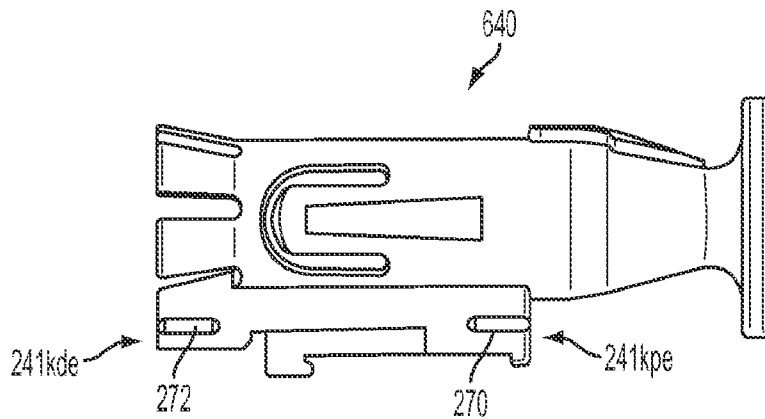


FIG. 17B

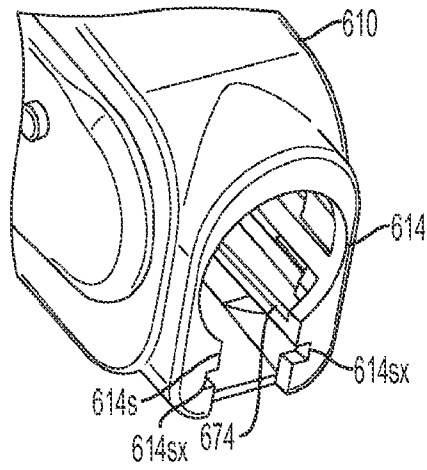


FIG. 18A

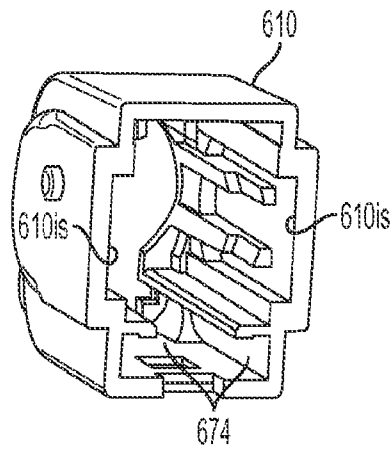


FIG. 18B

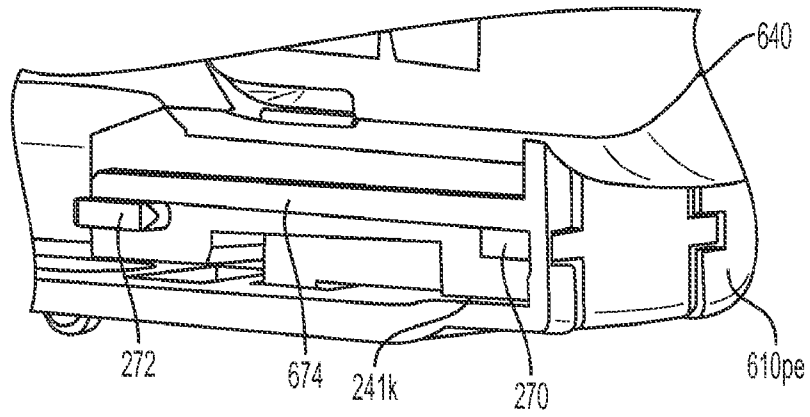


FIG. 19A

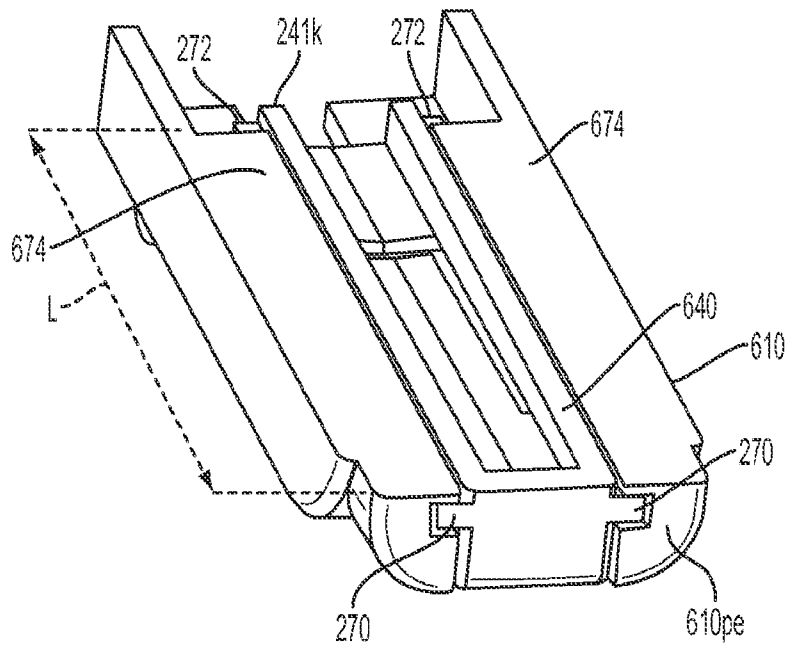


FIG. 19B

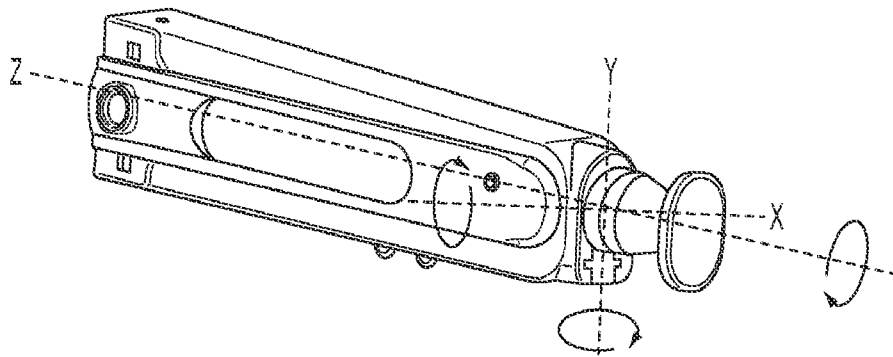


FIG. 20

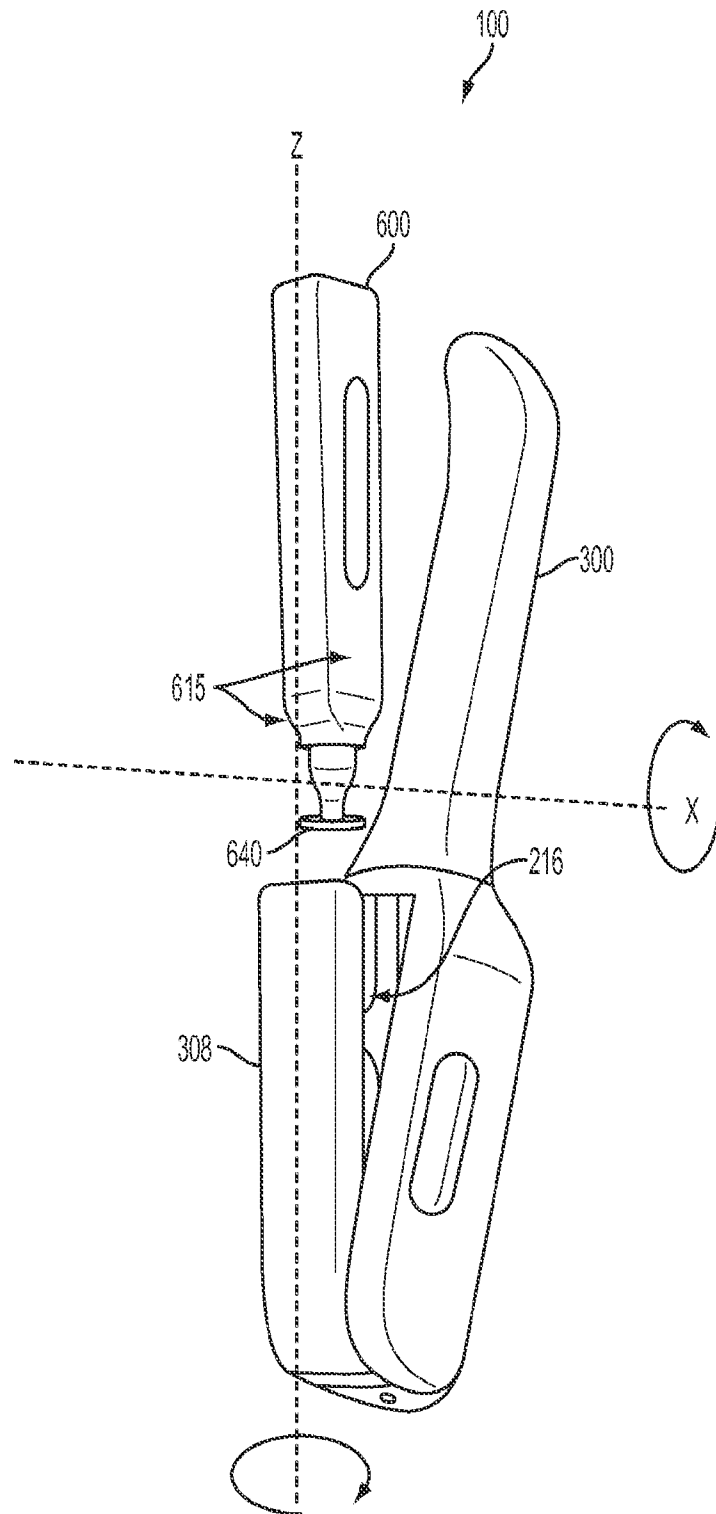


FIG. 21

INTERNATIONAL SEARCH REPORT

International application No.

PCT/US2014/028363

A. CLASSIFICATION OF SUBJECT MATTER

IPC(8) - A61M 5/178 (2014.01)

USPC - 604/154

According to International Patent Classification (IPC) or to both national classification and IPC

B. FIELDS SEARCHED

Minimum documentation searched (classification system followed by classification symbols)

IPC(8) - A61M 5/178, 5/28, 37/00 (2014.01)

USPC - 604/131, 136, 154, 156, 185

Documentation searched other than minimum documentation to the extent that such documents are included in the fields searched

CPC - A61M 5/20 (2014.07)

Electronic data base consulted during the international search (name of data base and, where practicable, search terms used)

PatBase, Google Patents, Google

C. DOCUMENTS CONSIDERED TO BE RELEVANT

Category*	Citation of document, with indication, where appropriate, of the relevant passages	Relevant to claim No.
X	US 2012/0101439 A9 (SLATE et al) 26 April 2012 (26.04.2012) entire document	1-14,16,17,20,67-74,77
----- Y		21-66
Y	US 2013/0018313 A1 (KRAMER et al) 17 January 2013 (17.01.2013) entire document	21-32
Y	US 8,226,610 B2 (EDWARDS et al) 24 July 2012 (24.07.2012) entire document	33-66
Y	US 2011/0152781 A1 (BRUNNBERG et al) 23 June 2011 (23.06.2011) entire document	35-41
A	US 6,270,479 B1 (BERGENS et al) 07 August 2001 (07.08.2001) entire document	1-74, 77
A	US 2011/0270220 A1 (GENOSAR) 03 November 2011 (03.11.2011) entire document	1-74, 77
A	US 2011/0092915 A1 (OLSON et al) 21 April 2011 (21.04.2011) entire document	1-74, 77

 Further documents are listed in the continuation of Box C.


* Special categories of cited documents:	"T" later document published after the international filing date or priority date and not in conflict with the application but cited to understand the principle or theory underlying the invention
"A" document defining the general state of the art which is not considered to be of particular relevance	"X" document of particular relevance; the claimed invention cannot be considered novel or cannot be considered to involve an inventive step when the document is taken alone
"E" earlier application or patent but published on or after the international filing date	"Y" document of particular relevance; the claimed invention cannot be considered to involve an inventive step when the document is combined with one or more other such documents, such combination being obvious to a person skilled in the art
"L" document which may throw doubts on priority claim(s) or which is cited to establish the publication date of another citation or other special reason (as specified)	"&" document member of the same patent family
"O" document referring to an oral disclosure, use, exhibition or other means	
"P" document published prior to the international filing date but later than the priority date claimed	

Date of the actual completion of the international search

25 July 2014

Date of mailing of the international search report

18 AUG 2014

Name and mailing address of the ISA/US

Mail Stop PCT, Attn: ISA/US, Commissioner for Patents
P.O. Box 1450, Alexandria, Virginia 22313-1450

Facsimile No. 571-273-3201

Authorized officer:

Blaine R. Copenheaver

PCT Helpdesk: 571-272-4300

PCT OSP: 571-272-7774

INTERNATIONAL SEARCH REPORT

International application No.

PCT/US2014/028363

Box No. II Observations where certain claims were found unsearchable (Continuation of item 2 of first sheet)

This international search report has not been established in respect of certain claims under Article 17(2)(a) for the following reasons:

1. Claims Nos.:
because they relate to subject matter not required to be searched by this Authority, namely:

2. Claims Nos.:
because they relate to parts of the international application that do not comply with the prescribed requirements to such an extent that no meaningful international search can be carried out, specifically:

3. Claims Nos.: 75 and 76
because they are dependent claims and are not drafted in accordance with the second and third sentences of Rule 6.4(a).

Box No. III Observations where unity of invention is lacking (Continuation of item 3 of first sheet)

This International Searching Authority found multiple inventions in this international application, as follows:

1. As all required additional search fees were timely paid by the applicant, this international search report covers all searchable claims.
2. As all searchable claims could be searched without effort justifying additional fees, this Authority did not invite payment of additional fees.
3. As only some of the required additional search fees were timely paid by the applicant, this international search report covers only those claims for which fees were paid, specifically claims Nos.:

4. No required additional search fees were timely paid by the applicant. Consequently, this international search report is restricted to the invention first mentioned in the claims; it is covered by claims Nos.:

Remark on Protest

- The additional search fees were accompanied by the applicant's protest and, where applicable, the payment of a protest fee.
- The additional search fees were accompanied by the applicant's protest but the applicable protest fee was not paid within the time limit specified in the invitation.
- No protest accompanied the payment of additional search fees.