



US00D891798S

(12) **United States Design Patent**
Dai

(10) **Patent No.:** **US D891,798 S**

(45) **Date of Patent:** **** *Aug. 4, 2020**

(54) **TELESCOPIC STOOL**

D233,714 S * 11/1974 Everard et al. D6/352
6,467,843 B1 * 10/2002 Rossborough A47C 3/34
108/150

(71) Applicant: **Shanghai Benxu Precision Mold Co., Ltd.**, Shanghai (CN)

7,195,102 B2 3/2007 Shai
(Continued)

(72) Inventor: **Xu-Guang Dai**, Shanghai (CN)

OTHER PUBLICATIONS

(73) Assignee: **Shanghai Benxu Precision Mold Co., Ltd.**, Shanghai (CN)

Mini Max Portable & Collapsible Stool. [online] Retrieved Oct. 15, 2019 from URL: https://www.bhphotovideo.com/c/product/1452458-REG/mini_max_85393400_stool_portable_collapsible.html?ap=y&smp=y&lsft=BI%3A514&gclid=E2%80%A6.*

(*) Notice: This patent is subject to a terminal disclaimer.

Primary Examiner — Vy N Koenig

(**) Term: **15 Years**

(74) *Attorney, Agent, or Firm* — ScienBiziP, P.C.

(21) Appl. No.: **29/720,009**

(22) Filed: **Jan. 9, 2020**

(57) **CLAIM**

The ornamental design for a telescopic stool, as shown and described.

Related U.S. Application Data

(63) Continuation-in-part of application No. 29/707,361, filed on Sep. 27, 2019, now Pat. No. Des. 873,042.

(51) **LOC (12) Cl.** **06-01**

(52) **U.S. Cl.**
USPC **D6/353; D6/335**

(58) **Field of Classification Search**
USPC D6/334, 349–353, 355, 364–365,
D6/691–691.9, 692–692.6, 709, 710,
D6/716–716.1, 716.5, 719, 329, 382, 392
CPC A47B 7/00–02; A47C 11/00; A47C 12/00;
A47C 13/00; A47C 16/00; A47C
16/02–04; A47C 9/00–105; A47K 17/02;
A47K 17/028

See application file for complete search history.

DESCRIPTION

FIG. 1 is a first perspective view of a telescopic stool, showing my design.

FIG. 2 is a second perspective view thereof.

FIG. 3 is a front elevation view thereof.

FIG. 4 is a rear elevation view thereof.

FIG. 5 is a left side elevation view thereof.

FIG. 6 is a right side elevation view thereof.

FIG. 7 is a top plan view thereof.

FIG. 8 is a bottom plan view thereof.

FIG. 9 is a reference view of the telescopic stool showing a status when the telescopic stool is folded up.

FIG. 10 is a reference view of the telescopic stool showing a status when the telescopic stool is folded up and a strap is unfastened from a cover of the telescopic stool.

FIG. 11 is an enlarged view of an area labeled 11 in FIG. 1.

FIG. 12 is an enlarged view of an area labeled 12 in FIG. 1; and,

(Continued)

(56) **References Cited**

U.S. PATENT DOCUMENTS

D207,708 S * 5/1967 Michals D6/352
3,715,996 A * 2/1973 Rolfshus A47B 3/10
297/311

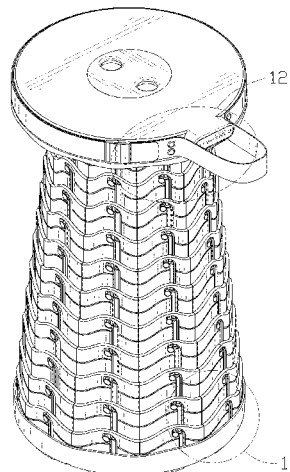


FIG. 13 is an enlarged view of an area labeled 13 in FIG. 3. The broken lines in the drawings depict details and portions of the telescopic stool that form no part of the claimed design.

1 Claim, 13 Drawing Sheets

(56)

References Cited

U.S. PATENT DOCUMENTS

D589,269	S	*	3/2009	Allende	D6/349
D671,757	S	*	12/2012	Walker	D6/349
D672,568	S		12/2012	Keeley		
D686,829	S	*	7/2013	Elmaleh	D6/352
D776,963	S	*	1/2017	Baylar	D6/692
D777,487	S	*	1/2017	Baylar	D6/692.3
D801,064	S	*	10/2017	Von Boetticher	D6/352
D809,309	S	*	2/2018	Theesfeld	D6/349
D809,809	S	*	2/2018	Theesfeld	D6/352
D812,919	S	*	3/2018	Kim	D6/352
D829,014	S	*	9/2018	Handler	D6/352
D830,710	S	*	10/2018	Harguth	D6/349
D843,745	S	*	3/2019	Walser	D6/349
D853,740	S	*	7/2019	Corey	D6/352
D873,042	S	*	1/2020	Dai	D6/353

* cited by examiner

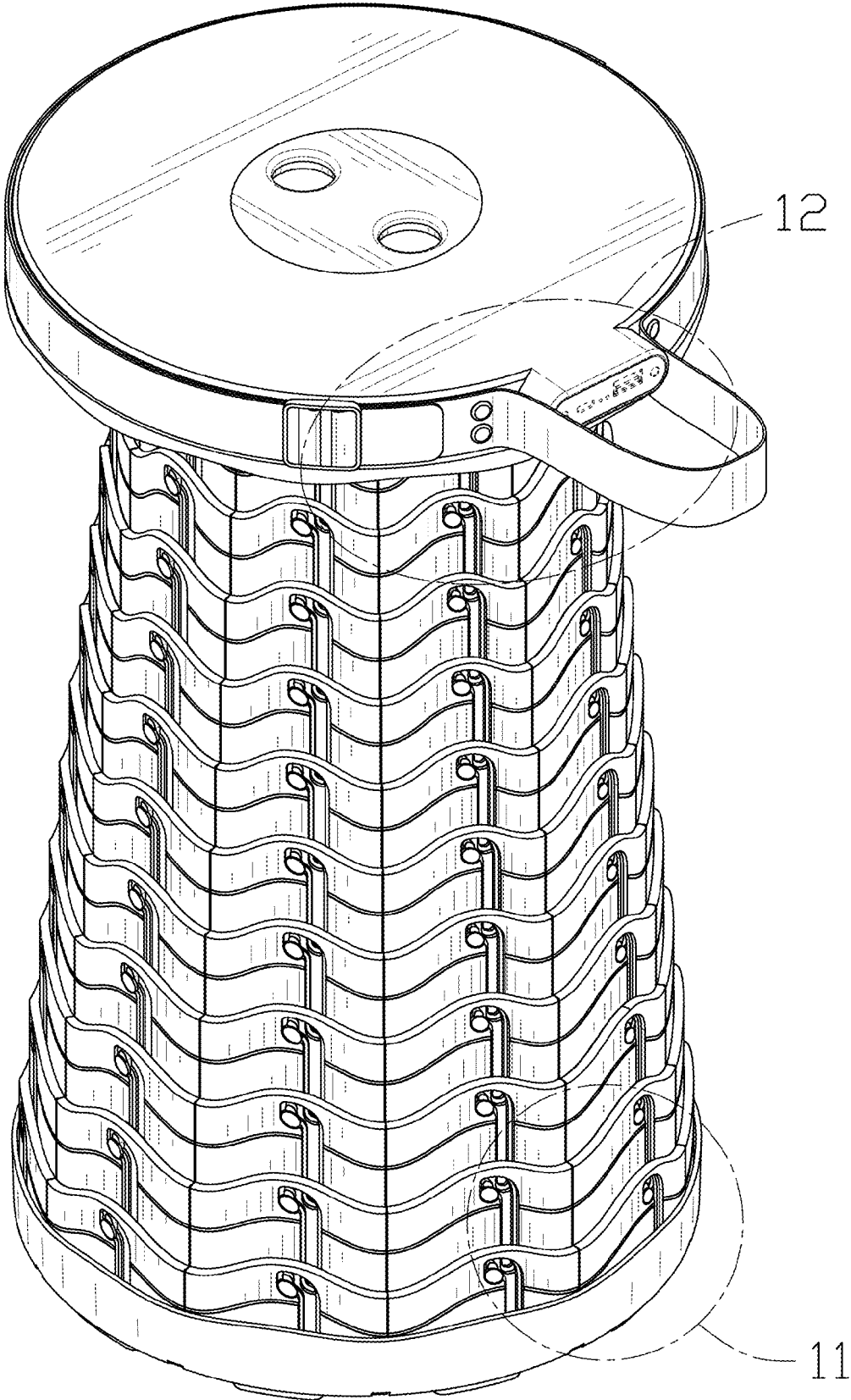


FIG. 1

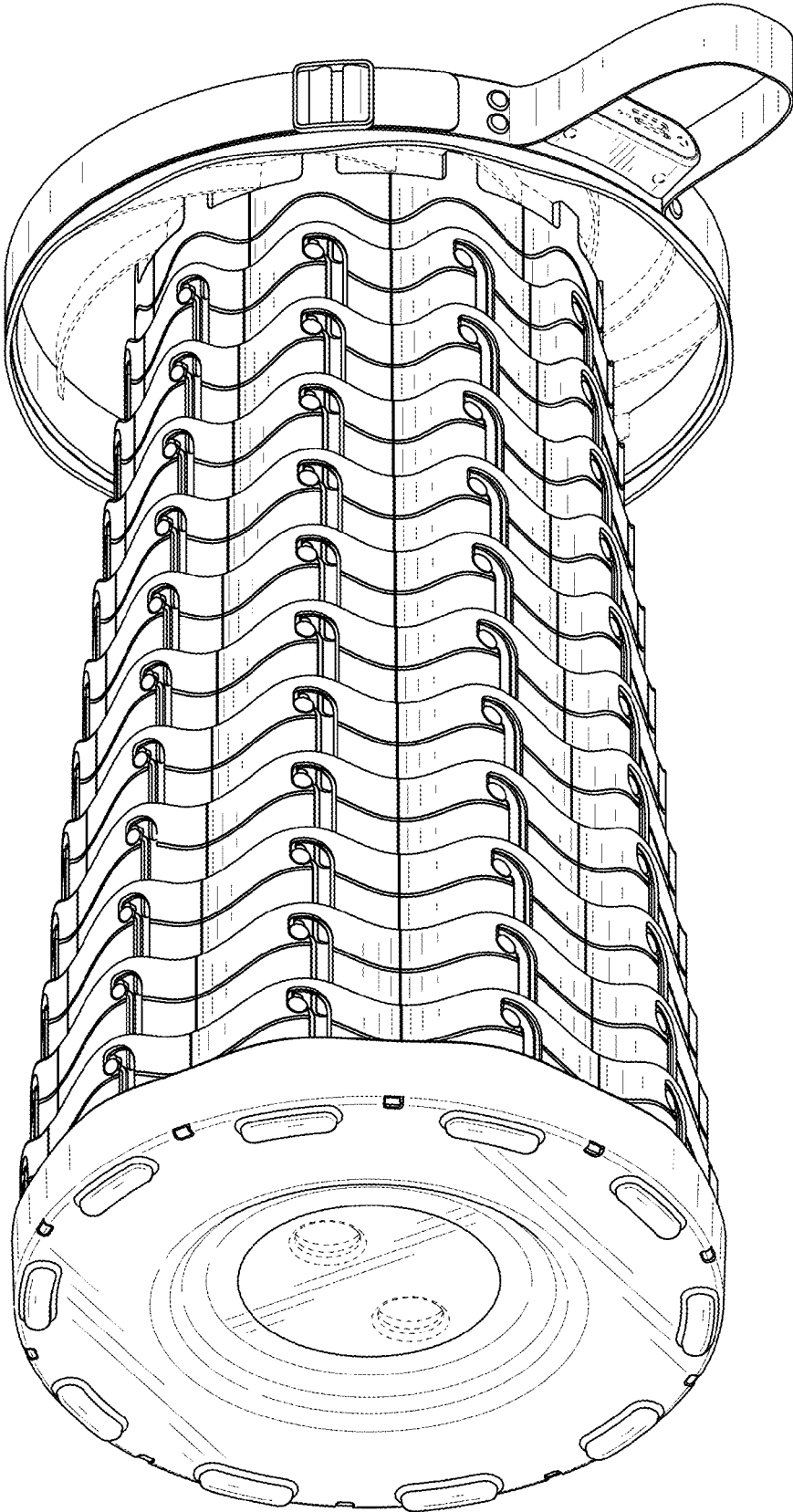


FIG. 2

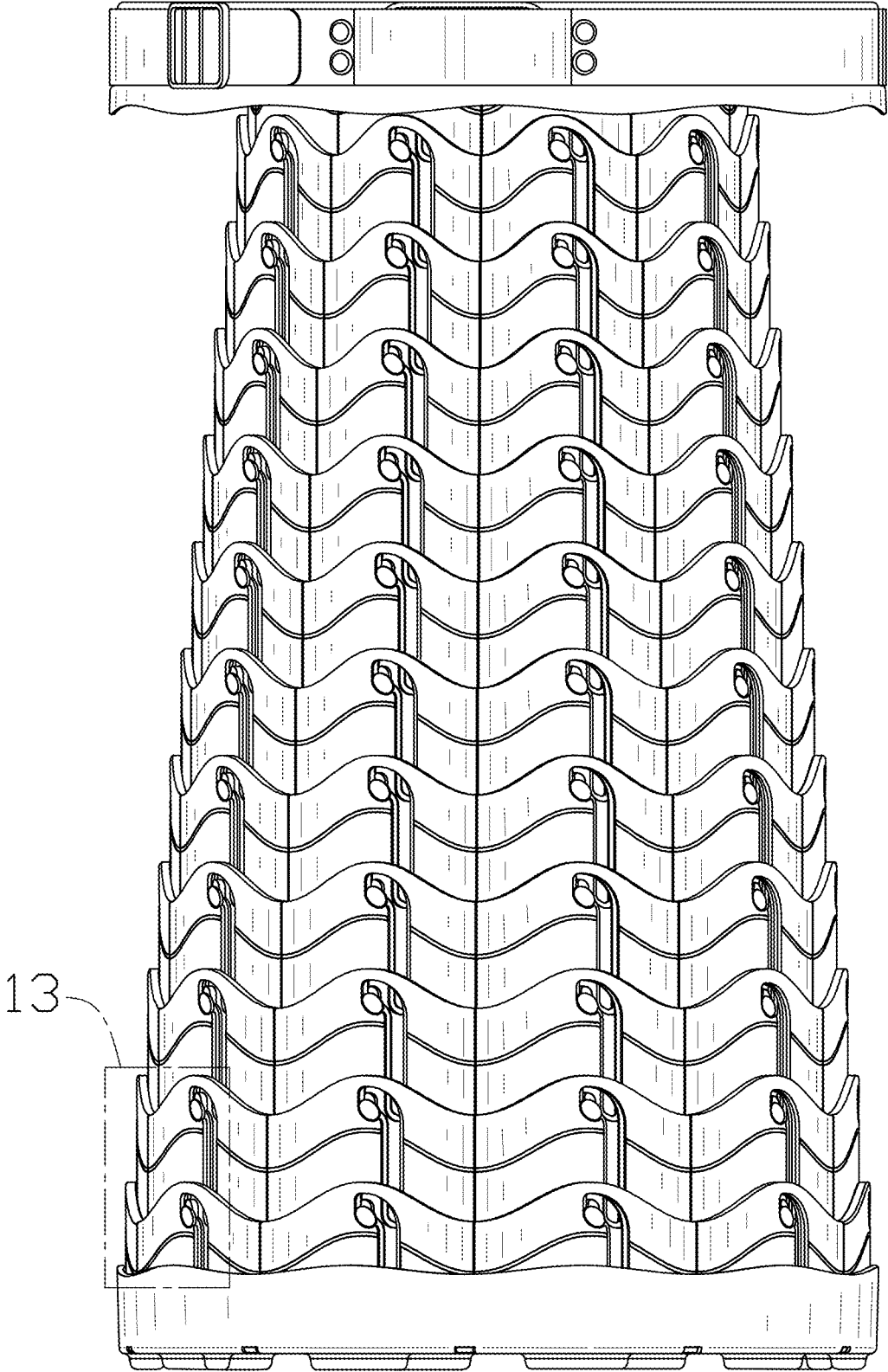


FIG. 3

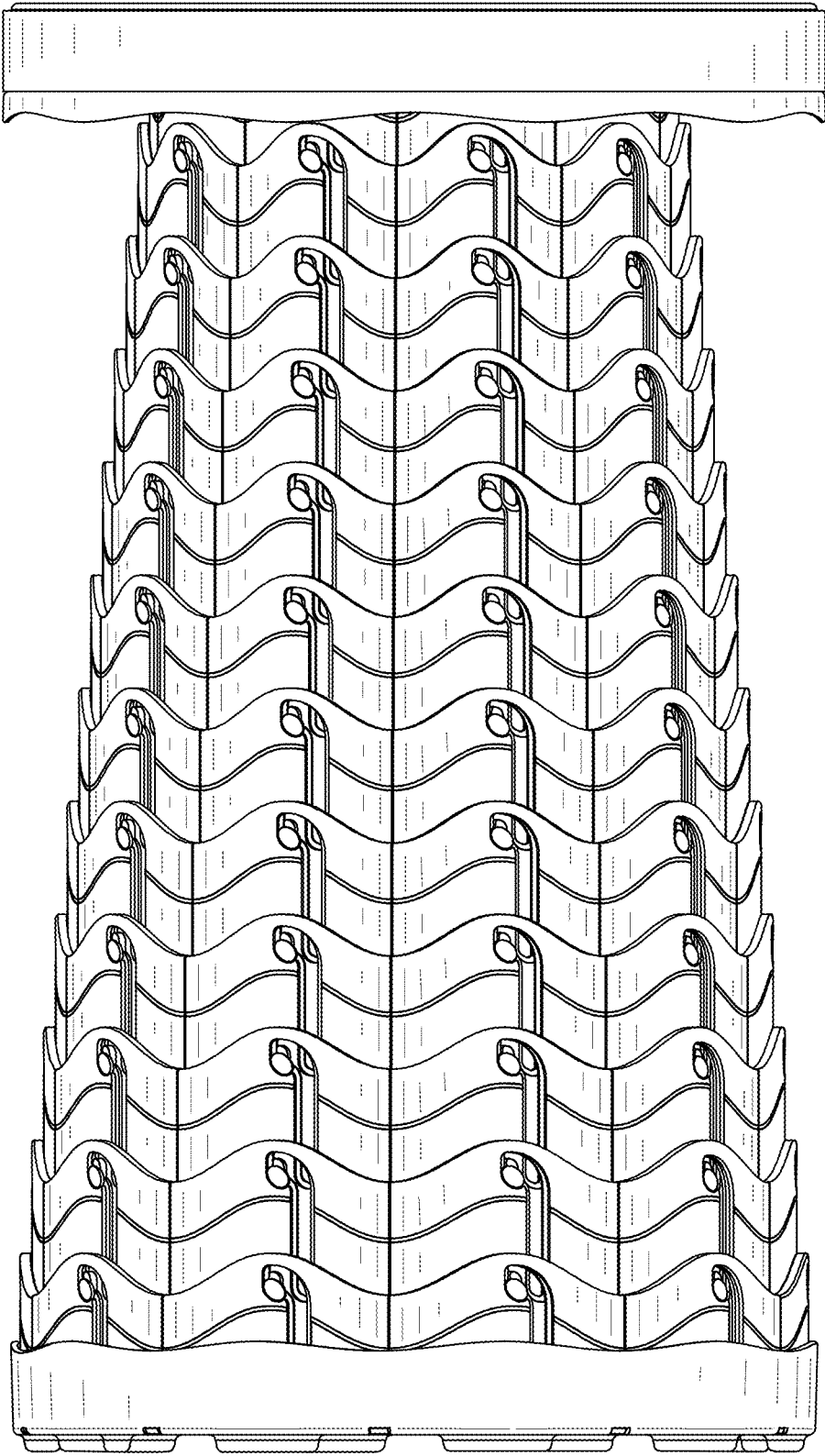


FIG. 4

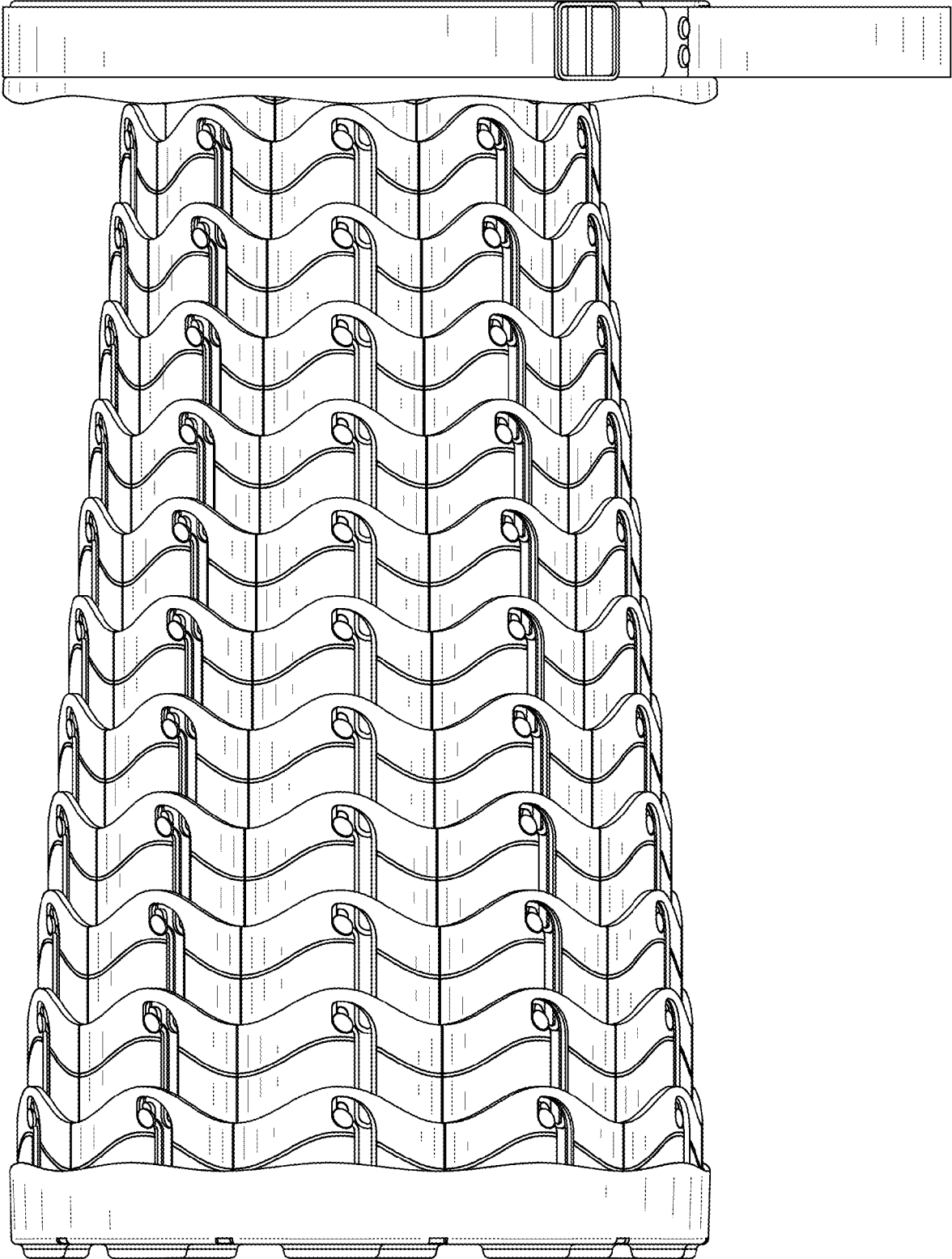


FIG. 5

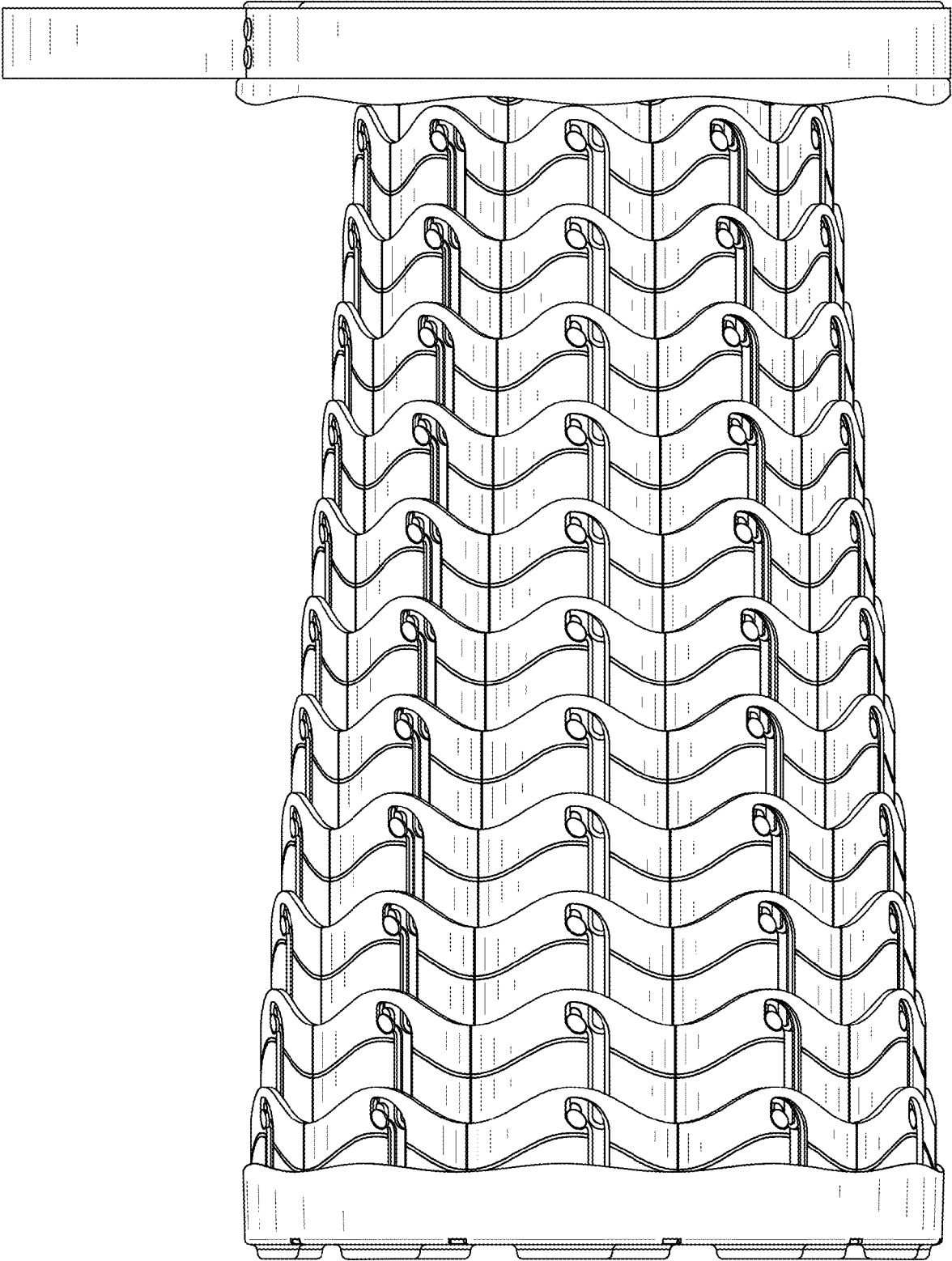


FIG. 6

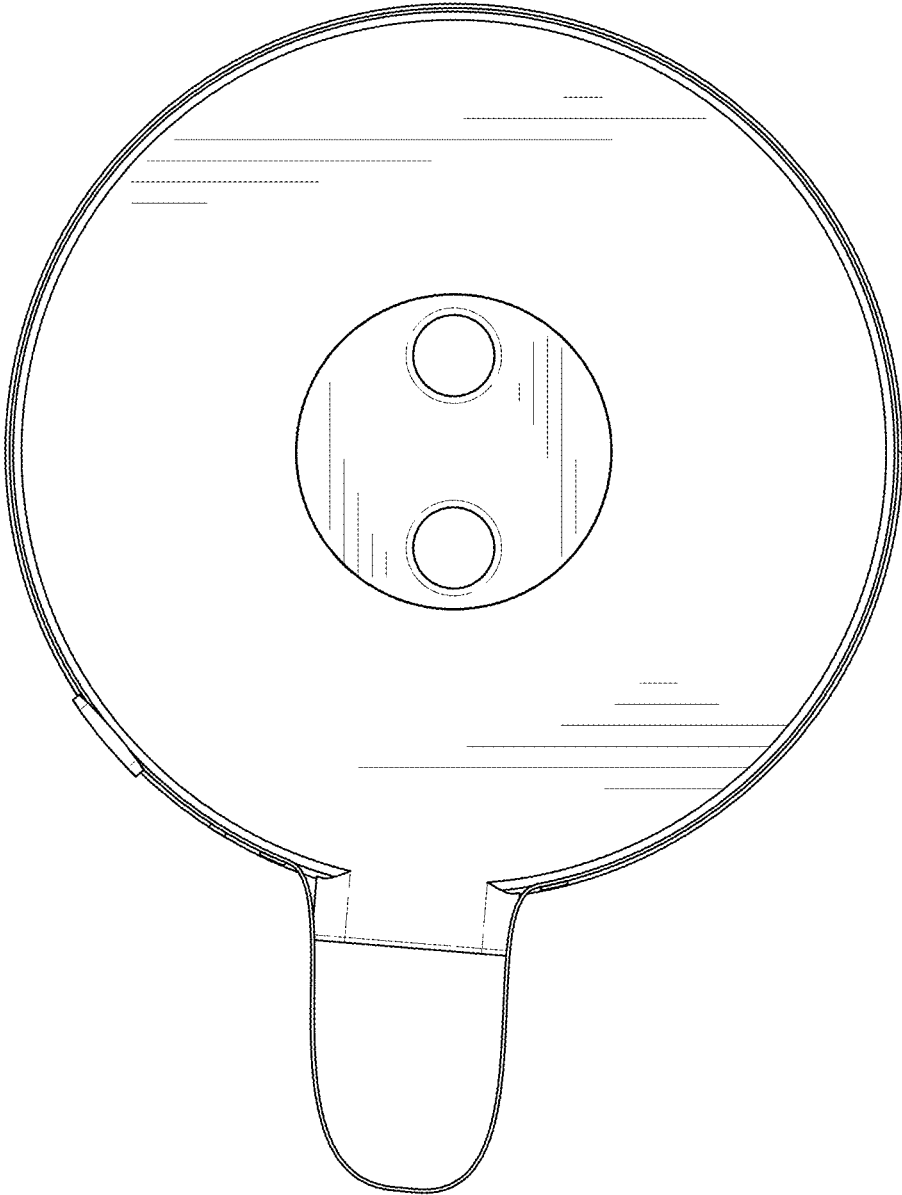


FIG. 7

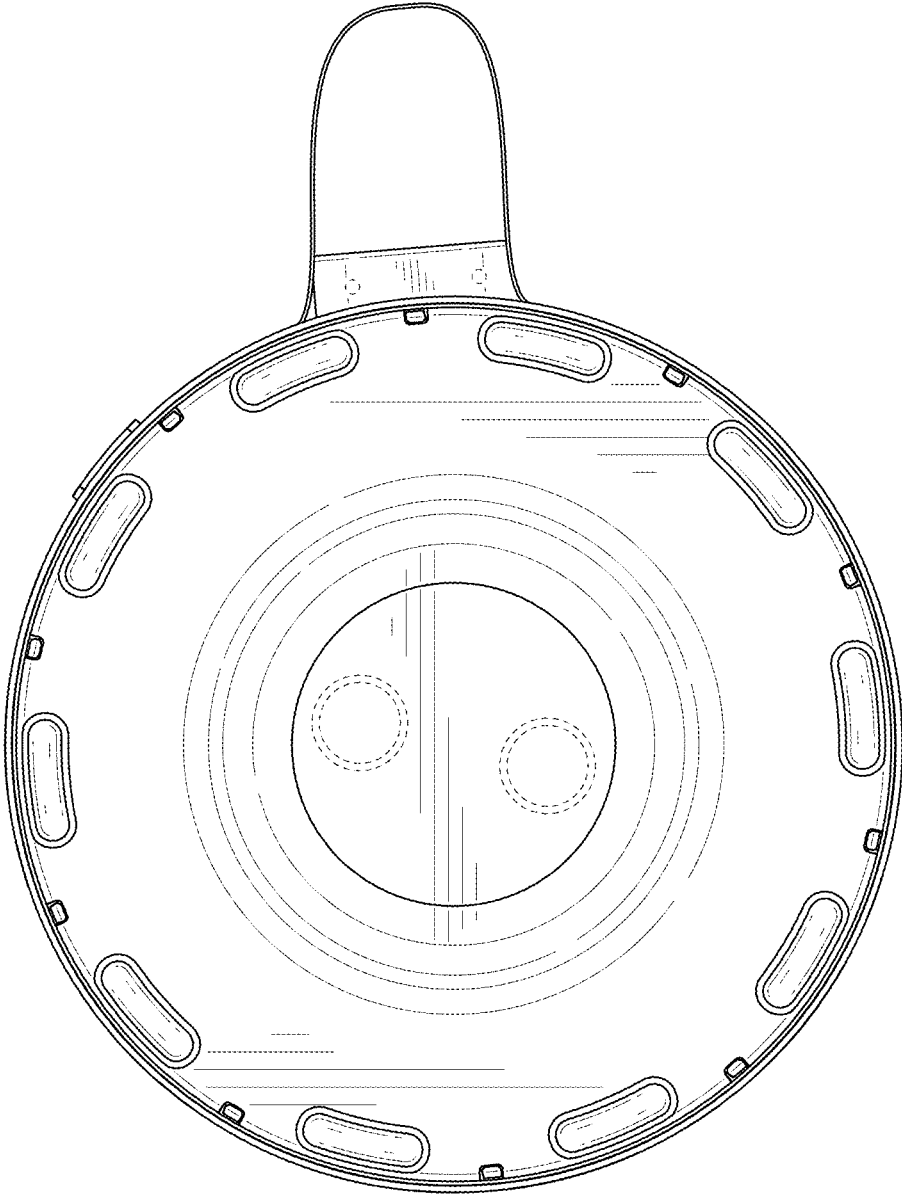


FIG. 8

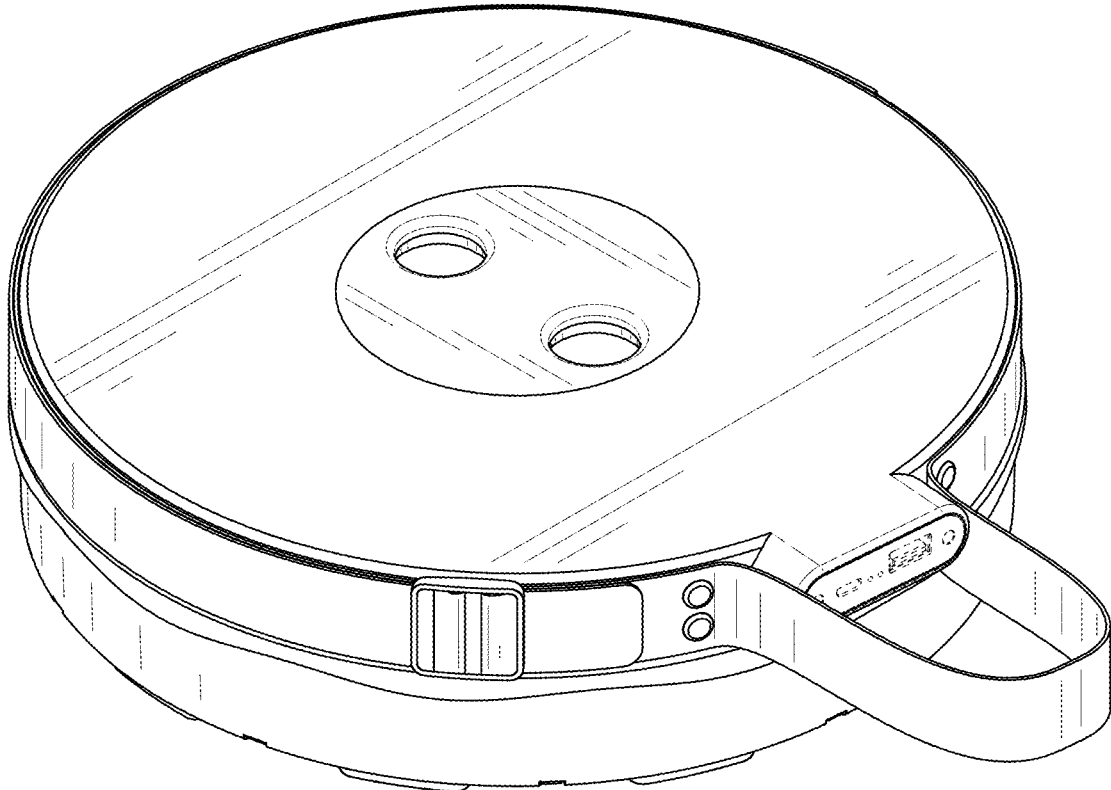


FIG. 9

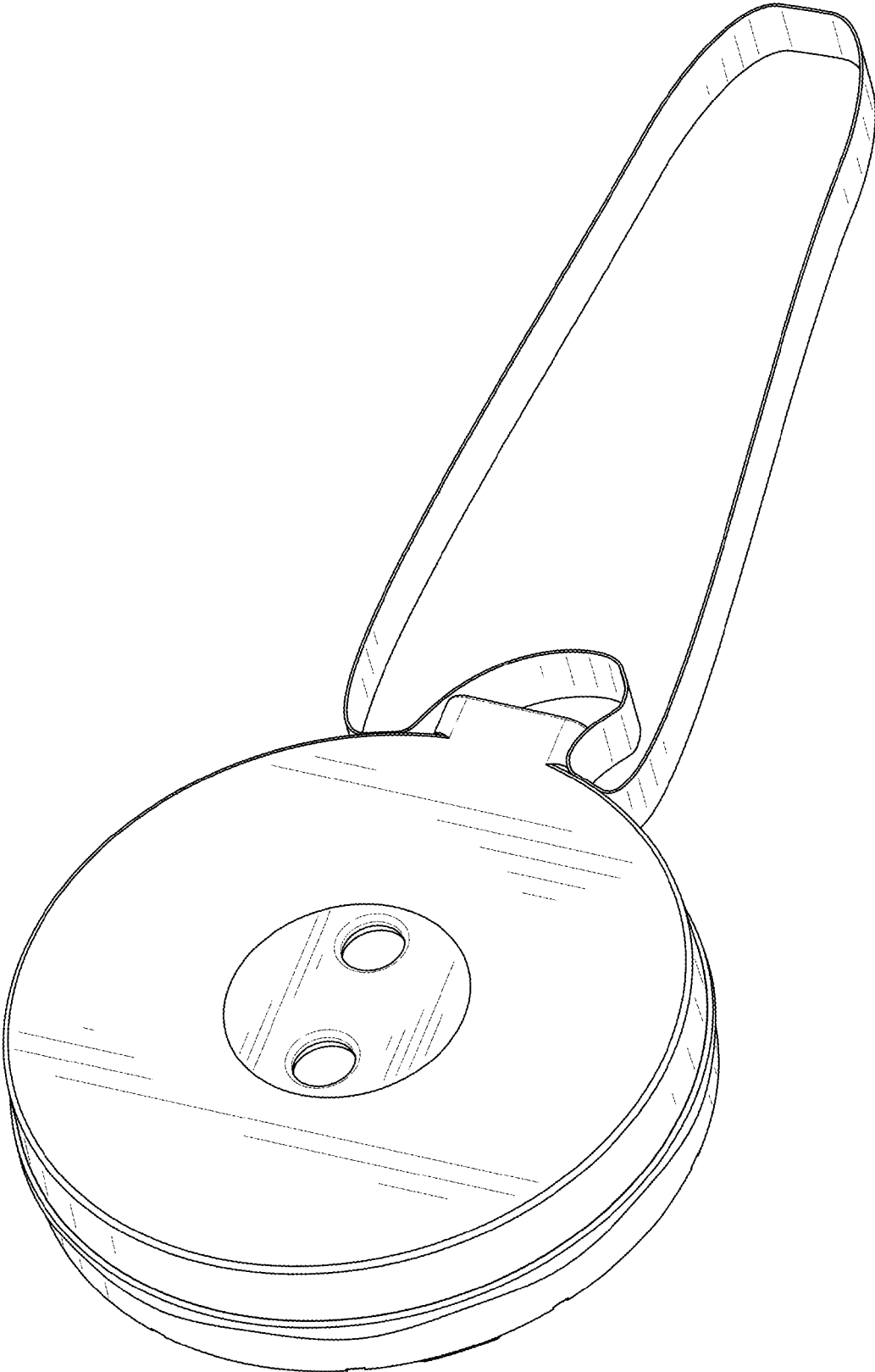


FIG. 10

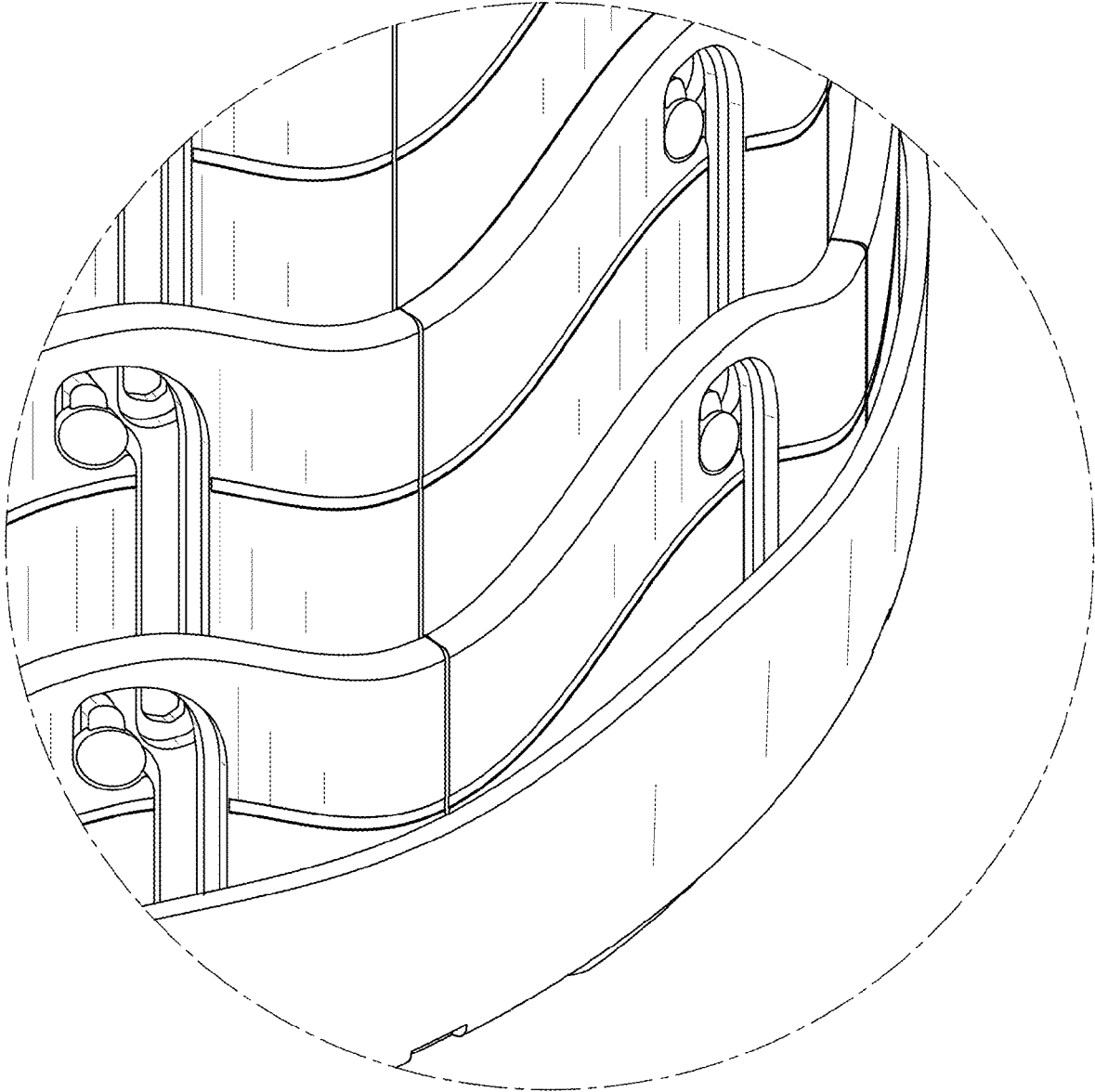


FIG. 11

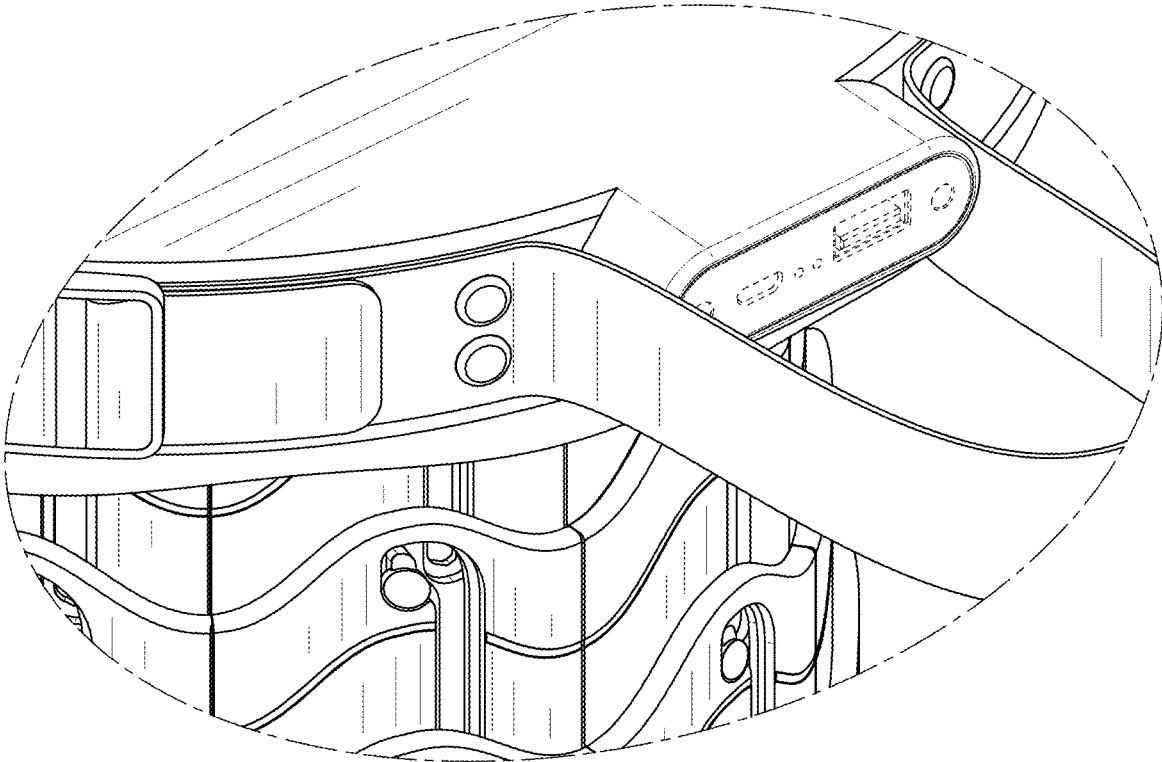


FIG. 12

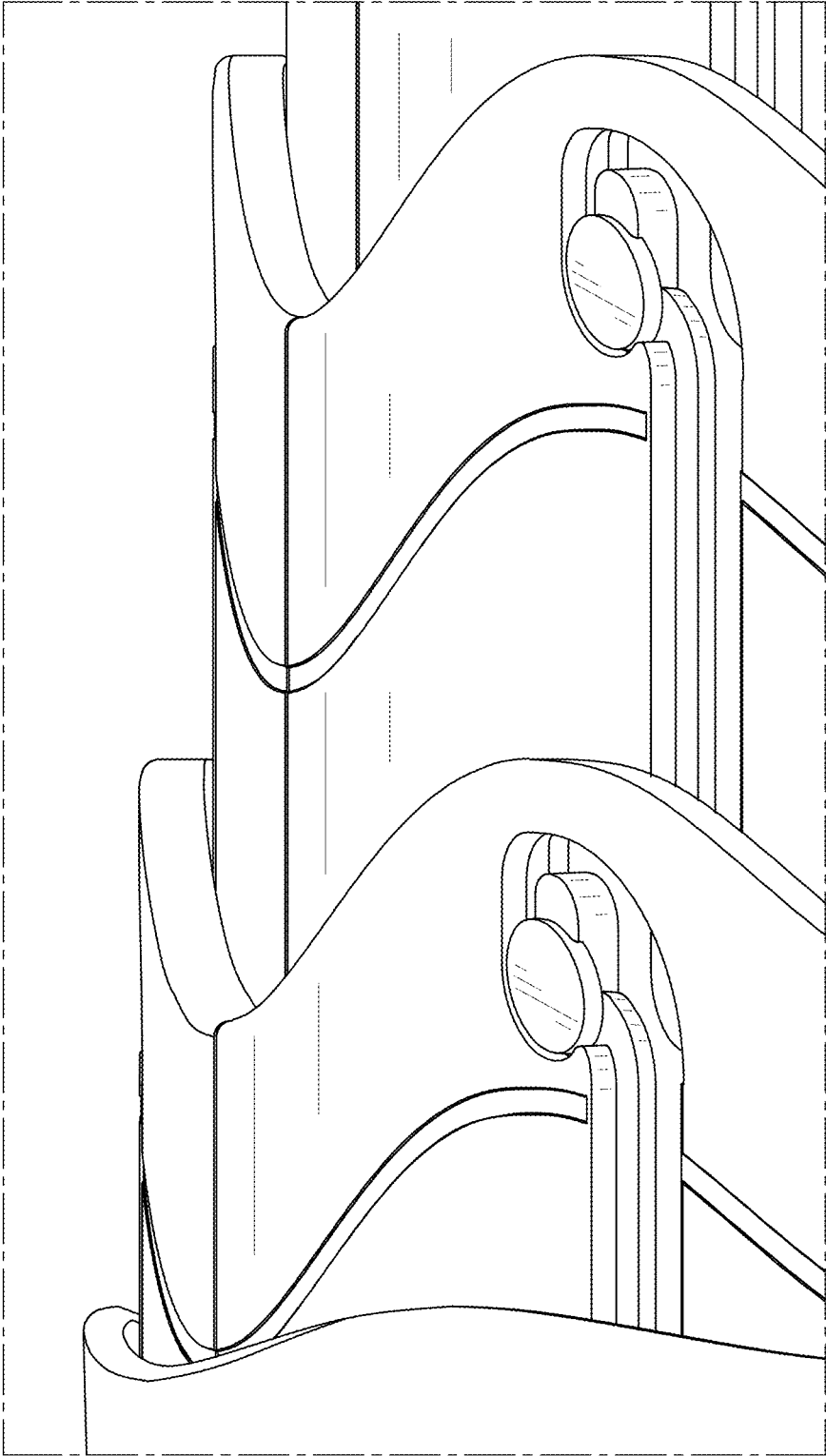


FIG. 13