



US00D739178S

(12) **United States Design Patent**
Wu

(10) **Patent No.:** **US D739,178 S**

(45) **Date of Patent:** **** Sep. 22, 2015**

(54) **WATER BOTTLE**

(71) Applicant: **SIENNA GROUP CORPORATION,**
Taichung (TW)

(72) Inventor: **Chen-Kuei Wu,** Taichung (TW)

(73) Assignee: **SIENNA GROUP CORPORATION,**
Taichung (TW)

(**) Term: **14 Years**

(21) Appl. No.: **29/499,517**

(22) Filed: **Aug. 15, 2014**

(51) **LOC (10) Cl.** **07-01**

(52) **U.S. Cl.**

USPC **D7/510; D7/511; D12/411; D12/114**

(58) **Field of Classification Search**

USPC **D7/523, 532, 507, 509, 514, 515, 524,**
D7/516, 519, 533, 535, 536, 525, 610.2,
D7/606, 529, 510, 511, 300.1; 220/713,
220/703, 592.16; 215/382; D12/411, 114;
248/311.2, 230.1; 224/414
CPC **A47G 19/2205; A47J 39/00; B65H 75/40;**
B65D 25/24

See application file for complete search history.

(56) **References Cited**

U.S. PATENT DOCUMENTS

3,741,429 A * 6/1973 Purcell et al. 220/475
3,777,955 A * 12/1973 Davies 224/425
4,095,812 A * 6/1978 Rowe 280/288.4
4,386,721 A * 6/1983 Shimano 224/414

D271,852 S * 12/1983 Kimura D12/411
4,441,638 A * 4/1984 Shimano 224/414
4,998,652 A * 3/1991 Champagne 224/414
D316,389 S * 4/1991 Wood et al. D12/411
D319,421 S * 8/1991 Kerezman D12/411
D340,217 S * 10/1993 Delage et al. D12/411
5,788,134 A * 8/1998 Matic, Jr. 224/414
6,401,997 B1 * 6/2002 Smerdon, Jr. 224/414
6,457,691 B1 * 10/2002 Kao 248/311.2
6,953,135 B2 * 10/2005 Litton et al. 224/414
D511,604 S * 11/2005 Moritz et al. D99/5
D580,772 S * 11/2008 Lepoitevin D9/561
D583,626 S * 12/2008 Toth et al. D7/510
D588,856 S * 3/2009 Toth et al. D7/313
8,777,075 B2 * 7/2014 Bretl et al. 224/414
D716,657 S * 11/2014 Cancer D9/443

* cited by examiner

Primary Examiner — Marianne Pandozzi

(74) *Attorney, Agent, or Firm* — Jackson IPG PLLC;
Demian K. Jackson

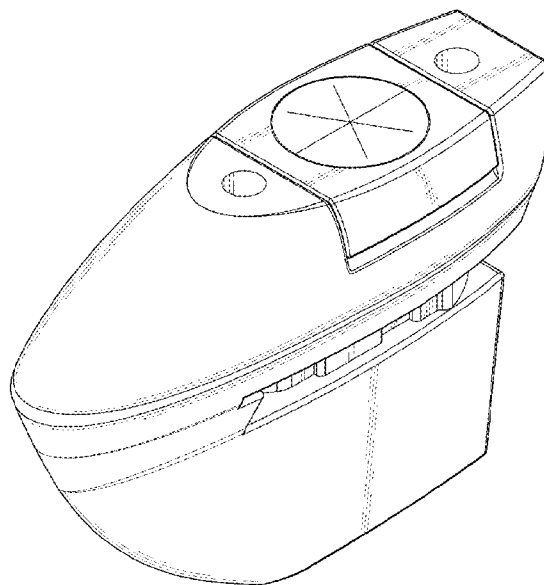
(57) **CLAIM**

The ornamental design for a water bottle, as shown and described.

DESCRIPTION

FIG. 1 a perspective view of a water bottle showing my new design;
FIG. 2 is a front elevation view thereof;
FIG. 3 is a rear elevation view thereof;
FIG. 4 is a left side view thereof;
FIG. 5 is a right side view thereof;
FIG. 6 is a top plan view thereof; and,
FIG. 7 is a bottom plan view thereof.

1 Claim, 7 Drawing Sheets



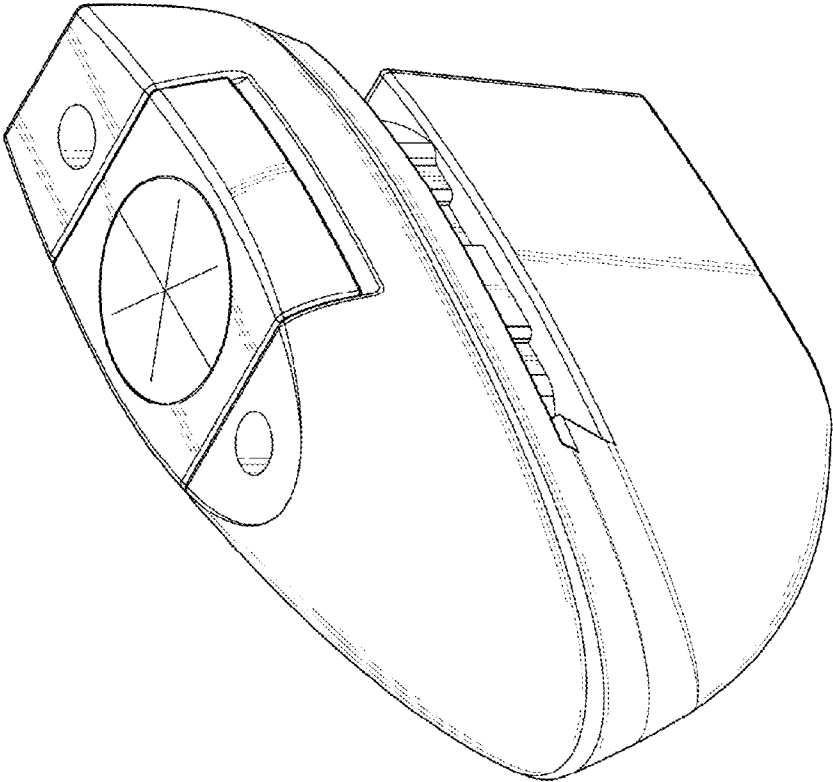


Fig . 1

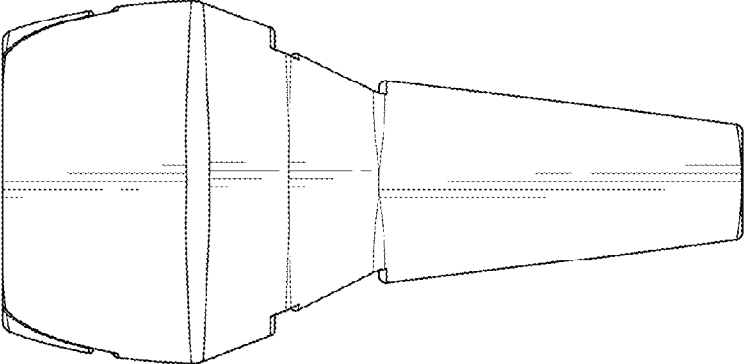


Fig. 2

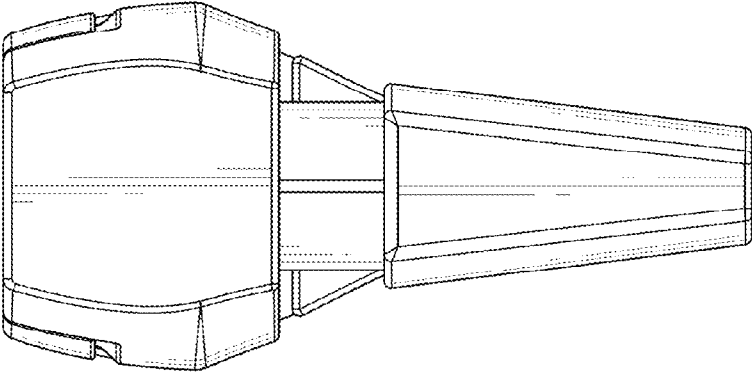


Fig. 3

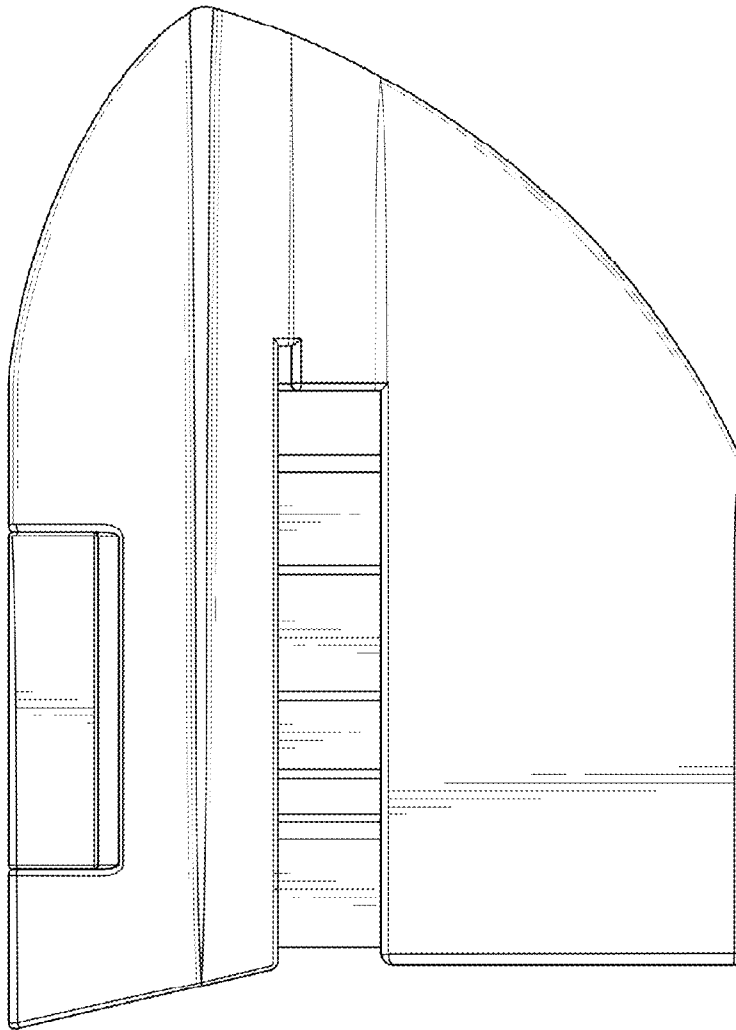


Fig. 4

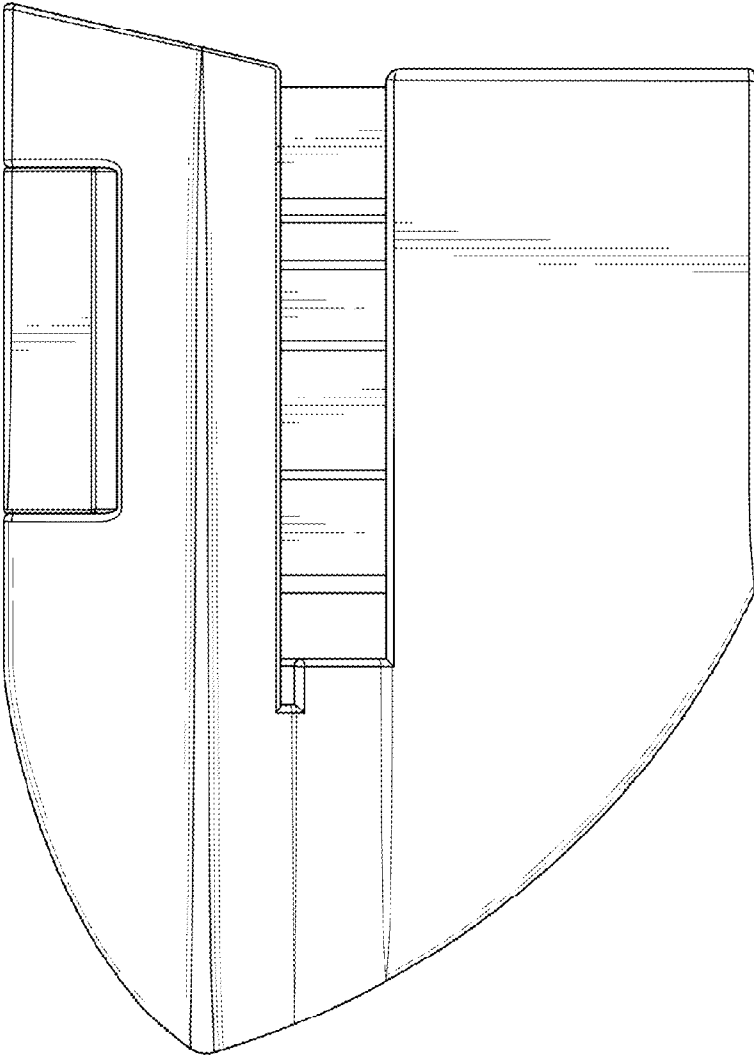


Fig . 5

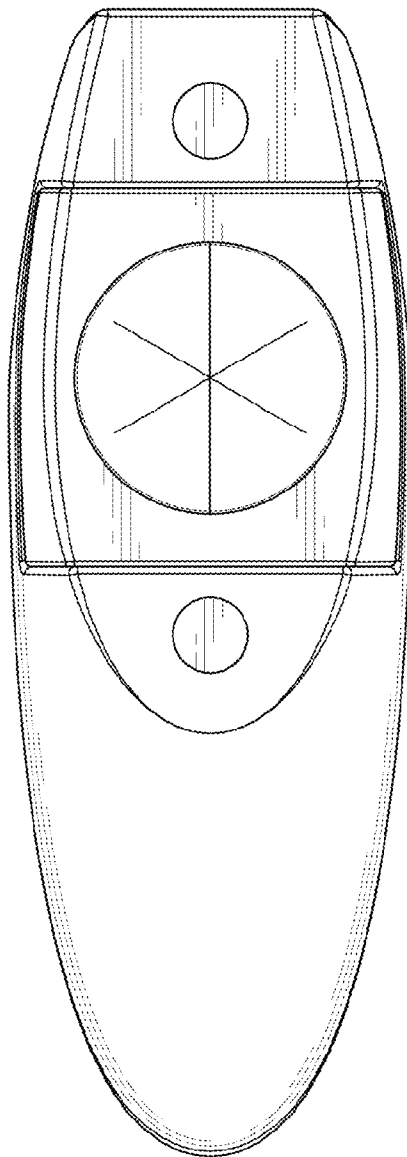


Fig . 6

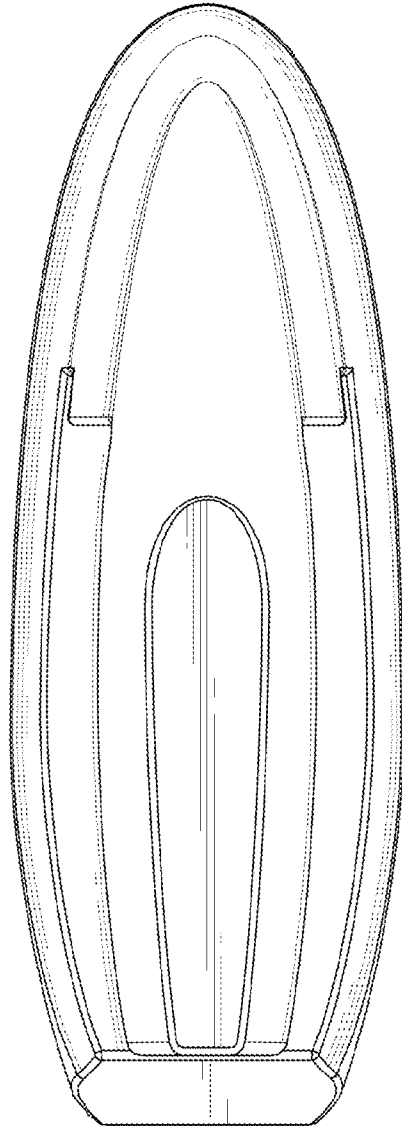


Fig . 7