



US00D740902S

(12) **United States Design Patent**
Albert

(10) **Patent No.:** **US D740,902 S**

(45) **Date of Patent:** **** Oct. 13, 2015**

(54) **FLOOR AND BEAM BACK HANDSPRING TRAINING APPARATUS**

(71) Applicant: **Endless Mountains Gymnastics, LLC**,
Wyalusing, PA (US)

(72) Inventor: **Damon B. Albert**, Wyalusing, PA (US)

(73) Assignee: **ENDLESS MOUNTAINS GYMNASTICS, LLC**, Wyalusing, PA (US)

(**) Term: **14 Years**

(21) Appl. No.: **29/498,659**

(22) Filed: **Aug. 6, 2014**

(51) **LOC (10) Cl.** **21-02**

(52) **U.S. Cl.**
USPC **D21/797**

(58) **Field of Classification Search**
USPC D7/698, 699, 553.4, 555; D6/374, 716, D6/375, 582, 601, 354, 406.3, 358; D21/688, 686, 662, 671, 680, 682, 694, D21/695, 690, 698, 699, 797, 369; D24/190, 168; D29/120.1; D25/155; D19/113, 26, 32; D3/203.2; D2/897, D2/925, 950, 947; D26/37; 99/472, 467; 269/14, 289 R, 13, 15; 156/250, 256, 156/272.8, 308.2, 330, 60; 206/216; 224/257; 5/420; 428/80

See application file for complete search history.

(56) **References Cited**

U.S. PATENT DOCUMENTS

D193,861 S * 10/1962 Nissen et al. D21/797
D238,266 S * 12/1975 Dalton D12/410
4,210,322 A * 7/1980 Pritchard 482/23
D325,087 S * 3/1992 Brinker D24/190

6,623,270 B1 * 9/2003 Meldeau 432/140
D495,379 S * 8/2004 Dubus D21/686
D515,709 S * 2/2006 Charon D25/113
D532,828 S * 11/2006 Muramatsu D21/690
D550,794 S * 9/2007 Grider D21/695
D555,216 S * 11/2007 Grider D21/694
D555,741 S * 11/2007 Wachtfogel et al. D21/686
D565,131 S * 3/2008 Decker D21/686
D571,871 S * 6/2008 Backstrand et al. D21/686
D578,805 S * 10/2008 Diekman D6/691.4
D591,986 S * 5/2009 Schmitz et al. D6/716
D626,607 S * 11/2010 Kim et al. D21/671
D628,832 S * 12/2010 Schmitz et al. D6/716
RE43,981 E * 2/2013 Endelman 482/142
D695,857 S * 12/2013 Sterios D21/686
D703,772 S * 4/2014 Sterios D21/688
2011/0207587 A1 * 8/2011 De La Rambilje 482/140

* cited by examiner

Primary Examiner — Robert M Spear

Assistant Examiner — Ryan Harvey

(74) *Attorney, Agent, or Firm* — Hoffmann & Baron, LLP

(57) **CLAIM**

The ornamental design for the floor and beam back handspring training apparatus, as shown and described.

DESCRIPTION

FIG. 1 is a front perspective view of the floor and beam back handspring training apparatus in accordance with a second embodiment;

FIG. 2 is a rear perspective view of FIG. 1;

FIG. 3 is a left side view of FIG. 1;

FIG. 4 is a right side view of FIG. 1;

FIG. 5 is a back view of FIG. 1;

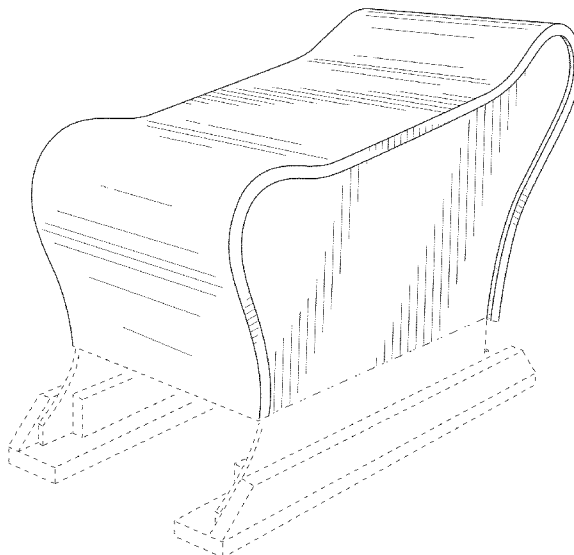
FIG. 6 is a front view of FIG. 1;

FIG. 7 is a top view of FIG. 1; and,

FIG. 8 is a bottom view of FIG. 1.

The broken lines in the drawings represent unclaimed subject matter and form no part of the claim.

1 Claim, 8 Drawing Sheets



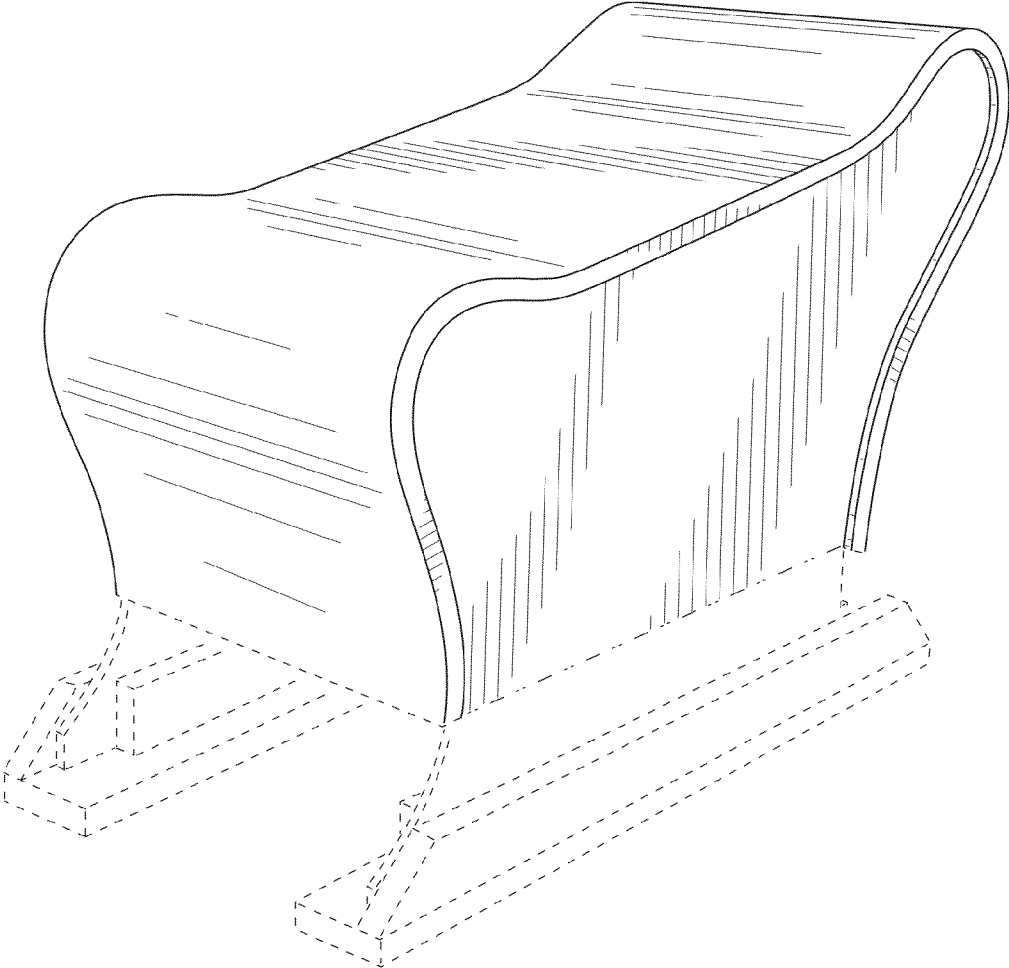


FIG. 1

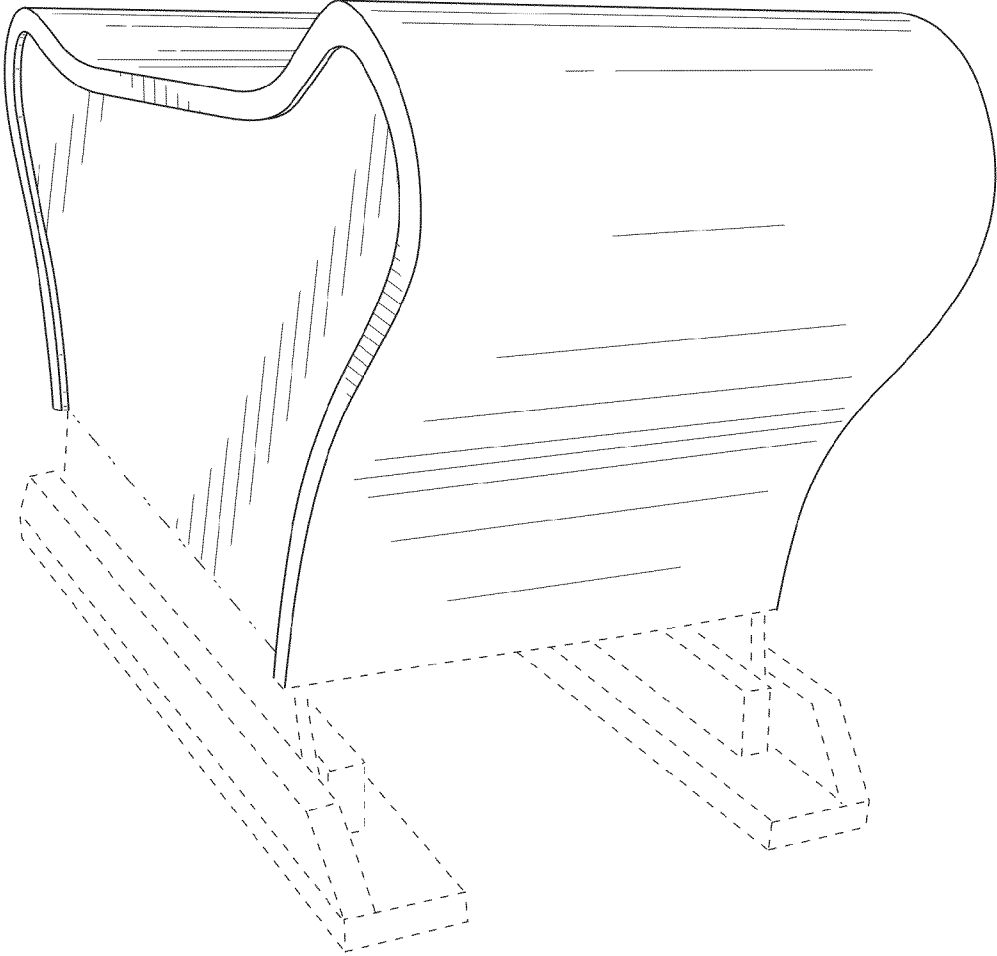


FIG. 2

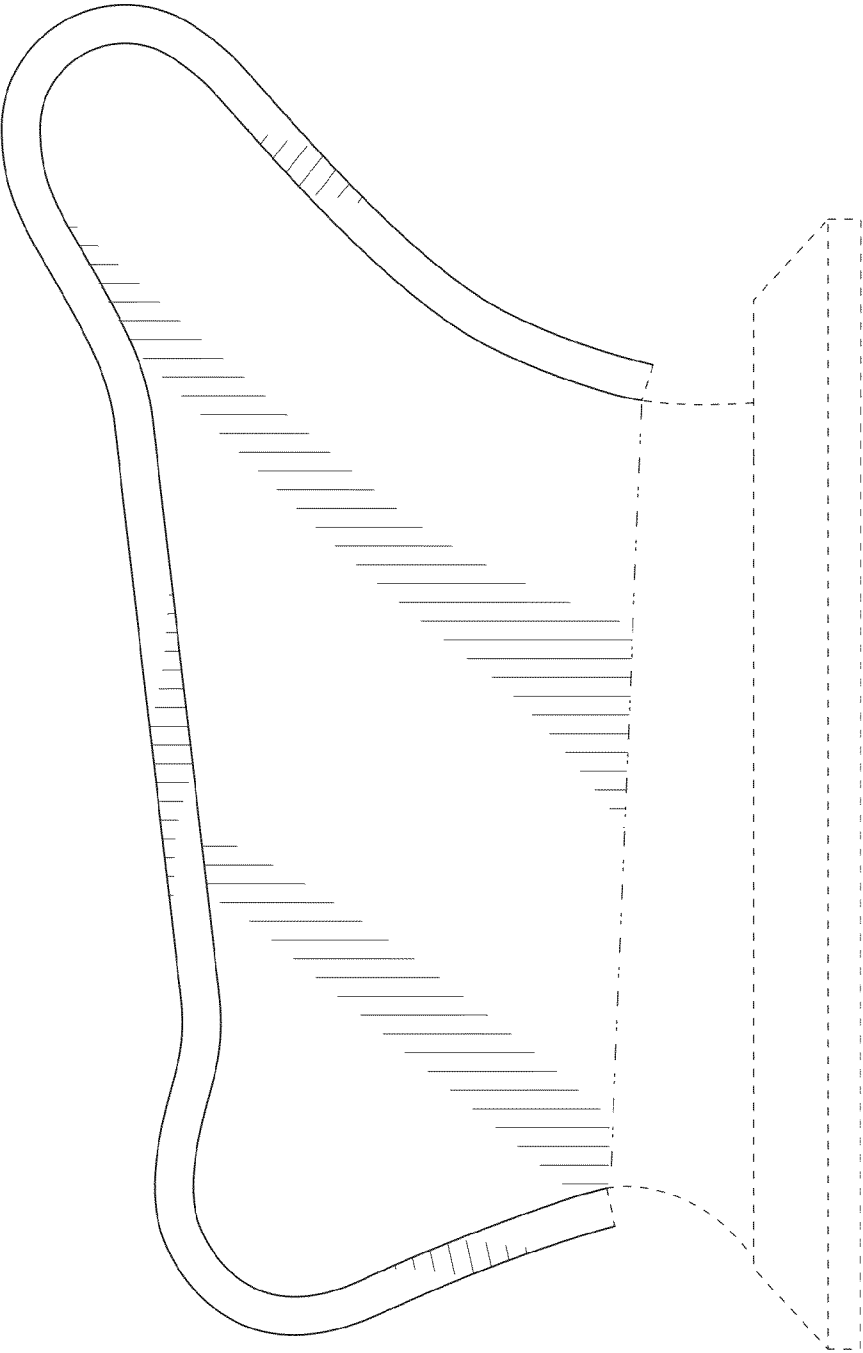


FIG. 3

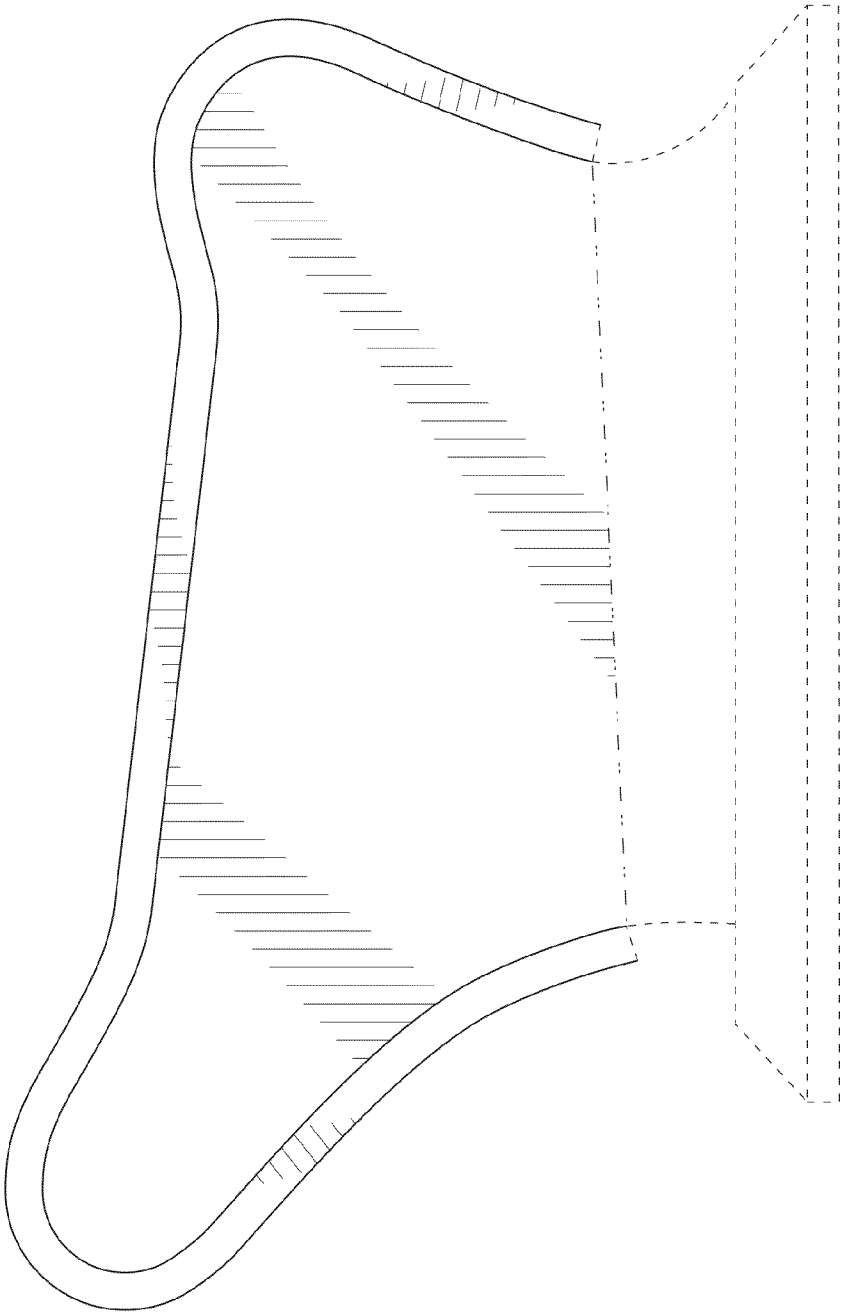


FIG. 4

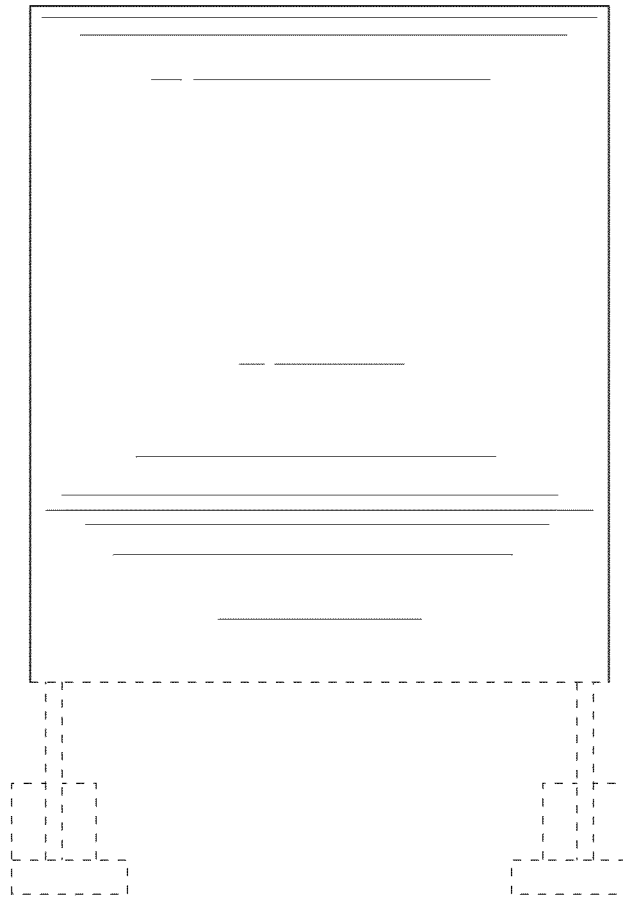


FIG. 5

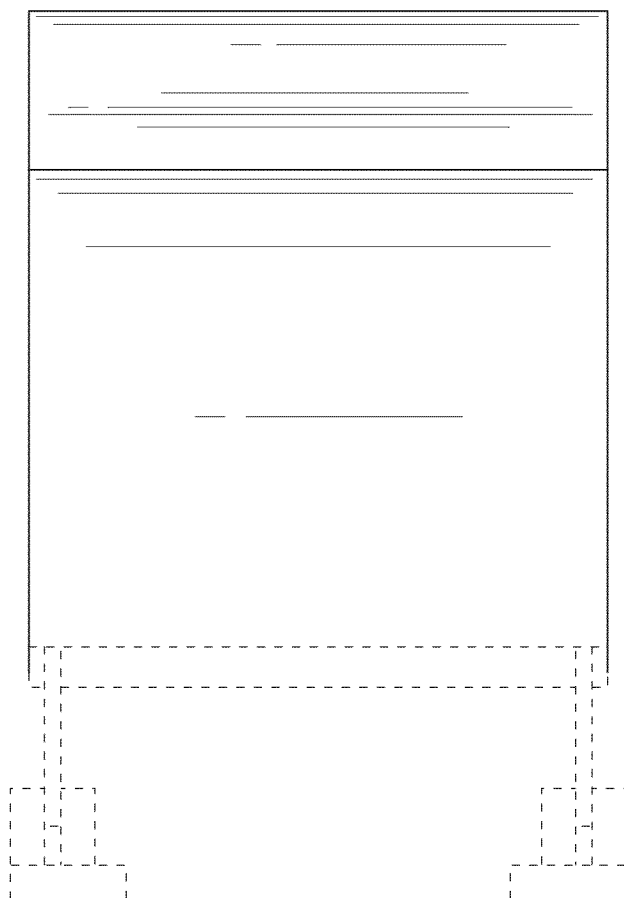


FIG. 6

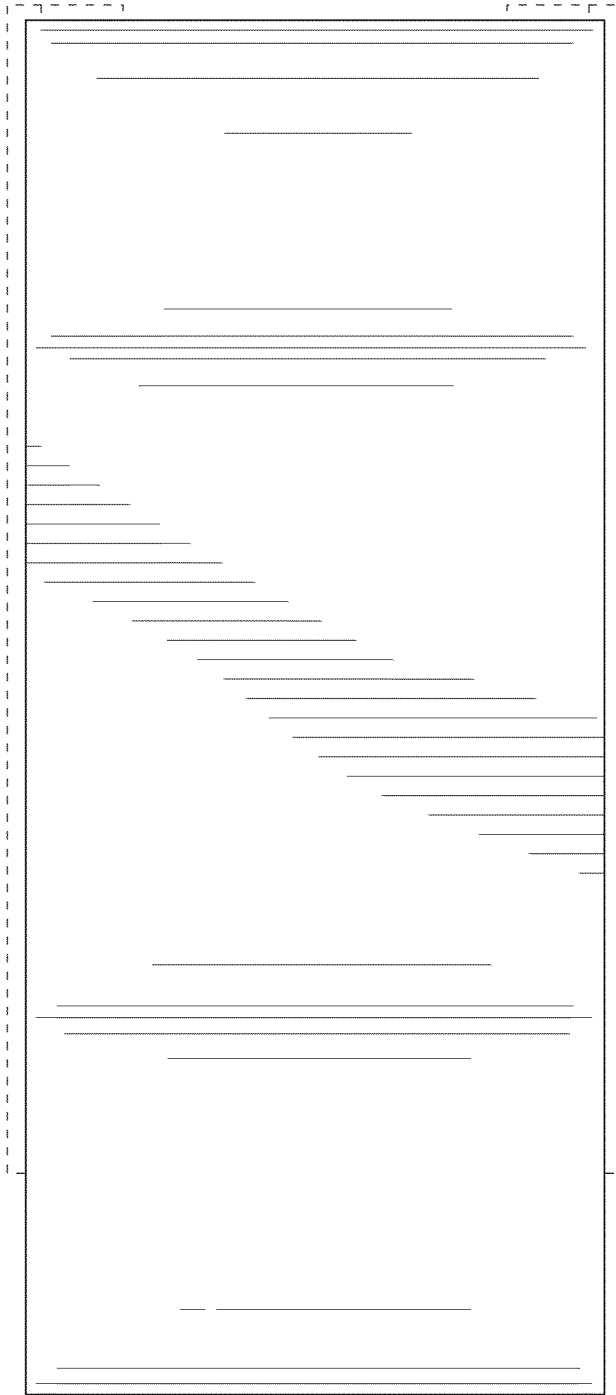


FIG. 7

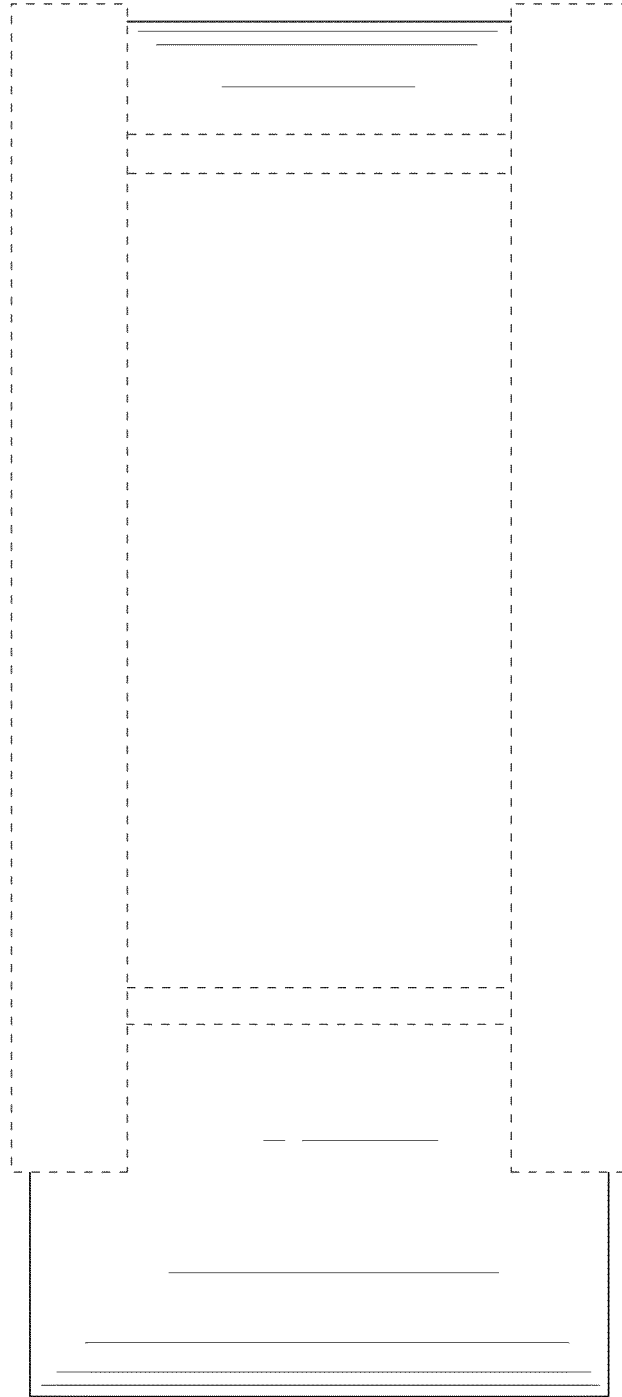


FIG. 8