

June 9, 1942.

R. R. MILLER
FOLDING CIGARETTE CASE
Filed March 26, 1941

Des. 132,739

Fig. 1.

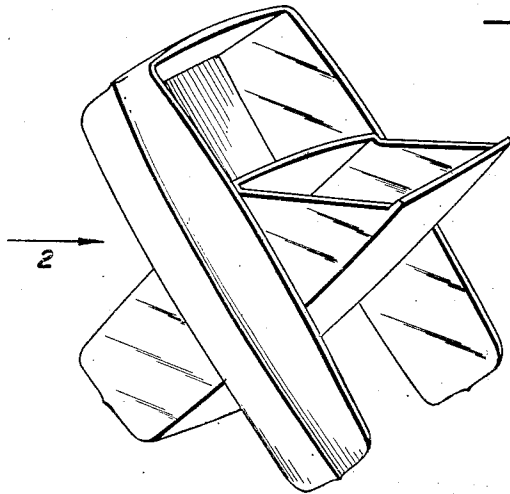


Fig. 4.

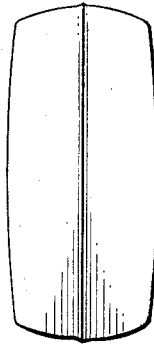


Fig. 3.

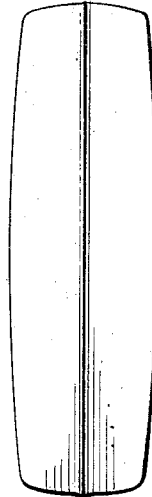
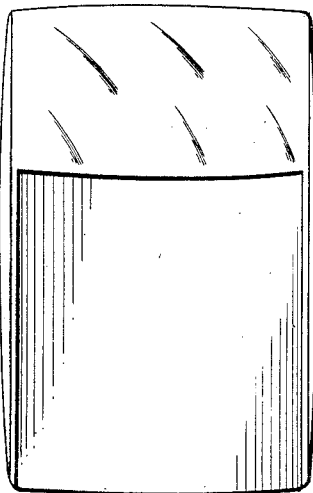


Fig. 2.



ROYAL R. MILLER INVENTOR.
BY *Stuart M. Maule* ATTORNEY.

UNITED STATES PATENT OFFICE

132,739

DESIGN FOR A FOLDING CIGARETTE CASE

Royal R. Miller, Los Angeles, Calif.

Application March 26, 1941, Serial No. 99,903

Term of patent 7 years

To all whom it may concern:

Be it known that I, Royal R. Miller, a citizen of the United States and a resident of Los Angeles, county of Los Angeles, State of California, have invented a new, original, and ornamental Design for a Folding Cigarette Case, of which the following is a specification, reference being had to the accompanying drawing, forming a part thereof.

Referring to the drawing:

Figure 1 is a perspective view of a folding cigarette case, showing my new design.

Figure 2 is a front elevational view.

Figure 3 is a side elevational view.

Figure 4 is a top plan view.

I claim:

The ornamental design for a folding cigarette case, as shown.

ROYAL R. MILLER.