



US00D751622S

(12) **United States Design Patent**
Mao et al.

(10) **Patent No.:** **US D751,622 S**

(45) **Date of Patent:** **** Mar. 15, 2016**

(54) **CAMERA**

(71) Applicant: **FLIR Systems, Inc.**, Wilsonville, OR (US)

(72) Inventors: **Zhenmei Mao**, Shanghai (CN); **William B. Hasbrook**, Lake Oswego, OR (US)

(73) Assignee: **FLIR Systems, Inc.**, Wilsonville, OR (US)

(**) Term: **14 Years**

(21) Appl. No.: **29/513,669**

(22) Filed: **Jan. 5, 2015**

(51) **LOC (10) Cl.** **16-01**

(52) **U.S. Cl.**

USPC **D16/218**

(58) **Field of Classification Search**

USPC D16/200, 202-205, 208, 218, 219;
348/14.01-14.06, 143, 148, 373-376;
396/427, 535, 539-541

CPC G03B 17/02; G03B 19/04; G03B 17/56;
G03B 17/04; G03B 15/03; H04N 5/2251;
H04N 5/2252; H04N 5/2253; H04N 5/2254;
H04N 2007/145; H04N 7/141; H04N 7/142;
H04N 7/147; H04N 7/148; H04N 7/15;
H04N 7/152

See application file for complete search history.

(56) **References Cited**

U.S. PATENT DOCUMENTS

D450,738 S * 11/2001 Rak D16/203
7,093,811 B2 * 8/2006 Wu F16M 13/02
248/229.12

D559,883 S * 1/2008 Nakamura D16/218
D624,106 S * 9/2010 Cho D16/203
D631,079 S * 1/2011 Tzeng D16/202
D632,718 S * 2/2011 Tzeng D16/202
D632,719 S * 2/2011 Tsai D16/202
D639,839 S * 6/2011 Kao D16/202
D665,439 S * 8/2012 Khamsepoor D16/202
D674,427 S * 1/2013 Khamsepoor D16/202
8,593,567 B2 * 11/2013 Xiao H04N 5/2251
348/373
D705,337 S * 5/2014 Tani D16/219
D709,117 S * 7/2014 Gan D16/202

* cited by examiner

Primary Examiner — Adir Aronovich

Assistant Examiner — Ramzi Almatrahi

(74) *Attorney, Agent, or Firm* — Haynes and Boone, LLP

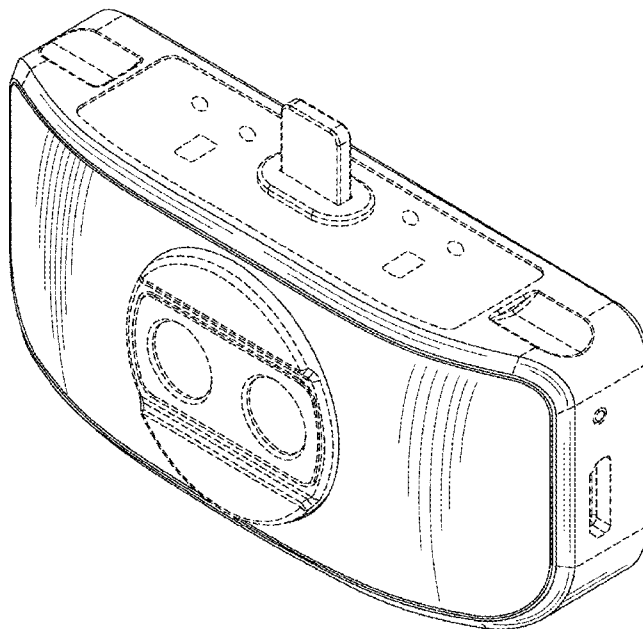
(57) **CLAIM**

The ornamental design for a camera, as shown and described.

DESCRIPTION

FIG. 1 is a top, front, and left side perspective view of a camera embodying the new design; FIG. 2 is a front elevational view thereof; FIG. 3 is a rear elevational view thereof; FIG. 4 is a top plan view thereof; FIG. 5 is a bottom plan view thereof; FIG. 6 is a right side elevational view thereof; FIG. 7 is a left side elevational view thereof; and, FIG. 8 is a front elevational view thereof, with a portion of the camera orientated in a vertical position. The broken lines depict portions of a camera in which the design is embodied and form no part of the claimed design.

1 Claim, 7 Drawing Sheets



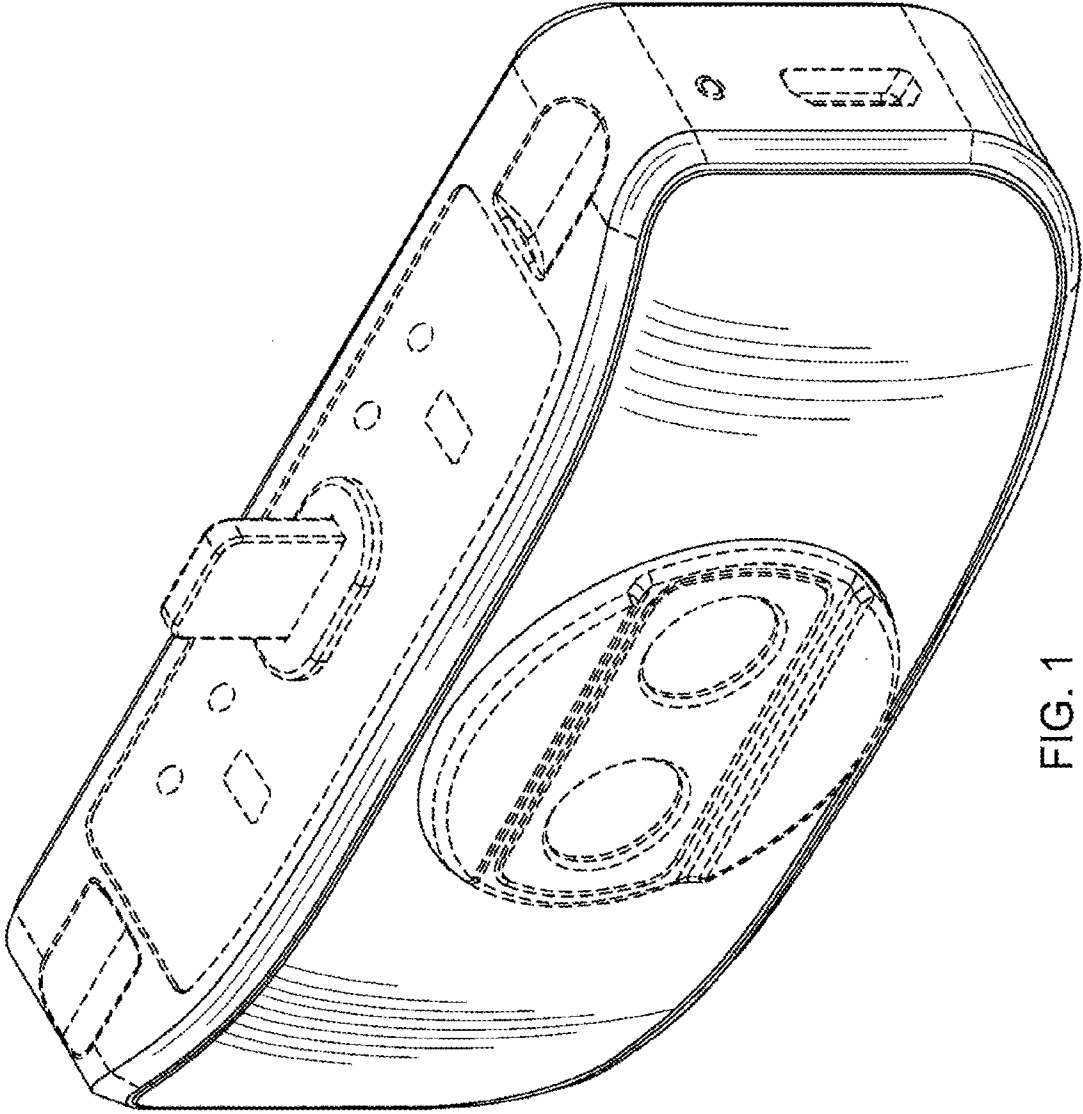


FIG. 1

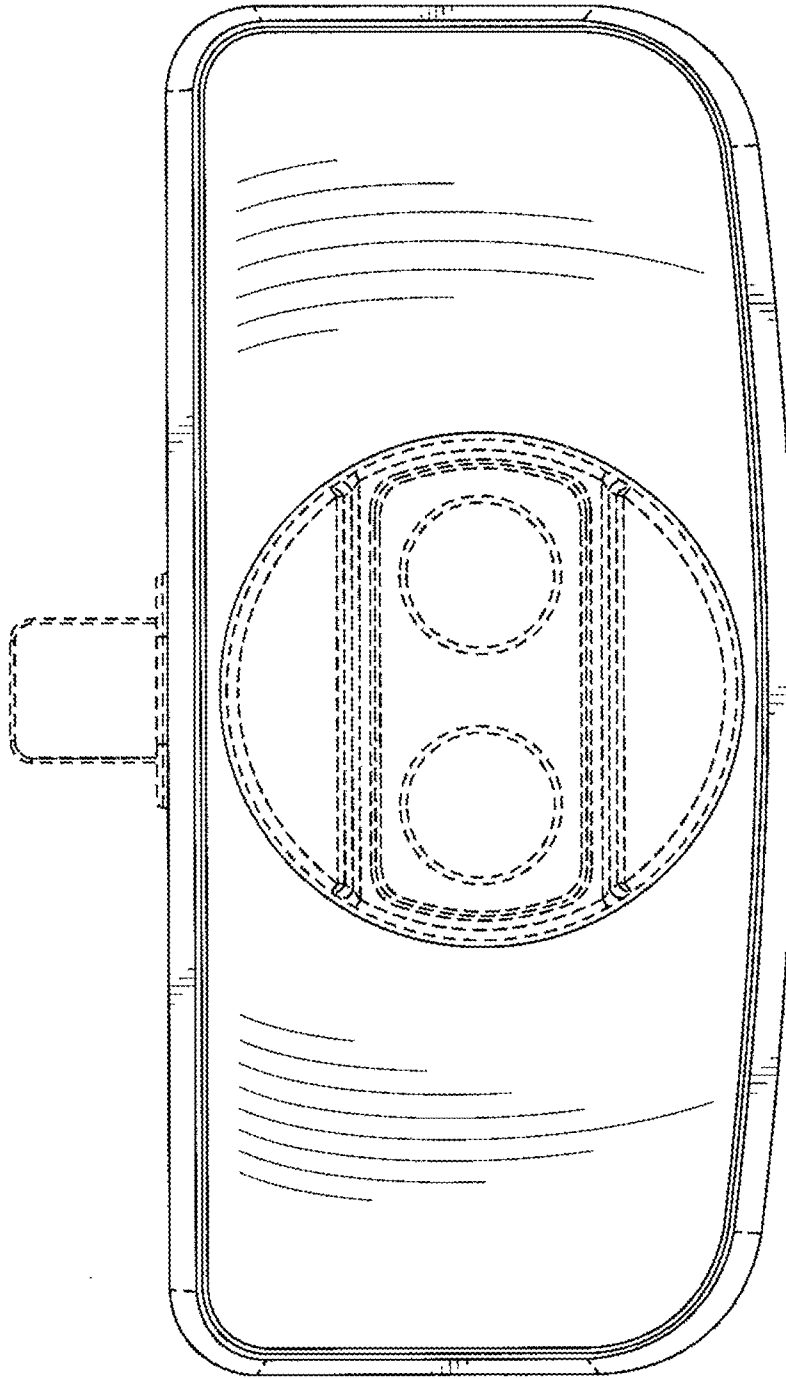


FIG. 2

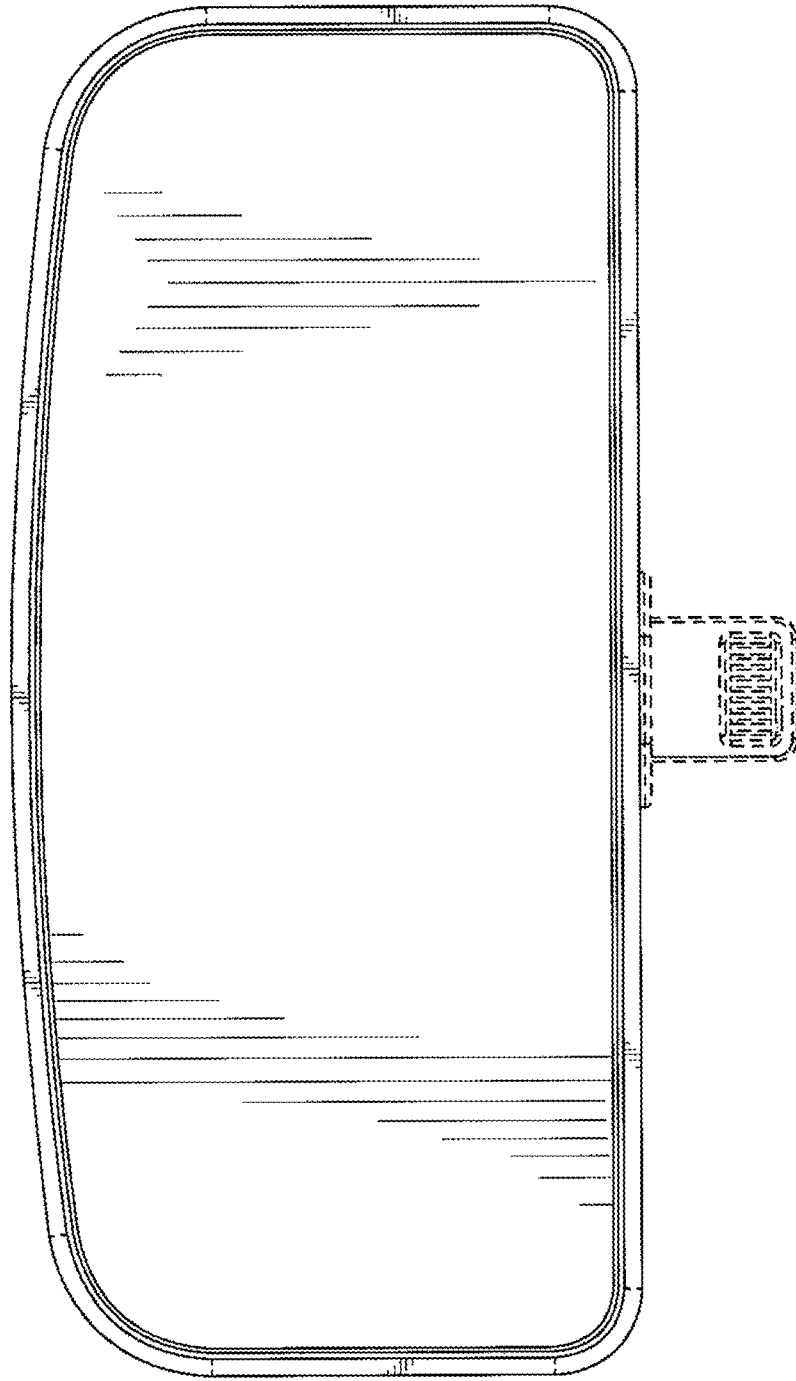


FIG. 3

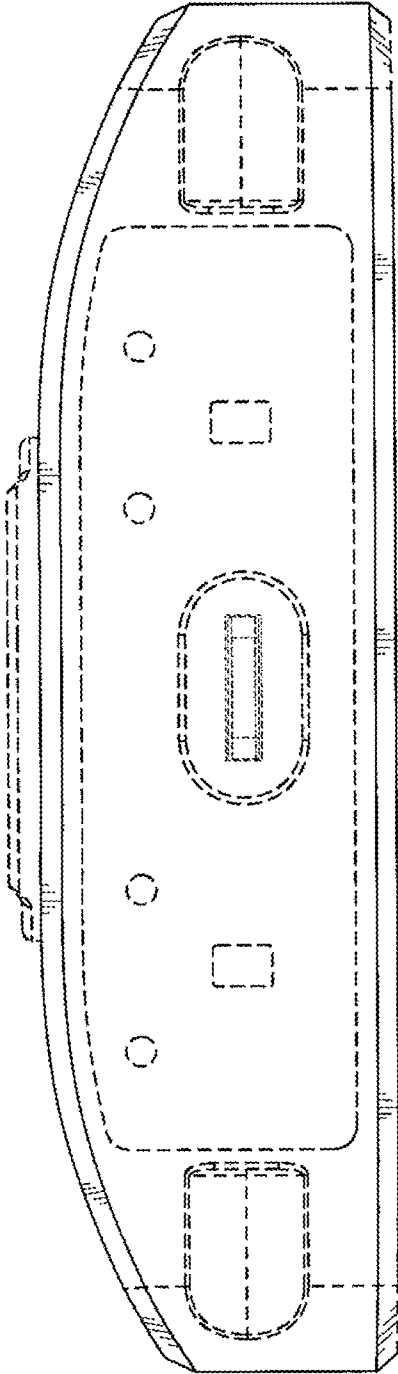


FIG. 4

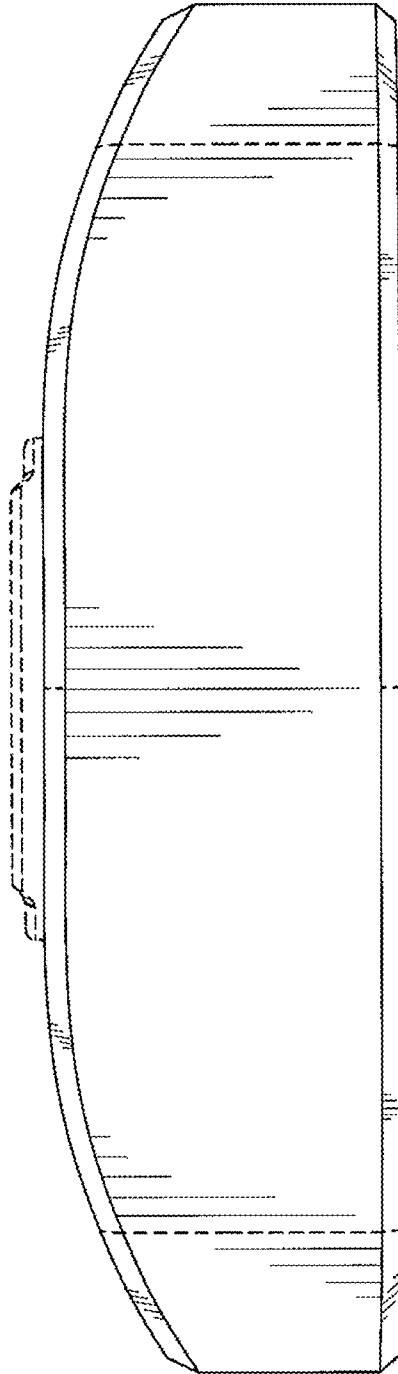


FIG. 5

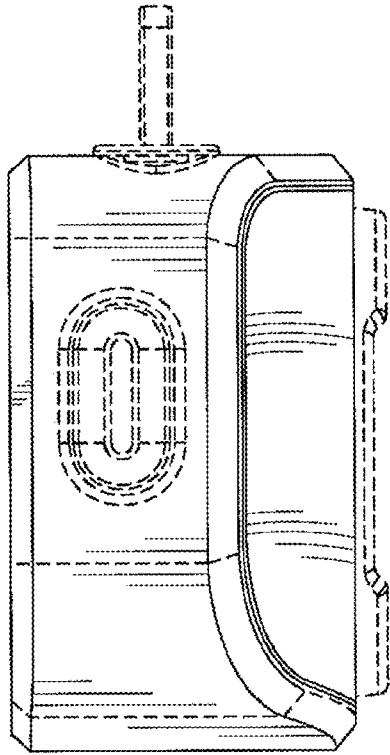


FIG. 6

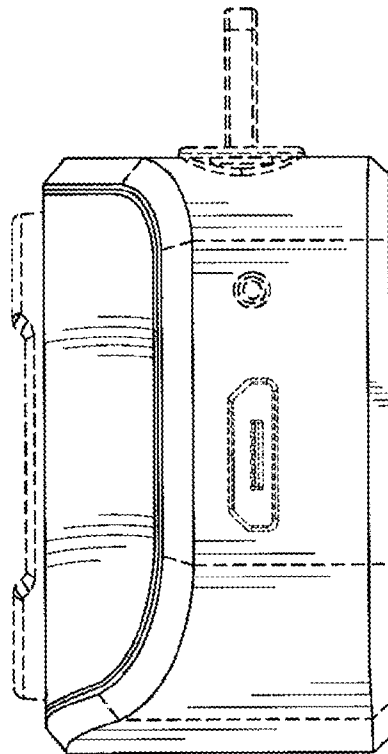


FIG. 7

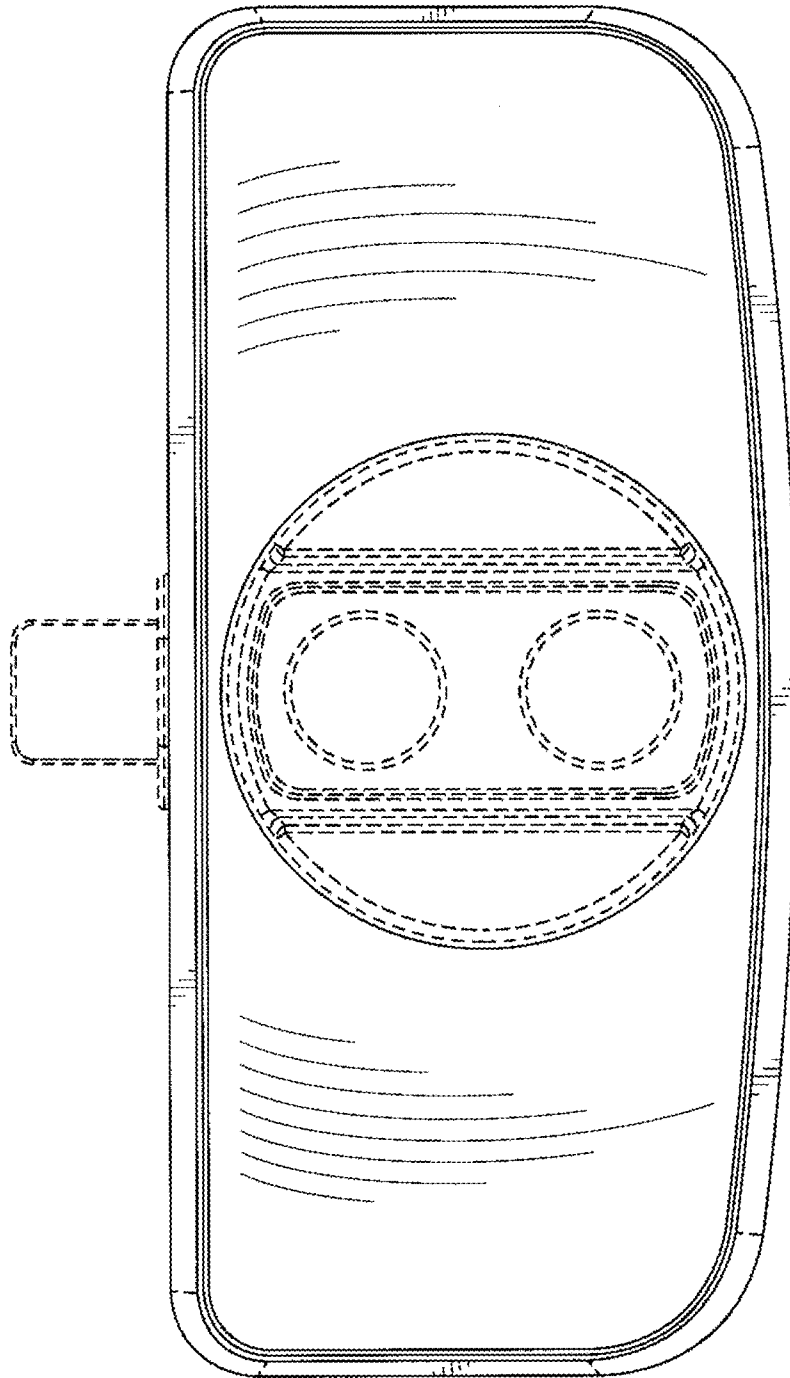


FIG. 8