



US00D717552S

(12) **United States Design Patent**
Baraldi et al.

(10) **Patent No.:** **US D717,552 S**

(45) **Date of Patent:** **** Nov. 18, 2014**

(54) **SEATING ELEMENT**

(71) Applicant: **QubicaAMF Worldwide, LLC**,
Mechanicsville, VA (US)

(72) Inventors: **Massimo Baraldi**, Bologna (IT);
Tommaso Parisi, Bologna (IT); **Michele**
Oca, San Matteo Della Decima (IT)

(73) Assignee: **QubicaAMF Worldwide, LLC**,
Mechanicsville, VA (US)

(**) Term: **14 Years**

(21) Appl. No.: **29/476,154**

(22) Filed: **Dec. 11, 2013**

(51) **LOC (10) Cl.** **06-01**

(52) **U.S. Cl.**

USPC **D6/334**

(58) **Field of Classification Search**

USPC D6/334, 335, 336, 379, 381; 297/94,
297/118, 232, 445.1, 448.1, DIG. 7

See application file for complete search history.

(56) **References Cited**

U.S. PATENT DOCUMENTS

D261,953 S *	11/1981	Aronowitz et al.	D6/364
D261,954 S *	11/1981	Aronowitz et al.	D6/364
D261,955 S *	11/1981	Aronowitz et al.	D6/364
D262,163 S *	12/1981	Aronowitz et al.	D6/364
D262,164 S *	12/1981	Aronowitz et al.	D6/364

D264,027 S *	4/1982	Aronowitz et al.	D6/364
D284,142 S *	6/1986	Rafferty	D6/334
D327,174 S *	6/1992	Hopfer	D6/334
D336,377 S *	6/1993	Gibson	D6/334
D433,824 S *	11/2000	King	D6/334
D545,070 S *	6/2007	Hutton	D6/334
D569,112 S *	5/2008	Swanson	D6/334
D657,964 S *	4/2012	Amini	D6/334

* cited by examiner

Primary Examiner — Sandra Snapp

(74) *Attorney, Agent, or Firm* — Andrew M. Calderon;
Roberts Mlotkowski Safran & Cole, P.C.

(57) **CLAIM**

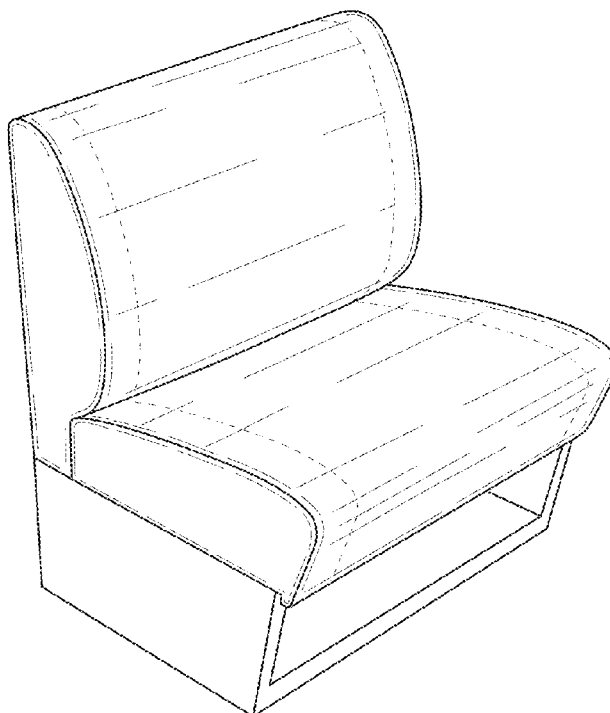
We claim the ornamental design for a seating element, as shown and described.

DESCRIPTION

FIG. 1 is front view of a seating element;
FIG. 2 is rear view of the seating element;
FIG. 3 is a side view of the seating element;
FIG. 4 is a top view of the seating element;
FIG. 5 is a bottom view of the seating element; and,
FIG. 6 is a perspective view of the seating element.

Applicant notes that the side view of the seating element as shown in FIG. 3 is representative of both a right side view and left side view of the seating element. Any subject matter shown in dashed lines, and any surfaces of the design not shown, including interior surfaces, form no part of the claimed invention.

1 Claim, 6 Drawing Sheets



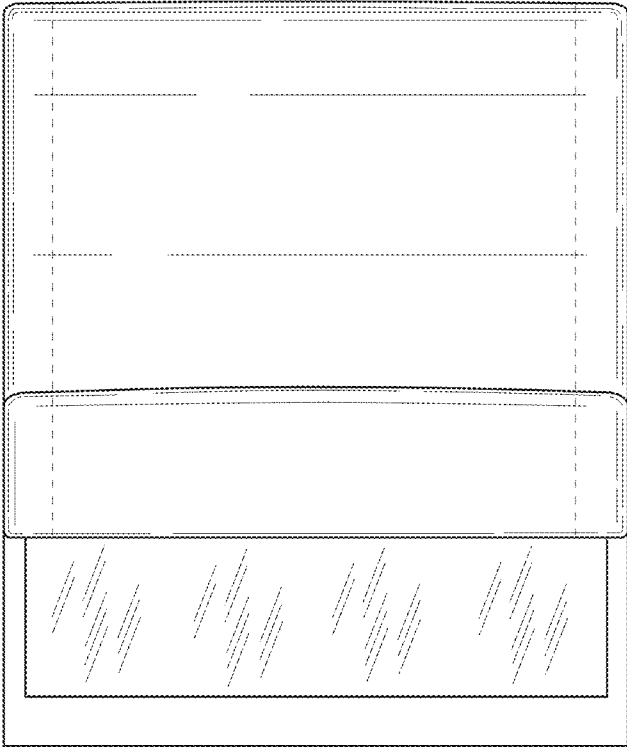


FIG. 1

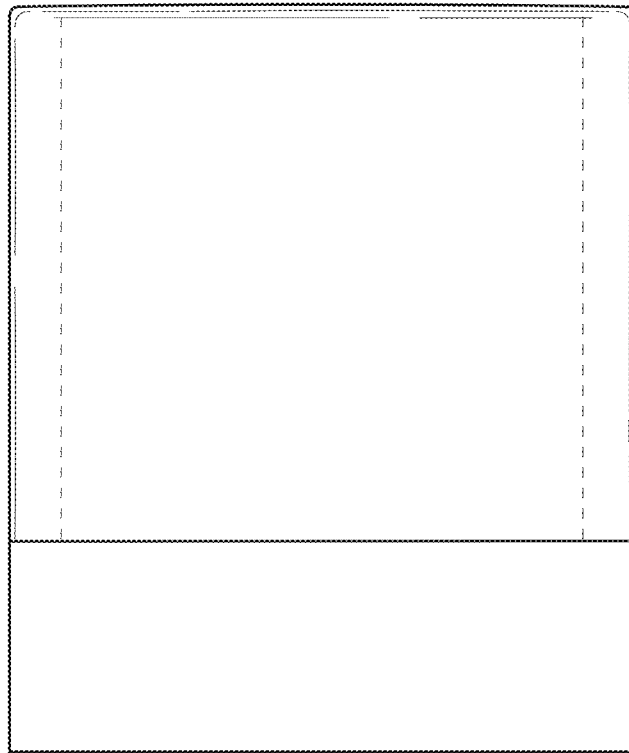


FIG. 2

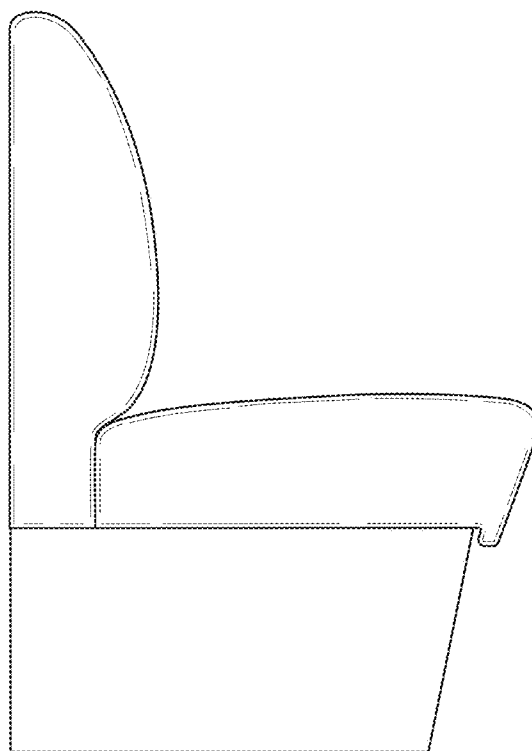


FIG. 3

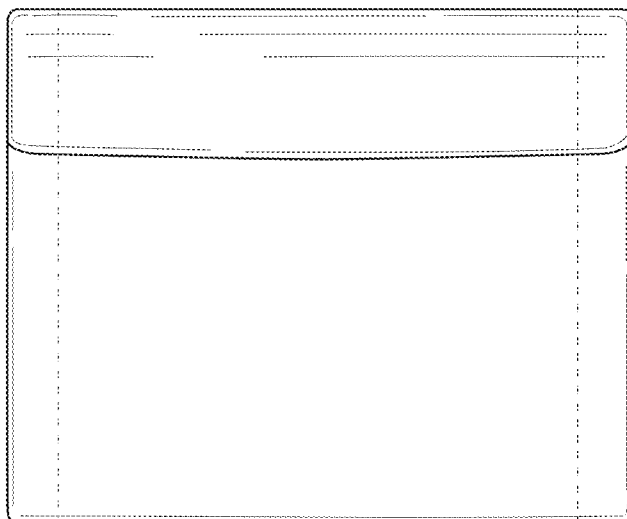


FIG. 4

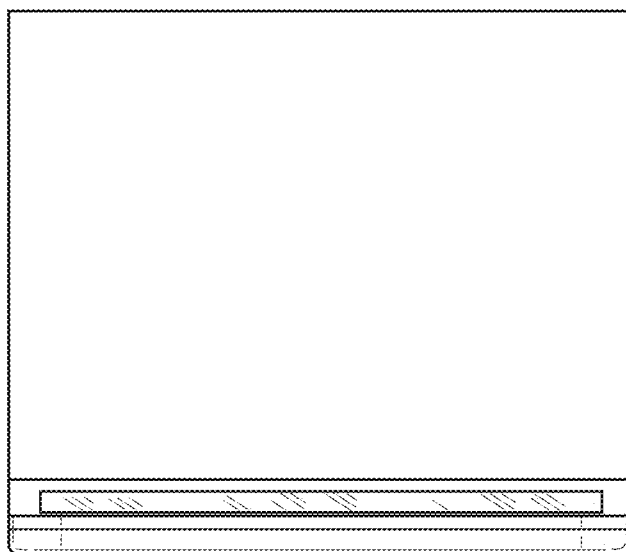


FIG. 5

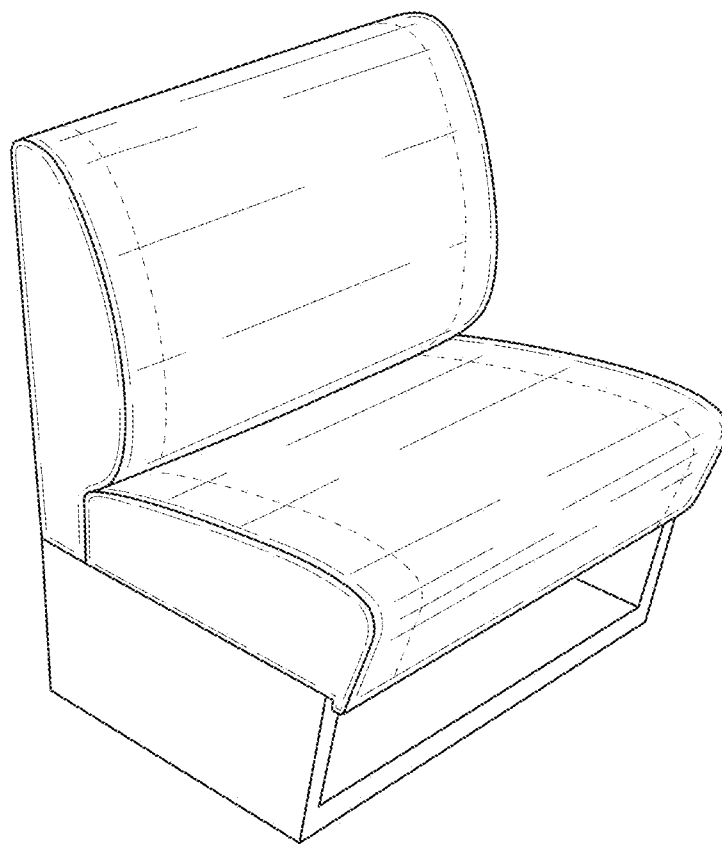


FIG. 6