

[54] SPEED INDICATOR

[75] Inventor: Thomas J. Smrt, Cary, Ill.

[73] Assignee: Fox Valley Systems, Inc., Cary, Ill.

[\*\*] Term: 14 Years

[21] Appl. No.: 330,718

[22] Filed: Mar. 30, 1989

[52] U.S. Cl. .... D10/96

[58] Field of Search ..... D10/96, 97, 98;  
116/62.1, 284, 200, 201; 239/71, 150, 239;  
73/494, 493, 529

[56] References Cited

U.S. PATENT DOCUMENTS

D. 222,387	10/1971	Mock	.....	D10/64
1,671,012	5/1928	Collins	.....	73/529
3,796,353	3/1974	Smrt	.....	239/150 X
3,807,634	4/1974	Vogt	.....	239/150 X

OTHER PUBLICATIONS

Sjöström Electronics, Hand-Odometer, 1/1977, cover.

Primary Examiner—Nelson C. Holtje  
Assistant Examiner—Antoine D. Davis  
Attorney, Agent, or Firm—Leydig, Voit & Mayer

[57] CLAIM

The ornamental design for a speed indicator, as shown and described.

DESCRIPTION

FIG. 1 is a top, front and right side perspective view of a speed indicator showing my new design, the dotted line of a partially shown spraying instrument is for illustrative purposes only and forms no part of the claimed design;

FIG. 2 is a right side elevational view;

FIG. 3 is a rear elevational view; and

FIG. 4 is a front elevational view thereof.

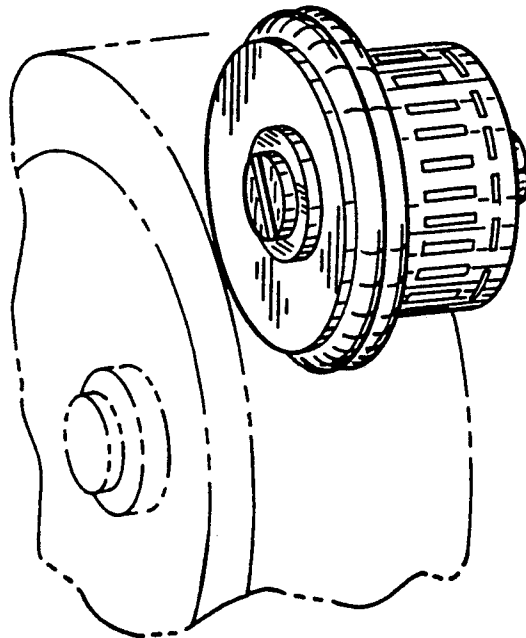


FIG. 1

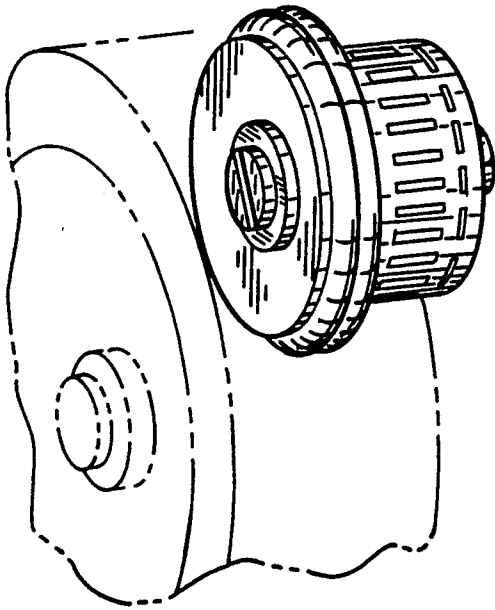


FIG. 2

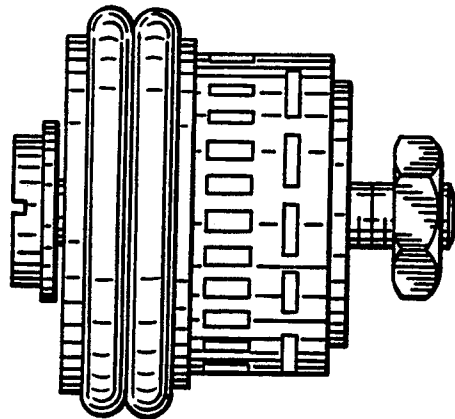


FIG. 3

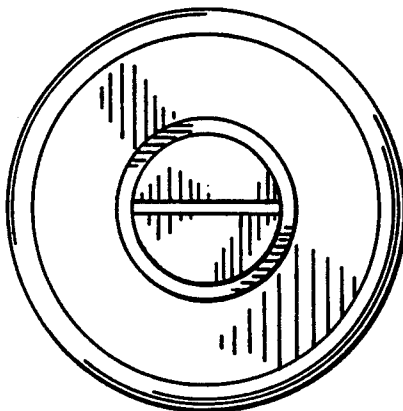


FIG. 4

