

(19) World Intellectual Property Organization
International Bureau



(10) International Publication Number
WO 2009/114519 A3

(43) International Publication Date
17 September 2009 (17.09.2009)

(51) International Patent Classification:
G01B 11/16 (2006.01)

(21) International Application Number:
PCT/US2009/036646

(22) International Filing Date:
10 March 2009 (10.03.2009)

(25) Filing Language: English

(26) Publication Language: English

(30) Priority Data:
61/035,822 12 March 2008 (12.03.2008) US

(71) Applicant (for SM only): SHELL OIL COMPANY
[US/US]; One Shell Plaza, P.O. Box 2463, Houston, TX
77252-2463 (US).

(71) Applicant (for all designated States except US): SHELL
INTERNATIONALE RESEARCH MAATSCHAPPIJ
B.V. [NL/NL]; Carel Van Bylandtlaan 30, NL-2596 HR
The Hague (NL).

(72) Inventors; and
(75) Inventors/Applicants (for US only): PEARCE, Jeremi-
ah, Glen [US/US]; 10803 Moonlight Drive, Houston, TX
77096 (US). RAMBOW, Frederick, Henry, Kreisler
[US/US]; 5526 Darnell, Houston, TX 77096 (US).

(74) Agent: WATKINS, Marcella, D.; Shell Oil Company,
One Shell Plaza, P.O. Box 2463, Houston, TX
77252-2463 (US).

(81) Designated States (unless otherwise indicated, for every
kind of national protection available): AE, AG, AL, AM,
AO, AT, AU, AZ, BA, BB, BG, BH, BR, BW, BY, BZ,

[Continued on next page]

(54) Title: MONITORING SYSTEM FOR WELL CASING

(57) Abstract: A system (20) for monitoring deformation of a substantially cylindrical casing (14). The system (20) includes at least two strings (22) of interconnected sensors (24) that are wrapped around the casing (14) so as not to intersect one another. At least one of the strings (22) includes a series of at least two segments (S). The series of segments (S) includes a segment (S) arranged at one wrap angle (θ) and another segment (S) arranged at a different wrap angle (θ).

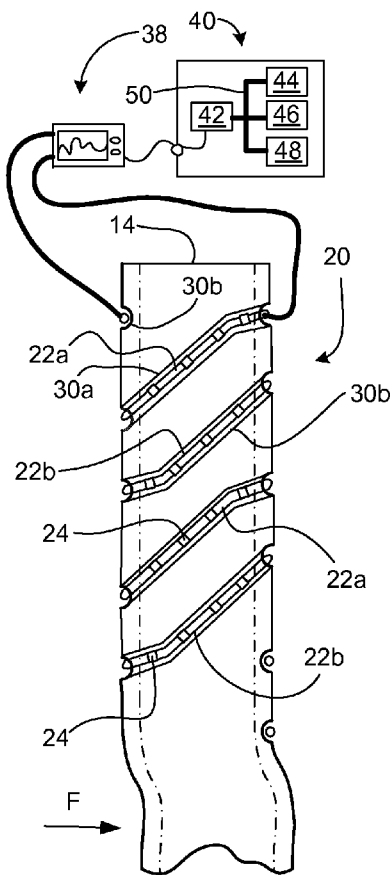


FIG. 2



WO 2009/114519 A3



CA, CH, CN, CO, CR, CU, CZ, DE, DK, DM, DO, DZ, EC, EE, EG, ES, FI, GB, GD, GE, GH, GM, GT, HN, HR, HU, ID, IL, IN, IS, JP, KE, KG, KM, KN, KP, KR, KZ, LA, LC, LK, LR, LS, LT, LU, LY, MA, MD, ME, MG, MK, MN, MW, MX, MY, MZ, NA, NG, NI, NO, NZ, OM, PG, PH, PL, PT, RO, RS, RU, SC, SD, SE, SG, SK, SL, SM, ST, SV, SY, TJ, TM, TN, TR, TT, TZ, UA, UG, US, UZ, VC, VN, ZA, ZM, ZW.

(84) Designated States (unless otherwise indicated, for every kind of regional protection available): ARIPO (BW, GH, GM, KE, LS, MW, MZ, NA, SD, SL, SZ, TZ, UG, ZM, ZW), Eurasian (AM, AZ, BY, KG, KZ, MD, RU, TJ, TM), European (AT, BE, BG, CH, CY, CZ, DE, DK, EE,

ES, FI, FR, GB, GR, HR, HU, IE, IS, IT, LT, LU, LV, MC, MK, MT, NL, NO, PL, PT, RO, SE, SI, SK, TR), OAPI (BF, BJ, CF, CG, CI, CM, GA, GN, GQ, GW, ML, MR, NE, SN, TD, TG).

Published:

— with international search report (Art. 21(3))

— with amended claims (Art. 19(1))

(88) Date of publication of the international search report:

6 May 2010

INTERNATIONAL SEARCH REPORT

International application No.

PCT/US2009/036646

A. CLASSIFICATION OF SUBJECT MATTER IPC(8) - G01B 11/16 (2009.01) USPC - 250/227.18; 356/32; 385/13 According to International Patent Classification (IPC) or to both national classification and IPC		
B. FIELDS SEARCHED Minimum documentation searched (classification system followed by classification symbols) IPC(8) - G01B 11/16 (2009.01) USPC - 250/227.14, 227.18; 356/32-34; 385/12, 13 Documentation searched other than minimum documentation to the extent that such documents are included in the fields searched Electronic data base consulted during the international search (name of data base and, where practicable, search terms used) PatBase		
C. DOCUMENTS CONSIDERED TO BE RELEVANT		
Category*	Citation of document, with indication, where appropriate, of the relevant passages	Relevant to claim No.
Y	GB 1 570 511 A (LEES) 02 July 1980 (02.06.1980) entire document	1-18
Y	DE 199 13 113 C2 (GROSWIG et al) 12 October 2000 (12.10.2000) entire document	1-18
Y	US 6,580,033 B1 (GOLDNER et al) 17 June 2003 (17.06.2003) entire document	8-13, 17, 18
Y	US 2006/0233482 A1 (RAMBOW) 19 October 2006 (19.10.2006) entire document	19, 20
Y	US 2006/0045408 A1 (JONES et al) 02 March 2006 (02.03.2006) entire document	19, 20
<input type="checkbox"/> Further documents are listed in the continuation of Box C. <input type="checkbox"/>		
* Special categories of cited documents: "A" document defining the general state of the art which is not considered to be of particular relevance "E" earlier application or patent but published on or after the international filing date "L" document which may throw doubts on priority claim(s) or which is cited to establish the publication date of another citation or other special reason (as specified) "O" document referring to an oral disclosure, use, exhibition or other means "P" document published prior to the international filing date but later than the priority date claimed "T" later document published after the international filing date or priority date and not in conflict with the application but cited to understand the principle or theory underlying the invention "X" document of particular relevance; the claimed invention cannot be considered novel or cannot be considered to involve an inventive step when the document is taken alone "Y" document of particular relevance; the claimed invention cannot be considered to involve an inventive step when the document is combined with one or more other such documents, such combination being obvious to a person skilled in the art "&" document member of the same patent family		
Date of the actual completion of the international search 29 April 2009		Date of mailing of the international search report 08 MAR 2010
Name and mailing address of the ISA/US Mail Stop PCT, Attn: ISA/US, Commissioner for Patents P.O. Box 1450, Alexandria, Virginia 22313-1450 Facsimile No. 571-273-3201		Authorized officer: Blaine R. Copenheaver PCT Helpdesk: 571-272-4300 PCT OSP: 571-272-7774