



US00D415293S

United States Patent [19]

[11] Patent Number: Des. 415,293

Kato et al.

[45] Date of Patent: ** Oct. 12, 1999

[54] SELF-BALLASTED COMPACT
FLUORESCENT LAMPS

[75] Inventors: Masayoshi Kato; Takeshi Matsumura;
Shiro Iida, all of Osaka, Japan

[73] Assignee: Matsushita Electronics Corporation,
Japan

[**] Term: 14 Years

[21] Appl. No.: 29/098,283

[22] Filed: Dec. 24, 1998

[51] LOC (6) Cl. 26-04

[52] U.S. Cl. D26/2

[58] Field of Search D26/1, 2, 3, 4,
D26/26; 313/313, 315, 318, 493; 315/52,
53, 56, 57

| | | |
|-------------|---------|------------------|
| 97 301683.3 | 2/1998 | China . |
| 97 301724.4 | 2/1998 | China . |
| 97 301725.2 | 2/1998 | China . |
| 97 302023.7 | 2/1998 | China . |
| 77685 | 6/1979 | France . |
| 631924 | 8/1984 | Japan . |
| 631926 | 8/1984 | Japan . |
| 631926 | 6/1985 | Japan . |
| 8-255592 | 10/1996 | Japan . |
| 2 035326 | 11/1993 | United Kingdom . |
| 2 062441 | 1/1997 | United Kingdom . |
| 2 066733 | 6/1997 | United Kingdom . |
| 003871 | 6/1984 | WIPO . |
| 011712 | 9/1988 | WIPO . |
| 017294 | 8/1990 | WIPO . |
| 042173 | 7/1997 | WIPO . |

Primary Examiner—Marcus A. Jackson
Attorney, Agent, or Firm—SAIDMAN DesignLaw Group

[57] CLAIM

The ornamental design for a self-ballasted compact fluorescent lamps, as shown and described.

DESCRIPTION

FIG. 1 is a perspective view of the top, front and right side of a self-ballasted compact fluorescent lamps showing our new design;

FIG. 2 is a front view thereof;

FIG. 3 is a right side thereof;

FIG. 4 is a top plan view thereof;

FIG. 5 is a bottom view thereof;

FIG. 6 is a rear view thereof; and,

FIG. 7 is a left side view thereof.

1 Claim, 2 Drawing Sheets

[56] References Cited

U.S. PATENT DOCUMENTS

| | | | | |
|------------|---------|------------------|-------|-------|
| D. 218,977 | 10/1970 | Venema | | D26/2 |
| D. 287,407 | 12/1986 | Fujita | | D26/3 |
| D. 354,145 | 1/1995 | Matsumura et al. | | D26/3 |

FOREIGN PATENT DOCUMENTS

| | | |
|-------------|--------|---------|
| 96 318751.1 | 1/1998 | China . |
| 97 301218.8 | 2/1998 | China . |
| 97 301221.8 | 2/1998 | China . |
| 97 301222.6 | 2/1998 | China . |
| 97 301223.4 | 2/1998 | China . |
| 97 301224.2 | 2/1998 | China . |
| 97 301318.4 | 2/1998 | China . |
| 97 301533.0 | 2/1998 | China . |

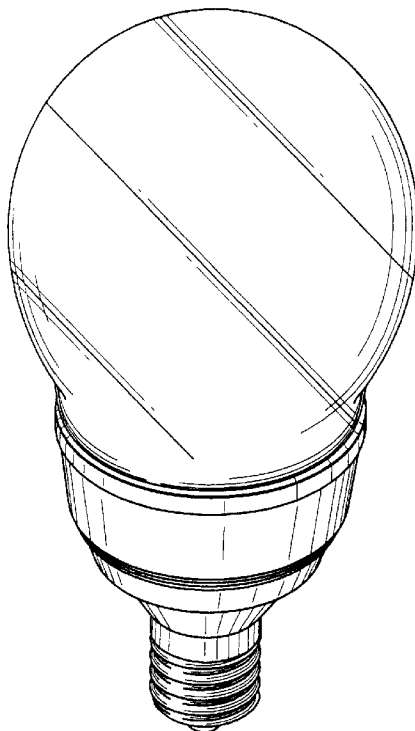


FIG. 1

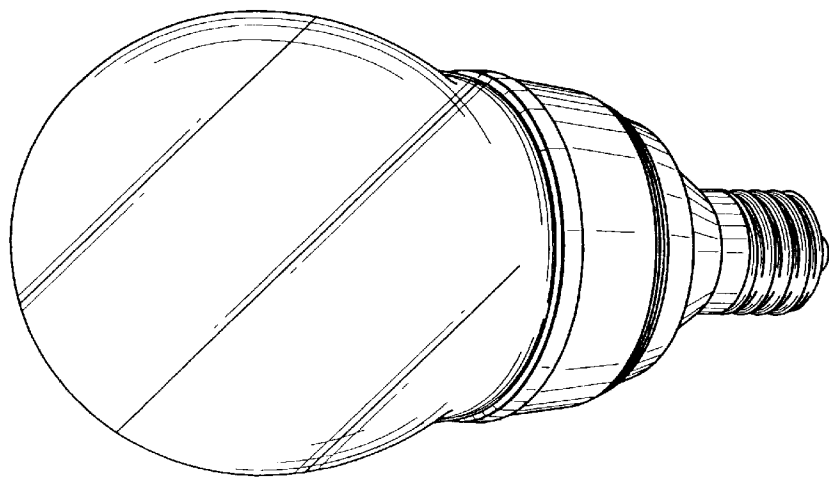


FIG. 2

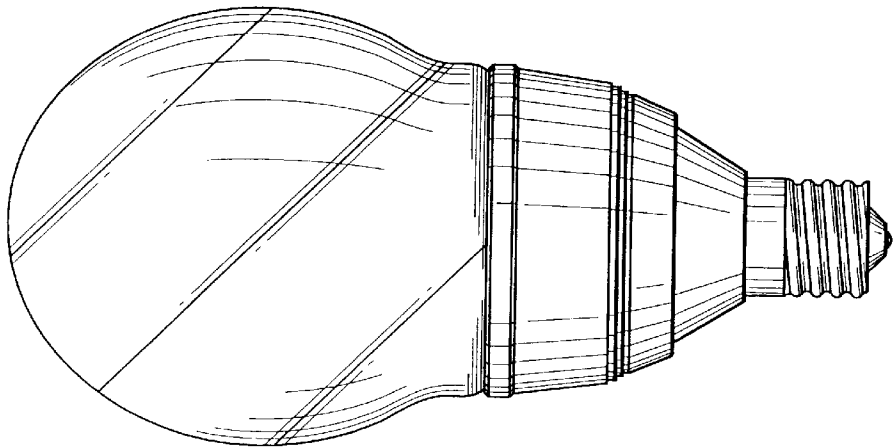


FIG. 3

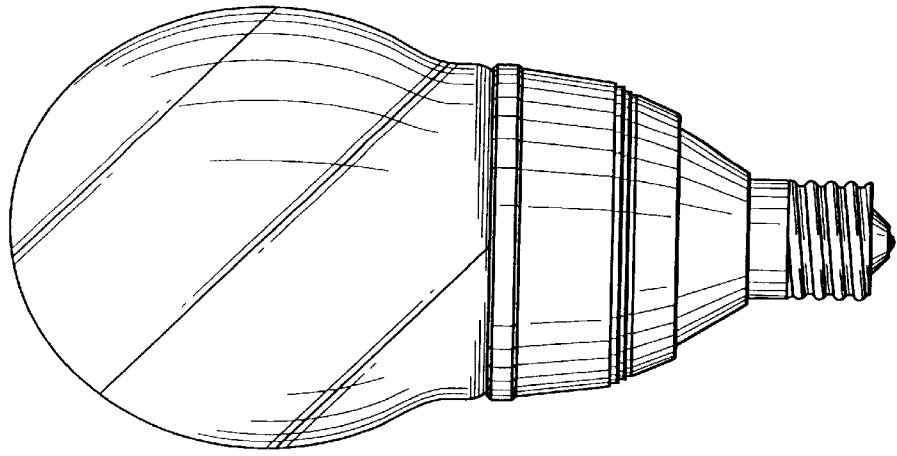


FIG. 4

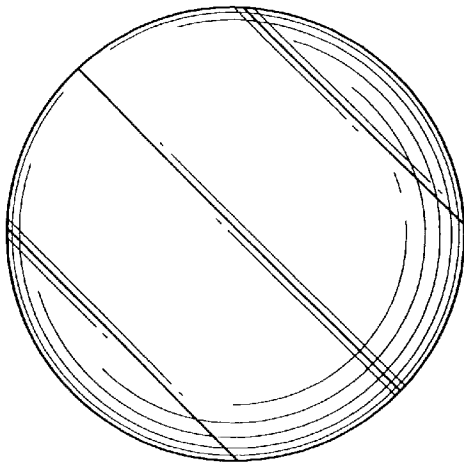


FIG. 5

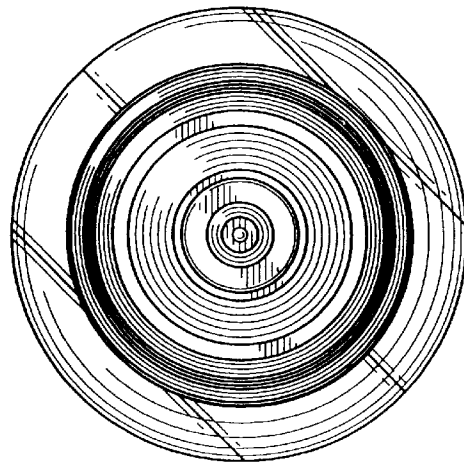


FIG. 6

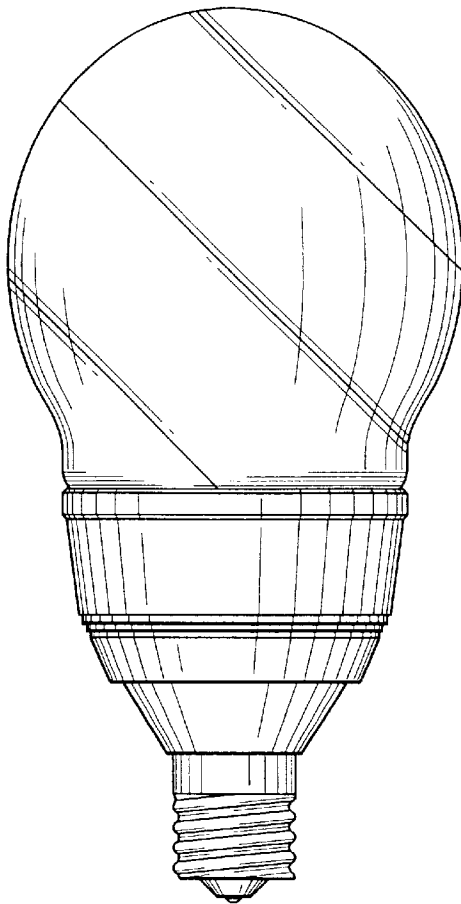


FIG. 7

