



US00D470855S

(12) **United States Design Patent**  
**Minagawa**

(10) **Patent No.:** **US D470,855 S**

(45) **Date of Patent:** **\*\* Feb. 25, 2003**

(54) **DRUM UNIT FOR FACSIMILE MACHINE**

(75) **Inventor:** **Kazuto Minagawa, Tanabe (JP)**

(73) **Assignee:** **Murata Kikai Kabushiki Kaisha, Kyoto (JP)**

(\*\*) **Term:** **14 Years**

(21) **Appl. No.:** **29/153,461**

(22) **Filed:** **Jan. 4, 2002**

(30) **Foreign Application Priority Data**

Aug. 13, 2001 (JP) ..... 2001-023976

(51) **LOC (7) Cl.** ..... **14-03**

(52) **U.S. Cl.** ..... **D14/471**

(58) **Field of Search** ..... D14/462, 463-471;  
355/400, 401, 442, 489, 490, 471, 305

(56) **References Cited**

**U.S. PATENT DOCUMENTS**

4,404,598 A \* 9/1983 Sculli ..... 358/489  
4,622,591 A \* 11/1986 Katsuyama et al. .... 358/490

4,725,891 A \* 2/1988 Manian ..... 358/490  
4,816,923 A \* 3/1989 Saotome ..... 358/489  
5,099,342 A \* 3/1992 Ziegler ..... 358/490  
6,023,348 A \* 2/2000 Bose et al. .... 358/490

\* cited by examiner

*Primary Examiner*—Prabhakar Deshmukh

(74) *Attorney, Agent, or Firm*—Hogan & Hartson, LLP

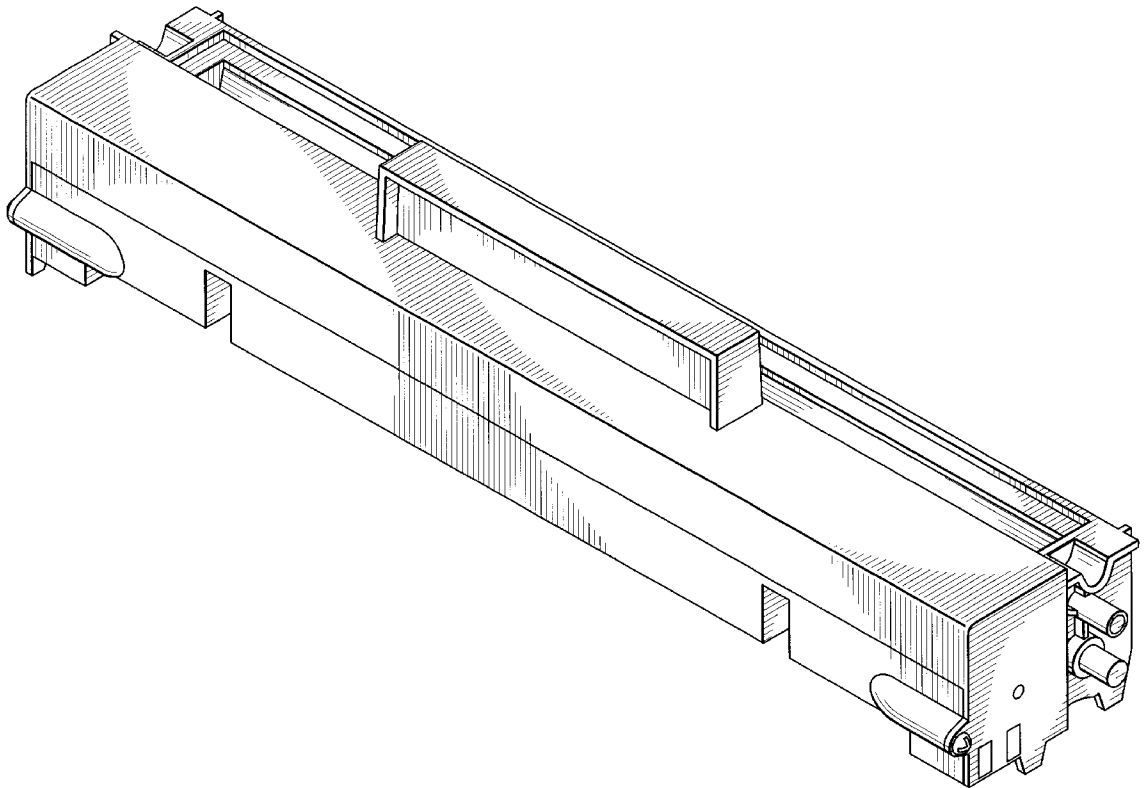
(57) **CLAIM**

The ornamental design for a drum unit for facsimile machine, as shown.

**DESCRIPTION**

FIG. 1 is a front view of a drum unit for facsimile machine, showing my new design;  
FIG. 2 is a rear view thereof;  
FIG. 3 is a plan view thereof;  
FIG. 4 is a right side view thereof;  
FIG. 5 is a left side view thereof;  
FIG. 6 is a bottom view thereof; and,  
FIG. 7 is a perspective view.

**1 Claim, 6 Drawing Sheets**



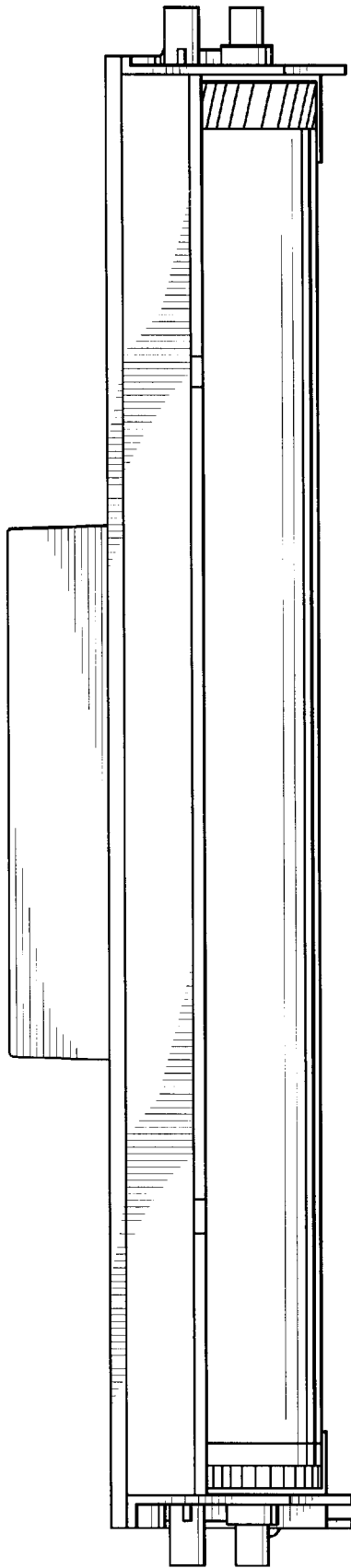


FIG. 1

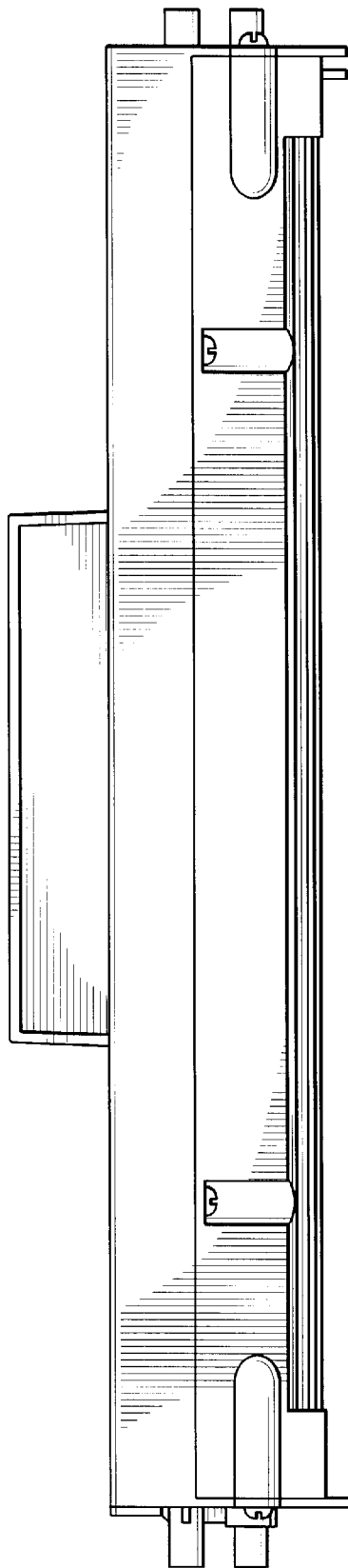


FIG. 2



FIG. 3

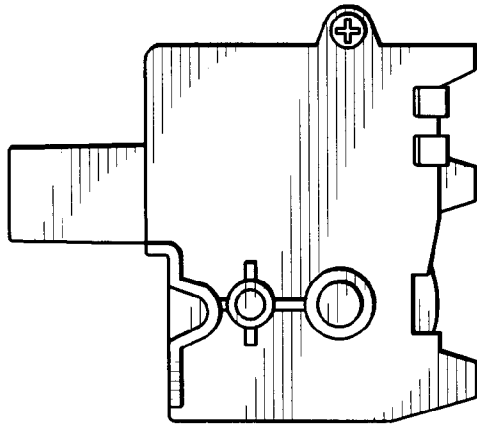


FIG. 4

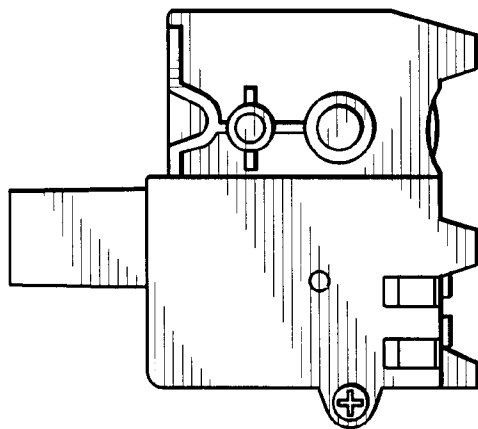


FIG. 5

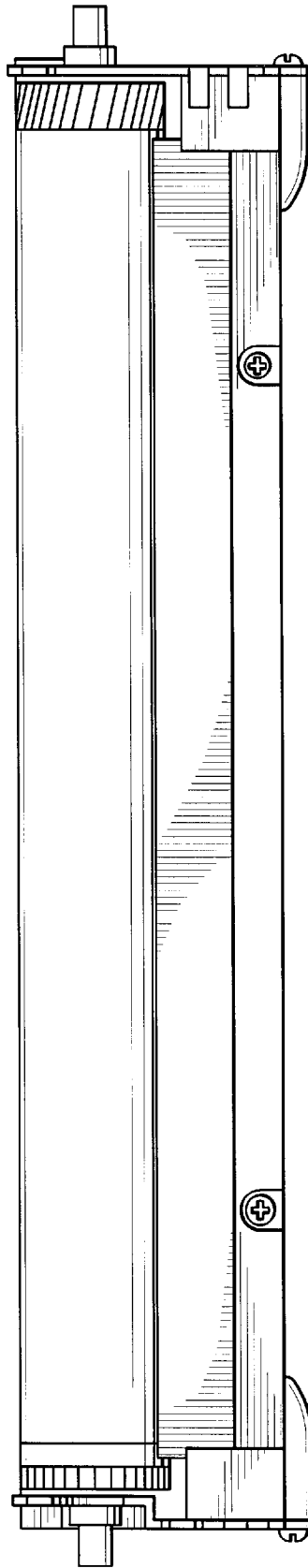


FIG. 6

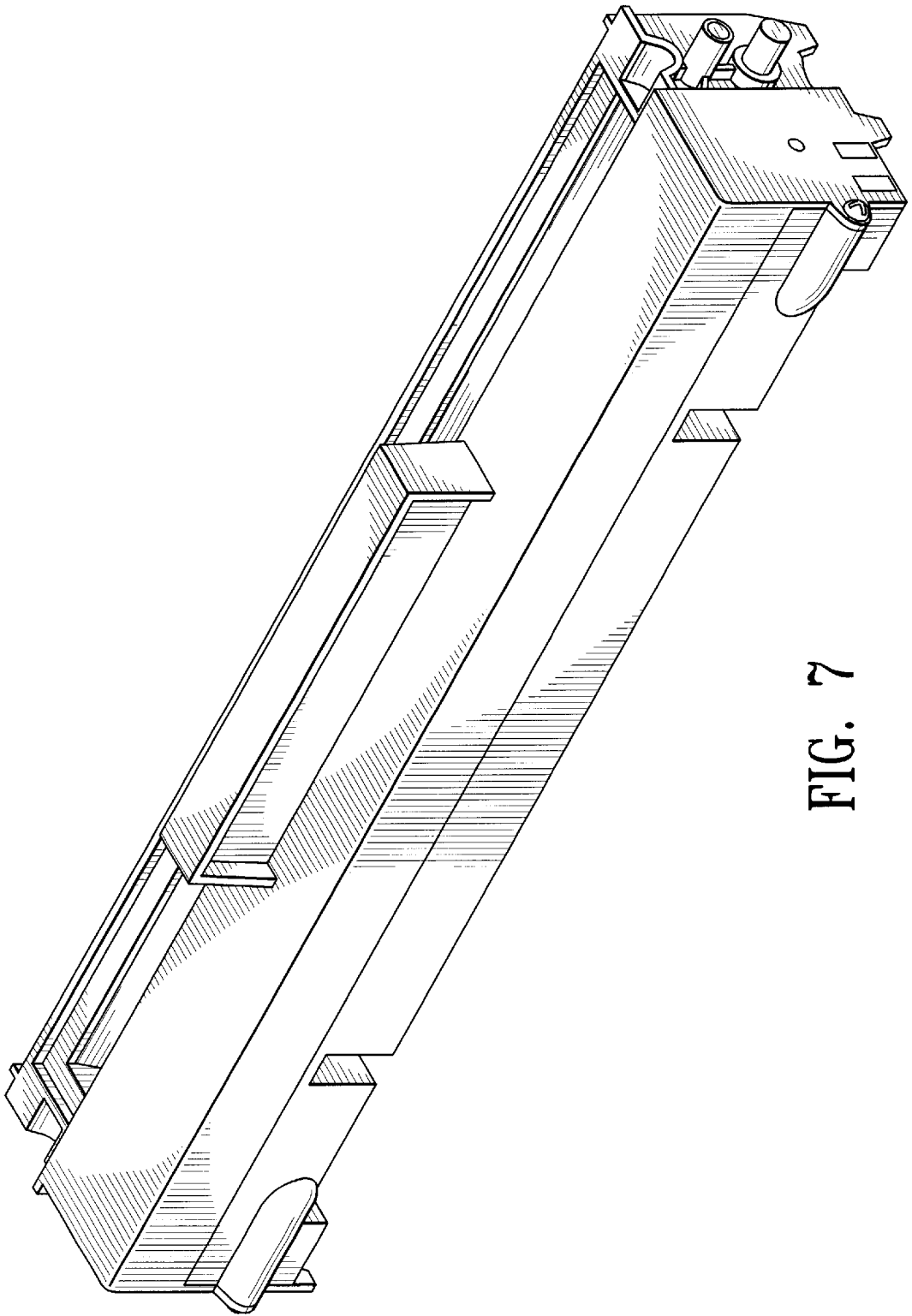


FIG. 7