

(19) World Intellectual Property
Organization
International Bureau



(43) International Publication Date
12 August 2004 (12.08.2004)

PCT

(10) International Publication Number
WO 2004/068602 A3

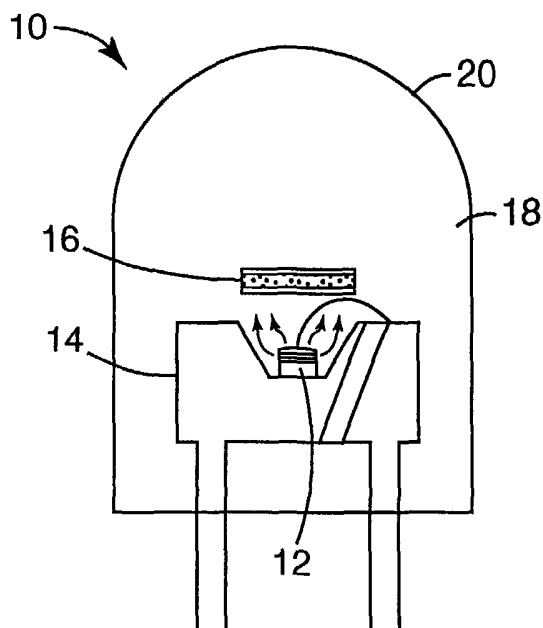
- (51) International Patent Classification⁷: **H01L 33/00**
- (21) International Application Number:
PCT/US2004/002205
- (22) International Filing Date: 27 January 2004 (27.01.2004)
- (25) Filing Language: English
- (26) Publication Language: English
- (30) Priority Data:
60/443,235 27 January 2003 (27.01.2003) US
60/443,274 27 January 2003 (27.01.2003) US
60/443,232 27 January 2003 (27.01.2003) US
- (71) Applicant (for all designated States except US): **3M INNOVATIVE PROPERTIES COMPANY** [US/US]; 3M Center, Post Office Box 33427, Saint Paul, MN 55133-3427 (US).
- (72) Inventors; and
- (75) Inventors/Applicants (for US only): **OUDERKIRK, Andrew, J.** [US/US]; Post Office Box 33427, Saint Paul, Minnesota 55133-3427 (US). **WEBER, Michael, F.** [US/US]; Post Office Box 33427, Saint Paul, Minnesota 55133-3427 (US).
- (74) Agents: **JENSEN, Stephen, C.** et al.; Office of Intellectual Property Counsel, P.O. Box 33427, Saint Paul, MN 55133-3427 (US).
- (81) Designated States (unless otherwise indicated, for every kind of national protection available): AE, AG, AL, AM, AT, AU, AZ, BA, BB, BG, BR, BW, BY, BZ, CA, CH, CN, CO, CR, CU, CZ, DE, DK, DM, DZ, EC, EE, EG, ES, FI, GB, GD, GE, GH, GM, HR, HU, ID, IL, IN, IS, JP, KE, KG, KP, KR, KZ, LC, LK, LR, LS, LT, LU, LV, MA, MD, MG, MK, MN, MW, MX, MZ, NA, NI, NO, NZ, OM, PG, PH, PL, PT, RO, RU, SC, SD, SE, SG, SK, SL, SY, TJ, TM, TN, TR, TT, TZ, UA, UG, US, UZ, VC, VN, YU, ZA, ZM, ZW.
- (84) Designated States (unless otherwise indicated, for every kind of regional protection available): ARIPO (BW, GH, GM, KE, LS, MW, MZ, SD, SL, SZ, TZ, UG, ZM, ZW), Eurasian (AM, AZ, BY, KG, KZ, MD, RU, TJ, TM), European (AT, BE, BG, CH, CY, CZ, DE, DK, EE, ES, FI, FR, GB, GR, HU, IE, IT, LU, MC, NL, PT, RO, SE, SI, SK, TR), OAPI (BF, BJ, CF, CG, CI, CM, GA, GN, GQ, GW, ML, MR, NE, SN, TD, TG).

Declarations under Rule 4.17:

— as to applicant's entitlement to apply for and be granted a patent (Rule 4.17(ii)) for the following designations AE, AG, AL, AM, AT, AU, AZ, BA, BB, BG, BR, BW, BY, BZ,

[Continued on next page]

(54) Title: PHOSPHOR BASED LIGHT SOURCES HAVING A REFLECTIVE POLARIZER



(57) Abstract: A LED package includes an LED that emits excitation light and an optically transparent body. A layer of phosphor material is positioned to receive the excitation light and is disposed on or in the optically transparent body. The phosphor material emits visible light when illuminated with the excitation light. A reflective polarizer layer is disposed on or in the optically transparent body and is positioned to receive the emitted visible light.

WO 2004/068602 A3



- CA, CH, CN, CO, CR, CU, CZ, DE, DK, DM, DZ, EC, EE, EG, ES, FI, GB, GD, GE, GH, GM, HR, HU, ID, IL, IN, IS, JP, KE, KG, KP, KR, KZ, LC, LK, LR, LS, LT, LU, LV, MA, MD, MG, MK, MN, MW, MX, MZ, NA, NI, NO, NZ, OM, PG, PH, PL, PT, RO, RU, SC, SD, SE, SG, SK, SL, SY, TJ, TM, TN, TR, TT, TZ, UA, UG, UZ, VC, VN, YU, ZA, ZM, ZW, ARIPO patent (BW, GH, GM, KE, LS, MW, MZ, SD, SL, SZ, TZ, UG, ZM, ZW), Eurasian patent (AM, AZ, BY, KG, KZ, MD, RU, TJ, TM), European patent (AT, BE, BG, CH, CY, CZ, DE, DK, EE, ES, FI, FR, GB, GR, HU, IE, IT, LU, MC, NL, PT, RO, SE, SI, SK, TR), OAPI patent (BF, BJ, CF, CG, CI, CM, GA, GN, GQ, GW, ML, MR, NE, SN, TD, TG)
- as to the applicant's entitlement to claim the priority of the earlier application (Rule 4.17(iii)) for all designations
 - as to the applicant's entitlement to claim the priority of the earlier application (Rule 4.17(iii)) for all designations
- Published:**
- with international search report
 - before the expiration of the time limit for amending the claims and to be republished in the event of receipt of amendments
- (88) Date of publication of the international search report:**
18 November 2004
- For two-letter codes and other abbreviations, refer to the "Guidance Notes on Codes and Abbreviations" appearing at the beginning of each regular issue of the PCT Gazette.*

INTERNATIONAL SEARCH REPORT

International Application No
PCT/US2004/002205

A. CLASSIFICATION OF SUBJECT MATTER IPC 7 H01L33/00				
According to International Patent Classification (IPC) or to both national classification and IPC				
B. FIELDS SEARCHED				
Minimum documentation searched (classification system followed by classification symbols) IPC 7 H01L B32B H01J H05B F21V H04N				
Documentation searched other than minimum documentation to the extent that such documents are included in the fields searched				
Electronic data base consulted during the international search (name of data base and, where practical, search terms used) EPO-Internal, PAJ, INSPEC				
C. DOCUMENTS CONSIDERED TO BE RELEVANT				
Category °	Citation of document, with indication, where appropriate, of the relevant passages	Relevant to claim No.		
Y	US 5 813 752 A (RONDA CORNELIS R ET AL) 29 September 1998 (1998-09-29) figures 1,3	1-15		
Y	EP 0 795 941 A (SHARP KK) 17 September 1997 (1997-09-17) column 7, lines 15-20; figure 2 column 7, lines 40-45	1-15		
A	US 6 155 699 A (MARS DANNY E ET AL) 5 December 2000 (2000-12-05) figure 2	1,4,5,11		
A	US 2002/180351 A1 (DOXSEE DANIEL DARCY ET AL) 5 December 2002 (2002-12-05) figure 5	1,4,5,12		
----- -/--				
<input checked="" type="checkbox"/> Further documents are listed in the continuation of box C.				
<input checked="" type="checkbox"/> Patent family members are listed in annex.				
° Special categories of cited documents :				
<table style="width: 100%; border: none;"> <tr> <td style="width: 50%; vertical-align: top; padding: 5px;"> *A* document defining the general state of the art which is not considered to be of particular relevance *E* earlier document but published on or after the international filing date *L* document which may throw doubts on priority claim(s) or which is cited to establish the publication date of another citation or other special reason (as specified) *O* document referring to an oral disclosure, use, exhibition or other means *P* document published prior to the international filing date but later than the priority date claimed </td> <td style="width: 50%; vertical-align: top; padding: 5px;"> *T* later document published after the international filing date or priority date and not in conflict with the application but cited to understand the principle or theory underlying the invention *X* document of particular relevance; the claimed invention cannot be considered novel or cannot be considered to involve an inventive step when the document is taken alone *Y* document of particular relevance; the claimed invention cannot be considered to involve an inventive step when the document is combined with one or more other such documents, such combination being obvious to a person skilled in the art. *&* document member of the same patent family </td> </tr> </table>			*A* document defining the general state of the art which is not considered to be of particular relevance *E* earlier document but published on or after the international filing date *L* document which may throw doubts on priority claim(s) or which is cited to establish the publication date of another citation or other special reason (as specified) *O* document referring to an oral disclosure, use, exhibition or other means *P* document published prior to the international filing date but later than the priority date claimed	*T* later document published after the international filing date or priority date and not in conflict with the application but cited to understand the principle or theory underlying the invention *X* document of particular relevance; the claimed invention cannot be considered novel or cannot be considered to involve an inventive step when the document is taken alone *Y* document of particular relevance; the claimed invention cannot be considered to involve an inventive step when the document is combined with one or more other such documents, such combination being obvious to a person skilled in the art. *&* document member of the same patent family
A document defining the general state of the art which is not considered to be of particular relevance *E* earlier document but published on or after the international filing date *L* document which may throw doubts on priority claim(s) or which is cited to establish the publication date of another citation or other special reason (as specified) *O* document referring to an oral disclosure, use, exhibition or other means *P* document published prior to the international filing date but later than the priority date claimed	*T* later document published after the international filing date or priority date and not in conflict with the application but cited to understand the principle or theory underlying the invention *X* document of particular relevance; the claimed invention cannot be considered novel or cannot be considered to involve an inventive step when the document is taken alone *Y* document of particular relevance; the claimed invention cannot be considered to involve an inventive step when the document is combined with one or more other such documents, such combination being obvious to a person skilled in the art. *&* document member of the same patent family			
Date of the actual completion of the international search <div style="text-align: center; font-size: 1.2em;">23 July 2004</div>		Date of mailing of the international search report <div style="text-align: center; font-size: 1.2em;">07/10/2004</div>		
Name and mailing address of the ISA European Patent Office, P.B. 5818 Patentlaan 2 NL - 2280 HV Rijswijk Tel. (+31-70) 340-2040, Tx. 31 651 epo nl, Fax: (+31-70) 340-3016		Authorized officer <div style="text-align: center; font-size: 1.2em;">Cabrita, A</div>		

INTERNATIONAL SEARCH REPORT

International Application No
PCT/US2004/002205

C.(Continuation) DOCUMENTS CONSIDERED TO BE RELEVANT		
Category °	Citation of document, with indication, where appropriate, of the relevant passages	Relevant to claim No.
A	US 2002/084749 A1 (AYALA RAUL E ET AL) 4 July 2002 (2002-07-04) figure 2 -----	1, 4, 12
A	WO 02/37568 A (3M INNOVATIVE PROPERTIES CO) 10 May 2002 (2002-05-10) page 2, lines 25-28; figure 1 page 4, lines 23-26 page 6, lines 23-25 -----	1-15
A	J. HAAREN, M. JOHNSON, A. SEMPEL, N. YOUNG, I. HUNTER, J. VEN: "Recent Advances in Displays for Portable Products" INTERNATIONAL DISPLAY FORUM ON LOWER DISPLAYS, 21 July 2000 (2000-07-21), pages 1-6, XP002289713 TOKYO page 2, paragraph 5; figure 3 -----	1, 13

INTERNATIONAL SEARCH REPORT

International Application No
PCT/US2004/002205

Patent document cited in search report		Publication date	Patent family member(s)	Publication date
US 5813752	A	29-09-1998	EP 0922306 A2	16-06-1999
			WO 9854930 A2	03-12-1998
			JP 2000515689 T	21-11-2000

EP 0795941	A	17-09-1997	GB 2311166 A	17-09-1997
			DE 69700573 D1	11-11-1999
			DE 69700573 T2	31-05-2000
			EP 0795941 A1	17-09-1997
			JP 3418082 B2	16-06-2003
			JP 10041590 A	13-02-1998
			US 6137819 A	24-10-2000

US 6155699	A	05-12-2000	NONE	

US 2002180351	A1	05-12-2002	EP 1390966 A1	25-02-2004
			WO 02089175 A1	07-11-2002

US 2002084749	A1	04-07-2002	US 2002084748 A1	04-07-2002

WO 0237568	A	10-05-2002	AU 4908501 A	15-05-2002
			EP 1330844 A1	30-07-2003
			JP 2004513483 T	30-04-2004
			WO 0237568 A1	10-05-2002
