

(19) World Intellectual Property Organization
International Bureau



(43) International Publication Date
6 December 2001 (06.12.2001)

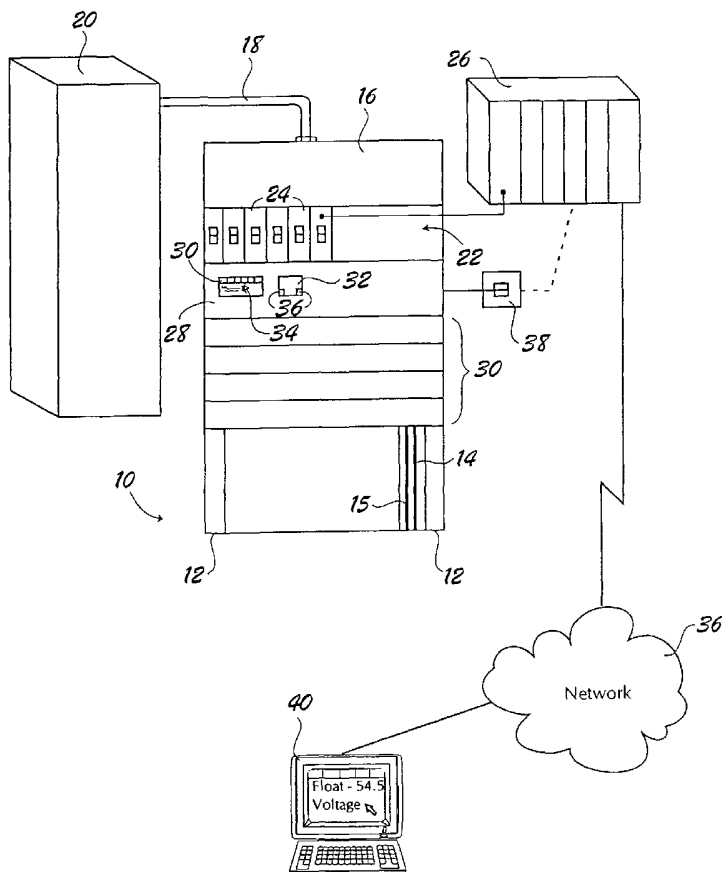
PCT

(10) International Publication Number
WO 01/093399 A3

- (51) International Patent Classification⁷: **H02J 9/06**, (71) Applicant (for all designated States except US): **ASTEC INTERNATIONAL LIMITED** [CN/CN]; 17/F, Lu Plaza, 2 Wing Yip Street, Kwun Tong, Kowloon, Hong Kong (SAR) (CN).
- G05B 19/418, 19/05
- (21) International Application Number: PCT/CA01/00809
- (22) International Filing Date: 1 June 2001 (01.06.2001) (71) Applicants and
- (25) Filing Language: English (72) Inventors: **DUGUAY, Louis** [CA/CA]; 465 Andras, Dollard-des-Ormeaux, Québec J3V 2A9 (CA). **DE VARENNE, Christian** [CA/CA]; 4745 Grosvenor, Montreal, Québec H3W 2L9 (CA).
- (26) Publication Language: English
- (30) Priority Data: (72) Inventor; and
- 09/587,097 2 June 2000 (02.06.2000) US (75) Inventor/Applicant (for US only): **LAVERGNE, Marc** [CA/CA]; 1092 Des Azalees, Ste-Dorothee, Québec H7Y 2C9 (CA).
- 09/587,096 2 June 2000 (02.06.2000) US
- (63) Related by continuation (CON) or continuation-in-part (CIP) to earlier applications: (74) Agent: **MACRAE & CO.**; P.O. Box 806, Station B, Ottawa, Ontario K1P 5T4 (CA).
- US 09/587,097 (CIP) (81) Designated States (national): AE, AG, AL, AM, AT, AU, AZ, BA, BB, BG, BR, BY, BZ, CA, CH, CN, CO, CR, CU,
- Filed on 2 June 2000 (02.06.2000)
- US 09/587,096 (CIP)
- Filed on 2 June 2000 (02.06.2000)

[Continued on next page]

(54) Title: BROWSER-ENABLED REMOTE USER INTERFACE FOR TELECOMMUNICATIONS POWER SYSTEMS



(57) Abstract: The modular master control unit of the telecommunications power system communicates via a data bus with the associated modular rectifier units, distribution unit(s) and battery connection unit(s) to collect operating state information from the neuron processors of those units and store that information in a database. The master control unit also controls the operation of the associated modular units by supplying operating state information, based on values stored in the database. The user interface manager module provides local user interface control over the system by allowing the user through a local display screen and touch pad to read from and write to the database. By downloading an applet to a remote computer running a web browser, the user interface manager allows users at remote locations to perform the same control and monitor functions as a user at the local site. The applet runs within the standard browser and communicates with the user interface manager using TCP/IP protocol..



WO 01/093399 A3



CZ, DE, DK, DM, DZ, EC, EE, ES, FI, GB, GD, GE, GH, GM, HR, HU, ID, IL, IN, IS, JP, KE, KG, KP, KR, KZ, LC, LK, LR, LS, LT, LU, LV, MA, MD, MG, MK, MN, MW, MX, MZ, NO, NZ, PL, PT, RO, RU, SD, SE, SG, SI, SK, SL, TJ, TM, TR, TT, TZ, UA, UG, US, UZ, VN, YU, ZA, ZW.

Published:

- *with international search report*
- *before the expiration of the time limit for amending the claims and to be republished in the event of receipt of amendments*

(84) Designated States (regional): ARIPO patent (GH, GM, KE, LS, MW, MZ, SD, SL, SZ, TZ, UG, ZW), Eurasian patent (AM, AZ, BY, KG, KZ, MD, RU, TJ, TM), European patent (AT, BE, CH, CY, DE, DK, ES, FI, FR, GB, GR, IE, IT, LU, MC, NL, PT, SE, TR), OAPI patent (BF, BJ, CF, CG, CI, CM, GA, GN, GW, ML, MR, NE, SN, TD, TG).

(88) Date of publication of the international search report:
17 October 2002

For two-letter codes and other abbreviations, refer to the "Guidance Notes on Codes and Abbreviations" appearing at the beginning of each regular issue of the PCT Gazette.

INTERNATIONAL SEARCH REPORT

International Application No
PCT/CA 01/00809A. CLASSIFICATION OF SUBJECT MATTER
IPC 7 H02J9/06 G05B19/418 G05B19/05

According to International Patent Classification (IPC) or to both national classification and IPC

B. FIELDS SEARCHED

Minimum documentation searched (classification system followed by classification symbols)
IPC 7 H02J G05B H04L

Documentation searched other than minimum documentation to the extent that such documents are included in the fields searched

Electronic data base consulted during the international search (name of data base and, where practical, search terms used)

EPO-Internal

C. DOCUMENTS CONSIDERED TO BE RELEVANT

Category °	Citation of document, with indication, where appropriate, of the relevant passages	Relevant to claim No.
Y	US 5 982 652 A (SIMONELLI ET AL.) 9 November 1999 (1999-11-09)	1, 2, 5-13, 16-28
A	column 4, line 36-44 column 6, line 14-59 column 8, line 5-49; figures 2,6,8-10 column 1, line 55 -column 3, line 10 column 3, line 44-54 column 4, line 36-44 column 4, line 66 -column 5, line 16 column 6, line 14-40 column 8, line 5-34 column 12, line 49-61; figures 6-10 --- -/--	29



Further documents are listed in the continuation of box C.



Patent family members are listed in annex.

° Special categories of cited documents :

- "A" document defining the general state of the art which is not considered to be of particular relevance
- "E" earlier document but published on or after the international filing date
- "L" document which may throw doubts on priority claim(s) or which is cited to establish the publication date of another citation or other special reason (as specified)
- "O" document referring to an oral disclosure, use, exhibition or other means
- "P" document published prior to the international filing date but later than the priority date claimed

"T" later document published after the international filing date or priority date and not in conflict with the application but cited to understand the principle or theory underlying the invention

"X" document of particular relevance; the claimed invention cannot be considered novel or cannot be considered to involve an inventive step when the document is taken alone

"Y" document of particular relevance; the claimed invention cannot be considered to involve an inventive step when the document is combined with one or more other such documents, such combination being obvious to a person skilled in the art.

"&" document member of the same patent family

Date of the actual completion of the international search

23 July 2002

Date of mailing of the international search report

09. 08. 2002

Name and mailing address of the ISA

European Patent Office, P.B. 5818 Patentlaan 2
NL - 2280 HV Rijswijk
Tel. (+31-70) 340-2040, Tx. 31 651 epo nl,
Fax: (+31-70) 340-3016

Authorized officer

Beitner, M

INTERNATIONAL SEARCH REPORT

International Application No
PCT/CA 01/00809

C.(Continuation) DOCUMENTS CONSIDERED TO BE RELEVANT

Category *	Citation of document, with indication, where appropriate, of the relevant passages	Relevant to claim No.
Y	<p>EP 0 825 506 A (FOXBORO CORPORATION) 25 February 1998 (1998-02-25)</p> <p>abstract column 1, line 49 -column 2, line 16 column 2, line 32 -column 5, line 35 column 6, line 57 -column 7, line 18 column 7, line 47 -column 8, line 14; figure 1</p>	1,2, 5-13, 16-28
A	<p>US 6 061 603 A (PAPADOPOULOS ET AL.) 9 May 2000 (2000-05-09)</p> <p>abstract column 3, line 32 -column 4, line 50; figures 1,2</p>	1,2,5-7, 11-13, 16-18,22
A	<p>WO 98 53581 A (COACTIVE NETWORKS, INC.) 26 November 1998 (1998-11-26)</p> <p>abstract page 1, line 13-31 page 3, line 13 -page 6, line 4 page 7, line 24 -page 10, line 31; figures 1,2</p>	1,2,5-7, 11-13, 16-18,22
A	<p>WO 97 18636 A (WEBTRONICS, INC.) 22 May 1997 (1997-05-22)</p> <p>abstract page 1, line 20 -page 2, line 12 page 3, line 4-18 page 3, line 27 -page 4, line 28 page 5, line 12 -page 7, line 16; figures 1,3</p>	1,3,5, 11,12, 14,16,22
E	<p>US 2002/001051 A1 (CRATTY) 3 January 2002 (2002-01-03) page 2, paragraph 21</p>	29
A	<p>& WO 99 60687 A (CANTOR) 25 November 1999 (1999-11-25)</p>	29
A	<p>US 5 371 666 A (MILLER) 6 December 1994 (1994-12-06) abstract column 2, line 31-49 column 3, line 38-41 column 8, line 8-36 column 16, line 23-50; figures 1,2,13</p>	29
	-/--	

INTERNATIONAL SEARCH REPORT

International Application No
PCT/CA 01/00809

C.(Continuation) DOCUMENTS CONSIDERED TO BE RELEVANT		
Category °	Citation of document, with indication, where appropriate, of the relevant passages	Relevant to claim No.
A	US 4 673 826 A (MASSON) 16 June 1987 (1987-06-16) column 1, line 26-43 column 2, line 1-4 column 3, line 47 -column 4, line 11; figures 1,2 -----	29

INTERNATIONAL SEARCH REPORT

International application No.
PCT/CA 01/00809

Box I Observations where certain claims were found unsearchable (Continuation of item 1 of first sheet)

This International Search Report has not been established in respect of certain claims under Article 17(2)(a) for the following reasons:

1. Claims Nos.:
because they relate to subject matter not required to be searched by this Authority, namely:

2. Claims Nos.:
because they relate to parts of the International Application that do not comply with the prescribed requirements to such an extent that no meaningful International Search can be carried out, specifically:

3. Claims Nos.:
because they are dependent claims and are not drafted in accordance with the second and third sentences of Rule 6.4(a).

Box II Observations where unity of invention is lacking (Continuation of item 2 of first sheet)

This International Searching Authority found multiple inventions in this international application, as follows:

see additional sheet

1. As all required additional search fees were timely paid by the applicant, this International Search Report covers all searchable claims.

2. As all searchable claims could be searched without effort justifying an additional fee, this Authority did not invite payment of any additional fee.

3. As only some of the required additional search fees were timely paid by the applicant, this International Search Report covers only those claims for which fees were paid, specifically claims Nos.:

4. No required additional search fees were timely paid by the applicant. Consequently, this International Search Report is restricted to the invention first mentioned in the claims; it is covered by claims Nos.:

Remark on Protest

- The additional search fees were accompanied by the applicant's protest.
- No protest accompanied the payment of additional search fees.

FURTHER INFORMATION CONTINUED FROM PCT/ISA/ 210

This International Searching Authority found multiple (groups of) inventions in this international application, as follows:

1. Claims: 1-28

A remote user interface based on an INTERNET Browser to control and monitor telecommunications power supply systems

2. Claims: 29-39

An automated upgrade analyzer for a telecommunications power system incorporating a user interface module for communicating over a network with a remote host computer

INTERNATIONAL SEARCH REPORT

Information on patent family members

International Application No

PCT/CA 01/00809

Patent document cited in search report		Publication date	Patent family member(s)	Publication date
US 5982652	A	09-11-1999	US 6201319 B1 US 2001011845 A1	13-03-2001 09-08-2001
EP 825506	A	25-02-1998	EP 0825506 A2	25-02-1998
US 6061603	A	09-05-2000	US 6282454 B1 EP 0937289 A1 JP 2001506104 T WO 9913418 A1 US 6151625 A US 2002091784 A1 US 2001003804 A1	28-08-2001 25-08-1999 08-05-2001 18-03-1999 21-11-2000 11-07-2002 14-06-2001
WO 9853581	A	26-11-1998	EP 1013047 A1 JP 2002512758 T WO 9853581 A1	28-06-2000 23-04-2002 26-11-1998
WO 9718636	A	22-05-1997	AU 7706596 A WO 9718636 A2	05-06-1997 22-05-1997
US 2002001051	A1	03-01-2002	NONE	
US 5371666	A	06-12-1994	NONE	
US 4673826	A	16-06-1987	NONE	