



(51) International Patent Classification:

A61L 2/26 (2006.01) B65G 13/11 (2006.01)  
B65G 65/00 (2006.01) A61L 2/07 (2006.01)  
B65G 69/28 (2006.01)

(21) International Application Number:

PCT/EP2017/062771

(22) International Filing Date:

26 May 2017 (26.05.2017)

(25) Filing Language:

English

(26) Publication Language:

English

(30) Priority Data:

102016000055130 27 May 2016 (27.05.2016) IT

(71) Applicant: STEELCO S.P.A. [IT/IT]; Via Balegante, 27,  
31039 RIESE PIO X (IT).

(72) Inventors: ZARDINI, Fabio; Via Steffani, 27, 31033  
CASTELFRANCO VENETO (IT). CAPOVILLA, Ivone;  
Via Volon, 33, 31037 LORIA (IT).

(74) Agent: PETRAZ, Gilberto Luigi et al.; GLP SRL, Viale  
Europa Unita, 171, 33100 UDINE (IT).

(81) Designated States (unless otherwise indicated, for every  
kind of national protection available): AE, AG, AL, AM,  
AO, AT, AU, AZ, BA, BB, BG, BH, BN, BR, BW, BY, BZ,  
CA, CH, CL, CN, CO, CR, CU, CZ, DE, DJ, DK, DM, DO,  
DZ, EC, EE, EG, ES, FI, GB, GD, GE, GH, GM, GT, HN,  
HR, HU, ID, IL, IN, IR, IS, JP, KE, KG, KH, KN, KP, KR,  
KW, KZ, LA, LC, LK, LR, LS, LU, LY, MA, MD, ME, MG,  
MK, MN, MW, MX, MY, MZ, NA, NG, NI, NO, NZ, OM,  
PA, PE, PG, PH, PL, PT, QA, RO, RS, RU, RW, SA, SC,  
SD, SE, SG, SK, SL, SM, ST, SV, SY, TH, TJ, TM, TN, TR,  
TT, TZ, UA, UG, US, UZ, VC, VN, ZA, ZM, ZW.

(54) Title: MACHINE FOR TREATING, IN PARTICULAR STERILIZING, OBJECTS

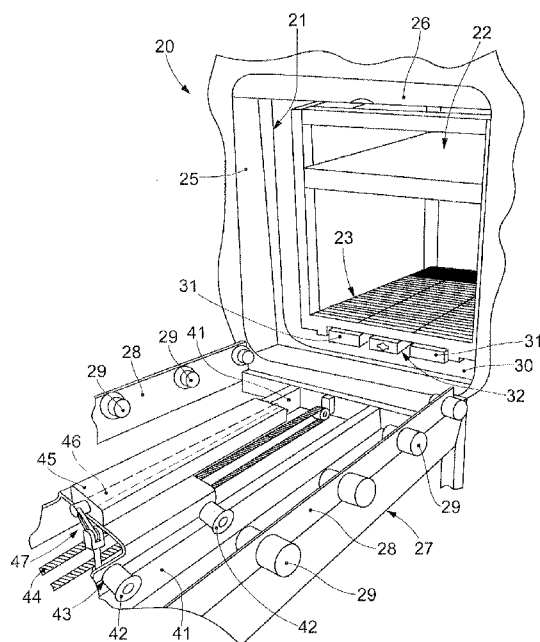


fig. 1

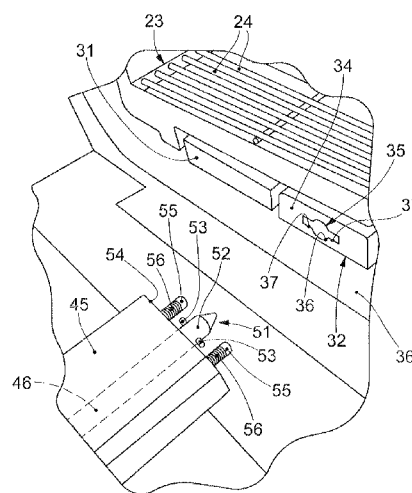


fig. 2

(57) Abstract: Machine for treating, in particular sterilizing, objects, comprising at least a treatment chamber (21) and at least one object-carrier container (22, 22a, 22b) houseable in said treatment chamber (21) through at least one aperture (25) of the treatment chamber (21), said machine comprising: at least a first mobile unit (43) positioned outside the treatment chamber (21); at least a second mobile unit (32) positionable inside the treatment chamber (21), and associable with the first mobile unit (43) outside the treatment chamber (21) by means of joint means (35, 51); the second mobile unit (32) is provided with at least a sliding surface (38) near to the object-carrier container (22, 22a, 22b) and at least an attachment element (39) selectively protruding from said sliding surface (38) and provided with elastic return means (40) suitable to keep it in a raised or lowered position with respect to the sliding surface (38) of the second mobile unit (32), the attachment element (39) is also provided with at least one concavity (59) facing toward the aperture (25)



**(84) Designated States** (*unless otherwise indicated, for every kind of regional protection available*): ARIPO (BW, GH, GM, KE, LR, LS, MW, MZ, NA, RW, SD, SL, ST, SZ, TZ, UG, ZM, ZW), Eurasian (AM, AZ, BY, KG, KZ, RU, TJ, TM), European (AL, AT, BE, BG, CH, CY, CZ, DE, DK, EE, ES, FI, FR, GB, GR, HR, HU, IE, IS, IT, LT, LU, LV, MC, MK, MT, NL, NO, PL, PT, RO, RS, SE, SI, SK, SM, TR), OAPI (BF, BJ, CF, CG, CI, CM, GA, GN, GQ, GW, KM, ML, MR, NE, SN, TD, TG).

**Published:**

- *with international search report (Art. 21(3))*
- *before the expiration of the time limit for amending the claims and to be republished in the event of receipt of amendments (Rule 48.2(h))*

**(88) Date of publication of the international search report:**

18 January 2018 (18.01.2018)

INTERNATIONAL SEARCH REPORT

International application No  
PCT/EP2017/062771

A. CLASSIFICATION OF SUBJECT MATTER  
INV. A61L2/26 B65G65/00 B65G69/28 B65G13/11 A61L2/07  
ADD.  
According to International Patent Classification (IPC) or to both national classification and IPC

B. FIELDS SEARCHED  
Minimum documentation searched (classification system followed by classification symbols)  
A61L B65G A21B  
Documentation searched other than minimum documentation to the extent that such documents are included in the fields searched

Electronic data base consulted during the international search (name of data base and, where practicable, search terms used)  
EPO-Internal, WPI Data

C. DOCUMENTS CONSIDERED TO BE RELEVANT		
Category*	Citation of document, with indication, where appropriate, of the relevant passages	Relevant to claim No.
X	WO 2015/145383 A1 (ICOS PHARMA S P A [IT]) 1 October 2015 (2015-10-01) claims 1-24; figures 1-10	1-5,9, 12-14 6-8
Y	----- US 2011/262319 A1 (SVENSSON STAFFAN [SE]) 27 October 2011 (2011-10-27)  paragraph [0026] - paragraph [0027]; claim 1; figures 1-15	1,4, 9-11,13, 14
Y	----- US 5 641 260 A (GRAY STEPHEN JAY [US]) 24 June 1997 (1997-06-24) claims 1-4; figures 1-5	6-8
A	----- WO 2015/033290 A1 (IMA SPA [IT]) 12 March 2015 (2015-03-12) page 6, line 17 - page 7, line 33; figures 1, 3a, 3b	1-5,9-14
	----- -/--	

Further documents are listed in the continuation of Box C.  See patent family annex.

\* Special categories of cited documents :

"A" document defining the general state of the art which is not considered to be of particular relevance	"T" later document published after the international filing date or priority date and not in conflict with the application but cited to understand the principle or theory underlying the invention
"E" earlier application or patent but published on or after the international filing date	"X" document of particular relevance; the claimed invention cannot be considered novel or cannot be considered to involve an inventive step when the document is taken alone
"L" document which may throw doubts on priority claim(s) or which is cited to establish the publication date of another citation or other special reason (as specified)	"Y" document of particular relevance; the claimed invention cannot be considered to involve an inventive step when the document is combined with one or more other such documents, such combination being obvious to a person skilled in the art
"O" document referring to an oral disclosure, use, exhibition or other means	"&" document member of the same patent family
"P" document published prior to the international filing date but later than the priority date claimed	

Date of the actual completion of the international search  8 December 2017	Date of mailing of the international search report  21/12/2017
--	--

Name and mailing address of the ISA/ European Patent Office, P.B. 5818 Patentlaan 2 NL - 2280 HV Rijswijk Tel. (+31-70) 340-2040, Fax: (+31-70) 340-3016	Authorized officer  García Alonso, Nuria
--	--

## INTERNATIONAL SEARCH REPORT

International application No  
PCT/EP2017/062771

C(Continuation). DOCUMENTS CONSIDERED TO BE RELEVANT		
Category*	Citation of document, with indication, where appropriate, of the relevant passages	Relevant to claim No.
A	US 5 441 376 A (NAPIERKOWSKI SUSAN M [US] ET AL) 15 August 1995 (1995-08-15) claims 1-7; figures 1-15 -----	1-5,9-14
A	US 7 815 851 B1 (LEWIS ROBERT W [US]) 19 October 2010 (2010-10-19) figure 8 -----	4,5

# INTERNATIONAL SEARCH REPORT

International application No.  
PCT/EP2017/062771

## Box No. II Observations where certain claims were found unsearchable (Continuation of item 2 of first sheet)

This international search report has not been established in respect of certain claims under Article 17(2)(a) for the following reasons:

1.  Claims Nos.:  
because they relate to subject matter not required to be searched by this Authority, namely:
  
2.  Claims Nos.:  
because they relate to parts of the international application that do not comply with the prescribed requirements to such an extent that no meaningful international search can be carried out, specifically:
  
3.  Claims Nos.:  
because they are dependent claims and are not drafted in accordance with the second and third sentences of Rule 6.4(a).

## Box No. III Observations where unity of invention is lacking (Continuation of item 3 of first sheet)

This International Searching Authority found multiple inventions in this international application, as follows:

see additional sheet

1.  As all required additional search fees were timely paid by the applicant, this international search report covers all searchable claims.
  
2.  As all searchable claims could be searched without effort justifying an additional fees, this Authority did not invite payment of additional fees.
  
3.  As only some of the required additional search fees were timely paid by the applicant, this international search report covers only those claims for which fees were paid, specifically claims Nos.:
  
4.  No required additional search fees were timely paid by the applicant. Consequently, this international search report is restricted to the invention first mentioned in the claims; it is covered by claims Nos.:

### Remark on Protest

- The additional search fees were accompanied by the applicant's protest and, where applicable, the payment of a protest fee.
- The additional search fees were accompanied by the applicant's protest but the applicable protest fee was not paid within the time limit specified in the invitation.
- No protest accompanied the payment of additional search fees.

**FURTHER INFORMATION CONTINUED FROM PCT/ISA/ 210**

This International Searching Authority found multiple (groups of) inventions in this international application, as follows:

1. claims: 4, 5(completely); 1-3, 9-14(partially)

System comprising a first and second mobile units for loading/unloading objects from a chamber wherein the second mobile unit comprises at least one attachment element for engaging the load.

---

2. claims: 6-8(completely); 1-3, 9-14(partially)

system comprising a first and second mobile units for loading/unloading objects from a chamber wherein the system comprises special means for coupling said first and said second mobile unit.

---

# INTERNATIONAL SEARCH REPORT

Information on patent family members

International application No PCT/EP2017/062771
---

Patent document cited in search report	Publication date	Patent family member(s)	Publication date
WO 2015145383 A1	01-10-2015	EP 3122387 A1 WO 2015145383 A1	01-02-2017 01-10-2015
US 2011262319 A1	27-10-2011	GB 2479973 A SE 1050411 A1 US 2011262319 A1	02-11-2011 27-10-2011 27-10-2011
US 5641260 A	24-06-1997	NONE	
WO 2015033290 A1	12-03-2015	CN 105705894 A EP 3042139 A1 JP 2016535235 A US 2016193376 A1 WO 2015033290 A1	22-06-2016 13-07-2016 10-11-2016 07-07-2016 12-03-2015
US 5441376 A	15-08-1995	NONE	
US 7815851 B1	19-10-2010	US 7815851 B1 US 2011070124 A1	19-10-2010 24-03-2011