

(21) Application No: **1702087.6**
 (22) Date of Filing: **08.02.2017**

(71) Applicant(s):
Tradestock Limited
(Incorporated in the United Kingdom)
Winchester House, Deane Gate Avenue, TAUNTON,
Somerset, TA1 2UH, United Kingdom

(72) Inventor(s):
Duncan John Babington

(74) Agent and/or Address for Service:
Bryers LLP
7 Gay Street, BATH, BA1 2PH, United Kingdom

(51) INT CL:
A47J 47/00 (2006.01)

(56) Documents Cited:
CN 202636749 U **CN 201855182 U**
US 20150123331 A1 **US 20120034427 A1**
US D690565

(58) Field of Search:
 INT CL **A47J**
 Other: **WPI, EPODOC, Internet**

(54) Title of the Invention: **A board**
 Abstract Title: **A chopping board apparatus comprising nested chopping boards**

(57) A chopping board apparatus comprises a first board 102 and a second board 105. A first side 103 of the first board comprises a planar surface, whilst a first side 106 of the second board comprises a planar surface and a recessed region 201. The first board is receivable within the recessed region of the first side of the second board such that the first board is releasably engaged with the second board and such that planar surfaces of the first and second boards together form a continuous planar board face 108. The first board may releasably engage the second board by friction fit or by snap fit. Both the first and second boards may be rectangular, may comprise a plastics material and may have a handle aperture. The apparatus may further comprise a third board which comprises a recessed region, such that the second board may be received in the recessed region of the third board in a similar manner as the first board is received in the second board.

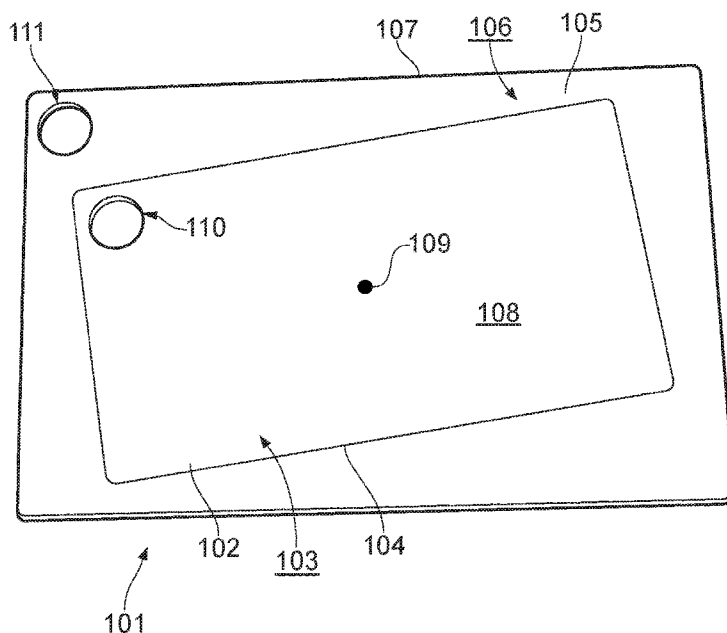


FIG. 1

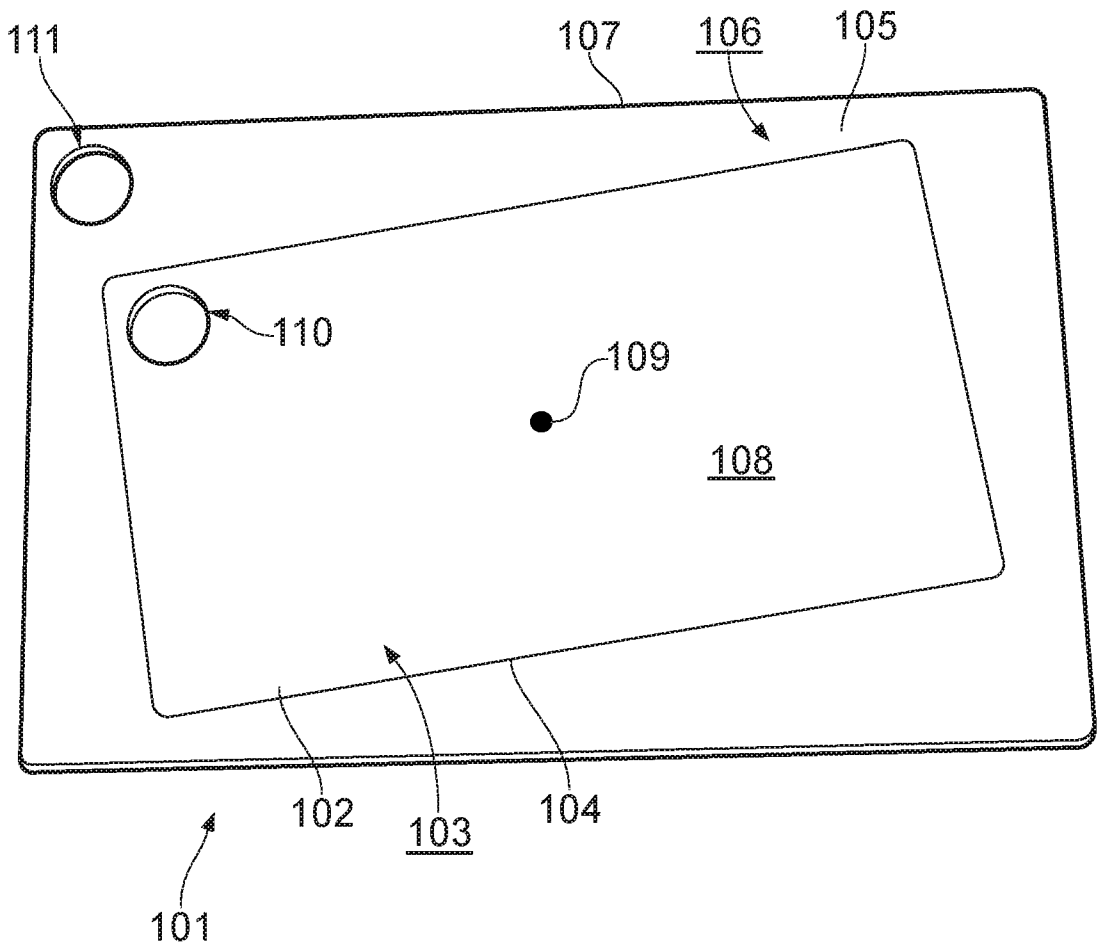


FIG. 1

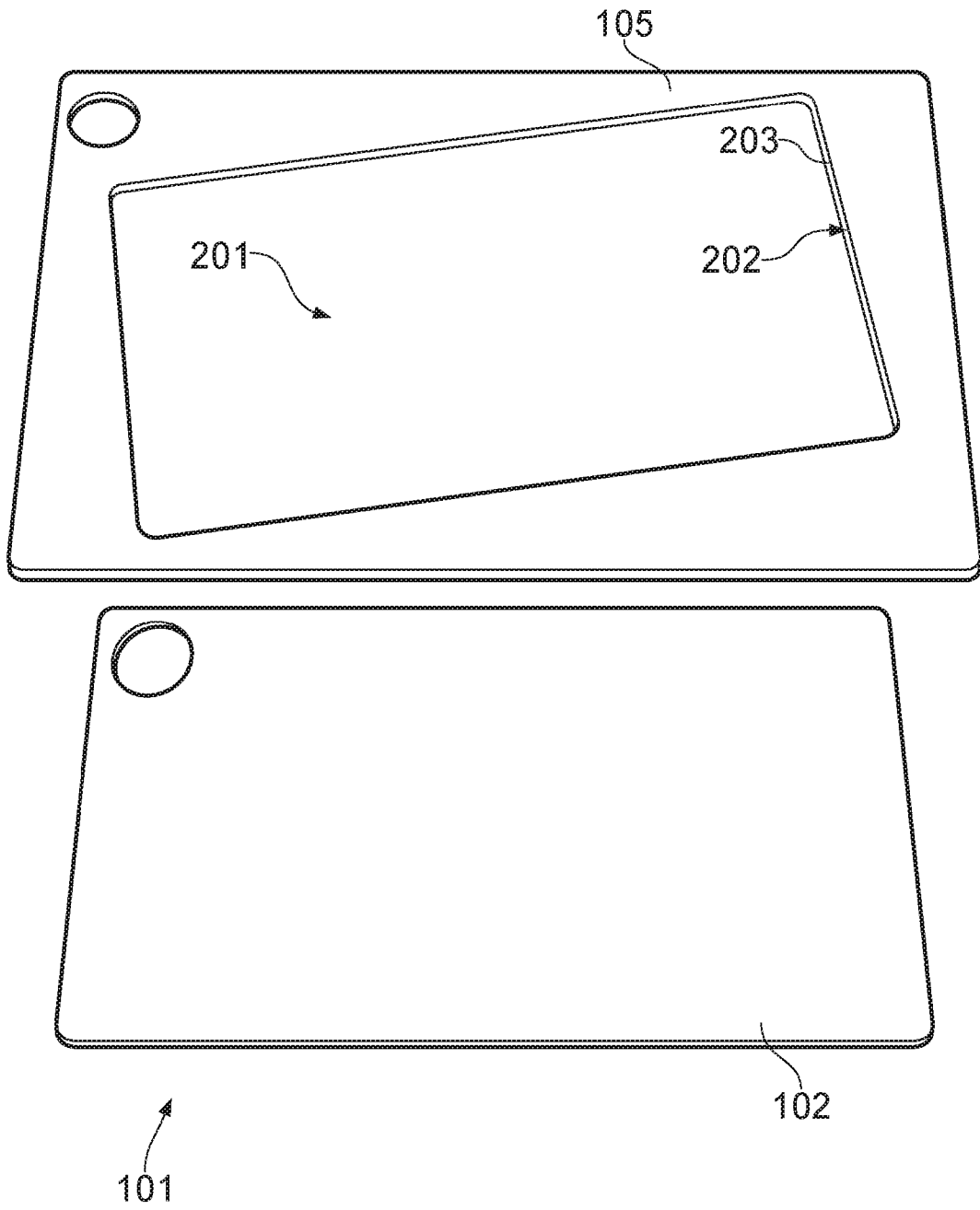


FIG. 2

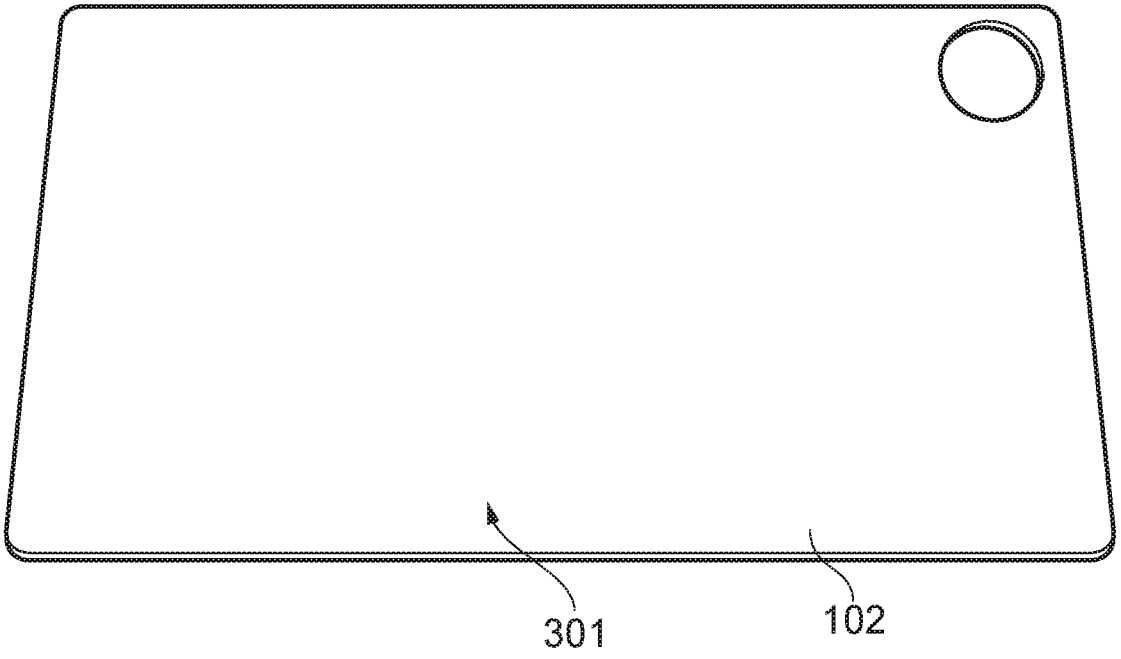


FIG. 3

19 02 18

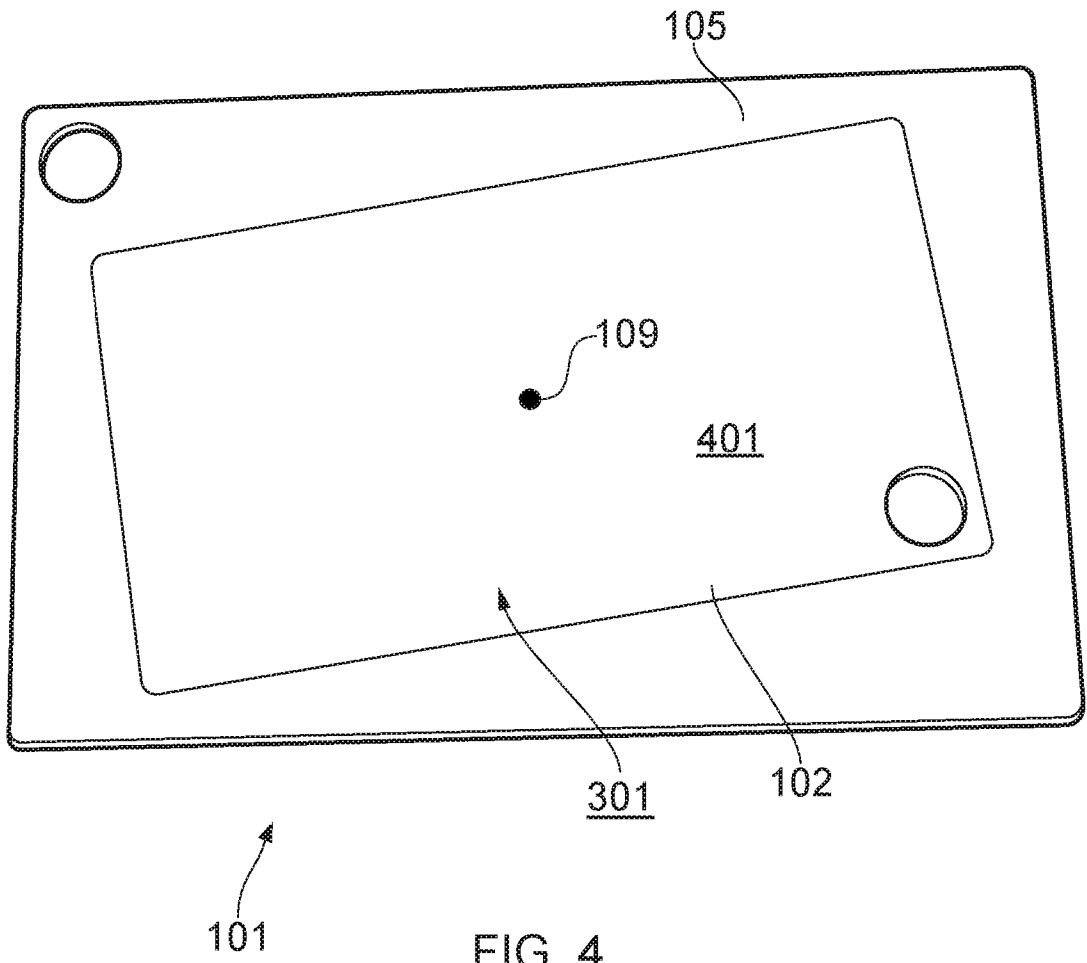


FIG. 4

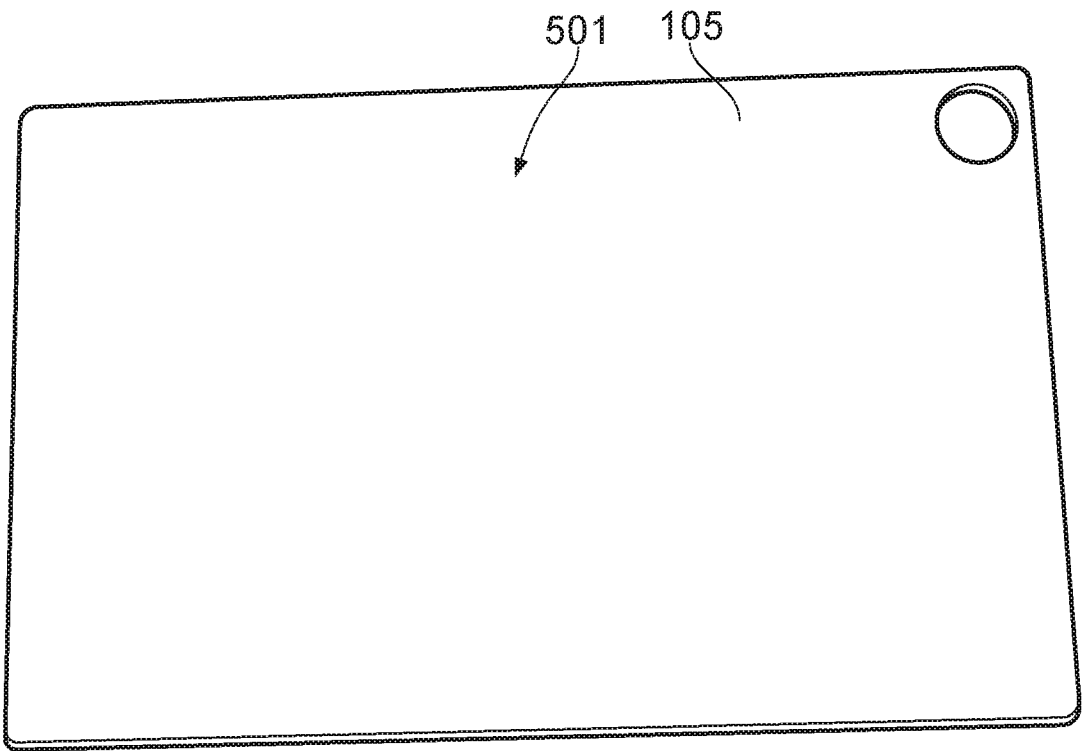


FIG. 5

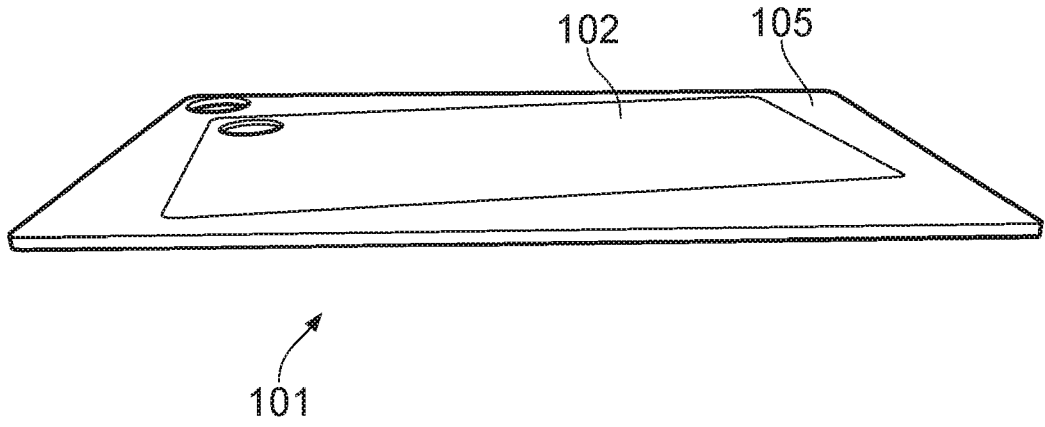


FIG. 6

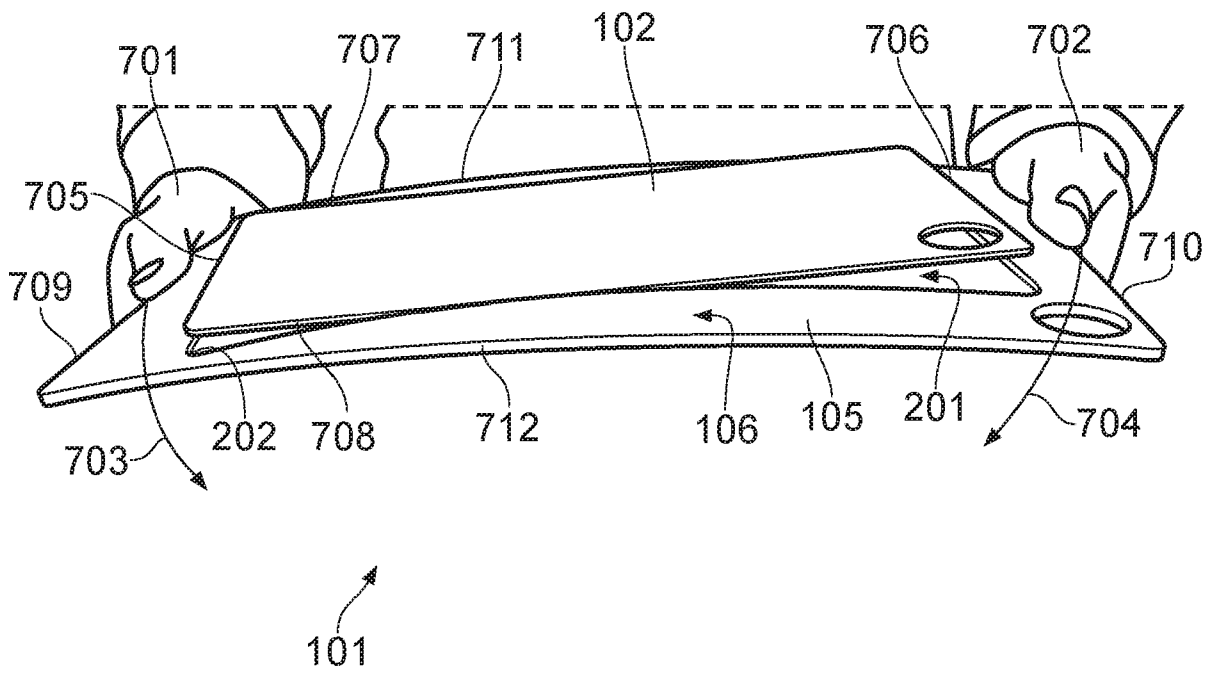


FIG. 7

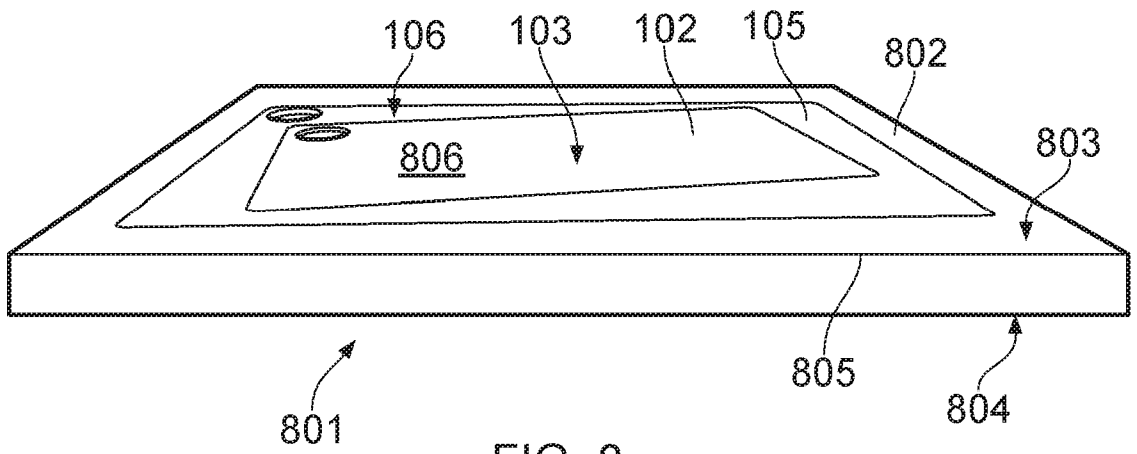


FIG. 8

A BOARD

Field of the Invention

The present invention relates to a board, in particular to apparatus for use as a
5 chopping board.

Background of the Invention

Chopping boards, on which different types of food may be chopped, sliced, cut or
otherwise prepared, are known. Materials from which known chopping boards are
10 made include plastics, wood, glass and marble. The material from which a chopping
board is made may be selected for practical and/or aesthetic reasons. For example,
some materials are: more likely to blunt or damage a sharp knife, heavier, more
durable, less likely to stain or retain odours, less likely to harbour bacteria.

15 Bacteria or allergens can be transmitted from one food to another by hands, knives
and surfaces. To reduce the risk of cross-contamination between different foods from
a chopping board surface, it is known for commercial kitchens to use colour-coded
sets of chopping boards, with the colour indicating which type of foodstuff the
chopping board should be used for. For example, the Food Standards Agency
20 recommends that the following red for raw meat, blue for raw fish, yellow for cooked
meat, brown for vegetables, green for salads and fruit, white for bakery and dairy.

Summary of the Invention

According to a first aspect there is provided apparatus for use as a chopping board,
25 comprising: a first board having a first side, a second side and a perimeter, and a
second board having a first side, a second side and a perimeter; a first side of the first
board comprises a substantially planar surface, a first side of the second board
comprises a substantially planar surface and a recessed region that is recessed from the
substantially planar surface, and the first board is receivable within the recessed region
30 of the first side of the second board such that: the first board is releasably engaged
with the second board, and the substantially planar surface of the first side of the first

board and the substantially planar surface of the first side of the second board together form a substantially continuous, substantially planar board face.

5 In an embodiment, the first board releasably engages with the second board by a snap fit. In an embodiment, the first board releasably engages with the second board by a friction fit.

10 In an embodiment, the first board is receivable within the recessed region of the first side of the second board such that the entire perimeter of the second board is surrounded by the substantially planar surface of the first side of the second board.

In an embodiment, the second side of the first board comprises a substantially planar surface.

15 In an example, the first board is receivable within the recessed region of the first side of the second board such that the substantially planar surface of the first side of the first board and the substantially planar surface of the second side of the second board together form a substantially continuous, substantially planar board face.

20 In an embodiment, the second side of the second board comprises a substantially planar surface.

The perimeter of the first board may define a substantially rectangular shape. The perimeter of the second board may define a substantially rectangular shape.

25 The first board may define a handle aperture therethrough for facilitating one or both of: handling, storage. The second board may define an aperture therethrough for facilitating one or both of: handling, storage.

30 The first board may comprise a plastics material. The second board may comprise a plastics material.

In an embodiment, the apparatus further comprises a third board having a first side, a second side and a perimeter, the first side of the third board comprises a substantially planar surface and a recessed region that is recessed from the substantially planar surface, and the second board is receivable within the recessed region of the first side of the third board such that: when the first board is received within the recessed region of the first side of the second board and the second board is received within the recessed region of the first side of the third board, the substantially planar surface of the first side of the first board, the substantially planar surface of the first side of the second board and the substantially planar surface of the first side of the third board together form a substantially continuous, substantially planar board face.

In an example, the first board, the second board and the third board comprise a plastics material.

In an example, the first board and the second board comprise a plastics material and the third board comprises wood.

In an example, the first side of the first board has a first aesthetic appearance and the first side of the second board has a second aesthetic appearance that is different from the first aesthetic appearance.

Further particular and preferred aspects of the invention are set out in the accompanying dependent claims.

Brief Description of the Drawings

The present invention will now be more particularly described, with reference to the accompanying drawings, in which:

Figure 1 shows apparatus according to a first embodiment comprising a first board and a second board in a first condition with a first side of the first board visible;

Figure 2 shows the apparatus of **Figure 1** in a second condition;

Figure 3 shows a second side of the first board of the apparatus of **Figure 1**;

Figure 4 shows the apparatus of **Figure 1** in the first condition with the second side of the first board visible;

Figure 5 shows a second side of the second board of the apparatus of **Figure 1**;

Figures 6 & 7 shows a feature of the apparatus of **Figure 1**; and

5 **Figure 8** shows apparatus according to a second embodiment, comprising the apparatus of the **Figure 1** and a third board, in a first condition.

Description

10 Example embodiments are described below in sufficient detail to enable those of ordinary skill in the art to embody and implement the apparatus, systems and processes described herein. It is to be understood that embodiments can be provided in many alternate forms and the invention should not be construed as limited to the examples set forth herein but by the scope of the appended claims.

15 The present invention will now be described with reference to **Figures 1 to 7**, which show a first specific embodiment and **Figure 8**, which shows a second specific embodiment incorporating the first specific embodiment of **Figures 1 to 7**.

20 Apparatus 101 is illustrated in **Figures 1 to 7**. The apparatus 101 is usable as a chopping board. The apparatus 101 may alternatively or additionally be usable in at least one other, different application.

25 As will be described in further detail, apparatus 101 comprises a first board 102 having a first side 103, a second side 301 and a perimeter 104, and a second board 105 also having a first side 106, a second side 501 and a perimeter 107.

The apparatus may comprise one or more further boards, as will be described further below.

30 The first side 103 of the first board 102 comprises a substantially planar surface, as can be seen in particular in **Figure 1**.

The first side 106 of the second board 105 comprises a substantially planar surface and a recessed region 201, as can be seen in particular in **Figure 2**.

5 The recessed region 201 of the first side 106 of the second board 105 is arranged to receive the first board 102.

The apparatus 101 is shown in **Figure 1** in a first condition in which the first board 102 is releasably engaged with the second board 105, with the first side 103 of the first board 102 visible.

10

The first board 102 is receivable within the recessed region 201 of the first side 106 of the second board 105 such that the first board 102 is releasably engaged with the second board 105 and the substantially planar surface of the first side 103 of the first board 102 and the substantially planar surface of the first side 106 of the second board 15 105 together form a substantially continuous, substantially planar board face 108.

Foodstuffs or other items may be prepared, chopped, sliced or cut on the substantially continuous, substantially planar combination board face 108 provided when the first board 102 is received within the recessed region 201 of the first side 106 of the 20 second board 105.

Thus, the first and second boards 102, 105 when engaged are usable as a chopping board. In other words, the first and second boards 102, 105 together form a single unit.

25

The releasable engagement between the first board 102 and the second board 105 may be provided by any suitable arrangement or combination of different arrangements.

In an embodiment, the releasable engagement is provided by a mechanical arrangement 30 in which a part of the first board 102 is located under a part of the second board 105.

In the present embodiment, the first board 102 is releasably engaged with the second board 105 by a snap fit. To achieve the snap fit engagement, the recessed region 201 of the first side 106 of the second board 105 has a boundary wall 202 that is provided with a lip 203, under which the perimeter 104 of the first board 102 can be pushed.

5 This arrangement can provide a user with both tactile and audible feedback as the first board 102 'clicks' or 'snaps' into engagement with the second board 105.

In an alternative embodiment, the first board 102 is releasably engaged with the second board 105 by a friction fit.

10 According to this illustrated embodiment, the first board 102 is receivable within the recessed region 201 of the first side 106 of the second board 105 such that the entire perimeter 104 of the second board 105 is surrounded by the substantially planar surface 106 of the first side 106 of the second board 105. In other words, the non-

15 recessed portion of the first side 106 of the second board 105 completely surrounds the first board 102.

The apparatus 101 is shown in **Figure 2** in a second condition in which the first board 102 is separated from the second board 105, with the first side 103 of the first board 102 and the first side 106 of the second board 105 visible. The first and second boards 102, 105 are individually usable as chopping boards when separated. In other words, the first and second boards 102, 105 when separated form single units.

As shown, the first side 103 of the first board 102 provides a board face. The recess 201 of the first side 106 of the second board 105 also provides a board face, with the boundary wall 202 available to retain liquid, for example juices, or solids, for example offcuts, within the recess 201. Thus the recessed region 201 of the second board 105 advantageously serves to receive the first board 102, so that a combined board face is presented when the first board 102 is engaged with the second board 105, and to provide a walled region for containing liquid or solid matter when the first board 102 is separated from the second board 105.

25

30

In this illustrated embodiment, the second side 301 of the first board 102 comprises a substantially planar surface, as can be seen in particular in **Figure 3**.

5 According to this illustrated embodiment also, the first board 102 is receivable within the recessed region 201 of the first side 106 of the second board 105 such that the substantially planar surface of the second side 301 of the first board 102 and the substantially planar surface of the first side 106 of the second board 105 together form a substantially continuous, substantially planar board face 401, as can be seen in **Figure 4**.

10

Thus, in this embodiment, the first board 102 is receivable by the second board 105 with either the first side 103 or the second side 301 of the first board 102 making up part of a substantially continuous, substantially planar combination board face 108, 401.

15 In this illustrated embodiment, the second side 501 of the second board 105 comprises a substantially planar surface, as can be seen in **Figure 5**.

20 Thus, in the illustrated embodiment, both sides 103, 301 of the smaller, first board 102 have substantially planar surfaces and the larger, second board 105 has one side 501 that has a substantially planar surface and one side 106 that has a substantially planar surface with a recessed region 201.

25 The perimeter 104 of the first board 102 defines a shape having an area that is less than the area of the shape defined by the perimeter 107 of the second board 105. Further, the first board 102 has a footprint that fits within the footprint of the second board 105.

30 The perimeter of each board of the apparatus may define any suitable shape, and may define a shape that is the same as or different from a shape defined by the perimeter of another board. The perimeter of a board may define a regular shape or an irregular shape. The perimeter of a board may, for example, define: a circular shape, a triangular shape, a rectangular shape (which includes a square shape (a square being a

special case of a rectangle)), another quadrilateral shape, a pentagonal shape, a hexagonal shape, a heptagonal shape, an octagonal shape.

5 The first board may be received by the second board in any suitable relative arrangement. The first board may be received by the second board in only one relative orientation or in each of a plurality of relative orientations.

10 The first board may be received by the second board in a relative arrangement in which the first and second boards are concentric or otherwise share a common centre point.

In this illustrated embodiment, the perimeter 104 of the first board 102 defines a rectangular shape. In this illustrated embodiment, the perimeter 107 of the second board 105 also defines a rectangular shape.

15 In the shown example, and as can be seen in **Figures 1 and 4**, the recessed region 201 is arranged such that when the first board 102 is received within the second board 105, the shape defined by the perimeter 104 of the first board 102 shares a common centre point 109 with the shape defined by the perimeter 107 of the second board 105, but the shape defined by the perimeter 104 of the first board 102 is rotationally offset relative to the shape defined by the perimeter 107 of the second board 105. In other words, in this specific example, the edges of the rectangular shape of the first board 102 are not parallel to the edges of the rectangular shape of the second board 105.

25 Each board of the apparatus may comprise or define a handle for facilitating handling and/or storage thereof. Each board may comprise or define a handle that is the same as or different from the handle comprised or defined by another board of the apparatus.

30 In the illustrated embodiment, the first board 102 defines a handle aperture 110 therethrough, and the second board 105 defines a handle aperture 111 therethrough.

According to the present embodiment, the handle aperture 111 of the second board 105 is unobstructed when the first board 102 is engaged therewith. The handle aperture 111 of the second board 105 may, for example, be used to suspend the engaged first and second boards 102, 105 from a hook (not shown).

It is to be appreciated that a handle aperture of a board of the apparatus described herein may be any suitable size and shape and may be located at any suitable position. Further, a board of the apparatus described herein may comprise more than one handle.

Each board of the apparatus may comprise any suitable material or combination of materials. Each board of the apparatus may comprise a material or combination of materials that is the same as or different from the material or combination of materials comprised by another board of the apparatus. The material or combination of materials may have any suitable properties, for example, relating to weight, hardness, pliability, toughness, roughness, water resistance, heat resistance, stain resistance.

According to the illustrated embodiment, the first board 102 comprises a plastics material and the second board 105 also comprises a plastics material. The plastics material of one or both of the first and second boards 102, 105 may have antibacterial or antimicrobial activity surfaces.

A feature of the present embodiment is illustrated in **Figures 6 & 7**. The plastics material of at least the second board 105 allows the second board 105 to be flexed slightly from the condition shown in **Figure 6** to the condition shown in **Figure 7**. As shown, when the first board 102 is received within the second board 105, the hands 701, 702 of a user may be placed at opposite ends of a line through the engaged first and second boards 102, 105 and a force applied to the second board 105, acting in the downward and inward directions indicated by arrows 703, 704 respectively, to cause the second board 105 to bend convexly upwards. This action has the effect of moving portions of the second board 105 away from the first board 102 such that at least a

portion of the first board 102 is released from the recessed portion 201 of the first side 106 of the second board 105.

In the specific example illustrated, the first board 102 has a pair of opposed shorter edges 705, 706 and a pair of opposed longer edges 707, 708, and the second board 105 has a pair of opposed shorter edges 709, 710 and a pair of opposed longer edges 711, 712. The first board 102 is received by the second board 105 in an offset relative orientation, with the shorter edges 705, 706 of the first board 102 being more generally aligned with the shorter edges 709, 710 of the second board 105 than the longer edges 711, 712 of the second board 105. The hands 701, 702 of a user are shown placed around the shorter edges 709, 710 of the second board 105 and causing the second board 105 to bend so that the shorter edges 705, 706 of the first board 102 are disengaged from the boundary wall 202 of the recessed region 201 of the second board 105. As shown, a curvature is created in the second board 105 that has an apex located substantially centrally along the longer edges 711, 712 thereof. As this curvature in the second board 105 is created, a force arises between the first board 102 and the second board 105 that causes the first board 102 to start to become free from the second board 105. The two boards 102, 105 are thus easily separated by a simple bending action.

20

It is to be appreciated that each board and each side of each board of the apparatus described herein may have any desired aesthetic appearance.

In the present embodiment, the first side 103 of the first board 102 has a first aesthetic appearance and the first side 106 of the second board 105 has a second aesthetic appearance that is different from the first aesthetic appearance. In a specific example, the first board 102 and the second board 105 are different colours.

The apparatus of the present invention allows many different variations of colour, material, texture and finish to be formulated.

30

As indicated previously, the apparatus may comprise more than two boards.

Apparatus 801 is shown in **Figure 8**. The apparatus 801 comprises the first board 102 and the second board 105 of the apparatus 101 of **Figures 1 to 7** and further comprises a third board 802 having a first side 803, a second side 804 and a perimeter 805.

The third board 802 is similar to the second board 105 in that the first side 803 of the third board 802 comprises a substantially planar surface and a recessed region (not visible) that is recessed from the substantially planar surface.

The second board 105 is receivable within the recessed region of the first side 803 of the third board 802 such that when the first board 102 is received within the recessed region of the first side 106 of the second board 105 and the second board 105 is received within the recessed region of the first side 803 of the third board 802, the substantially planar surface of the first side 103 of the first board 102, the substantially planar surface of the first side 106 of the second board 105 and the substantially planar surface of the first side 803 of the third board 802 together form a substantially continuous, substantially planar combined board face 806.

Thus, the engaged first and second boards 102, 105 received by the third board 802 are usable as a chopping board. In other words, the first, second and third boards 102, 105, 802 together form a single unit.

However, the third board 802 is individually usable as a chopping board when separated from the first and second boards 102, 105. In addition, the combination of the second board 105 received by the third board 802 is also useable as a chopping board. As previously mentioned, the first and second boards 102, 105 are individually usable as chopping boards when separated.

Thus, with two boards, there are three (3) unit options: each board individually (2) and the two boards together (1). With three boards, there are six (6) unit options, each board individually (3), two boards together (2) and all boards together (1). Increasing

the number of boards increases the number of unit options. In addition, different size, colour and texture surfaces can be provided.

5 In an embodiment, the second board 105 is releasably engageable with the within the recessed region of the first side 803 of the third board 802. The releasable engagement may between the second board 105 and the third board 802 may be provided by any suitable arrangement or combination of different arrangement, which may the same as or different from the arrangement providing the releasable engagement between the first board 102 and the second board 105.

10

According to the present embodiment, the third board 802 comprises wood. In an alternative embodiment, the third board comprises a plastics material.

15 It is to be appreciated that the number of boards that can be nested to provide combined board faces as described herein can be varied between applications. It is also possible for a retail product to be provided that comprises one or more boards that are usable with one or more other boards of another retail product. For example, with reference to **Figures 1 to 8**, is possible for a first retail product to comprise the first and second boards 102, 105 of the apparatus 101 of **Figures 1 to 6** and for a second retail product to comprise the third board 802 of the apparatus 801 of **Figure 8**. This allows a consumer, for example, to make an initial purchase of the apparatus 101 of **Figures 1 to 7** and then a subsequent purchase of third board 802 to arrive at the apparatus 801 of **Figure 8**.

25 **Alternative embodiments are envisaged.**

In an example embodiment, one side of a board defines more than one recessed region, with each recessed region arranged to receive a board. For example, a first recessed region may be arranged to receive one of second and third boards and a second recessed region may be arranged to receive the other of the second and third boards. Alternatively, both the first and second recessed regions may receive either of the second and third boards.

In another example embodiment, each side of a board defines at least one recessed region, with each recessed region arranged to receive a board. For example, a first recessed region on one side may be arranged to receive one of second and third boards and a second recessed region on the other side may be arranged to receive the other of the second and third boards. Alternatively, both the first and second recessed regions may receive either of the second and third boards.

In a further example embodiment, a first board defines a recessed region in which both a second board and a third board can be received at the same time.

In another example embodiment, one side of a first board defines a recessed region, one side of a second board defines a recessed region arranged to receive the first board and the recessed region of the first board is arranged to receive a third board, and when the third board is received within the recessed region of the first board, the first board is receivable within the second board in an arrangement in which the third board disposed between the first board and the second board.

It is thus to be understood that one set of boards may be combined together in only one arrangement, or in each of a plurality of different arrangements.

It is to be appreciated that a board of apparatus as disclosed herein may have any suitable dimensions, which may vary between applications. In addition, boards of apparatus as disclosed herein may have any suitable relative dimensions, which may vary between applications. A board or boards of apparatus as disclosed herein may be manufactured using any suitable method, process or technique or any suitable combination of methods, processes or techniques.

The present invention, from one perspective, provides boards that individually present a board face and that can be arranged to provide a combined board face. As explained above, a board having a smaller board face area can be used in a board combination in which a larger combined board face area is formed. The present invention, from a

different perspective, provides a board comprising a combined board face formed from the individual board faces of component boards.

5 Although illustrative embodiments of the invention have been disclosed in detail herein, with reference to the accompanying drawings, it is to be understood that the invention is not limited to the precise embodiments shown and that various changes and modifications can be effected therein by one skilled in the art without departing from the scope of the invention as defined by the appended claims.

10

Claims

1. Apparatus for use as a chopping board, comprising:
a first board having a first side, a second side and a perimeter, and
5 a second board having a first side, a second side and a perimeter;
a first side of the first board comprises a substantially planar surface,
a first side of the second board comprises a substantially planar surface and a
recessed region that is recessed from the substantially planar surface, and
the first board is receivable within the recessed region of the first side of the
10 second board such that:
the first board is releasably engaged with the second board, and
the substantially planar surface of the first side of the first board and the
substantially planar surface of the first side of the second board together form a
substantially continuous, substantially planar board face.
15
2. Apparatus as claimed in claim 1, wherein the first board is releasably
engaged with the second board by one of: a friction fit, a snap fit.
3. Apparatus as claimed in claim 1 or claim 2, wherein the first board is
20 receivable within the recessed region of the first side of the second board such that
the entire perimeter of the second board is surrounded by the substantially planar
surface of the first side of the second board.
4. Apparatus as claimed in any of claims 1 to 3, wherein the second side of
25 the first board comprises a substantially planar surface.
5. Apparatus as claimed in claim 4, wherein the first board is receivable within
the recessed region of the first side of the second board such that the substantially
planar surface of the first side of the first board and the substantially planar surface of
30 the second side of the second board together form a substantially continuous,
substantially planar board face.

6. Apparatus as claimed in any of claims 1 to 5, wherein the second side of the second board comprises a substantially planar surface.

7. Apparatus as claimed in any of claims 1 to 6, wherein the perimeter of the first board defines a substantially rectangular shape.

8. Apparatus as claimed in any of claims 1 to 7, wherein the perimeter of the second board defines a substantially rectangular shape.

9. Apparatus as claimed in any of claims 1 to 8, wherein the first board defines a handle aperture therethrough for facilitating one or both of: handling, storage.

10. Apparatus as claimed in any of claims 1 to 9, wherein the second board defines an aperture therethrough for facilitating one or both of: handling, storage.

11. Apparatus as claimed in any of claims 1 to 10, wherein the first board comprises a plastics material.

12. Apparatus as claimed in any of claims 1 to 11, wherein the second board comprises a plastics material.

13. Apparatus as claimed in any of claims 1 to 12, further comprising a third board having a first side, a second side and a perimeter,

the first side of the third board comprises a substantially planar surface and a recessed region that is recessed from the substantially planar surface, and

the second board is receivable within the recessed region of the first side of the third board such that:

when the first board is received within the recessed region of the first side of the second board and the second board is received within the recessed region of the first side of the third board,

the substantially planar surface of the first side of the first board, the substantially planar surface of the first side of the second board and the substantially planar surface of the first side of the third board together form a substantially continuous, substantially planar board face.

5

14. Apparatus as claimed in claim 13, wherein each of the first board, the second board and the third board comprises a plastics material.

15. Apparatus as claimed in claim 13, wherein each of the first board and the second board comprises a plastics material and the third board comprises wood.

10

16. Apparatus as claimed in any of claims 1 to 15, wherein the first side of the first board has a first aesthetic appearance and the first side of the second board has a second aesthetic appearance that is different from the first aesthetic appearance.

15



Application No: GB1702087.6

Examiner: Miss Cassandra Fraser

Claims searched: 1-16

Date of search: 25 May 2017

Patents Act 1977: Search Report under Section 17

Documents considered to be relevant:

Category	Relevant to claims	Identity of document and passage or figure of particular relevance
X	1-16	US D690565 S (STEWART et al.). See figures.
X	1, 3-16	CN 202636749 U (XU). See EPODOC abstract and figures.
X	1, 3-8, 11-16	US 2015/123331 A1 (DIFANTE et al.). See figures 1-3 and 8 and paragraphs [0006] and [0023]-[0025].
X	1-12	US 2012/0034427 A1 (HSIEH). See figures 1-4B and paragraphs [0020]-[0023] and [0027].
X	1-8, 11, 12	CN 201855182 U (YIJUN). See EPODOC abstract and figures.

Categories:

X	Document indicating lack of novelty or inventive step	A	Document indicating technological background and/or state of the art.
Y	Document indicating lack of inventive step if combined with one or more other documents of same category.	P	Document published on or after the declared priority date but before the filing date of this invention.
&	Member of the same patent family	E	Patent document published on or after, but with priority date earlier than, the filing date of this application.

Field of Search:

Search of GB, EP, WO & US patent documents classified in the following areas of the UKC^X :

--

Worldwide search of patent documents classified in the following areas of the IPC

A47J

The following online and other databases have been used in the preparation of this search report

WPI, EPODOC, Internet

International Classification:

Subclass	Subgroup	Valid From
A47J	0047/00	01/01/2006