



US00D767405S

(12) **United States Design Patent**
Orset

(10) **Patent No.:** **US D767,405 S**

(45) **Date of Patent:** **** Sep. 27, 2016**

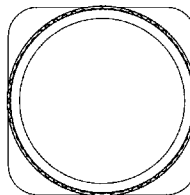
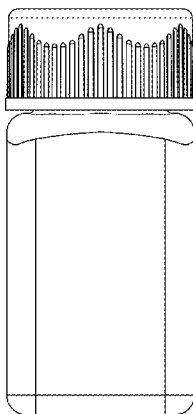
- (54) **BOTTLE WITH CAP**
- (71) Applicant: **CELGENE CORPORATION**,
Summit, NJ (US)
- (72) Inventor: **Frederic Eugene Lucien Orset**,
Habere-Lullin (FR)
- (73) Assignee: **Celgene Corporation**, Summit, NJ
(US)
- (**) Term: **15 Years**
- (21) Appl. No.: **29/540,142**
- (22) Filed: **Sep. 21, 2015**
- (51) **LOC (10) Cl.** **09-01**
- (52) **U.S. Cl.**
USPC **D9/560**; D9/453; D9/574
- (58) **Field of Classification Search**
USPC D9/434-436, 453, 454, 516, 560, 567,
D9/570, 572, 573, 574, 715, 719, 721;
D28/73, 76-77, 91; D3/901
CPC .. A45D 33/006; A45D 33/00; A45D 33/003;
A45D 40/0068; A45D 29/20; B65D 11/16;
B65D 51/245
See application file for complete search history.

D282,910 S	3/1986	Biesecker	
D311,681 S	10/1990	Aggarwal	
D315,507 S *	3/1991	Ochs	D9/453
D320,155 S *	9/1991	Plochman, III	D9/520
5,197,602 A	3/1993	Biesecker et al.	
5,315,811 A	5/1994	Biesecker et al.	
5,318,183 A	6/1994	Cohen et al.	
D349,858 S	8/1994	Lonczak et al.	
D359,907 S	7/1995	Hirsch	
D359,909 S	7/1995	Hirsch	
D359,910 S	7/1995	Hirsch	
D368,658 S	4/1996	Hirsch	
5,544,768 A	8/1996	Gargione	
5,626,262 A	5/1997	Fitten et al.	
D382,488 S	8/1997	Ja	
5,655,687 A	8/1997	Fitten et al.	
D392,897 S	3/1998	Biesecker et al.	
5,803,287 A	9/1998	Kusz	
D399,756 S	10/1998	Lonczak et al.	
5,950,849 A	9/1999	Ekkert et al.	
6,065,623 A *	5/2000	Hierzer	G09F 19/12 215/230
D428,577 S	7/2000	Shanahan	
D431,193 S	9/2000	Shanahan	
D432,427 S	10/2000	Shanahan	
D436,538 S	1/2001	Lang	
6,243,936 B1	6/2001	Biesecker et al.	
D451,812 S	12/2001	Colonna de Giovellina	
6,394,293 B1 *	5/2002	Hierzer	B65D 51/245 206/459,5
D470,413 S	2/2003	Seidita	
D473,466 S	4/2003	Biesecker	
D481,314 S *	10/2003	Noonan	D9/438
D481,640 S	11/2003	Biesecker	
D494,476 S	8/2004	Cwynar-Laska et al.	
D495,599 S	9/2004	Biesecker	
6,854,613 B2	2/2005	Biesecker et al.	
D503,886 S	4/2005	Biesecker	
D510,523 S	10/2005	Pitman et al.	
D511,457 S	11/2005	Biesecker et al.	
D512,912 S	12/2005	Biesecker et al.	
D513,585 S	1/2006	Biesecker et al.	
D513,587 S	1/2006	Forte	
D518,716 S	4/2006	Mallet	
D519,373 S	4/2006	Pitman et al.	
D523,755 S	6/2006	Considine et al.	
D526,206 S	8/2006	Varlet	
D527,646 S	9/2006	Cornet et al.	
D535,566 S *	1/2007	Lin	D9/453
D537,726 S *	3/2007	Elgebrant	D9/560
D537,727 S	3/2007	Hutton	
D539,662 S	4/2007	Sanchez Lascaux	
D540,688 S *	4/2007	Lascaux	D9/560

(56) **References Cited**

U.S. PATENT DOCUMENTS

D25,355 S	4/1896	Smalley	
D31,179 S	7/1899	Low	
D81,633 S	7/1930	Wagner	
D111,253 S	4/1937	Grasty	
D136,440 S *	10/1943	Tatro	D9/453
D143,657 S	8/1945	Graham	
3,437,194 A	4/1969	Ames et al.	
D214,877 S	8/1969	Biallo et al.	
D259,173 S	5/1981	Lauren	
D267,076 S	11/1982	Hurtig	
D269,067 S	5/1983	Ballereaud	
D270,331 S *	8/1983	Benson	D9/520
D274,220 S	6/1984	Biesecker	
D274,221 S	6/1984	Biesecker	
D280,601 S	9/1985	Biesecker	



D542,655 S *	5/2007	Szczesniak	D9/453
D546,181 S	7/2007	Biesecker et al.	
D548,101 S	8/2007	Elgebrant	
D548,607 S	8/2007	Langbein et al.	
D574,240 S	8/2008	Szczesniak	
D577,292 S	9/2008	Moretti	
D577,599 S	9/2008	Moretti	
D579,784 S	11/2008	Varlet	
D580,773 S	11/2008	Rica	
D581,800 S	12/2008	Rica	
D586,213 S	2/2009	Wells et al.	
D586,659 S	2/2009	Delbon	
D597,840 S	8/2009	Biesecker et al.	
D601,431 S	10/2009	Serrano Diaz	
D602,785 S	10/2009	Rothberg et al.	
7,607,547 B2	10/2009	Kumata et al.	
D603,265 S	11/2009	Biesecker	
D603,716 S	11/2009	Rica	
D603,717 S	11/2009	Rica	
D604,174 S	11/2009	Rica	
D606,864 S	12/2009	Robinson	
D611,344 S	3/2010	Longacre	
D611,346 S	3/2010	Camomile	
D613,162 S *	4/2010	Druitt	D9/453
D613,177 S	4/2010	Lee	
D618,099 S	6/2010	Biesecker et al.	
D619,473 S	7/2010	Biesecker et al.	
D622,591 S	8/2010	Biesecker et al.	
D622,601 S	8/2010	Potts	
D623,518 S	9/2010	Camomile	
7,802,690 B2	9/2010	Lohrman et al.	
D627,656 S	11/2010	Wendt	
D630,518 S	1/2011	Biesecker et al.	
D632,958 S *	2/2011	Fuchs	D9/453
D635,031 S	3/2011	Themann	
D643,295 S	8/2011	Sadler et al.	
D655,612 S	3/2012	Oge-Nichols	
D657,673 S	4/2012	Biesecker	
D657,674 S	4/2012	Biesecker	
8,177,059 B2	5/2012	Gudmundsson	
D663,202 S	7/2012	Biesecker et al.	
8,231,020 B2	7/2012	Taber et al.	
D666,495 S	9/2012	Biesecker et al.	
D674,697 S	1/2013	Biesecker et al.	
D675,101 S *	1/2013	Wilson	D9/559
D681,465 S *	5/2013	Cox	D9/441
D681,466 S	5/2013	Cox et al.	
D691,046 S	10/2013	Krause	
D691,054 S *	10/2013	Olsson	D9/435
D691,473 S	10/2013	Smith et al.	
D691,484 S	10/2013	Fitzgerald	
D693,694 S	11/2013	Makhsudova	
D694,120 S	11/2013	Baussan	
8,590,719 B2	11/2013	Sprishen et al.	
D696,958 S	1/2014	Rex	
D698,257 S	1/2014	Gonzalez Rodriguez	
8,672,158 B2	3/2014	Taber et al.	
8,695,821 B2	4/2014	Bashyam	
D717,661 S *	11/2014	McIntire	D9/560
D734,159 S *	7/2015	Brisson	D9/542
D736,635 S *	8/2015	Sadler	D9/522
D750,314 S *	2/2016	Hobson	D26/118
2003/0136753 A1	7/2003	Biesecker et al.	
2004/0222181 A1	11/2004	Biesecker et al.	
2005/0109782 A1	5/2005	Biesecker et al.	
2005/0194343 A1	9/2005	Sprishen	
2007/0045320 A1	3/2007	Biesecker et al.	
2008/0197101 A1	8/2008	Rapoport	
2008/0308518 A1	12/2008	Sprishen	
2008/0314900 A1	12/2008	Biesecker et al.	
2009/0212003 A1	8/2009	Gudmundsson	
2009/0266736 A1	10/2009	Sprishen et al.	
2011/0017741 A1	1/2011	Sprishen	
2011/0094990 A1	4/2011	Sprishen et al.	
2012/0325768 A1	12/2012	Biesecker et al.	
2013/0341329 A1 *	12/2013	Adler	G09F 3/0289 220/288

FOREIGN PATENT DOCUMENTS

FR	090080	7/2009
SE	82661	2/2014
WO	DM/071617	12/2008

OTHER PUBLICATIONS

U.S. Appl. No. 29/540,135, filed Sep. 21, 2015, Orset.
 U.S. Appl. No. 29/502,015, filed Sep. 10, 2014, Orset.
 U.S. Appl. No. 29/502,019, filed Sep. 10, 2014, Orset.

* cited by examiner

Primary Examiner — Ian Simmons
Assistant Examiner — Keith Frank
 (74) *Attorney, Agent, or Firm* — Jones Day

(57) **CLAIM**

The ornamental design for a bottle with cap, as shown and described.

DESCRIPTION

FIG. 1 is an exploded perspective top and first side and second side view of a bottle with cap showing my new design;
 FIG. 2 is a perspective top and first side and second side view thereof;
 FIG. 3 is a perspective bottom and first side and second side view thereof;
 FIG. 4 is a first side elevational view thereof;
 FIG. 5 is a second side elevational view thereof;
 FIG. 6 is a third side elevational view thereof;
 FIG. 7 is a fourth side elevational view thereof;
 FIG. 8 is a top plan view thereof;
 FIG. 9 is a bottom plan view thereof;
 FIG. 10 is an exploded perspective top and first side and second side view of a second embodiment of a bottle with cap showing my new design;
 FIG. 11 is a perspective top and first side and second side view thereof;
 FIG. 12 is a perspective bottom and first side and second side view thereof;
 FIG. 13 is a first side elevational view thereof;
 FIG. 14 is a second side elevational view thereof;
 FIG. 15 is a third side elevational view thereof;
 FIG. 16 is a fourth side elevational view thereof;
 FIG. 17 is a bottom plan view thereof;
 FIG. 18 is a top plan view thereof;
 FIG. 19 is an exploded perspective top and first side and second side view of a third embodiment of a bottle with cap showing my new design;
 FIG. 20 is a perspective top and first side and second side view thereof;
 FIG. 21 is a perspective bottom and first side and second side view thereof;
 FIG. 22 is a first side elevational view thereof;
 FIG. 23 is a second side elevational view thereof;
 FIG. 24 is a third side elevational view thereof;
 FIG. 25 is a fourth side elevational view thereof;
 FIG. 26 is a top plan view thereof;
 FIG. 27 is a bottom plan view thereof;
 FIG. 28 is an exploded perspective top and first side and second side view of a fourth embodiment of a bottle with cap showing my new design;

FIG. 29 is a perspective top and first side and second side view thereof;

FIG. 30 is a perspective bottom and first side and second side view thereof;

FIG. 31 is a first side elevational view thereof;

FIG. 32 is a second side elevational view thereof;

FIG. 33 is a third side elevational view thereof;

FIG. 34 is a fourth side elevational view thereof;

FIG. 35 is a top plan view thereof;

FIG. 36 is a bottom plan view thereof;

FIG. 37 is an exploded perspective top and first side and second side view of a fifth embodiment of a bottle with cap showing my new design;

FIG. 38 is a perspective top and first side and second side view thereof;

FIG. 39 is a perspective bottom and first side and second side view thereof;

FIG. 40 is a first side elevational view thereof;

FIG. 41 is a second side elevational view thereof;

FIG. 42 is a third side elevational view thereof;

FIG. 43 is a fourth side elevational view thereof;

FIG. 44 is a top plan view thereof;

FIG. 45 is a bottom plan view thereof;

FIG. 46 is an exploded perspective top and first side and second side view of a sixth embodiment of a bottle with cap showing my new design;

FIG. 47 is a perspective top and first side and second side view thereof;

FIG. 48 is a perspective bottom and first side and second side view thereof;

FIG. 49 is a first side elevational view thereof;

FIG. 50 is a second side elevational view thereof;

FIG. 51 is a third side elevational view thereof;

FIG. 52 is a fourth side elevational view thereof;

FIG. 53 is a top plan view thereof; and,

FIG. 54 is a bottom plan view thereof.

1 Claim, 24 Drawing Sheets

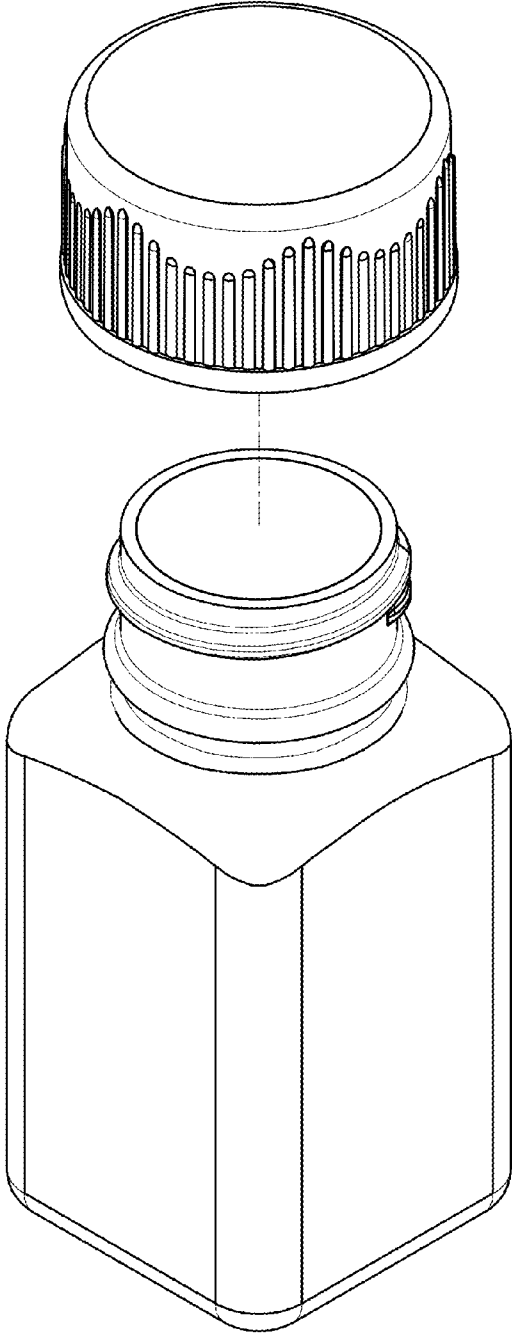


Fig.1

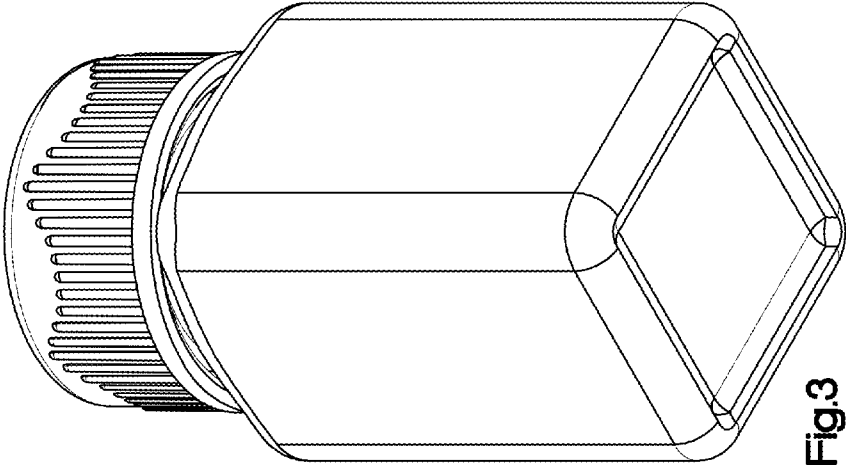


Fig.3

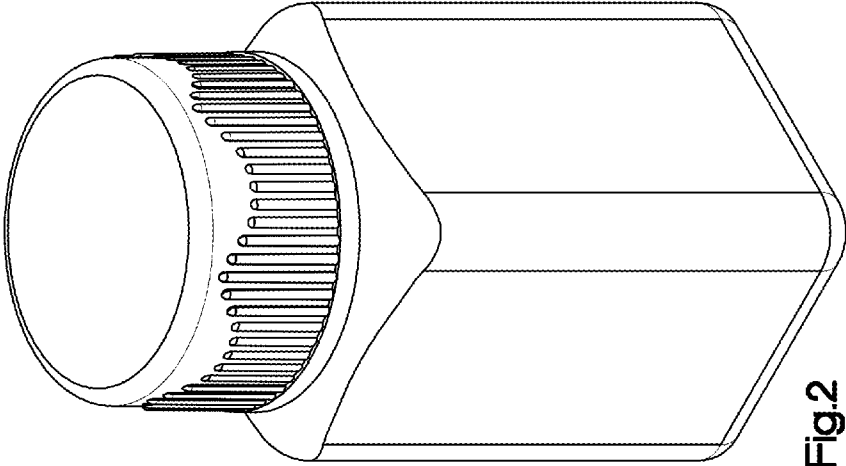


Fig.2

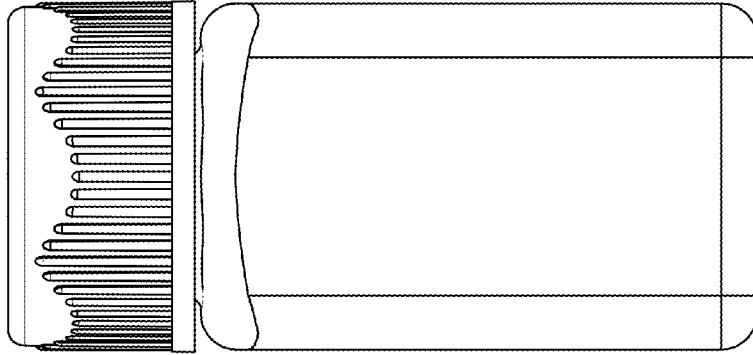


Fig.6

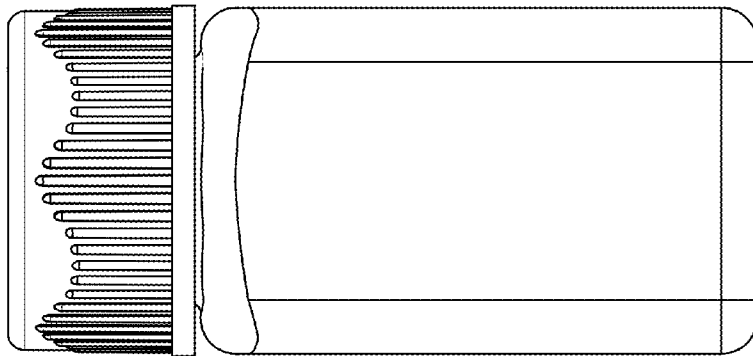


Fig.5

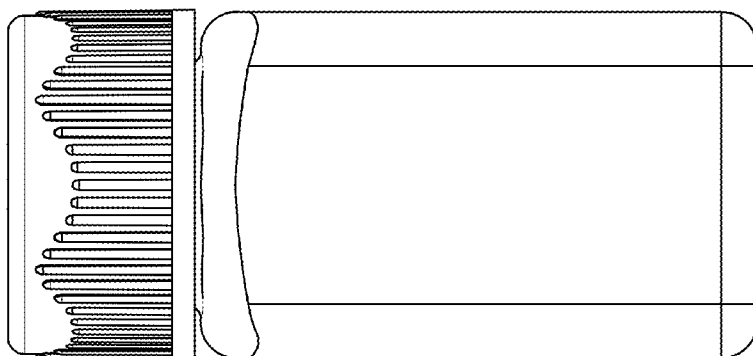


Fig.4

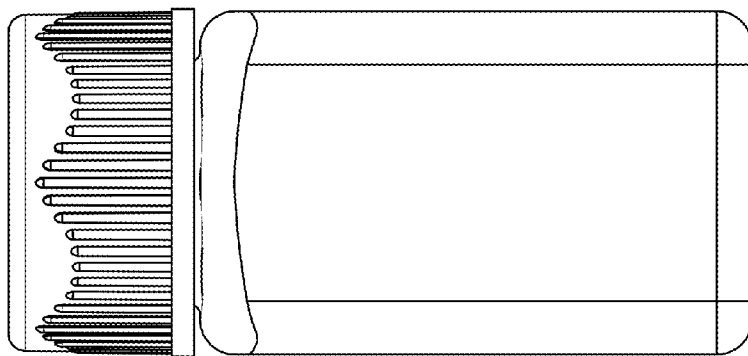


Fig.7

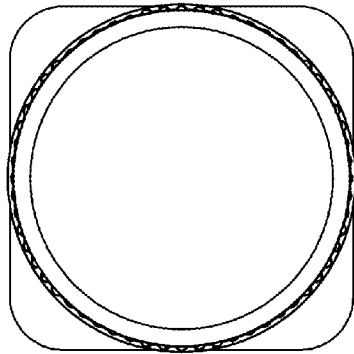


Fig.8

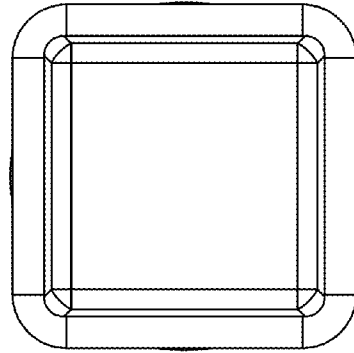


Fig.9

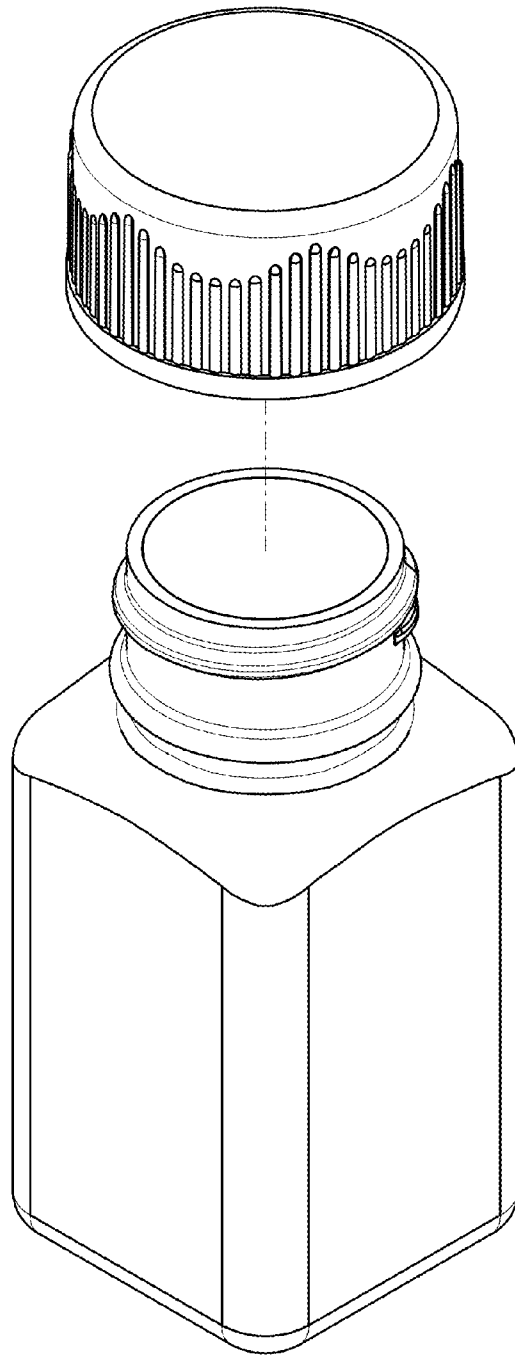


Fig.10

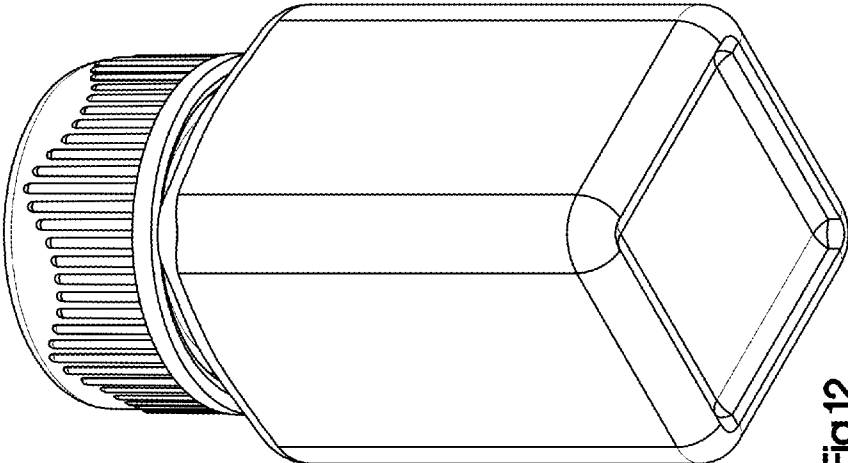


Fig.12

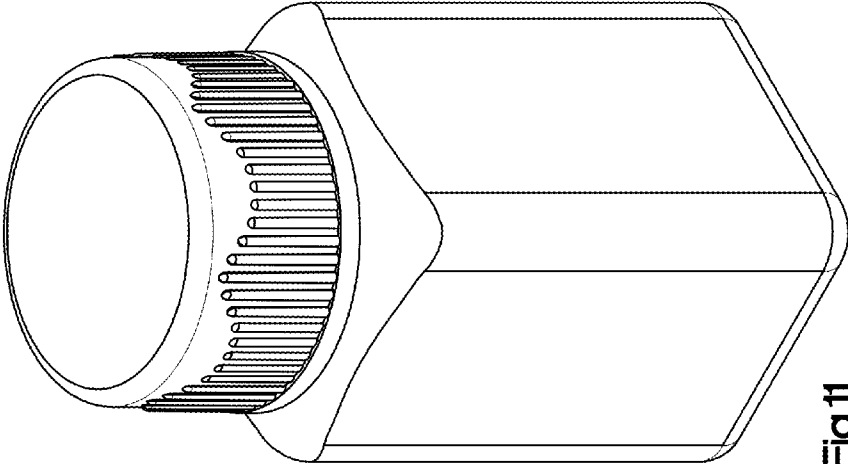


Fig.11

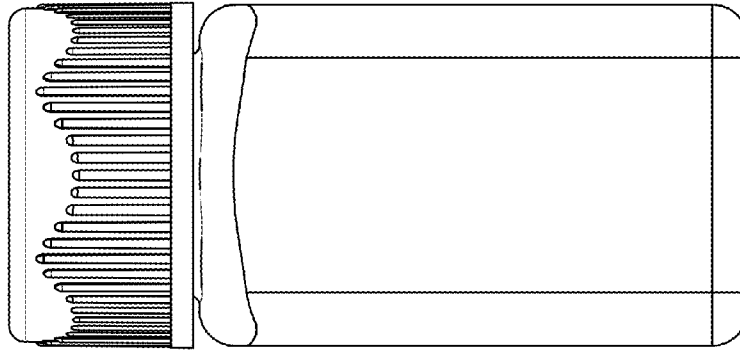


Fig.15

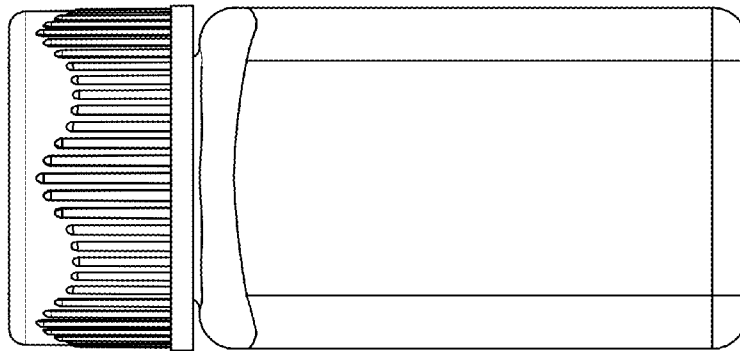


Fig.14

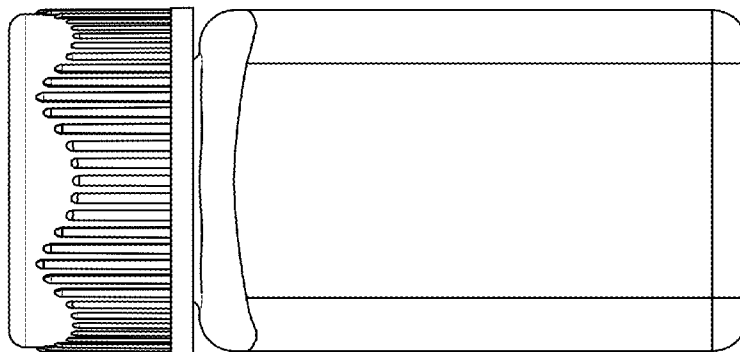


Fig.13

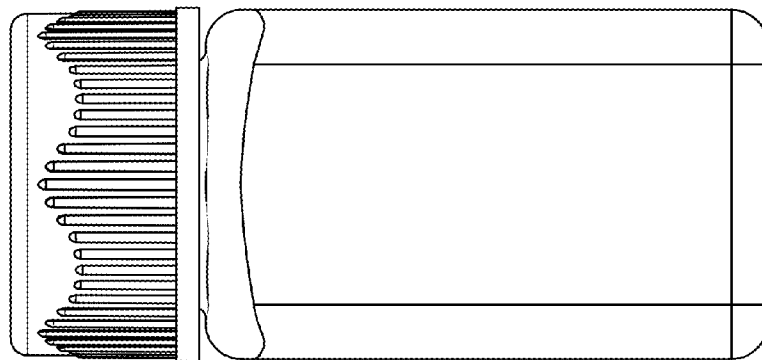


Fig.16

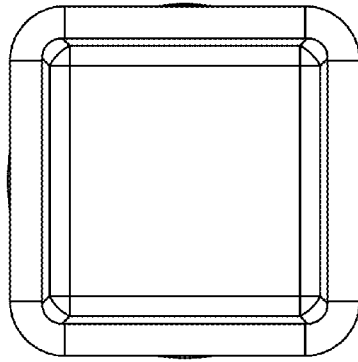


Fig.18

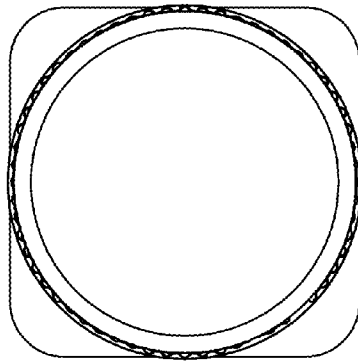


Fig.17

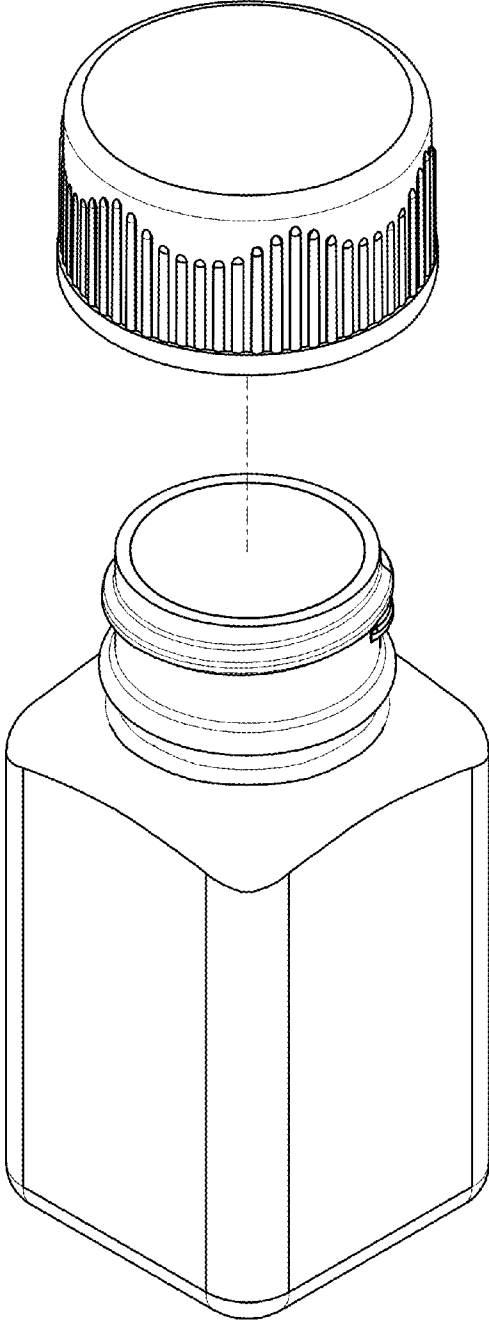


Fig.19

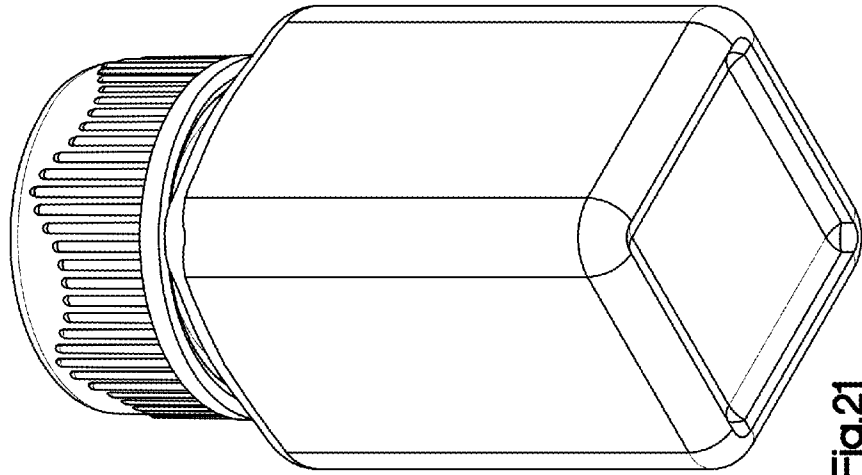


Fig.21

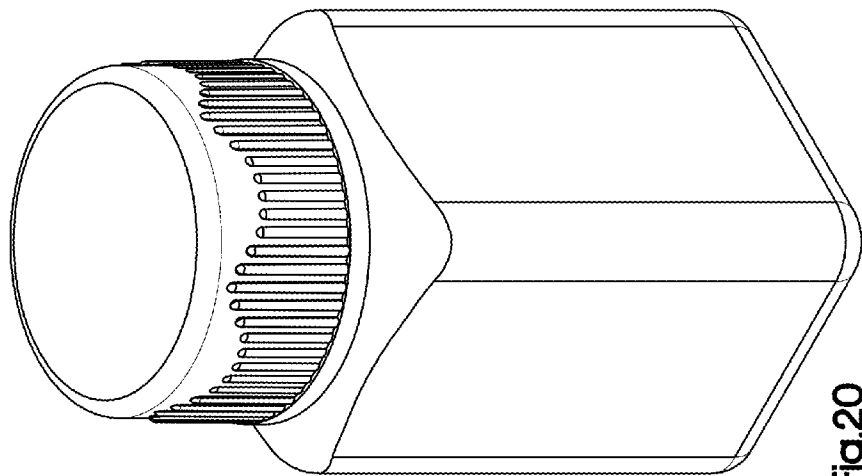


Fig.20

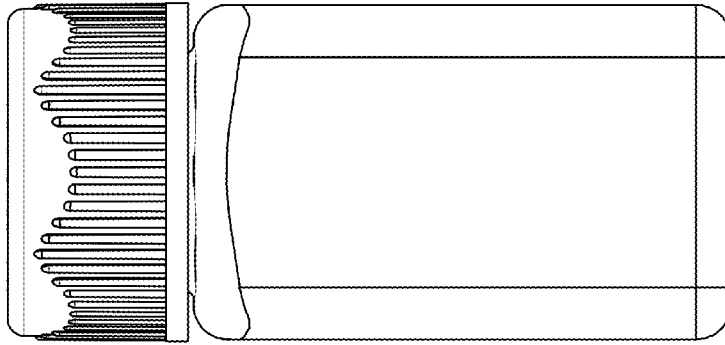


Fig.22

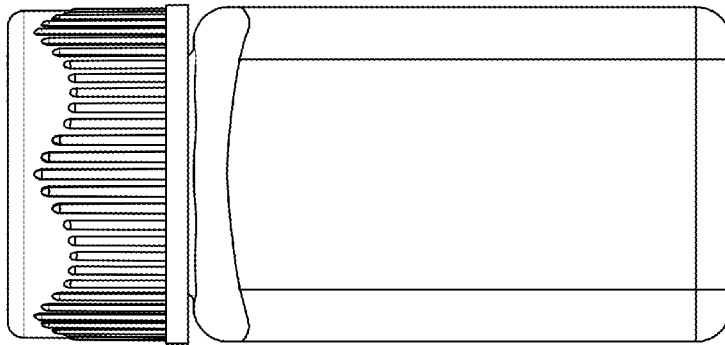


Fig.23

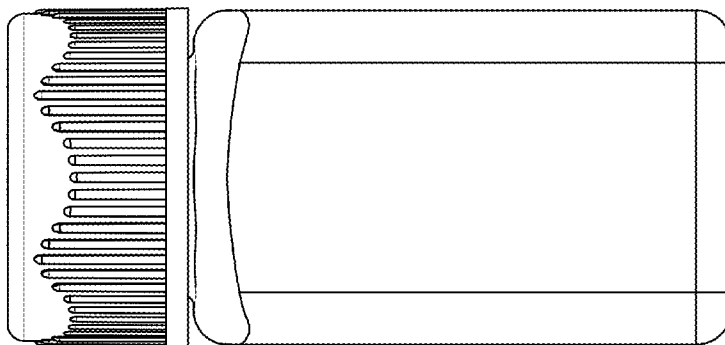


Fig.24

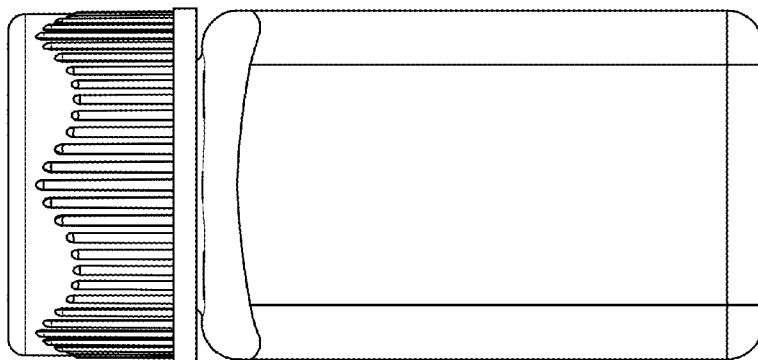


Fig.25

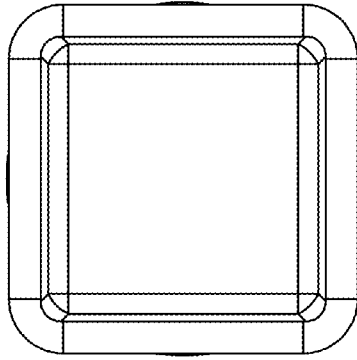


Fig.27

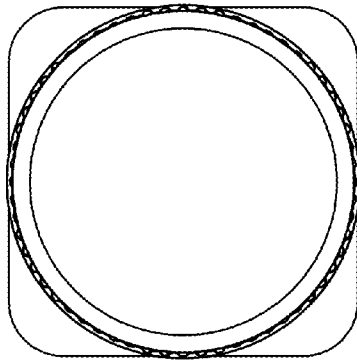


Fig.26

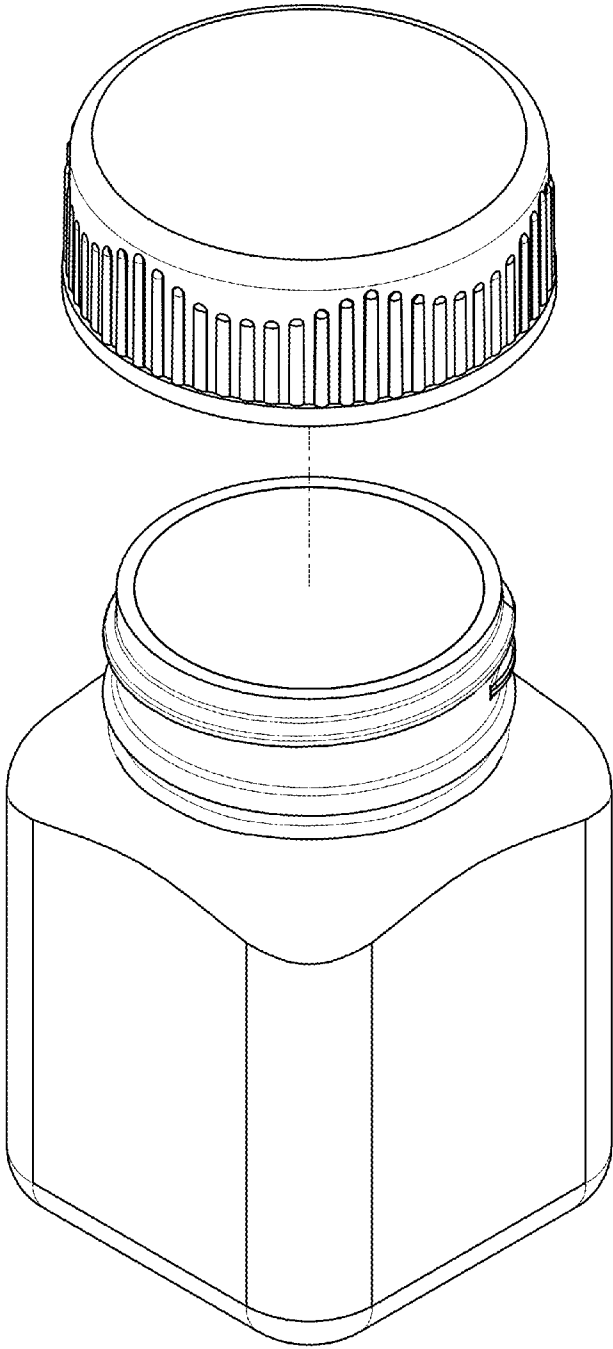


Fig.28

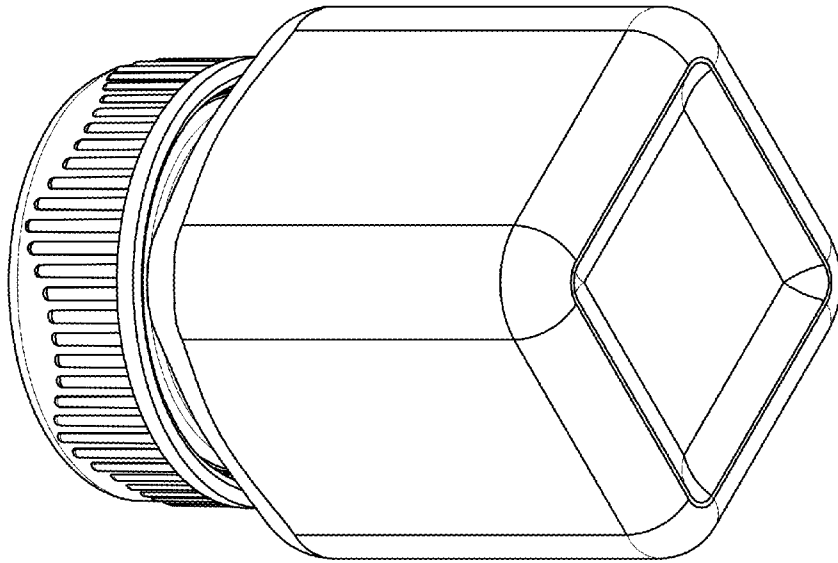


Fig.30

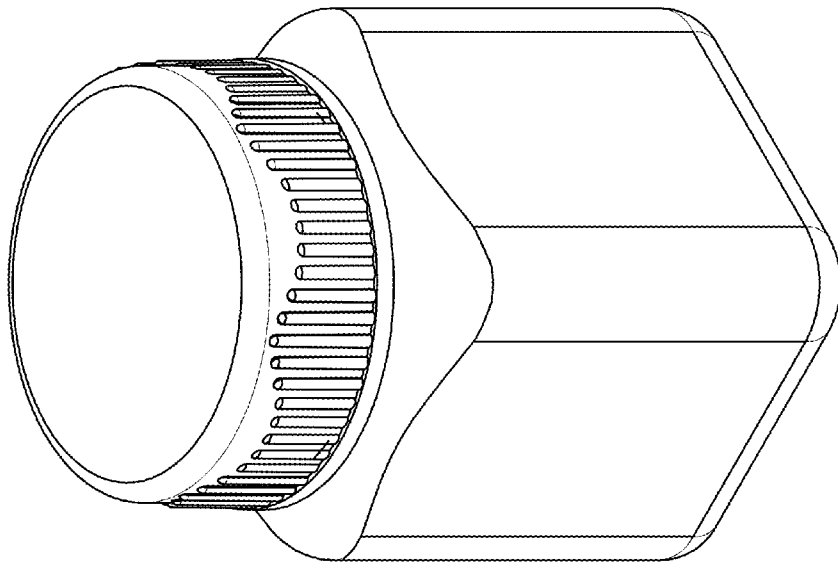


Fig.29

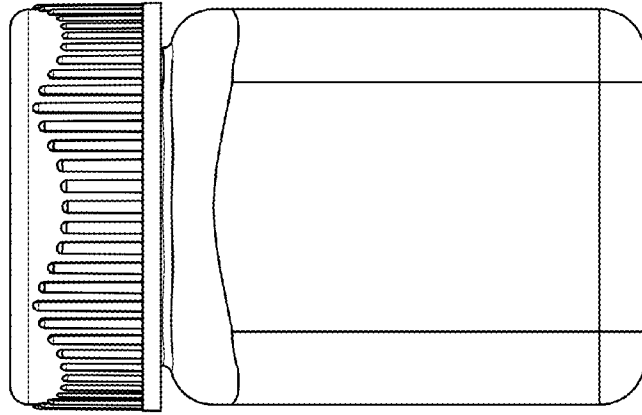


Fig.31

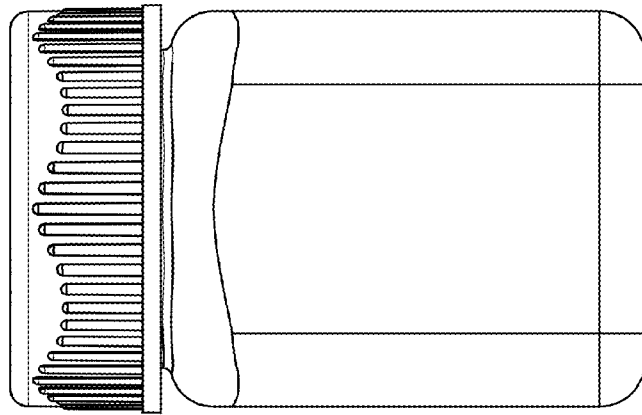


Fig.32

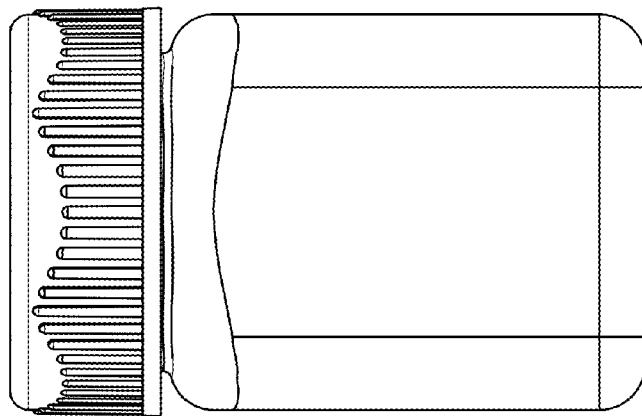


Fig.33

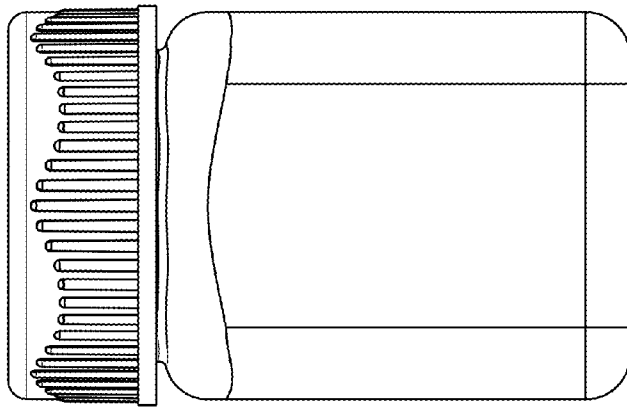


Fig.34

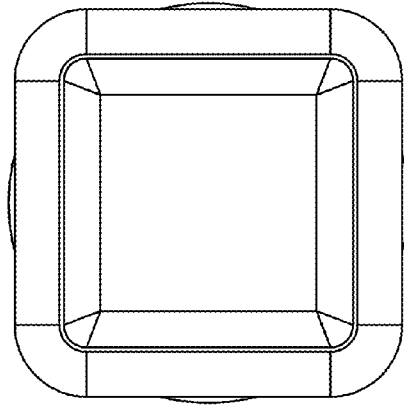


Fig.35

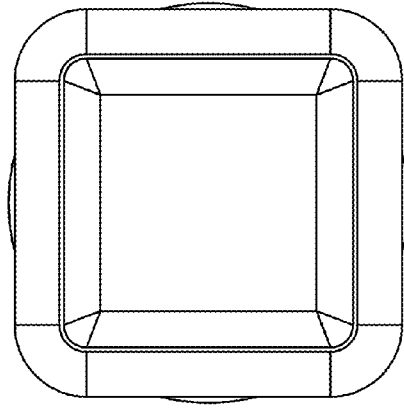


Fig.36

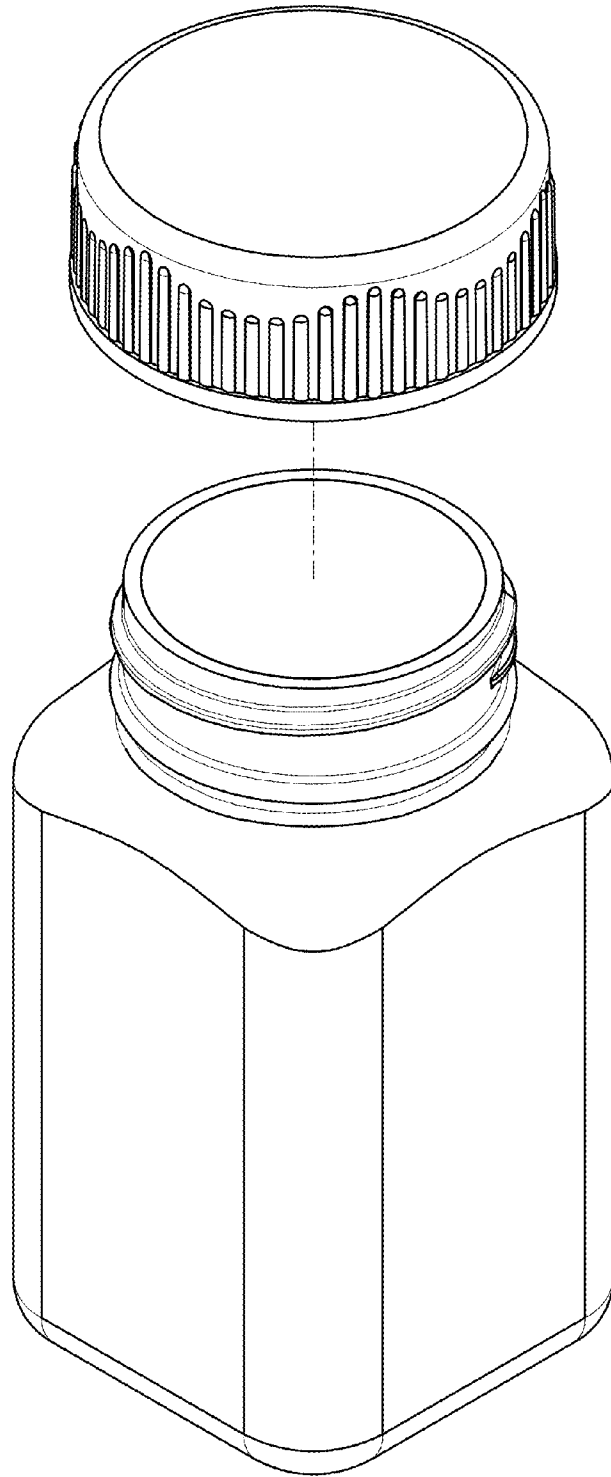


Fig.37

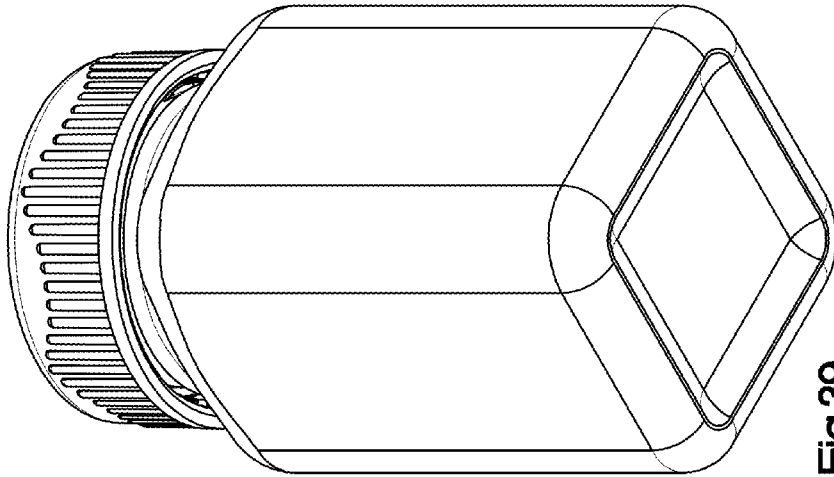


Fig.39

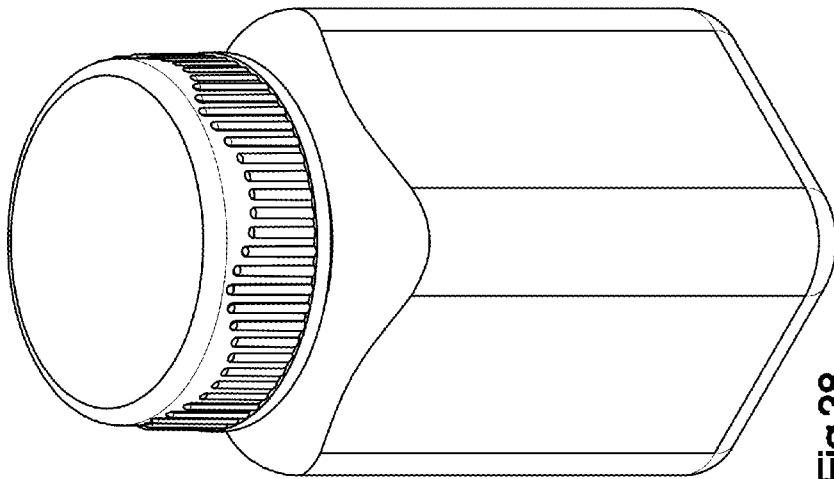


Fig.38

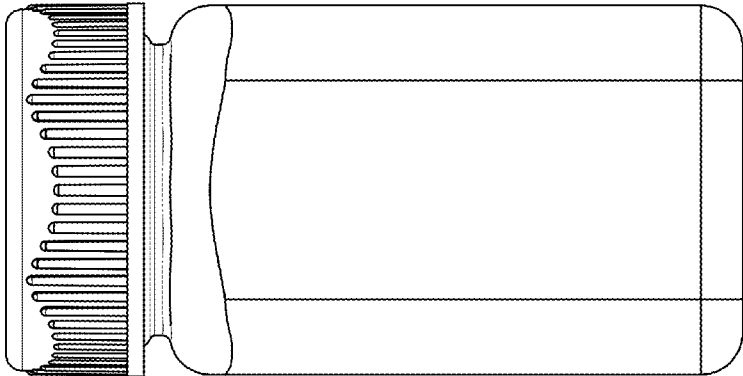


Fig.40

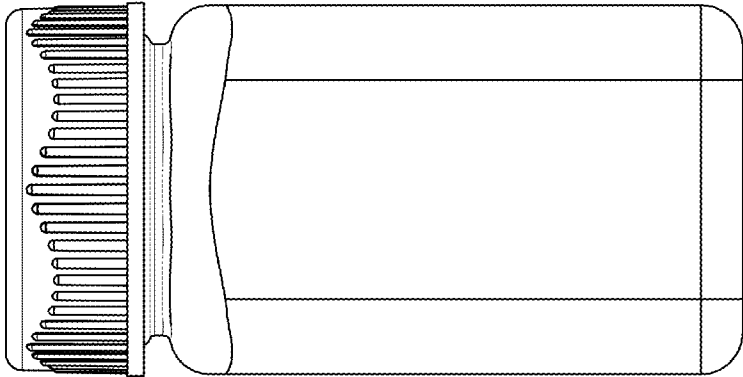


Fig.41

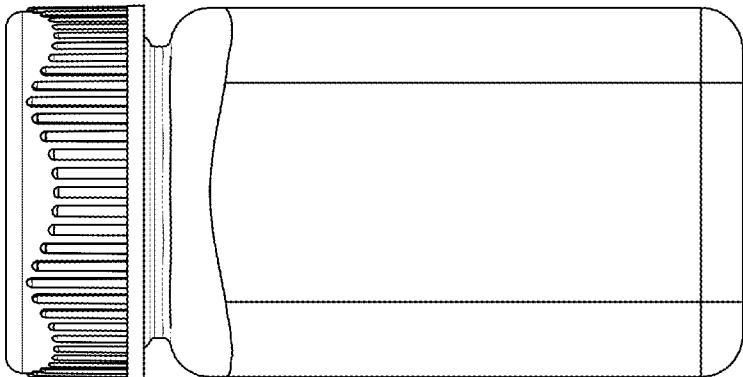


Fig.42

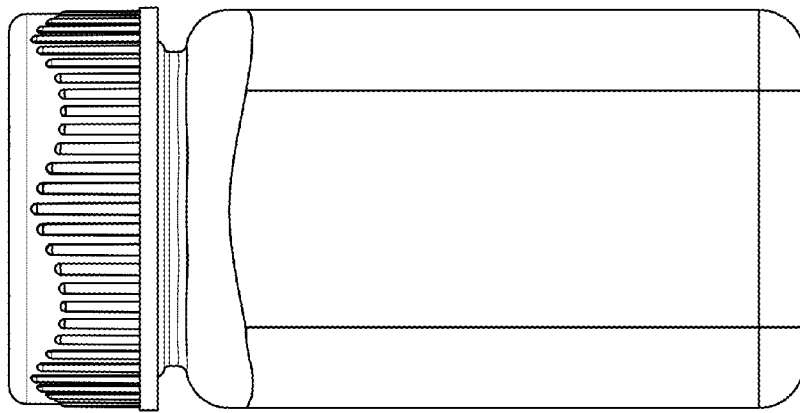


Fig.43

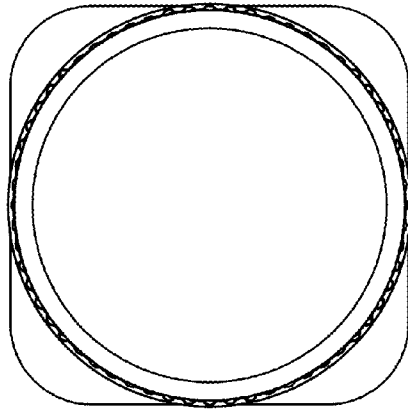


Fig.44

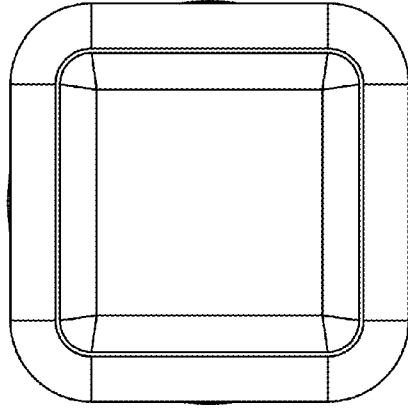


Fig.45

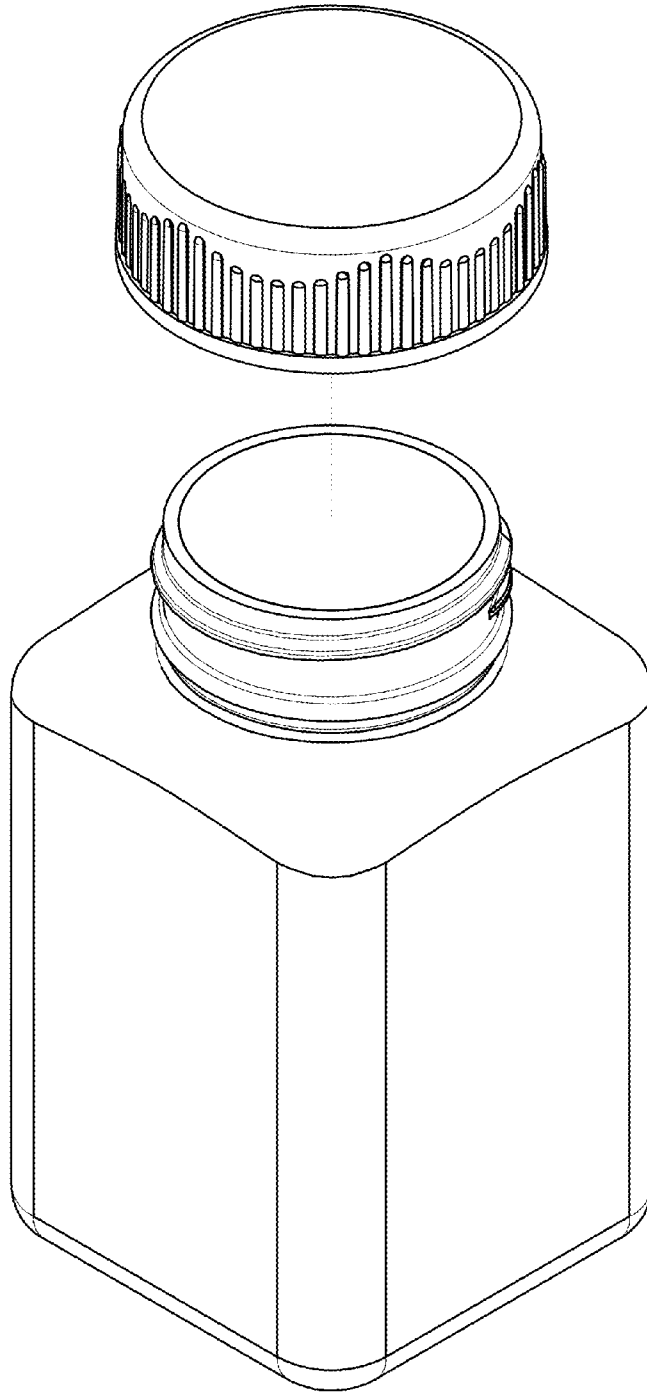


Fig.46

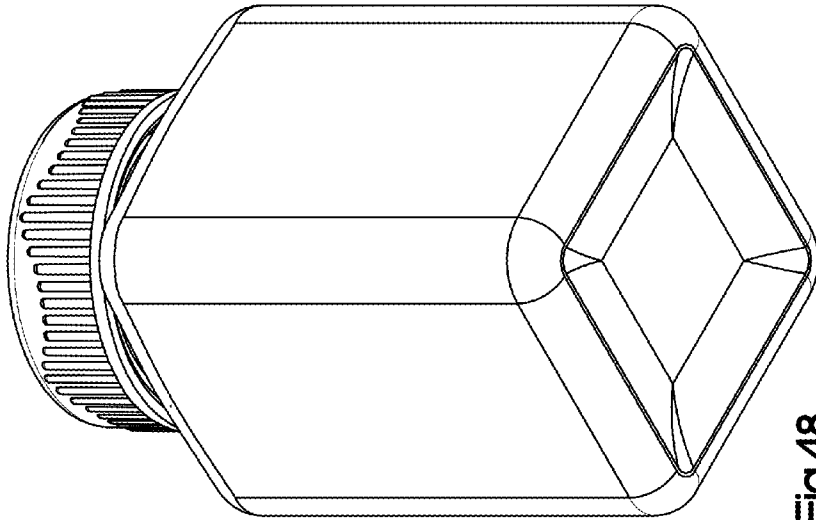


Fig.48

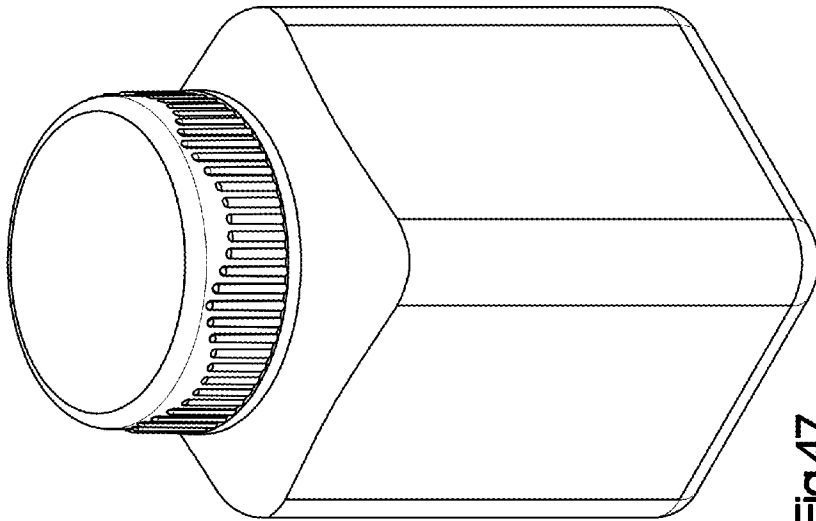


Fig.47

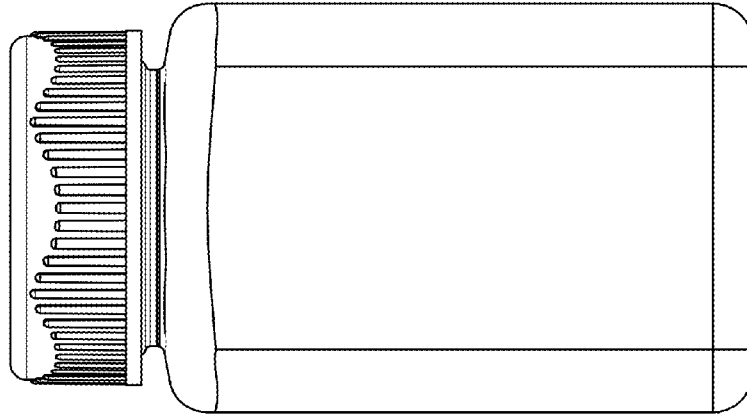


Fig.49

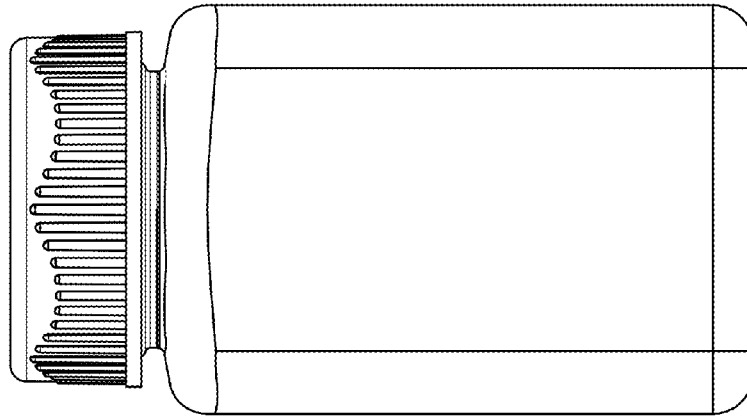


Fig.50

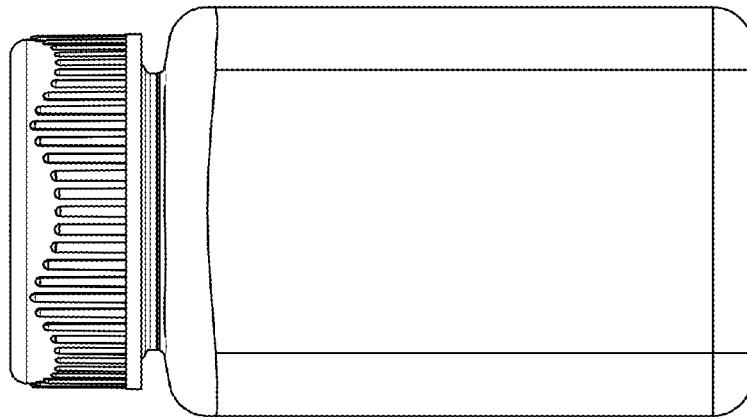


Fig.51

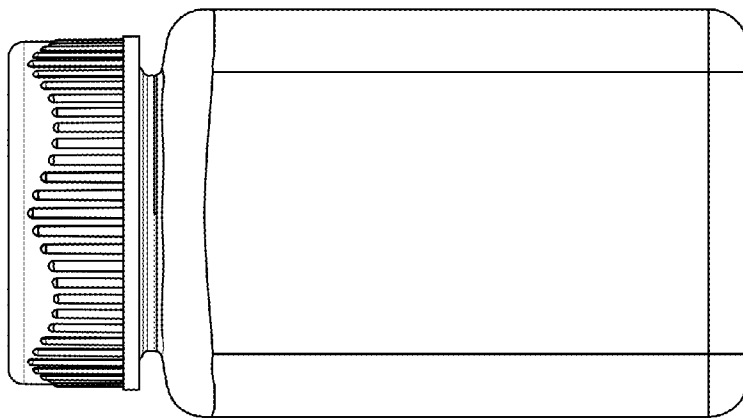


Fig.52

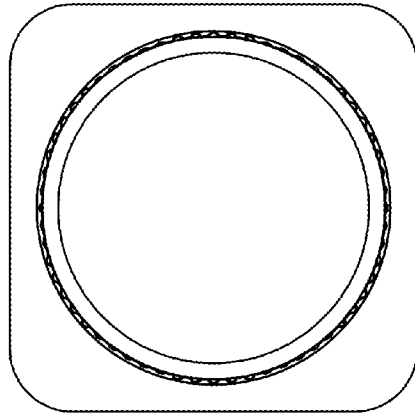


Fig.53

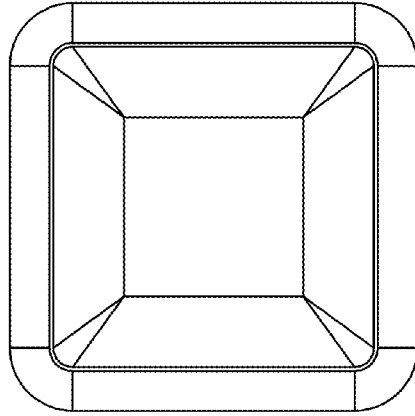


Fig.54