

(19) World Intellectual Property Organization  
International Bureau



(43) International Publication Date  
23 February 2006 (23.02.2006)

PCT

(10) International Publication Number  
**WO 2006/020844 A3**

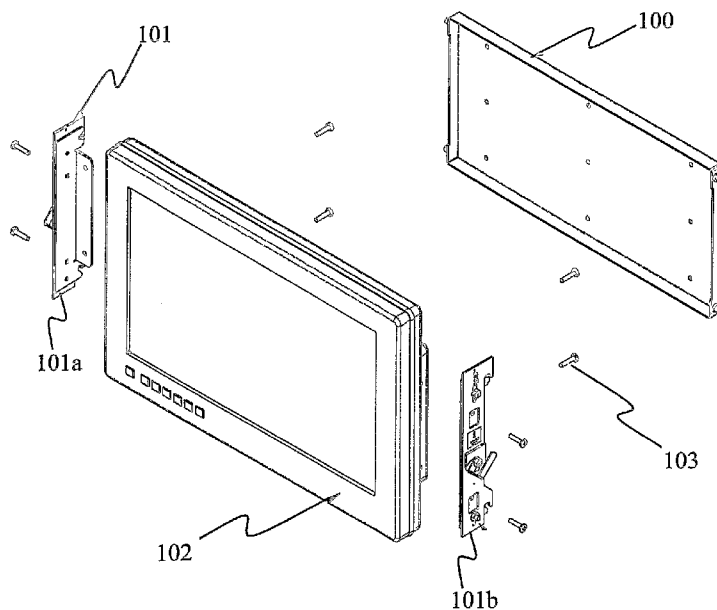
- (51) International Patent Classification:  
G06F 1/16 (2006.01)
- (21) International Application Number:  
PCT/US2005/028702
- (22) International Filing Date: 11 August 2005 (11.08.2005)
- (25) Filing Language: English
- (26) Publication Language: English
- (30) Priority Data:  
10/916,748 12 August 2004 (12.08.2004) US
- (71) Applicant (for all designated States except US): **AUDIOVOX CORPORATION** [US/US]; 150 Marcus Boulevard, Hauppauge, NY 11788 (US).
- (72) Inventors; and
- (75) Inventors/Applicants (for US only): **SIMMONS, Louis, P.** [US/US]; 12844 Prang Street, Jones, MI 49061 (US). **HAMILTON, James, L.** [US/US]; 2004 E. Main Street, Lot 3, Niles, MI 49120 (US). **MAFFETONE, Gerald, J.** [US/US]; 50646 Elk Trail, Granger, IN 46530 (US).
- (74) Agents: **MORANO, Michael, F.** et al.; Chau & Associates, LLC, 130 Woodbury Road, Woodbury, NY 11797 (US).

- (81) Designated States (unless otherwise indicated, for every kind of national protection available): AE, AG, AL, AM, AT, AU, AZ, BA, BB, BG, BR, BW, BY, BZ, CA, CH, CN, CO, CR, CU, CZ, DE, DK, DM, DZ, EC, EE, EG, ES, FI, GB, GD, GE, GH, GM, HR, HU, ID, IL, IN, IS, JP, KE, KG, KM, KP, KR, KZ, LC, LK, LR, LS, LT, LU, LV, MA, MD, MG, MK, MN, MW, MX, MZ, NA, NG, NI, NO, NZ, OM, PG, PH, PL, PT, RO, RU, SC, SD, SE, SG, SK, SL, SM, SY, TJ, TM, TN, TR, TT, TZ, UA, UG, US, UZ, VC, VN, YU, ZA, ZM, ZW.
- (84) Designated States (unless otherwise indicated, for every kind of regional protection available): ARIPO (BW, GH, GM, KE, LS, MW, MZ, NA, SD, SL, SZ, TZ, UG, ZM, ZW), Eurasian (AM, AZ, BY, KG, KZ, MD, RU, TJ, TM), European (AT, BE, BG, CH, CY, CZ, DE, DK, EE, ES, FI, FR, GB, GR, HU, IE, IS, IT, LT, LU, LV, MC, NL, PL, PT, RO, SE, SI, SK, TR), OAPI (BF, BJ, CF, CG, CI, CM, GA, GN, GQ, GW, ML, MR, NE, SN, TD, TG).

- Published:**
- with international search report
  - before the expiration of the time limit for amending the claims and to be republished in the event of receipt of amendments

[Continued on next page]

(54) Title: VIDEO DISPLAY MOUNTING SYSTEM AND METHOD



(57) Abstract: A display panel mounting system comprises a mounting base having at least one pin, and a mating mechanism coupled to a display panel for coupling to the mounting base. The mating mechanism comprises a first plate fixed to the display panel comprising a pair of prongs having an opening for receiving the pin of the mounting base, and a second plate movable coupled to the first plate, comprising a latch for securing the pin between the pair of prongs of the first plate.

WO 2006/020844 A3



---

**(88) Date of publication of the international search report:**

19 April 2007

*For two-letter codes and other abbreviations, refer to the "Guidance Notes on Codes and Abbreviations" appearing at the beginning of each regular issue of the PCT Gazette.*

# INTERNATIONAL SEARCH REPORT

International application No.

PCT/US05/28702

**A. CLASSIFICATION OF SUBJECT MATTER**

IPC: **G06F 1/16(2007.01)**

USPC: 361/681

According to International Patent Classification (IPC) or to both national classification and IPC

**B. FIELDS SEARCHED**

Minimum documentation searched (classification system followed by classification symbols)  
U.S. : 361/681

Documentation searched other than minimum documentation to the extent that such documents are included in the fields searched

Electronic data base consulted during the international search (name of data base and, where practicable, search terms used)

**C. DOCUMENTS CONSIDERED TO BE RELEVANT**

Category *	Citation of document, with indication, where appropriate, of the relevant passages	Relevant to claim No.
A	US 6,758,521 B2 (Imamura et al.) 06 July 2004 (06.07.2004), whole	297/217.3
A	US 5,917,435 (Kamiya et al) 29 June 1999 (29.06.1999), whole	340/995.26
A	US 5,822,023 (Suman et al) 13 October 1998 (13.10.1998), Whole	348/837
A	US 6,926,329 B2 (Neumann et al) 09 August 2005 (09.08.2005), whole	296/24.34
A	US 5,644,471 (Schultz et al) 01 July 1997 (01.07.1997), whole	361/686
A	US 5,611,513 (Rosen, John B.) 18 March 1997 (18.03.1997), whole	248/222.11
A	US 2005/0146844 A1 (Hussaini et al) 07 July 2005 (07.07.2005), whole	361/681

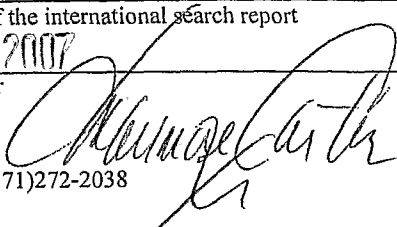


Further documents are listed in the continuation of Box C.



See patent family annex.

* Special categories of cited documents:	"T"	later document published after the international filing date or priority date and not in conflict with the application but cited to understand the principle or theory underlying the invention
"A" document defining the general state of the art which is not considered to be of particular relevance	"X"	document of particular relevance; the claimed invention cannot be considered novel or cannot be considered to involve an inventive step when the document is taken alone
"E" earlier application or patent published on or after the international filing date	"Y"	document of particular relevance; the claimed invention cannot be considered to involve an inventive step when the document is combined with one or more other such documents, such combination being obvious to a person skilled in the art
"L" document which may throw doubts on priority claim(s) or which is cited to establish the publication date of another citation or other special reason (as specified)	"&"	document member of the same patent family
"O" document referring to an oral disclosure, use, exhibition or other means		
"P" document published prior to the international filing date but later than the priority date claimed		

Date of the actual completion of the international search 05 December 2006 (05.12.2006)	Date of mailing of the international search report <b>23 FEB 2007</b>
Name and mailing address of the ISA/US Mail Stop PCT, Attn: ISA/US Commissioner for Patents P.O. Box 1450 Alexandria, Virginia 22313-1450 Facsimile No. (571) 273-3201	Authorized officer Yean-Hsi Chang  Telephone No. (571)272-2038

INTERNATIONAL SEARCH REPORT

International application No.  
PCT/US05/28702

C. (Continuation) DOCUMENTS CONSIDERED TO BE RELEVANT

Category *	Citation of document, with indication, where appropriate, of the relevant passages	Relevant to claim No.
A	US 2004/0227861 A1(Schedivy, George C.) 18 November 2004 (18.11.2004), whole	348/837

# INTERNATIONAL SEARCH REPORT

International application No.

PCT/US05/28702

## Box No. II Observations where certain claims were found unsearchable (Continuation of item 2 of first sheet)

This international search report has not been established in respect of certain claims under Article 17(2)(a) for the following reasons:

1.  Claims Nos.:  
because they relate to subject matter not required to be searched by this Authority, namely:
  
2.  Claims Nos.:  
because they relate to parts of the international application that do not comply with the prescribed requirements to such an extent that no meaningful international search can be carried out, specifically:
  
3.  Claims Nos.:  
because they are dependent claims and are not drafted in accordance with the second and third sentences of Rule 6.4(a).

## Box No. III Observations where unity of invention is lacking (Continuation of item 3 of first sheet)

This International Searching Authority found multiple inventions in this international application, as follows:  
Claims 1-4, drawn to sort of business handling matters, and Claims 5-17, drawn to support of displays. The inventions are distinct, each from the other.

1.  As all required additional search fees were timely paid by the applicant, this international search report covers all searchable claims.
  2.  As all searchable claims could be searched without effort justifying additional fees, this Authority did not invite payment of any additional fees.
  3.  As only some of the required additional search fees were timely paid by the applicant, this international search report covers only those claims for which fees were paid, specifically claims Nos.:
  
  4.  No required additional search fees were timely paid by the applicant. Consequently, this international search report is restricted to the invention first mentioned in the claims; it is covered by claims Nos.:
- Remark on Protest**
- The additional search fees were accompanied by the applicant's protest and, where applicable, the payment of a protest fee.
  - The additional search fees were accompanied by the applicant's protest but the applicable protest fee was not paid within the time limit specified in the invitation.
  - No protest accompanied the payment of additional search fees.