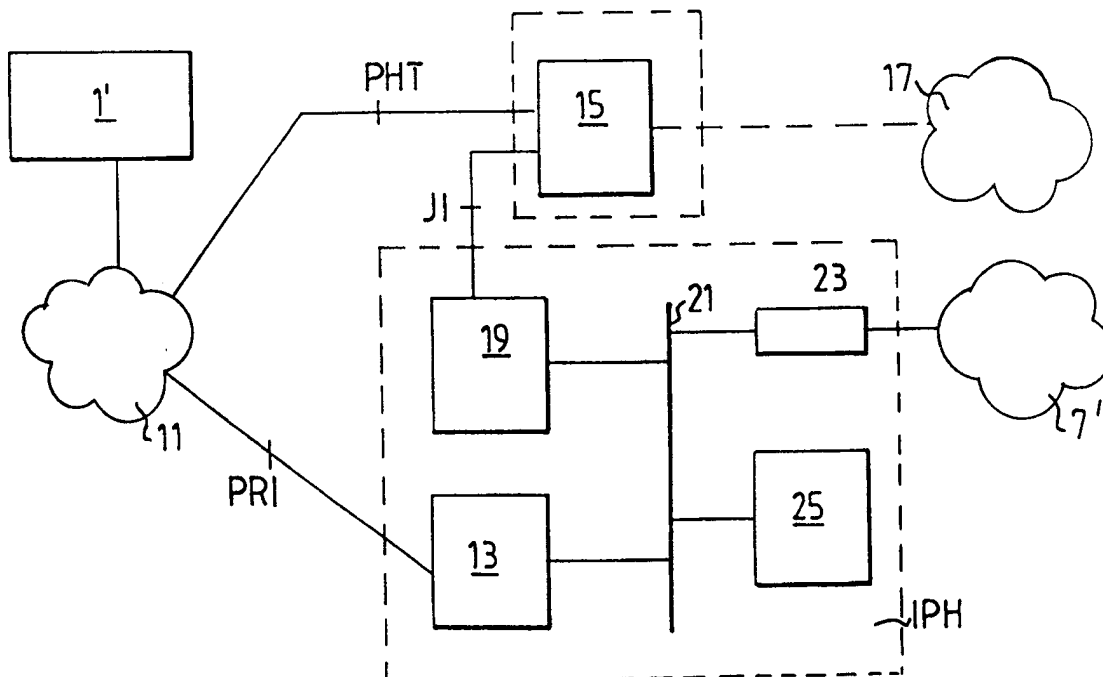




INTERNATIONAL APPLICATION PUBLISHED UNDER THE PATENT COOPERATION TREATY (PCT)

| | | |
|---------------------------------------------------------------------------------------------------------------------------------------------------------------------------------------------------------------------------------------------------------------------------------------------------------------------------------------------------------------------------------------------------------------------------------------------------------------------------------------------------------------------------------------------------------------------------------------------------------------------------|---------------------------------------------------------------------------------------------------------------------------------------------------------------------------------------------------------------------------------------------------------------------------------------------------------------------------------------------------------------------------------------------------------------------------------------------------------------------------------------------------------------------------------------------------------------------------------------------------------------------------------------------------------------------------------------------------------------------------------------------------------------|---------------------------------------------------------------------------------------------------------------------------------------|
| <p>(51) International Patent Classification ⁶ : H04Q 11/04</p> | <p>A3</p> | <p>(11) International Publication Number: WO 98/50982 (43) International Publication Date: 12 November 1998 (12.11.98)</p> |
| <p>(21) International Application Number: PCT/SE98/00824 (22) International Filing Date: 5 May 1998 (05.05.98) (30) Priority Data: 9701716-4 7 May 1997 (07.05.97) SE (71) Applicants (for all designated States except US): TELEFON-AKTIEBOLAGET LM ERICSSON (publ) [SE/SE]; S-126 25 Stockholm (SE). TELIA AB [SE/SE]; S-123 86 Farsta (SE). (72) Inventor; and (75) Inventor/Applicant (for US only): ABRAHAMSSON, Leif [SE/SE]; Näsbydalsvägen 16, S-183 31 Täby (SE). (74) Agents: HERBJØRNSEN, Rut et al.; Albihns Patentbyrå Stockholm AB, P.O. Box 3137, S-103 62 Stockholm (SE).</p> | <p>(81) Designated States: AL, AM, AT, AU, AZ, BA, BB, BG, BR, BY, CA, CH, CN, CU, CZ, DE, DK, EE, ES, FI, GB, GE, GH, GM, GW, HU, ID, IL, IS, JP, KE, KG, KP, KR, KZ, LC, LK, LR, LS, LT, LU, LV, MD, MG, MK, MN, MW, MX, NO, NZ, PL, PT, RO, RU, SD, SE, SG, SI, SK, SL, TJ, TM, TR, TT, UA, UG, US, UZ, VN, YU, ZW, ARIPO patent (GH, GM, KE, LS, MW, SD, SZ, UG, ZW), Eurasian patent (AM, AZ, BY, KG, KZ, MD, RU, TJ, TM), European patent (AT, BE, CH, CY, DE, DK, ES, FI, FR, GB, GR, IE, IT, LU, MC, NL, PT, SE), OAPI patent (BF, BJ, CF, CG, CI, CM, GA, GN, ML, MR, NE, SN, TD, TG).</p> <p>Published With international search report.</p> <p>(88) Date of publication of the international search report: 4 February 1999 (04.02.99)</p> | |

(54) Title: METHOD AND APPARATUS FOR ALLOWING PERMANENT OR SEMI-PERMANENT CONNECTION TO A DATA NETWORK USING AN ISDN CONNECTION



(57) Abstract

A method and an apparatus are described which will allow an Integrated Services Digital Network (ISDN) subscriber to establish a permanent or semi-permanent connection to a data network using the D channel as a low-speed, low-cost connection. This enables the subscriber to perform non-interactive searches, for example, on the Internet, and to act as a content provider (host) in the network.

FOR THE PURPOSES OF INFORMATION ONLY

Codes used to identify States party to the PCT on the front pages of pamphlets publishing international applications under the PCT.

| | | | | | | | |
|-----------|--------------------------|-----------|------------------------------------------|-----------|----------------------------------------------|-----------|--------------------------|
| AL | Albania | ES | Spain | LS | Lesotho | SI | Slovenia |
| AM | Armenia | FI | Finland | LT | Lithuania | SK | Slovakia |
| AT | Austria | FR | France | LU | Luxembourg | SN | Senegal |
| AU | Australia | GA | Gabon | LV | Latvia | SZ | Swaziland |
| AZ | Azerbaijan | GB | United Kingdom | MC | Monaco | TD | Chad |
| BA | Bosnia and Herzegovina | GE | Georgia | MD | Republic of Moldova | TG | Togo |
| BB | Barbados | GH | Ghana | MG | Madagascar | TJ | Tajikistan |
| BE | Belgium | GN | Guinea | MK | The former Yugoslav Republic of Macedonia | TM | Turkmenistan |
| BF | Burkina Faso | GR | Greece | | | TR | Turkey |
| BG | Bulgaria | HU | Hungary | ML | Mali | TT | Trinidad and Tobago |
| BJ | Benin | IE | Ireland | MN | Mongolia | UA | Ukraine |
| BR | Brazil | IL | Israel | MR | Mauritania | UG | Uganda |
| BY | Belarus | IS | Iceland | MW | Malawi | US | United States of America |
| CA | Canada | IT | Italy | MX | Mexico | UZ | Uzbekistan |
| CF | Central African Republic | JP | Japan | NE | Niger | VN | Viet Nam |
| CG | Congo | KE | Kenya | NL | Netherlands | YU | Yugoslavia |
| CH | Switzerland | KG | Kyrgyzstan | NO | Norway | ZW | Zimbabwe |
| CI | Côte d'Ivoire | KP | Democratic People's Republic of Korea | NZ | New Zealand | | |
| CM | Cameroon | | Republic of Korea | PL | Poland | | |
| CN | China | KR | Republic of Korea | PT | Portugal | | |
| CU | Cuba | KZ | Kazakstan | RO | Romania | | |
| CZ | Czech Republic | LC | Saint Lucia | RU | Russian Federation | | |
| DE | Germany | LI | Liechtenstein | SD | Sudan | | |
| DK | Denmark | LK | Sri Lanka | SE | Sweden | | |
| EE | Estonia | LR | Liberia | SG | Singapore | | |

INTERNATIONAL SEARCH REPORT

International application No.
PCT/SE 98/00824

A. CLASSIFICATION OF SUBJECT MATTER

IPC6: H04Q 11/04

According to International Patent Classification (IPC) or to both national classification and IPC

B. FIELDS SEARCHED

Minimum documentation searched (classification system followed by classification symbols)

IPC6: H04Q

Documentation searched other than minimum documentation to the extent that such documents are included in the fields searched

SE,DK,FI,NO classes as above

Electronic data base consulted during the international search (name of data base and, where practicable, search terms used)

EDOC, WPIL

C. DOCUMENTS CONSIDERED TO BE RELEVANT

| Category* | Citation of document, with indication, where appropriate, of the relevant passages | Relevant to claim No. |
|-----------|-----------------------------------------------------------------------------------------------------------------------------------------|-----------------------|
| A | GB 2269077 A (INTERNATIONAL BUSINESS MACHINES CORPORATION), 26 January 1994 (26.01.94), page 1, paragraph 3 - page 2, paragraph 2 -- | 1-11 |
| A | US 5450402 A (TOSHIFUMI SHOBU), 12 Sept 1995 (12.09.95), column 3, line 3 - line 31; column 5, line 35 - column 8, line 14 -- | 1-11 |
| A | EP 0496245 A2 (TOKYO ELECTRIC CO., LTD.), 29 July 1992 (29.07.92), column 3, line 17 - column 6, line 27 -- | 1-11 |

 Further documents are listed in the continuation of Box C. See patent family annex.

* Special categories of cited documents:

"A" document defining the general state of the art which is not considered to be of particular relevance

"E" earlier document but published on or after the international filing date

"L" document which may throw doubts on priority claim(s) or which is cited to establish the publication date of another citation or other special reason (as specified)

"O" document referring to an oral disclosure, use, exhibition or other means

"P" document published prior to the international filing date but later than the priority date claimed

"T" later document published after the international filing date or priority date and not in conflict with the application but cited to understand the principle or theory underlying the invention

"X" document of particular relevance: the claimed invention cannot be considered novel or cannot be considered to involve an inventive step when the document is taken alone

"Y" document of particular relevance: the claimed invention cannot be considered to involve an inventive step when the document is combined with one or more other such documents, such combination being obvious to a person skilled in the art

"&" document member of the same patent family

Date of the actual completion of the international search

25 November 1998

Date of mailing of the international search report

27-11-1998

Name and mailing address of the ISA/
Swedish Patent Office
Box 5055, S-102 42 STOCKHOLM
Facsimile No. +46 8 666 02 86

Authorized officer

Erik Johannesson
Telephone No. +46 8 782 25 00

INTERNATIONAL SEARCH REPORT

International application No.

PCT/SE 98/00824

| C (Continuation). DOCUMENTS CONSIDERED TO BE RELEVANT | | |
|-------------------------------------------------------|---------------------------------------------------------------------------------------------------------------------|-----------------------|
| Category* | Citation of document, with indication, where appropriate, of the relevant passages | Relevant to claim No. |
| A | US 5442630 A (UGO O. GAGLIARDI ET AL), 15 August 1995 (15.08.95), claims 1-14 -- | 1-11 |
| A | EP 0596698 A2 (CANON KABUSHIKI KAISHA), 11 May 1994 (11.05.94), claims 10-11,13-18 -- | 1-11 |
| A | US 5587999 A (KOJI ENDO), 24 December 1996 (24.12.96), column 8, line 60 - column 16, line 55 -- ----- | 1-11 |

INTERNATIONAL SEARCH REPORT

Information on patent family members

03/11/98

International application No.

PCT/SE 98/00824

| Patent document cited in search report | Publication date | Patent family member(s) | Publication date |
|----------------------------------------|------------------|-------------------------------------------------------------|----------------------------------------------|
| GB 2269077 A | 26/01/94 | EP 0580282 A JP 2502457 B JP 6224968 A | 26/01/94 29/05/96 12/08/94 |
| US 5450402 A | 12/09/95 | JP 6291762 A | 18/10/94 |
| EP 0496245 A2 | 29/07/92 | JP 4240966 A | 28/08/92 |
| US 5442630 A | 15/08/95 | JP 9509020 T CA 2109633 A NZ 242530 A WO 9221189 A | 09/09/97 26/11/92 28/03/95 26/11/92 |
| EP 0596698 A2 | 11/05/94 | JP 6152595 A US 5774654 A | 31/05/94 30/06/98 |
| US 5587999 A | 24/12/96 | JP 8056239 A | 27/02/96 |