



US00D360574S

United States Patent [19]

[11] Patent Number: **Des. 360,574**

Oda et al.

[45] Date of Patent: **** Jul. 25, 1995**

[54] **SURFACE FASTENER WITH ELASTIC DOUBLE HOOK FOR FASTENING PLATELIKE ARTICLE**

4,709,453 12/1987 Harvey et al. 24/306 X
4,920,617 5/1990 Higashinaka 24/442
5,058,245 10/1991 Saito 24/442 X

[75] Inventors: **Kiyoshi Oda; Ryuichi Murasaki**, both of Toyama, Japan

Primary Examiner—Terry A. Wallace
Assistant Examiner—Nanda Bondade
Attorney, Agent, or Firm—Hill, Steadman & Simpson

[73] Assignee: **Yoshida Kogyo K.K.**, Tokyo, Japan

[57] **CLAIM**

[**] Term: **14 Years**

The ornamental design for surface fastener with elastic double hook for fastening platelike article, as shown and described.

[21] Appl. No.: **7,166**

[22] Filed: **Apr. 19, 1993**

[52] U.S. Cl. **D8/382**

[58] Field of Search **D8/382; D25/125, 122; 24/306, 442; 411/500**

DESCRIPTION

FIG. 1 is a top plan view of a surface fastener with elastic double hook for fastening platelike article showing our new design;

FIG. 2 is a front elevational view thereof the rear elevational view is identical to FIG. 2;

FIG. 3 is a bottom elevational view thereof;

FIG. 4 is a right side elevational view thereof;

FIG. 5 is a left side elevational view thereof;

FIG. 6 is a cross-sectional view taken along the line 6—6 of FIG. 2; and,

FIG. 7 is a perspective view thereof.

[56] **References Cited**

U.S. PATENT DOCUMENTS

D. 209,329	11/1967	Coderre et al.	D8/382
D. 234,337	2/1975	Block	D8/382
D. 240,589	7/1976	Cooper	D8/382
D. 337,661	7/1993	Goodman	D25/125 X
3,905,071	9/1975	Burmlik	24/306 X

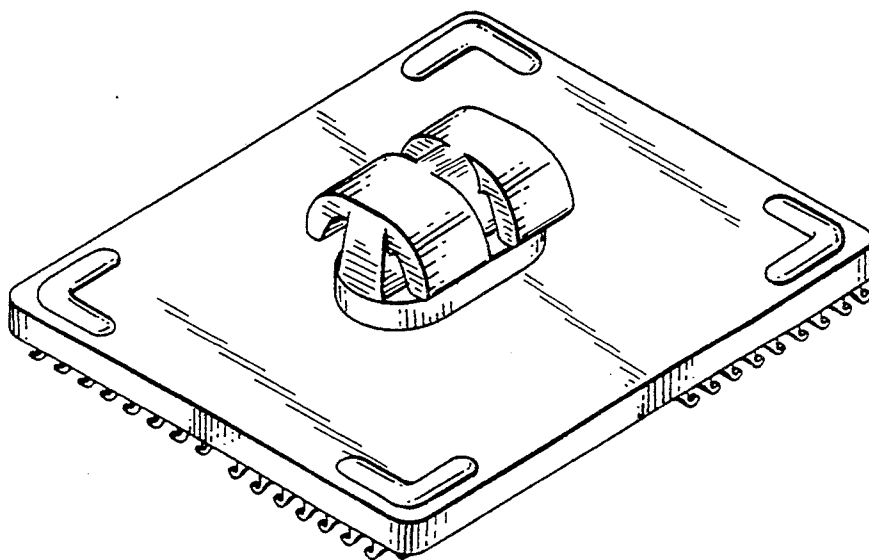


FIG. 1

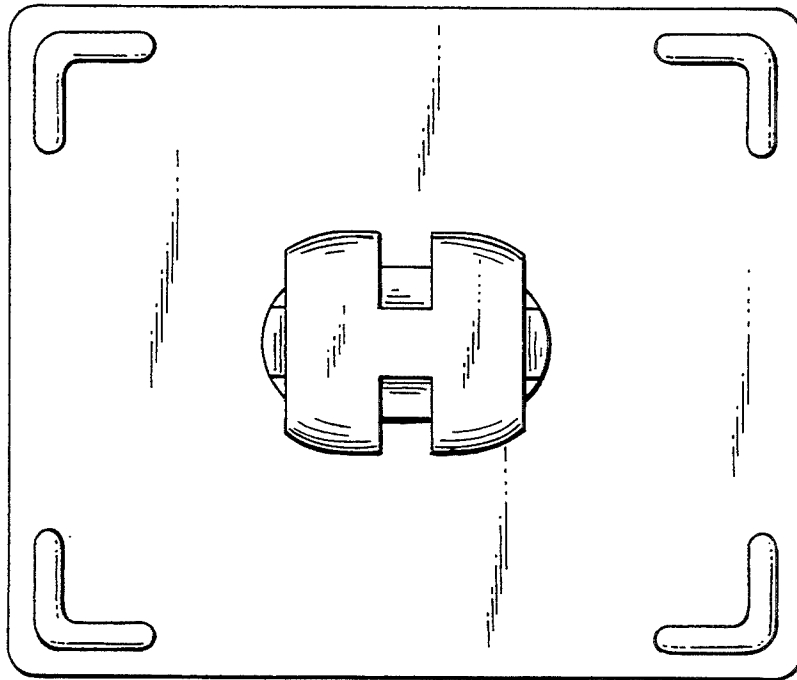


FIG. 2

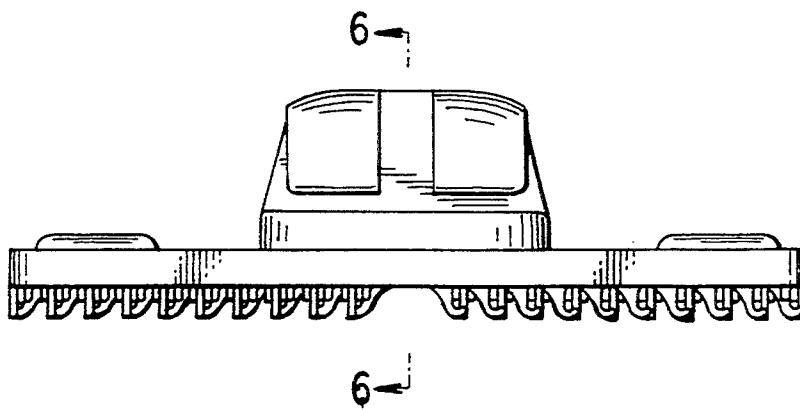


FIG. 3

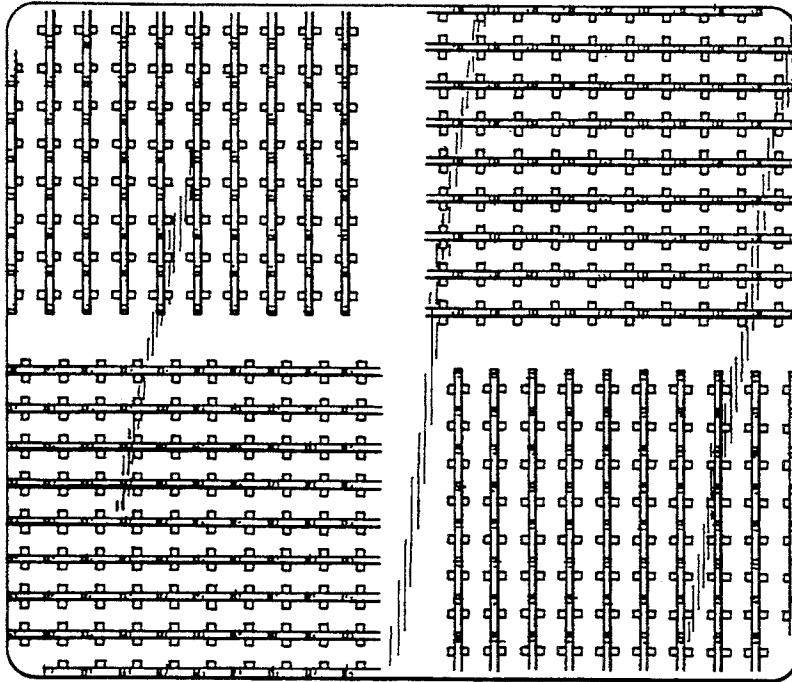


FIG. 4

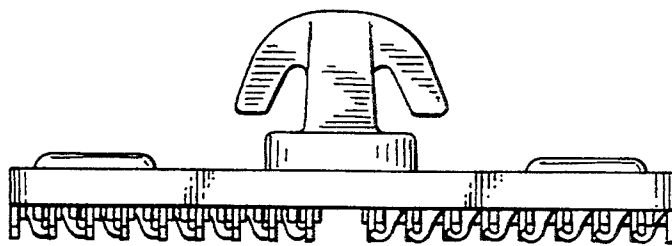


FIG. 5

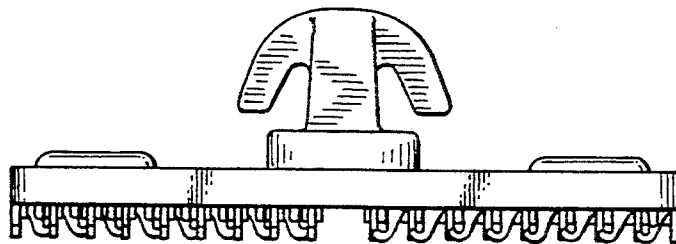


FIG. 6

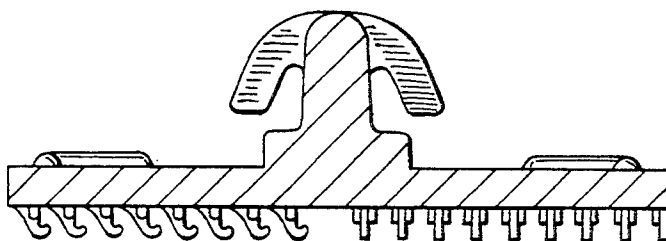


FIG. 7

