



US00D718072S

(12) **United States Design Patent**
Bahler

(10) **Patent No.:** **US D718,072 S**

(45) **Date of Patent:** **** Nov. 25, 2014**

(54) **TOOTHBRUSH TUMBLER HOLDER**

(71) Applicant: **Masco Corporation of Indiana,**
Indianapolis, IN (US)

(72) Inventor: **Jordan Renee Bahler,** Westfield, IN
(US)

(73) Assignee: **Masco Corporation of Indiana,**
Indianapolis, IN (US)

(**) Term: **14 Years**

(21) Appl. No.: **29/495,032**

(22) Filed: **Jun. 26, 2014**

(51) **LOC (10) Cl.** **23-02**

(52) **U.S. Cl.**

USPC **D6/534; D6/528**

(58) **Field of Classification Search**

USPC D6/524, 526, 527, 528, 534; 206/208,
206/228, 209, 209.1, 361, 362, 362.1,
206/362.2, 362.3; 211/13.1, 66, 70.6,
211/86.01, 87.01; D7/701, 635, 637

See application file for complete search history.

(56) **References Cited**

U.S. PATENT DOCUMENTS

D561,509 S *	2/2008	Starck et al.	D6/534
D567,558 S *	4/2008	Rubin	D6/534
D625,942 S *	10/2010	Yang et al.	D6/528
D634,139 S *	3/2011	Volk	D6/534
D687,246 S *	8/2013	Rodriguez	D6/534
D701,394 S *	3/2014	Lin	D6/534

* cited by examiner

Primary Examiner — Brian N Vinson

(74) *Attorney, Agent, or Firm* — Edgar A. Zarins; Nirav D. Parikh

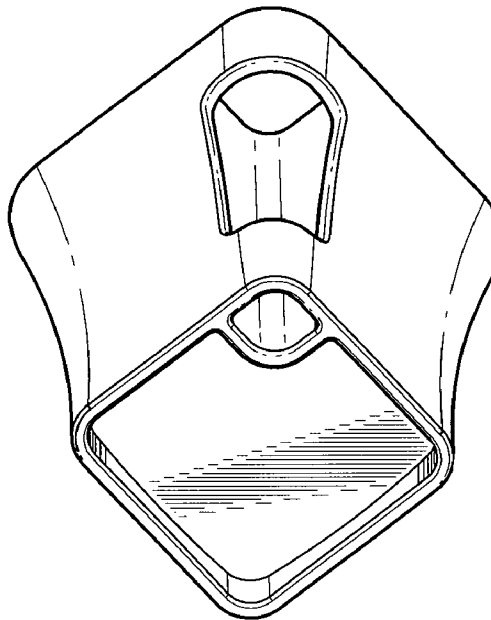
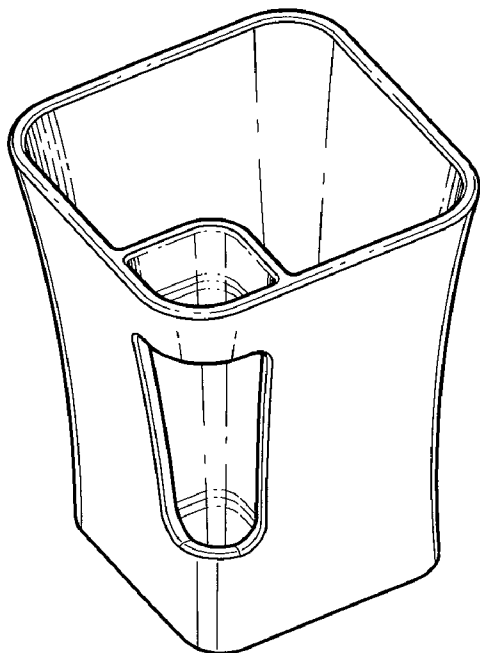
(57) **CLAIM**

The ornamental design for a toothbrush tumbler holder, as shown and described.

DESCRIPTION

FIG. 1 is a perspective view of a toothbrush tumbler holder showing my new design;
FIG. 2 is a second perspective view thereof;
FIG. 3 is a bottom perspective view thereof;
FIG. 4 is a top plan view thereof;
FIG. 5 is a first side view thereof;
FIG. 6 is a bottom view thereof;
FIG. 7 is a second side view thereof; and,
FIG. 8 is a third side view thereof.

1 Claim, 2 Drawing Sheets



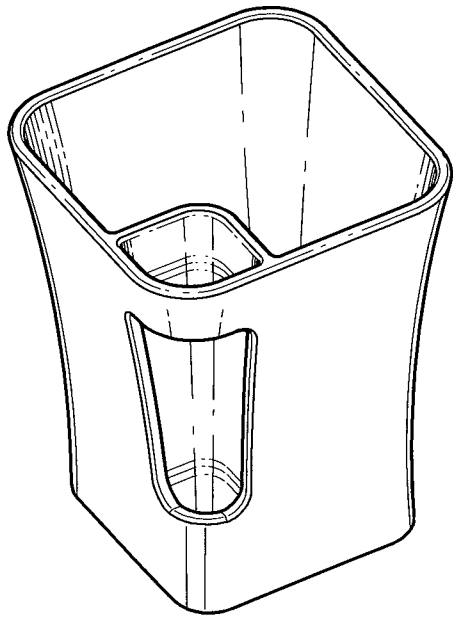


Fig-1

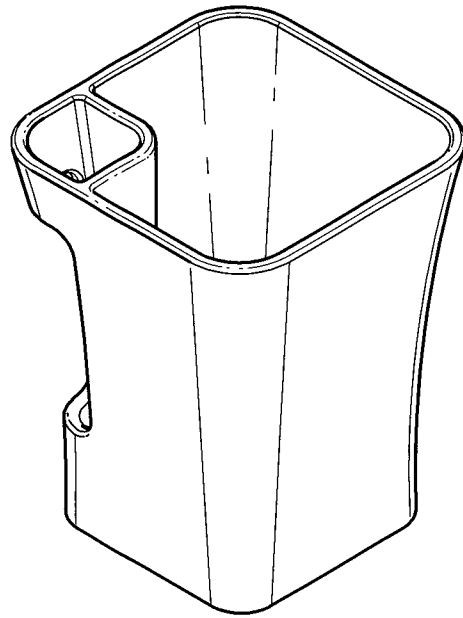


Fig-2

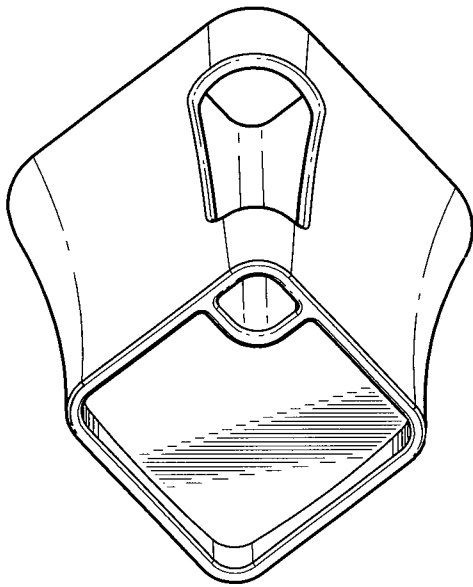


Fig-3

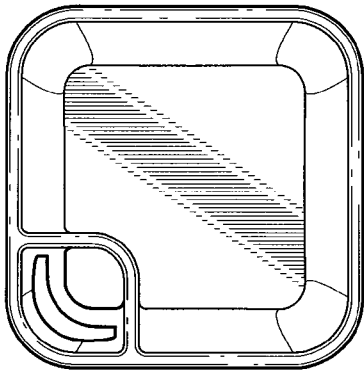


Fig-4

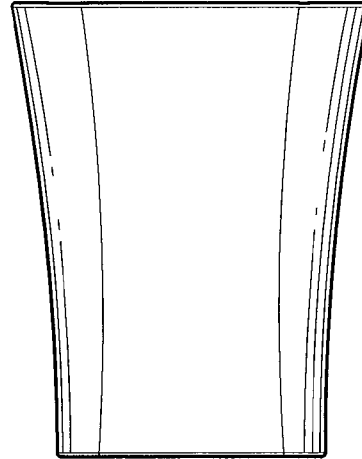


Fig-7

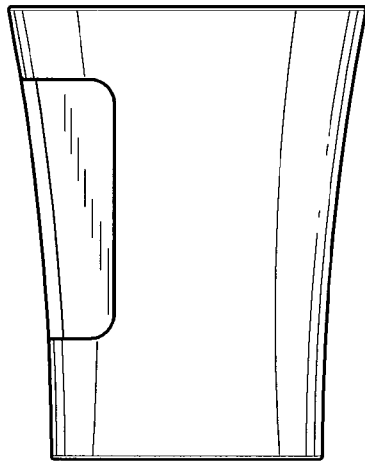


Fig-5

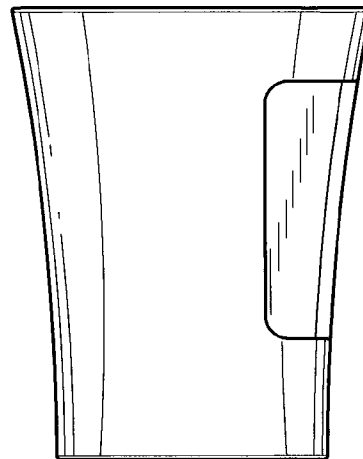


Fig-8

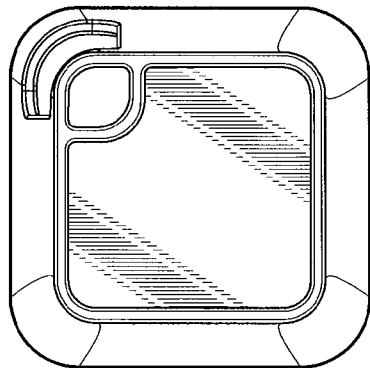


Fig-6